



US00D845530S

(12) **United States Design Patent**
Yu

(10) **Patent No.:** **US D845,530 S**

(45) **Date of Patent:** **** Apr. 9, 2019**

(54) **LED WASHER EFFECT LIGHT**

(71) Applicant: **Hanjun Yu**, Hainan (CN)

(72) Inventor: **Hanjun Yu**, Hainan (CN)

(**) Term: **15 Years**

(21) Appl. No.: **29/627,633**

(22) Filed: **Nov. 29, 2017**

(51) **LOC (11) Cl.** **26-03**

(52) **U.S. Cl.**
USPC **D26/63**

(58) **Field of Classification Search**
USPC D26/1, 24, 61, 63, 65, 85, 92
CPC F21V 21/14; F21V 15/01; F21V 14/02;
F21V 21/30; F21V 21/00; F21V 14/00;
F21S 8/00; F21S 8/003; F21S 8/043;
F21Y 2105/001
See application file for complete search history.

(56) **References Cited**

U.S. PATENT DOCUMENTS

D417,024 S * 11/1999 Stuyfzand D26/63
D548,868 S * 8/2007 Roberge D26/63

D587,833 S * 3/2009 Bina D26/63
D625,036 S * 10/2010 Ying D26/63
D634,871 S * 3/2011 Wooh D26/63
D730,555 S * 5/2015 Gebhard D26/63
D815,769 S * 4/2018 Gong D26/63
D825,806 S * 8/2018 Jurik D26/63
D828,601 S * 9/2018 Hu D26/63

* cited by examiner

Primary Examiner — Brian N. Vinson

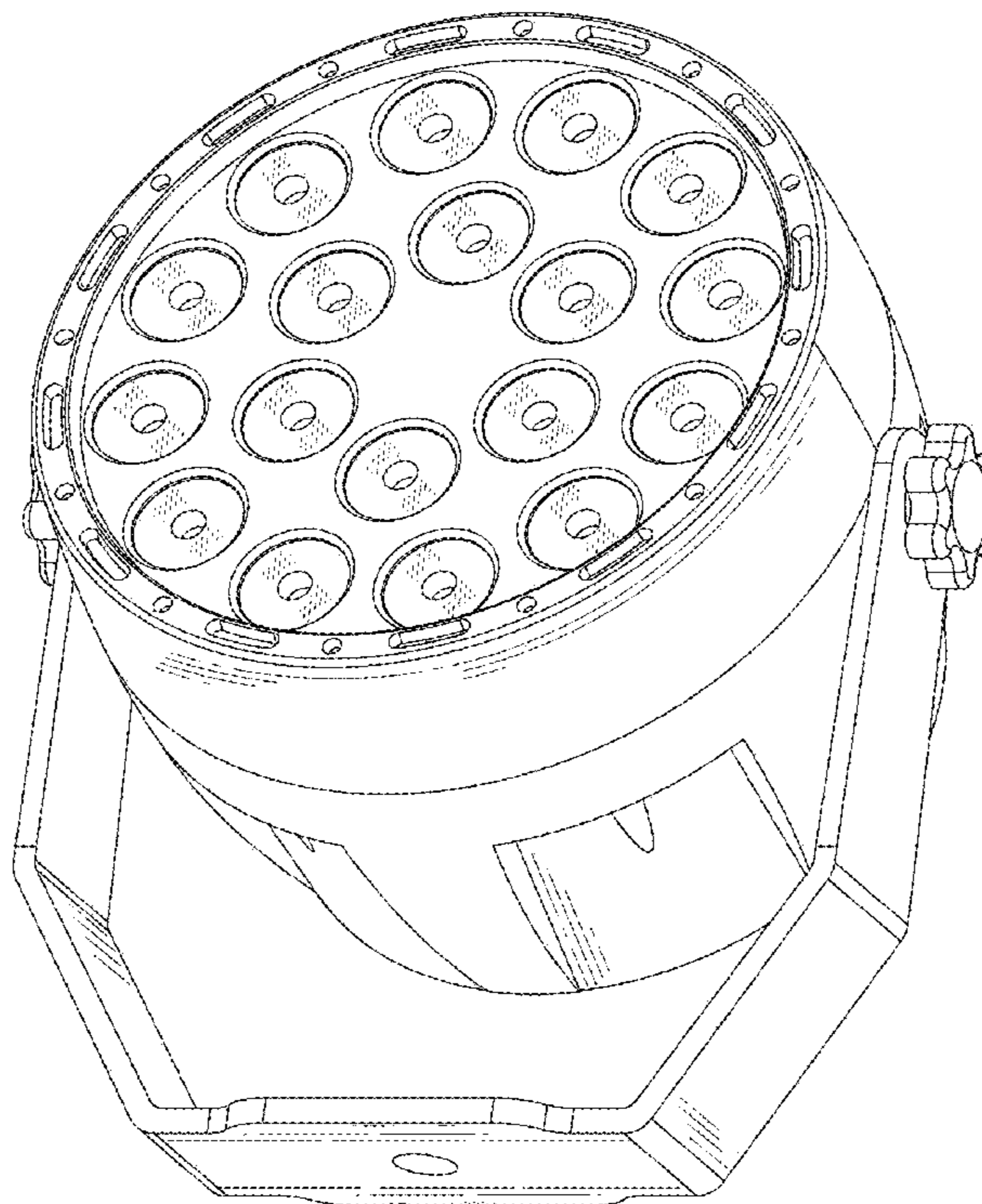
(57) **CLAIM**

The ornamental design for a LED washer effect light, as shown and described.

DESCRIPTION

FIG. 1 is a perspective view of a LED washer effect light showing my new design;
FIG. 2 is a front elevational view thereof;
FIG. 3 is a rear elevational view thereof;
FIG. 4 is a left side elevational view thereof;
FIG. 5 is a right side elevational view thereof;
FIG. 6 is a top plan view thereof; and,
FIG. 7 is a bottom plan view thereof.

1 Claim, 7 Drawing Sheets



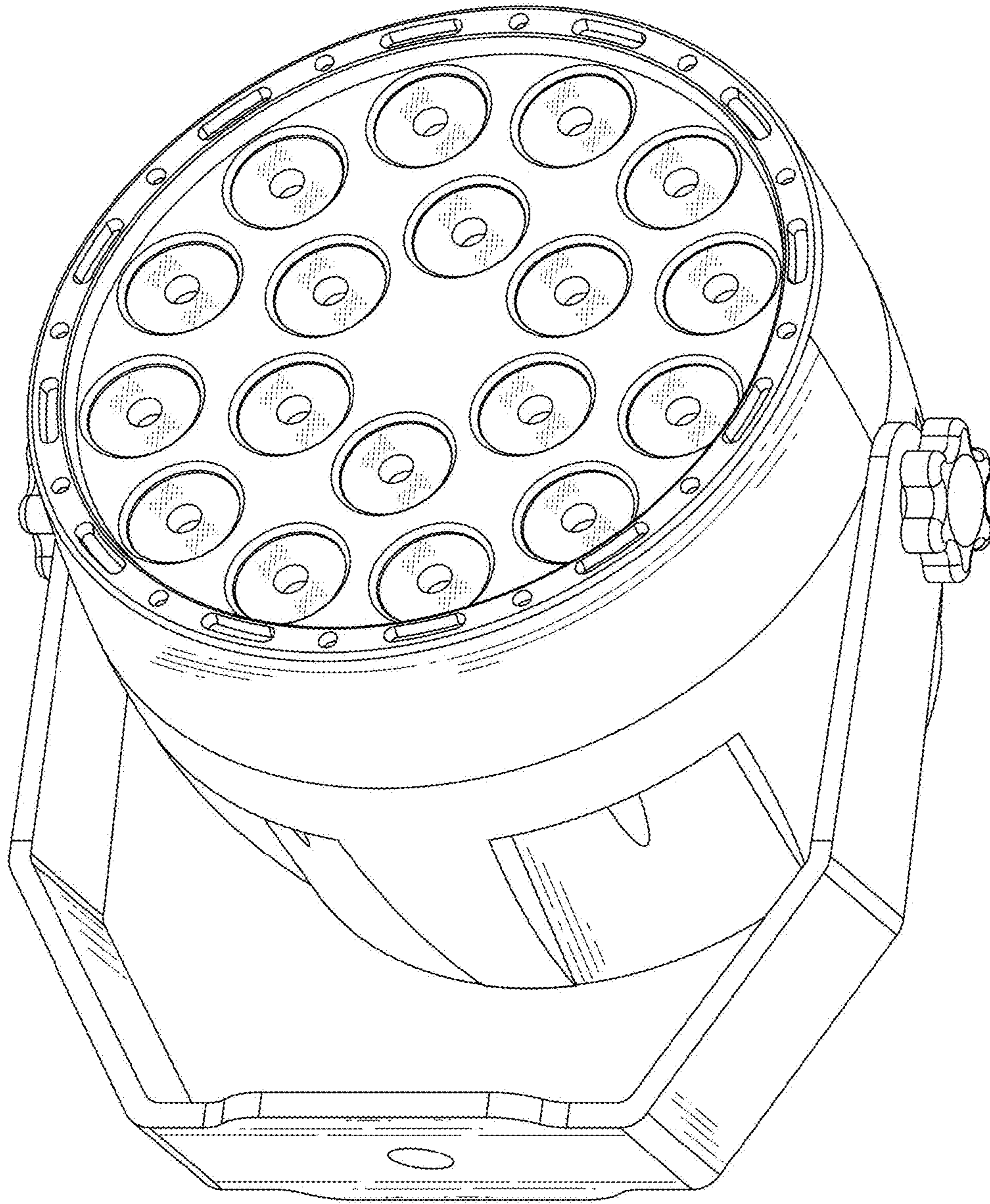


FIG.1

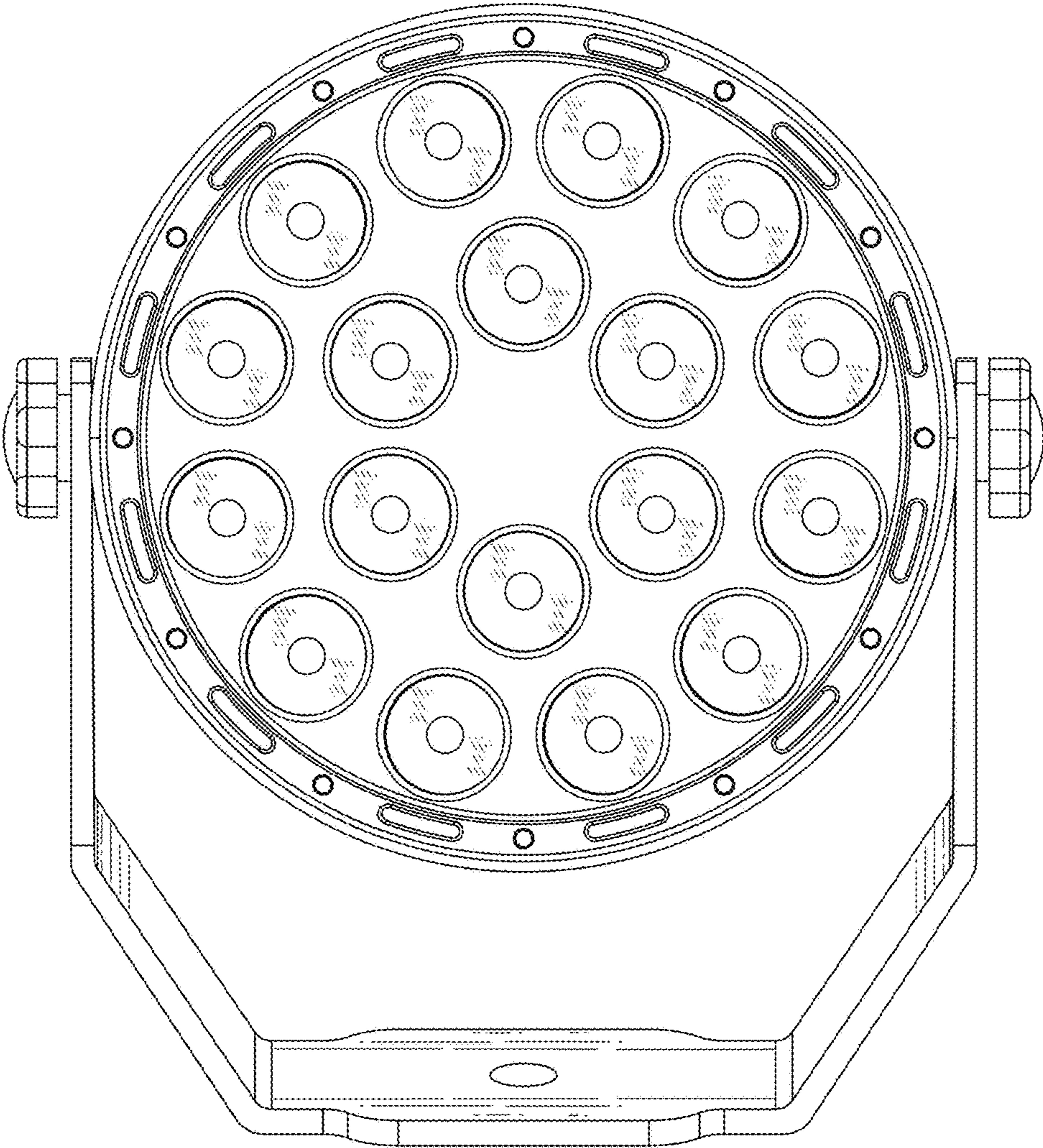


FIG.2

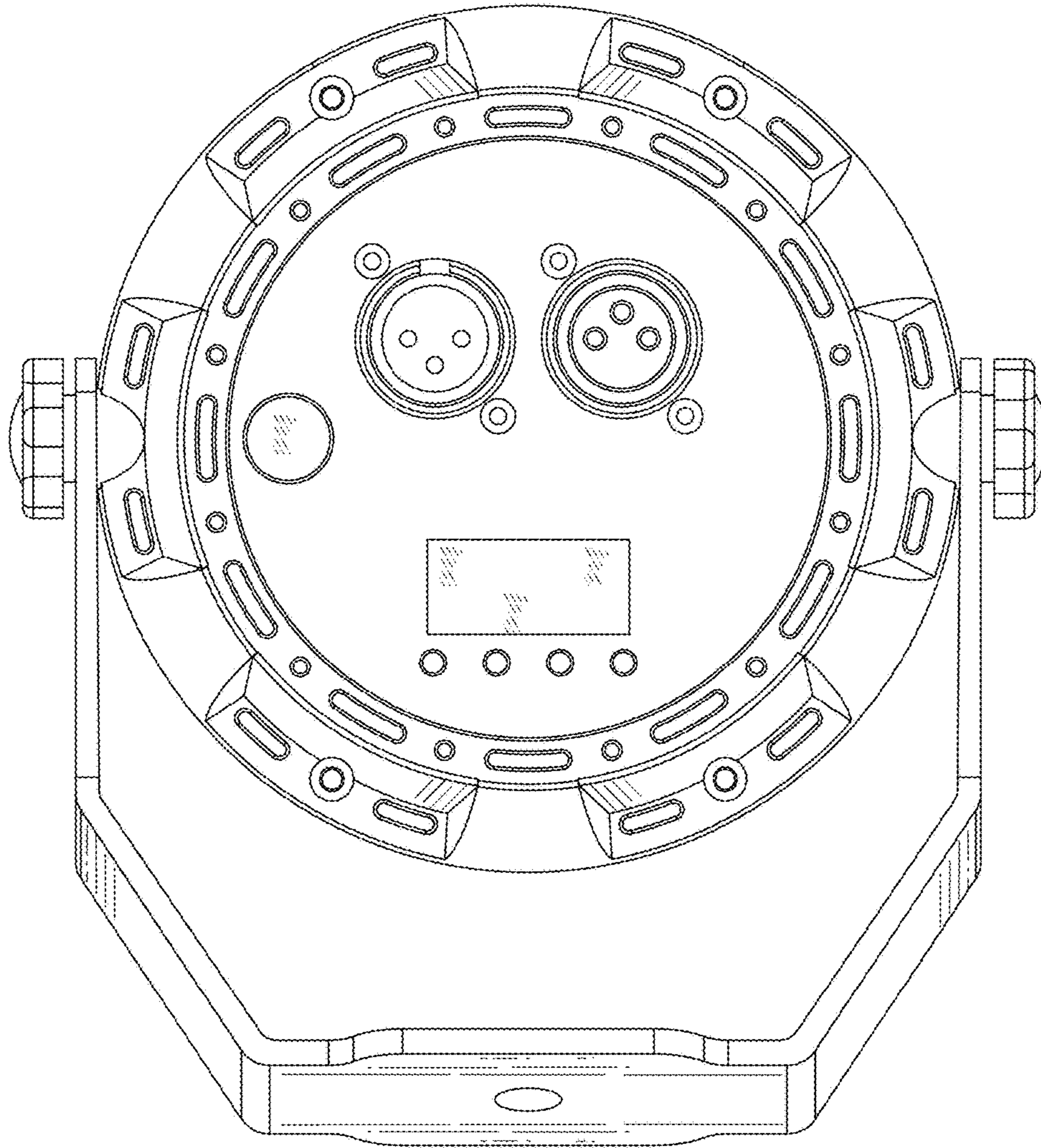


FIG.3

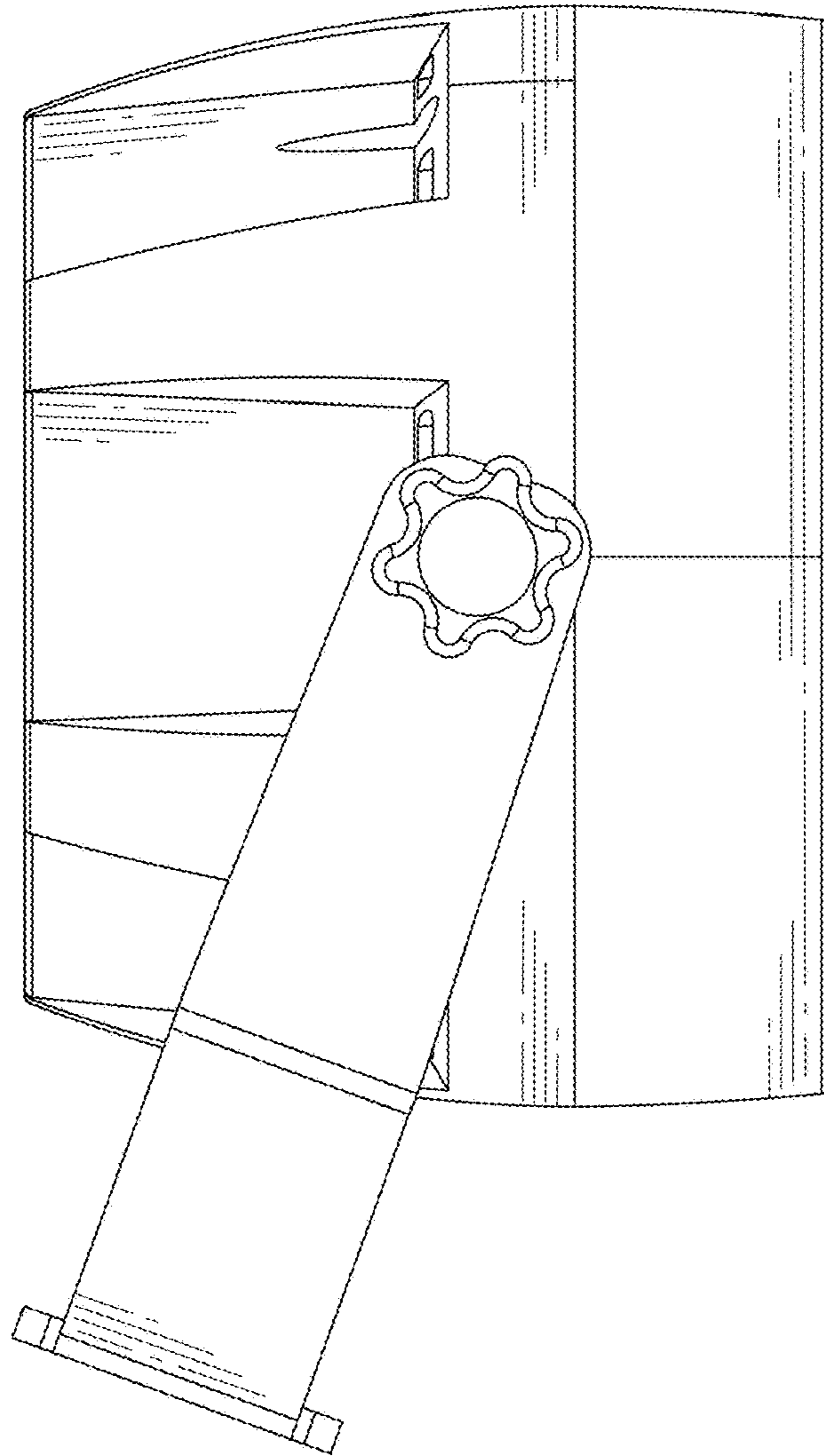


FIG.4

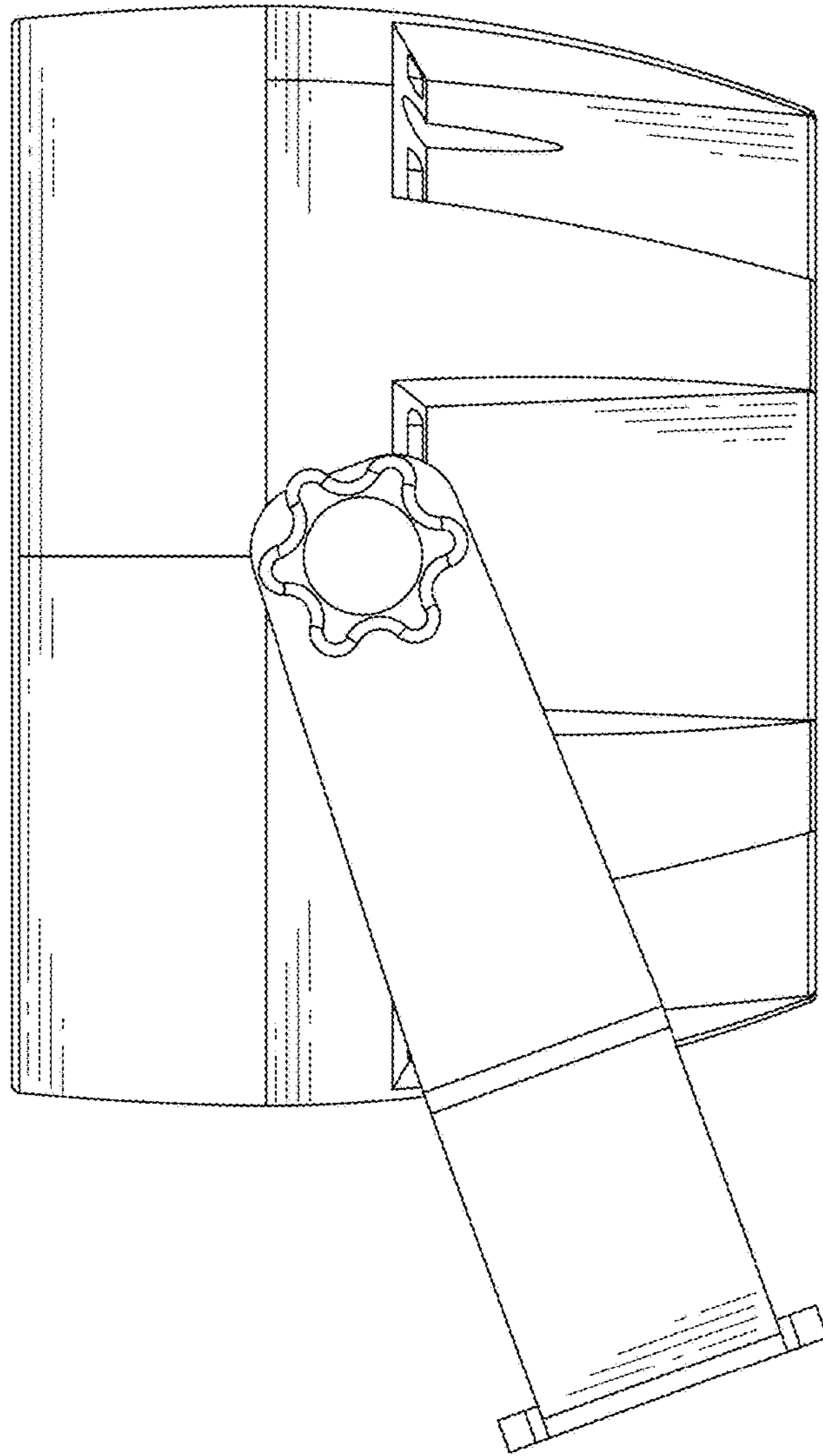


FIG.5

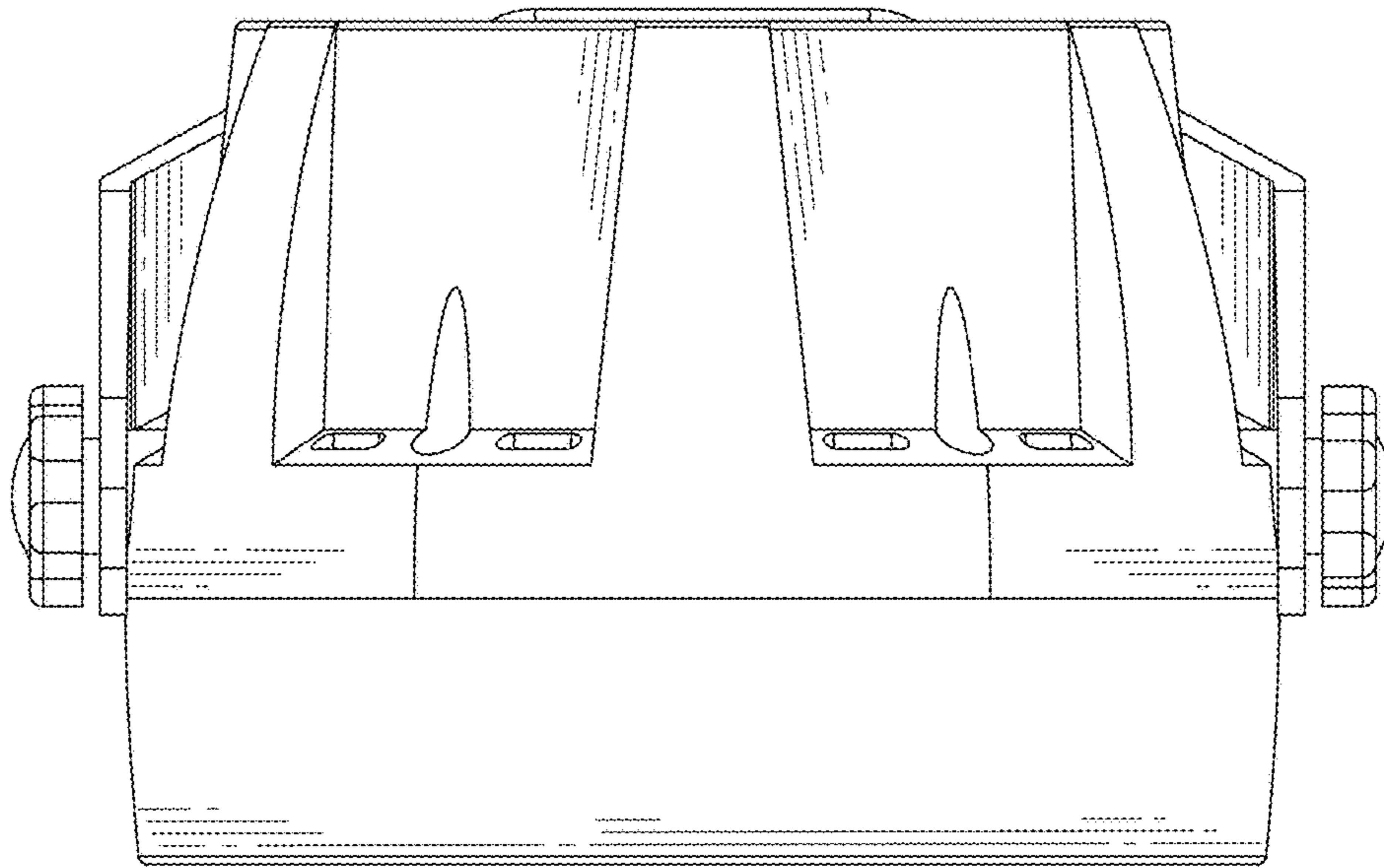


FIG.6

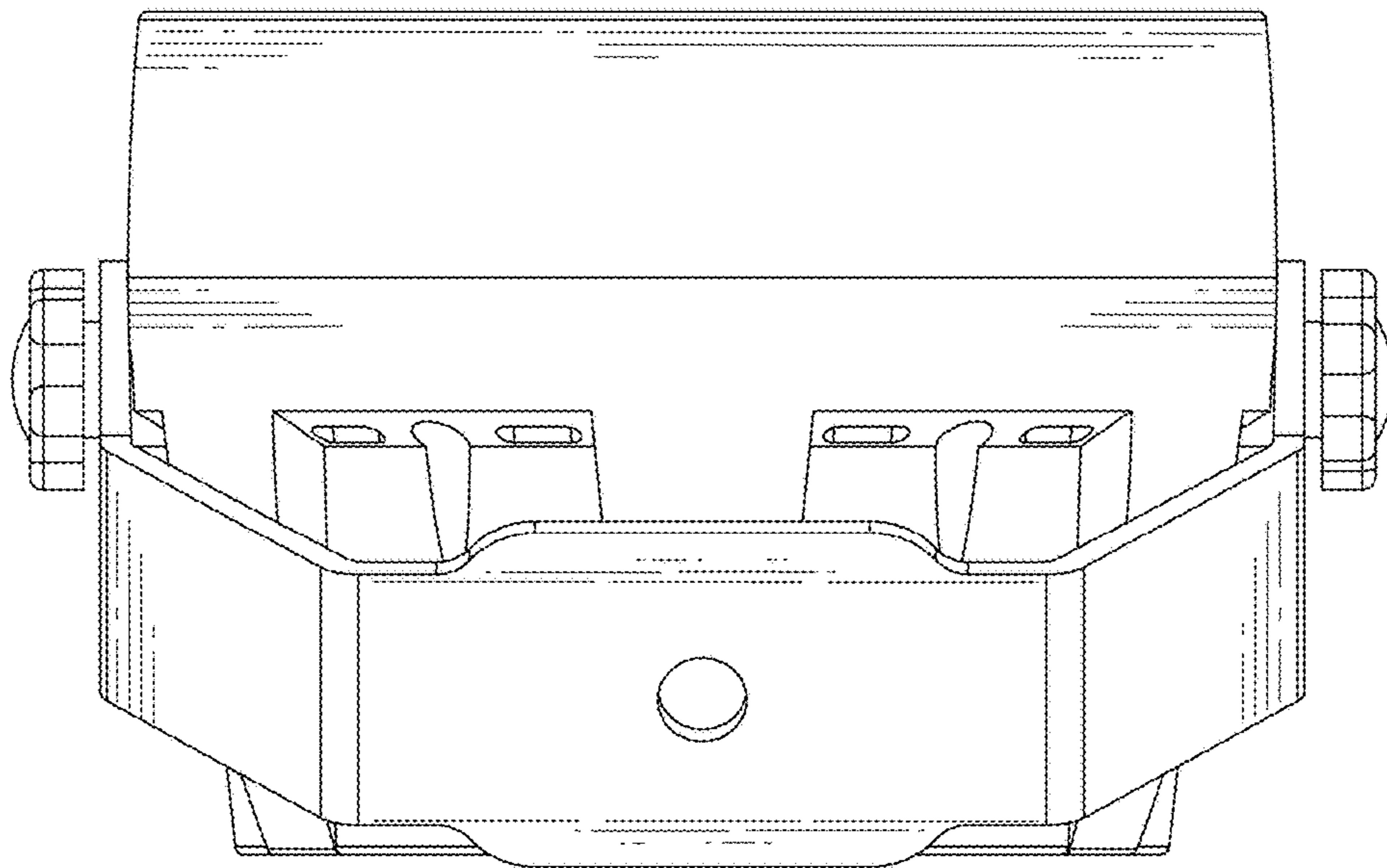


FIG.7