



US00D845529S

(12) **United States Design Patent**  
**Koshiba**

(10) **Patent No.:** **US D845,529 S**

(45) **Date of Patent:** **\*\* Apr. 9, 2019**

(54) **FLOODLIGHT**

(71) Applicant: **GENTOS CO., LTD.**, Tokyo (JP)

(72) Inventor: **Keita Koshiba**, Tokyo (JP)

(\*\*) Term: **15 Years**

(21) Appl. No.: **29/619,409**

(22) Filed: **Sep. 28, 2017**

(30) **Foreign Application Priority Data**

Mar. 30, 2017 (JP) ..... 2017-006663

(51) **LOC (11) Cl.** ..... **26-05**

(52) **U.S. Cl.**  
USPC ..... **D26/63**

(58) **Field of Classification Search**

USPC ..... D26/1, 24, 61, 63, 65, 85, 92  
CPC ..... F21V 21/14; F21V 15/01; F21V 14/02;  
F21V 21/30; F21V 21/00; F21V 14/00;  
F21S 8/00; F21S 8/003; F21S 8/043;  
F21Y 2105/001

See application file for complete search history.

(56) **References Cited**

**U.S. PATENT DOCUMENTS**

D403,094 S \* 12/1998 Grossman ..... D26/63  
D436,679 S \* 1/2001 Leen ..... D26/65

7,383,412 B1 \* 6/2008 Diard ..... G06F 9/52

711/170

D666,345 S \* 8/2012 Wang ..... D26/63

D779,097 S \* 2/2017 Xu ..... D26/63

D803,449 S \* 11/2017 Xu ..... D26/63

\* cited by examiner

*Primary Examiner* — Brian N. Vinson

(74) *Attorney, Agent, or Firm* — Im IP Law; C. Andrew Im; Chai Im

(57) **CLAIM**

The ornamental design for a floodlight, as shown and described.

**DESCRIPTION**

FIG. 1 is a front view of a floodlight showing my new design;

FIG. 2 is a rear view of the floodlight thereof;

FIG. 3 is a left side view of the floodlight thereof;

FIG. 4 is a right side view of the floodlight thereof;

FIG. 5 is a top view of the floodlight thereof;

FIG. 6 is a bottom view of the floodlight thereof;

FIG. 7 is a front perspective view of the floodlight thereof;

and,

FIG. 8 is a rear perspective view of the floodlight thereof.

**1 Claim, 8 Drawing Sheets**

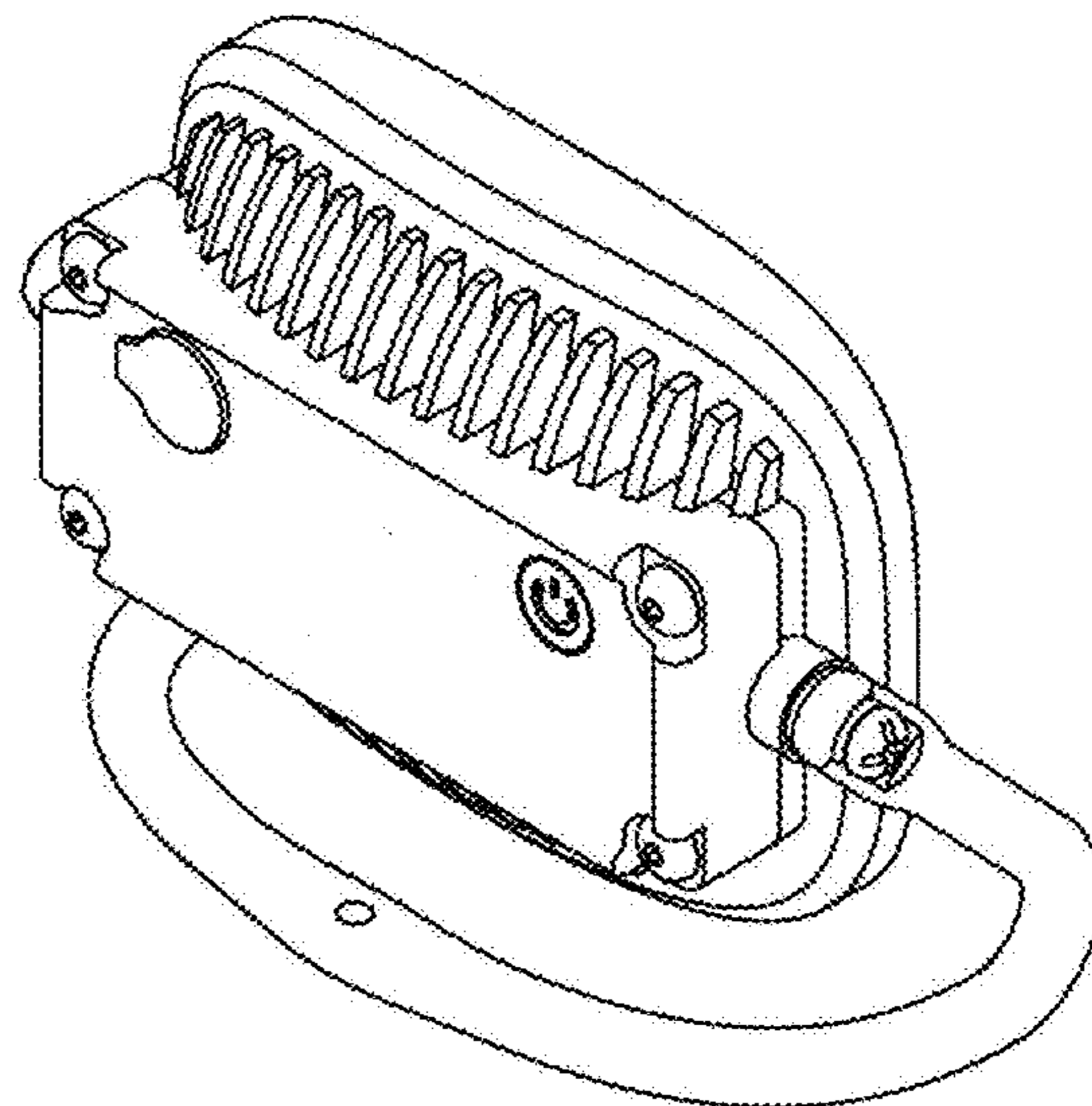
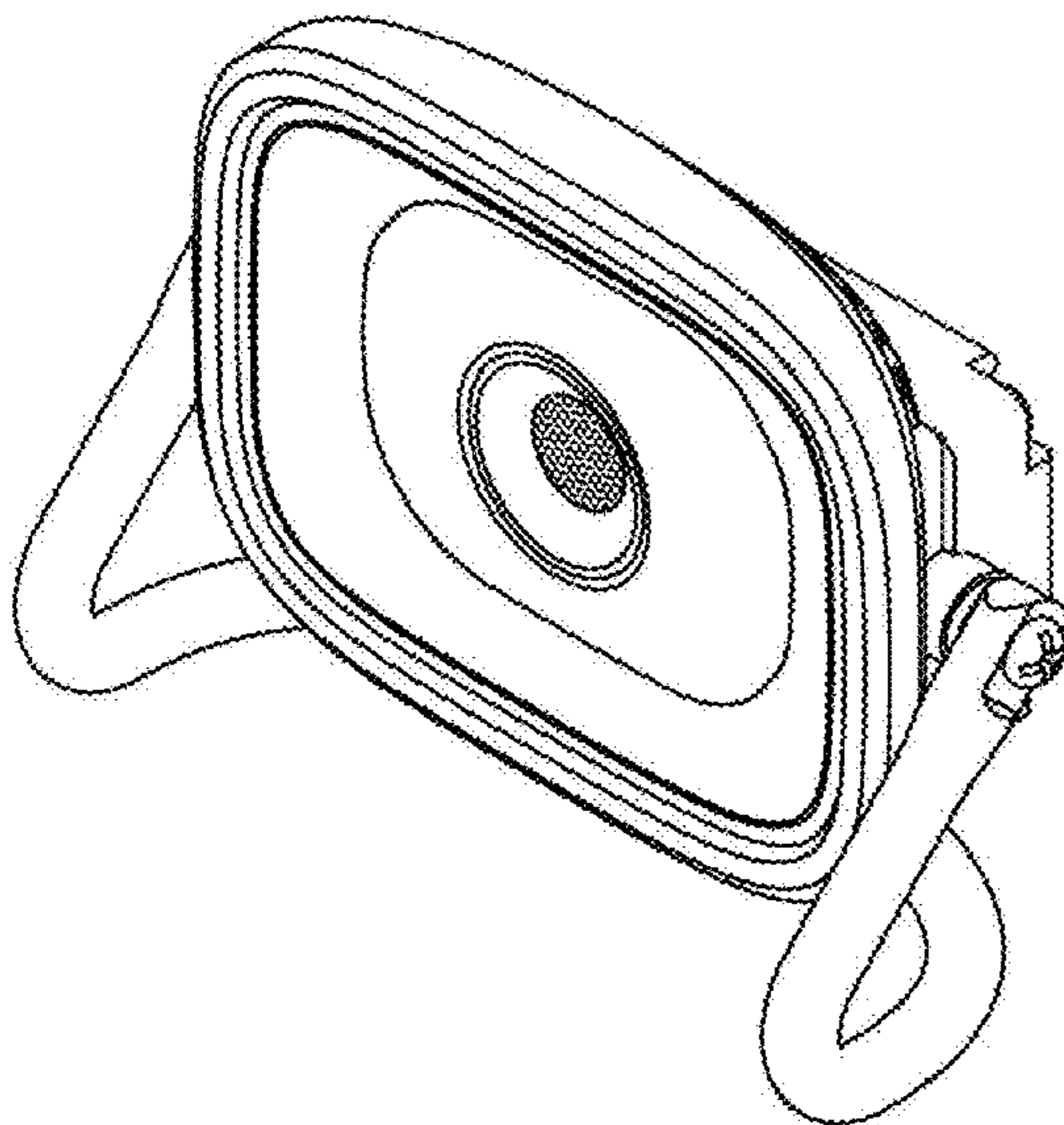


FIG. 1

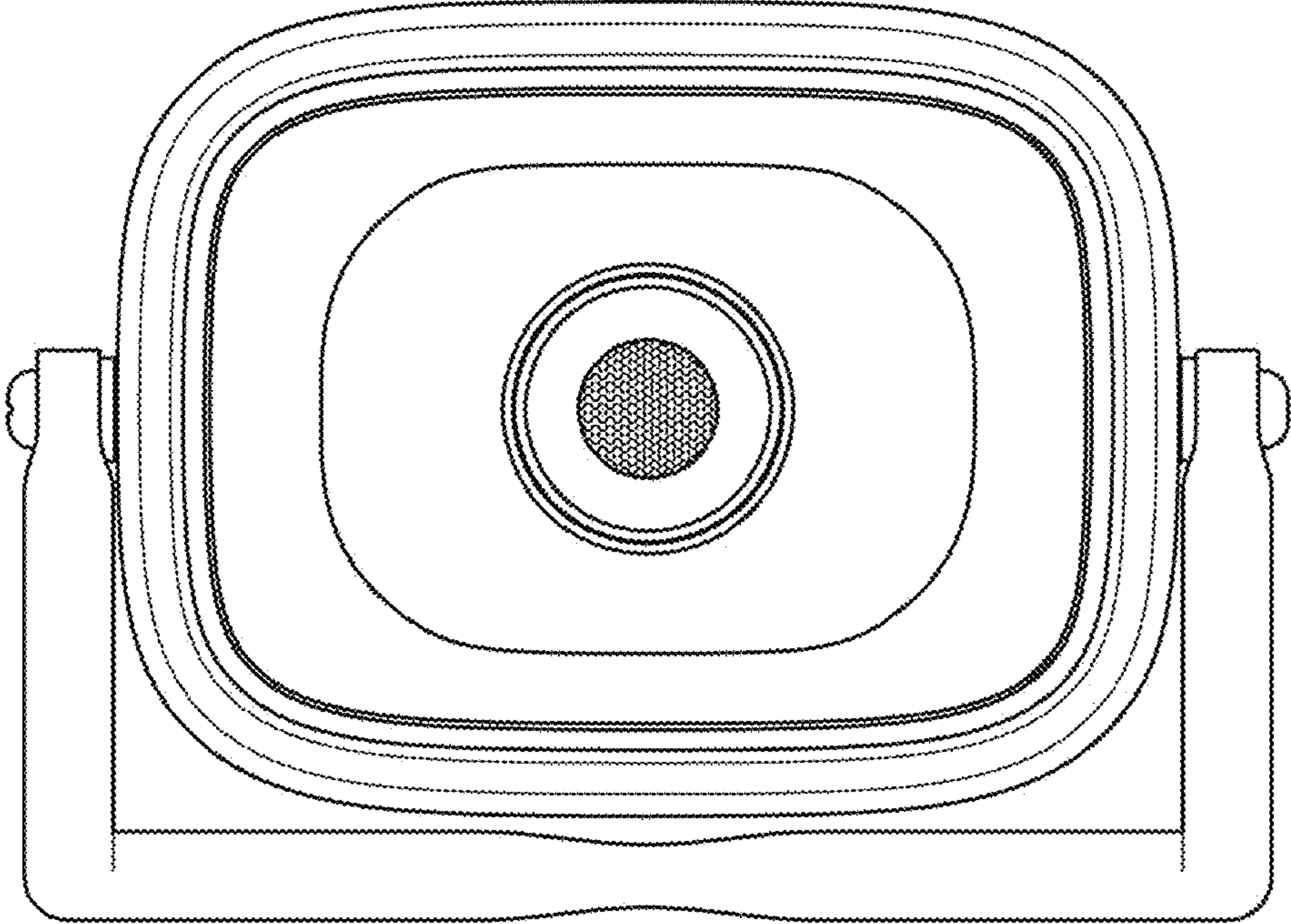


FIG. 2

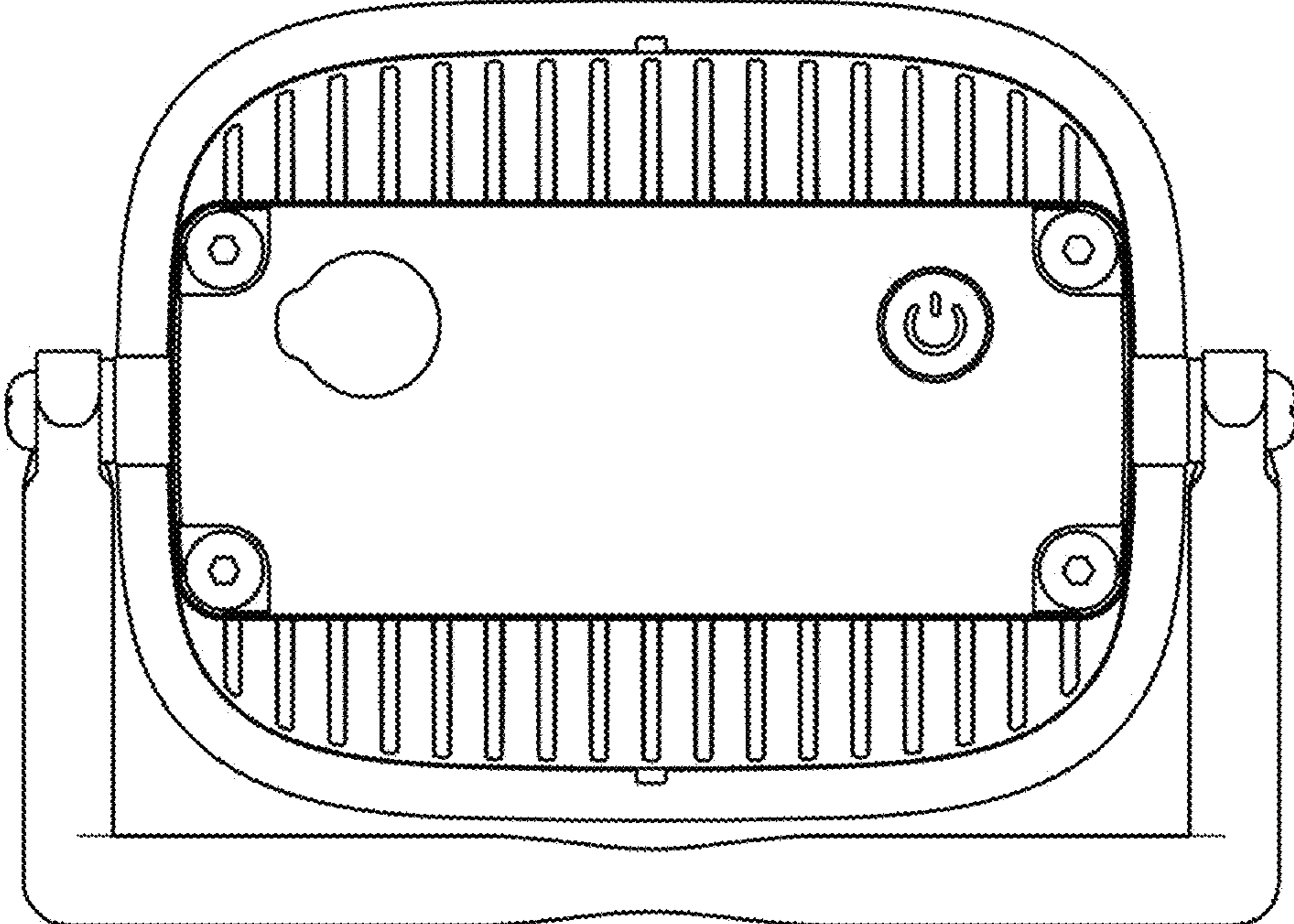


FIG. 3

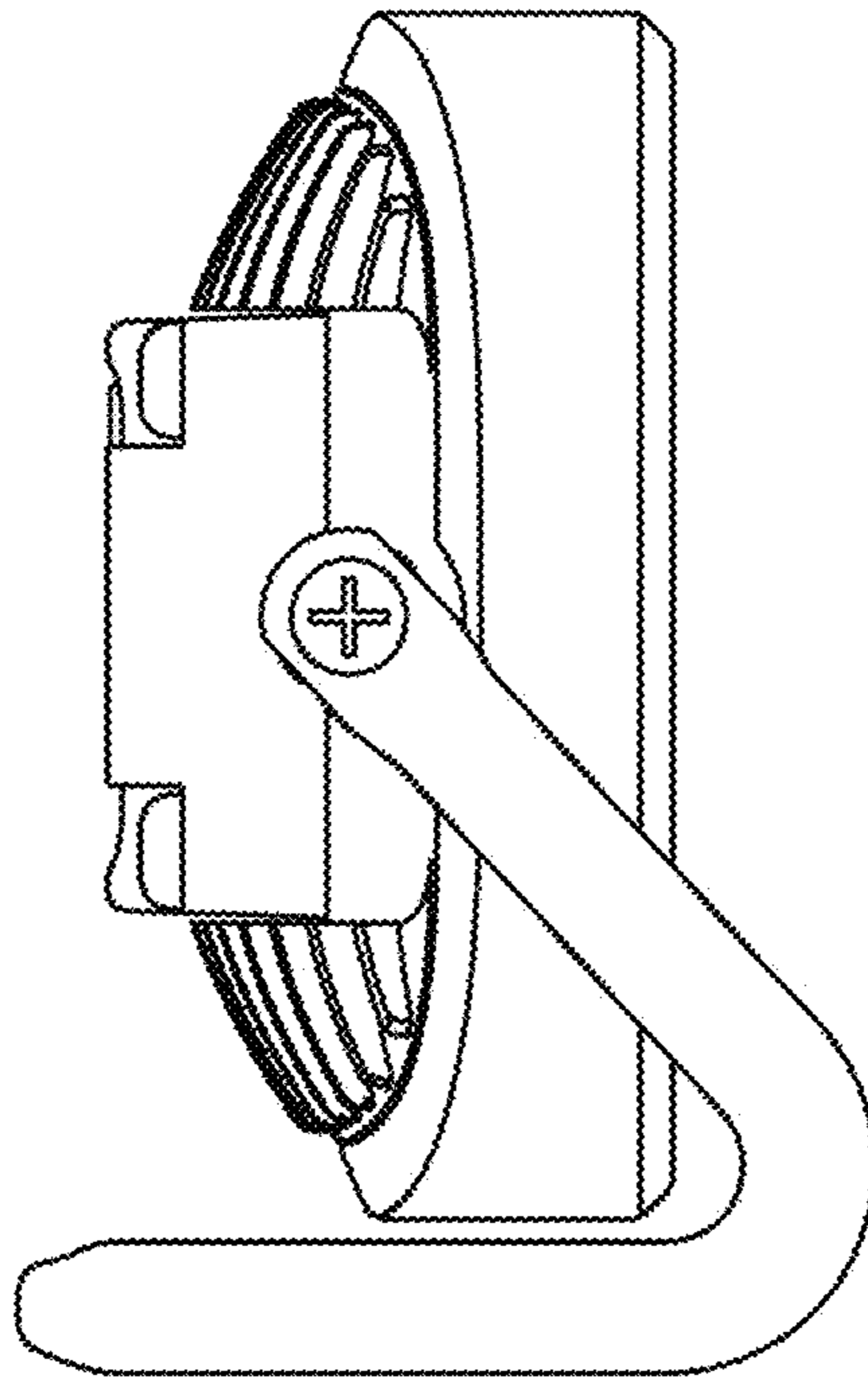


FIG. 4

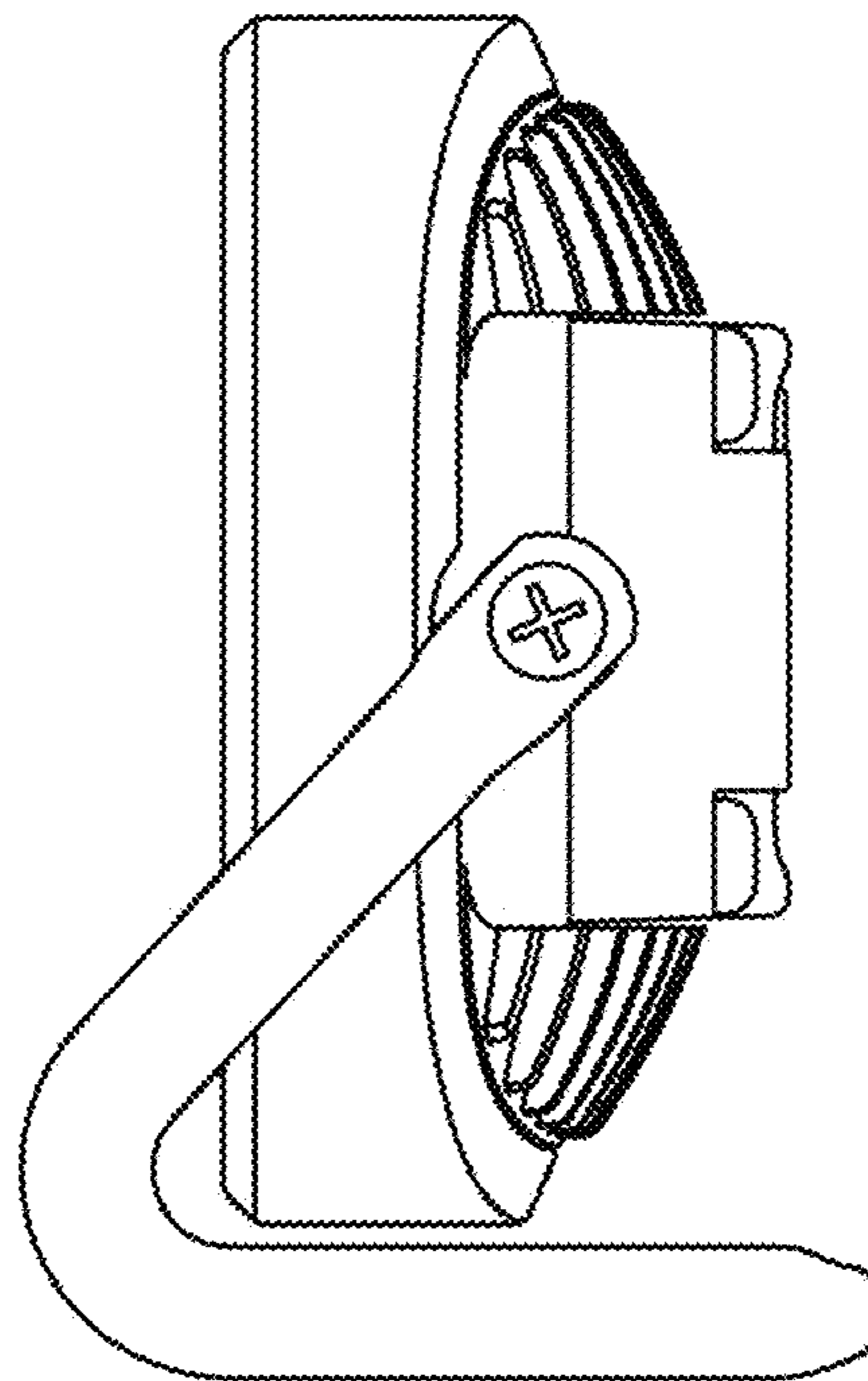




FIG. 5

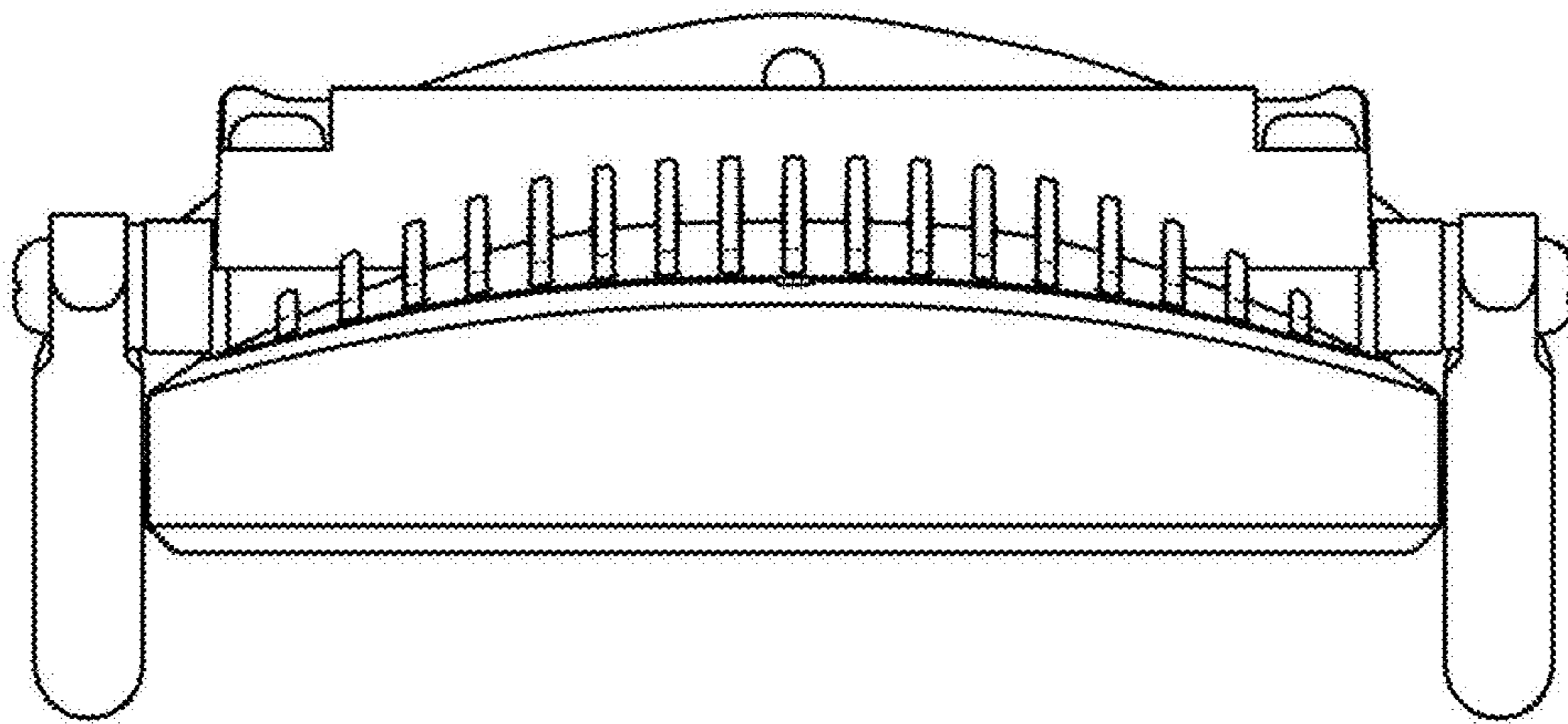


FIG. 6

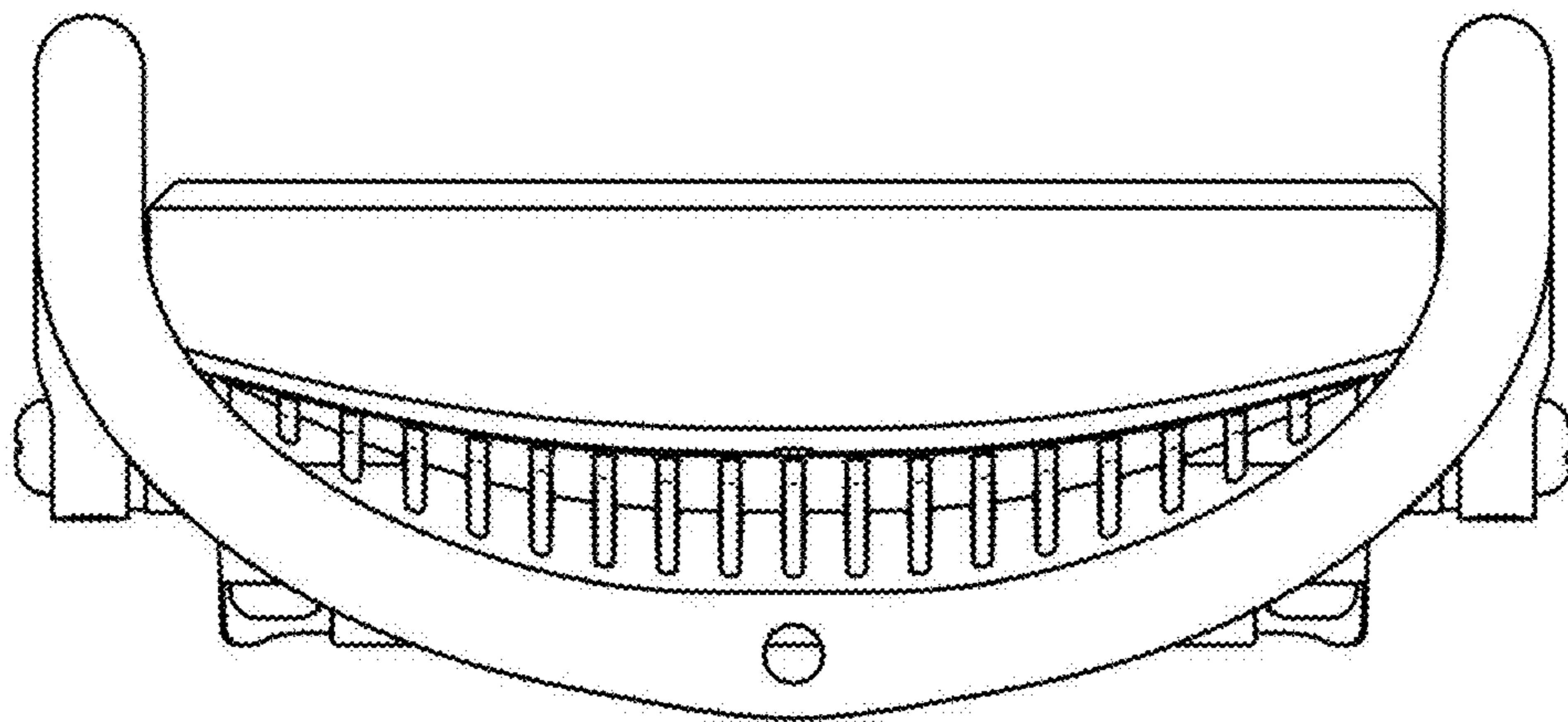


FIG. 7

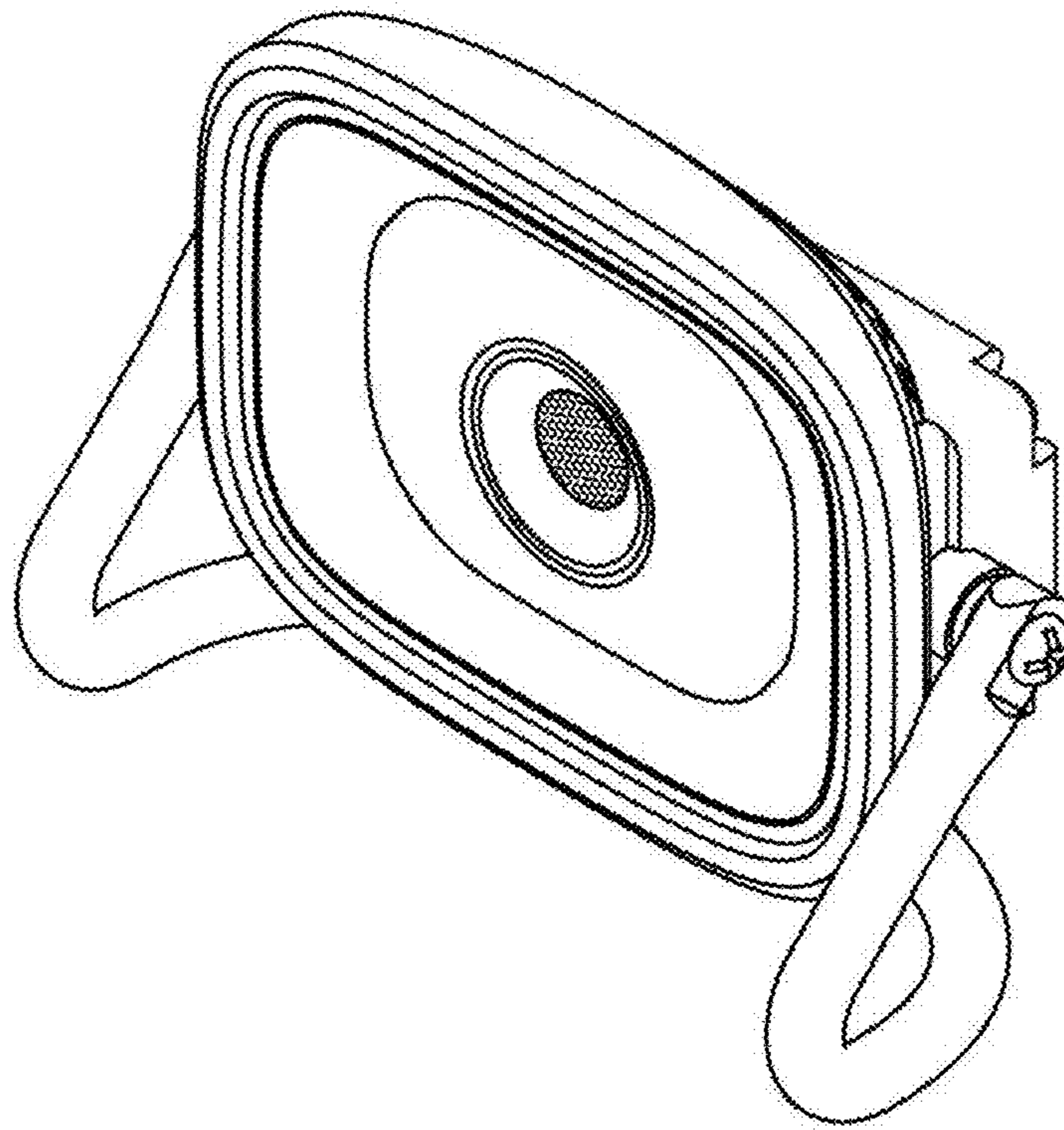




FIG. 8

