



US00D845528S

(12) **United States Design Patent**
Duarte et al.

(10) **Patent No.:** **US D845,528 S**

(45) **Date of Patent:** **** Apr. 9, 2019**

(54) **HINGED LIGHT**

(71) Applicant: **DELK, INC.**, Nashville, TN (US)

(72) Inventors: **Eugenio Jose Duarte**, Mount Juliet, TN (US); **Luke William Michas**, Nashville, TN (US); **James Matthew Finney**, Nashville, TN (US)

(73) Assignee: **Delk, Inc.**, Nashville, TN (US)

(**) Term: **15 Years**

(21) Appl. No.: **29/584,486**

(22) Filed: **Nov. 15, 2016**

(51) **LOC (11) Cl.** **26-02**

(52) **U.S. Cl.**
USPC **D26/44**

(58) **Field of Classification Search**
USPC D26/37-51
CPC F21L 2003/00; F21L 4/00; F21L 4/005;
F21L 4/02; F21L 4/025; F21L 4/027;
F21L 4/04; F21L 4/08; F21L 2005/00;
F21L 7/00; F21L 11/00; F21L 13/00;
F21L 13/04; F21L 13/08; F21L 14/02;
F21L 17/00; F21L 19/00

See application file for complete search history.

(56) **References Cited**

U.S. PATENT DOCUMENTS

D448,874 S	*	10/2001	Dalton	D26/42
D485,629 S	*	1/2004	Chan	D26/37
D527,129 S	*	8/2006	Hodgson	D26/42
D579,494 S	*	10/2008	Chan	D19/121
D630,355 S	*	1/2011	Gulker	D26/37
D656,647 S	*	3/2012	Hodgson	D26/44
D703,357 S	*	4/2014	Grandadam	D26/44

D709,513 S	*	7/2014	Huang	D14/480.3
D765,898 S	*	9/2016	Caito	D26/42
D767,183 S	*	9/2016	Caito	D26/42
D791,379 S	*	7/2017	Koshiba	D26/37
D794,236 S	*	8/2017	Kovacik	D26/42

* cited by examiner

Primary Examiner — Karen E Kearney

Assistant Examiner — Carissa C Fitts

(74) *Attorney, Agent, or Firm* — Hankin Patent Law, APC; Kevin Schraven; Anooj Patel

(57) **CLAIM**

The ornamental design for a hinged light, as shown and described.

DESCRIPTION

FIG. 1 is a bottom perspective view of a first embodiment of the hinged light showing our new design in a closed position.

FIG. 2 is a right side elevational view thereof.

FIG. 3 is a left side elevational view thereof

FIG. 4 is a rear elevational view thereof.

FIG. 5 is a front elevational view thereof.

FIG. 6 is a top plan view thereof.

FIG. 7 is a bottom plan view thereof.

FIG. 8 is a bottom perspective view of a first embodiment of the hinged light showing our new design in a partially open position.

FIG. 9 is a right side elevational view thereof.

FIG. 10 is a left side elevational view thereof

FIG. 11 is a rear elevational view thereof.

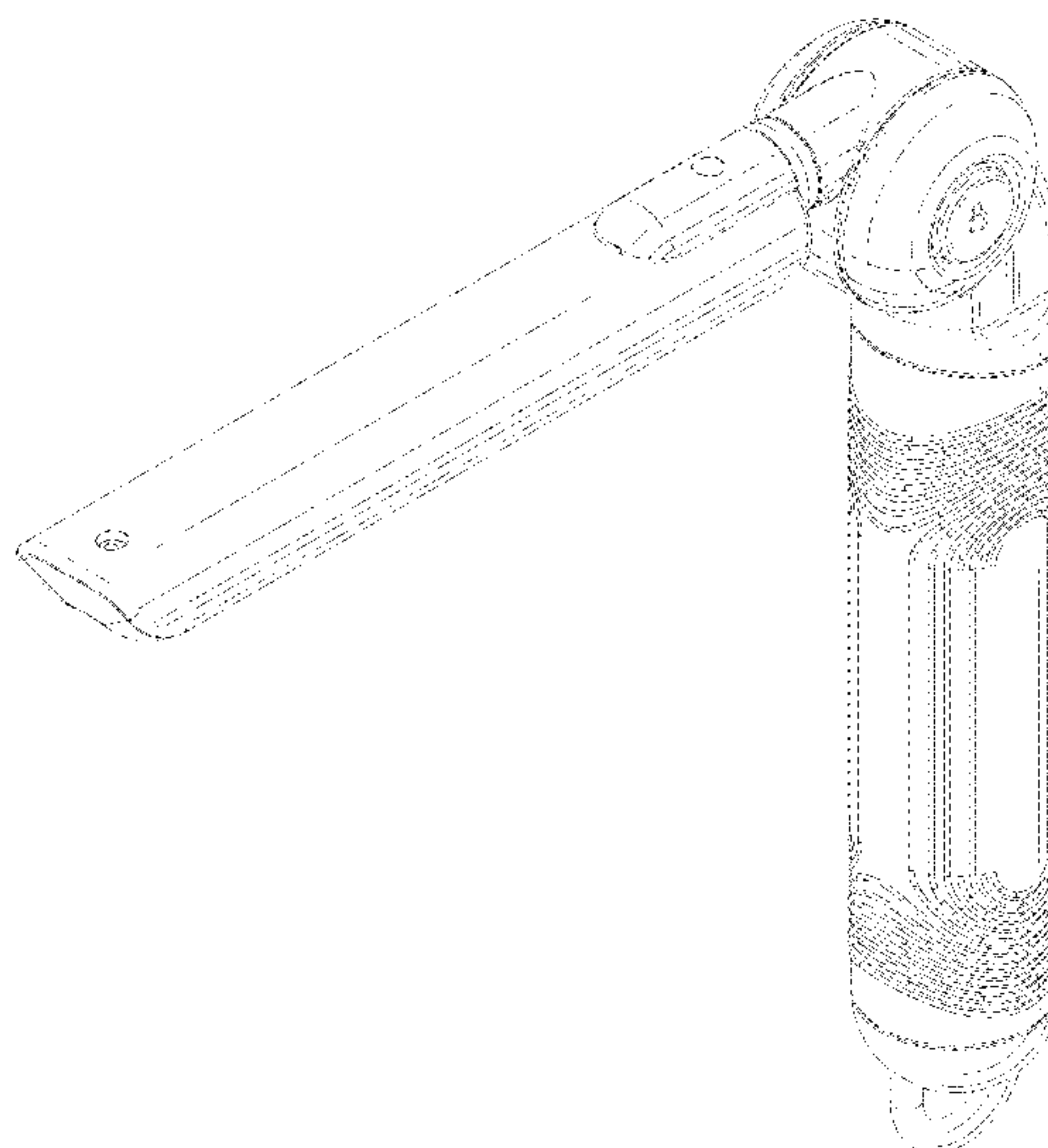
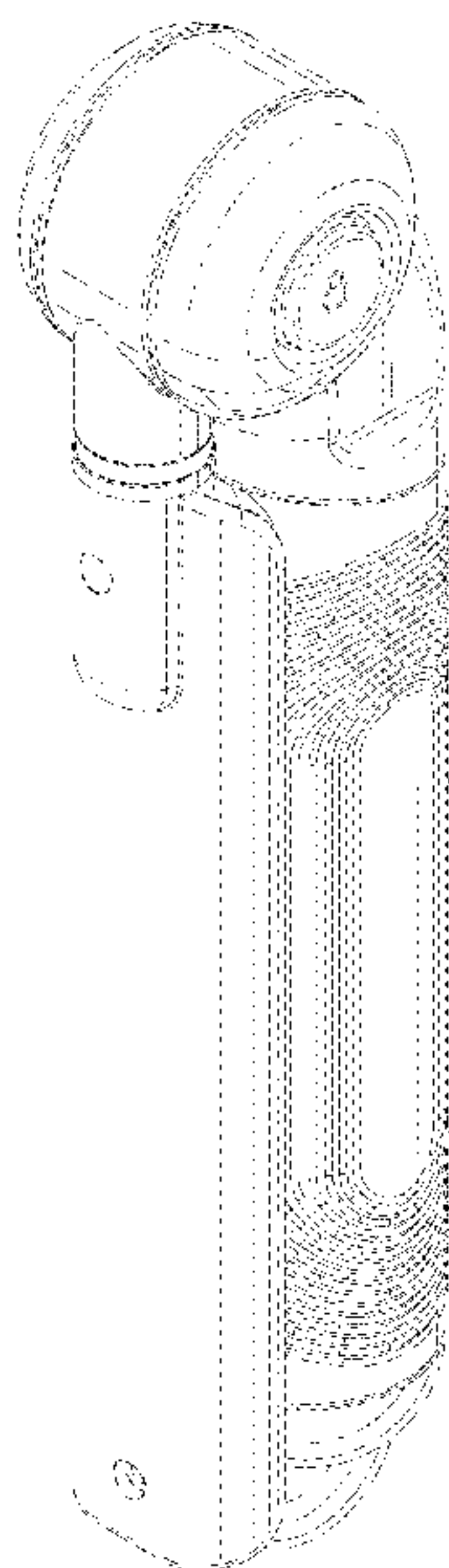
FIG. 12 is a front elevational view thereof.

FIG. 13 is a top plan view thereof; and,

FIG. 14 is a bottom plan view thereof.

The broken lines show portions of the article not claimed and form no part of the claimed design.

1 Claim, 12 Drawing Sheets



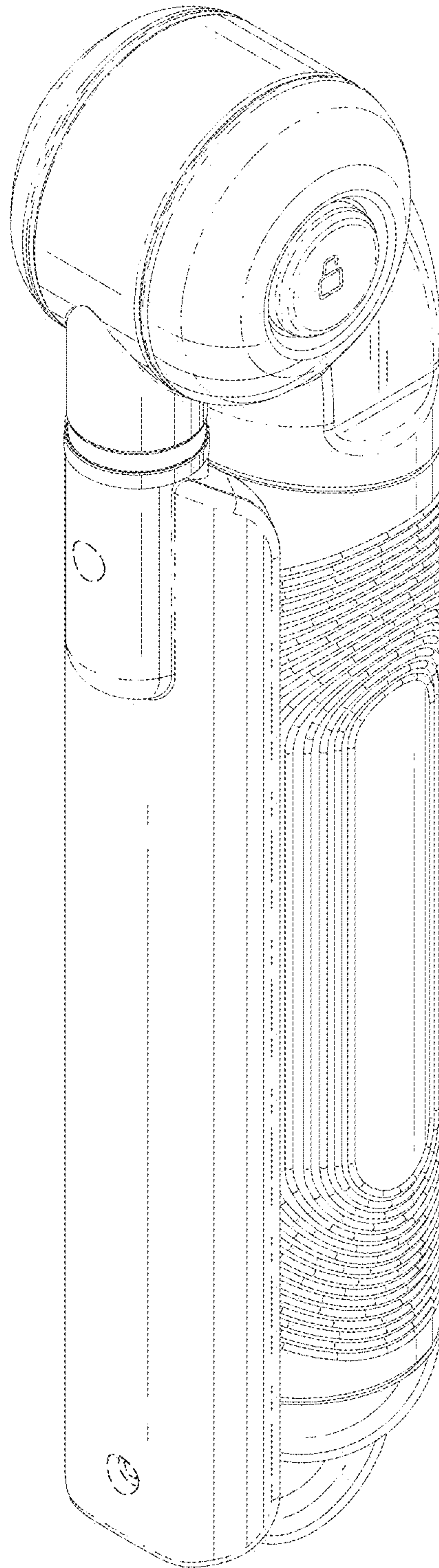


FIG. 1

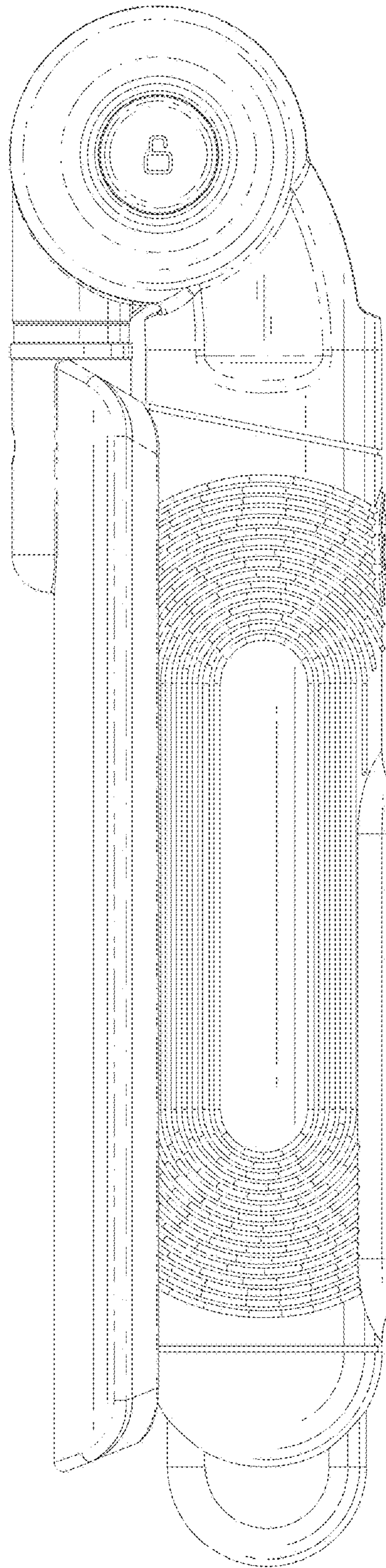


FIG. 2

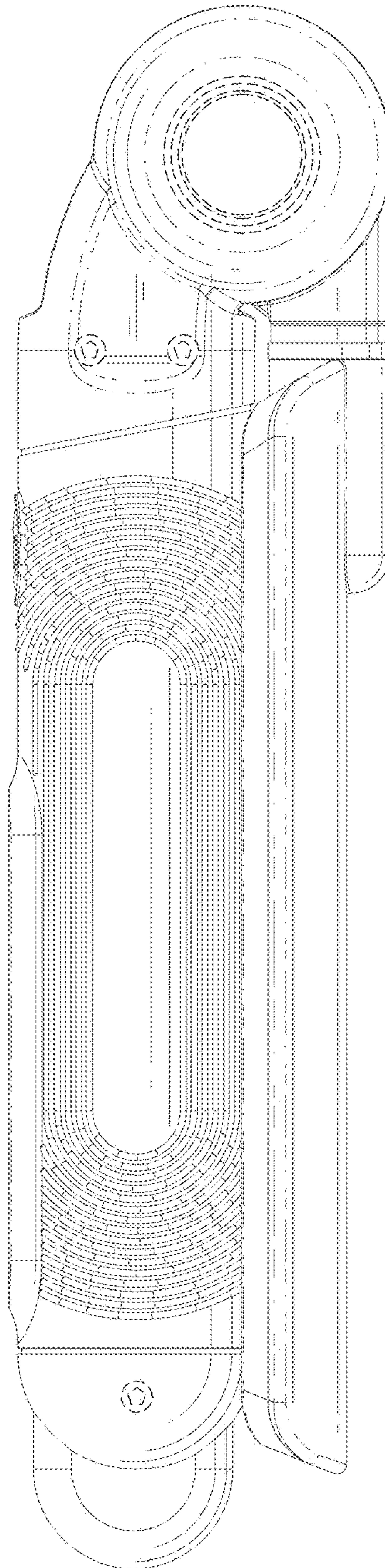


FIG. 3

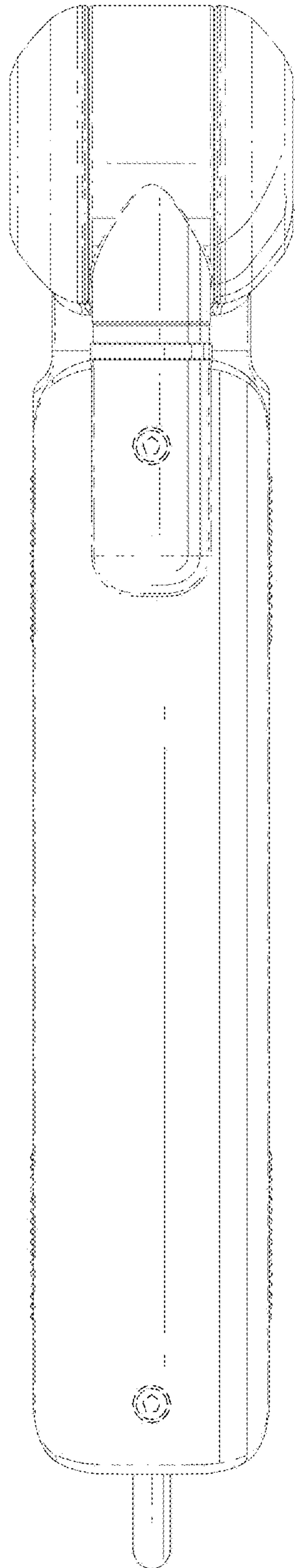


FIG. 4

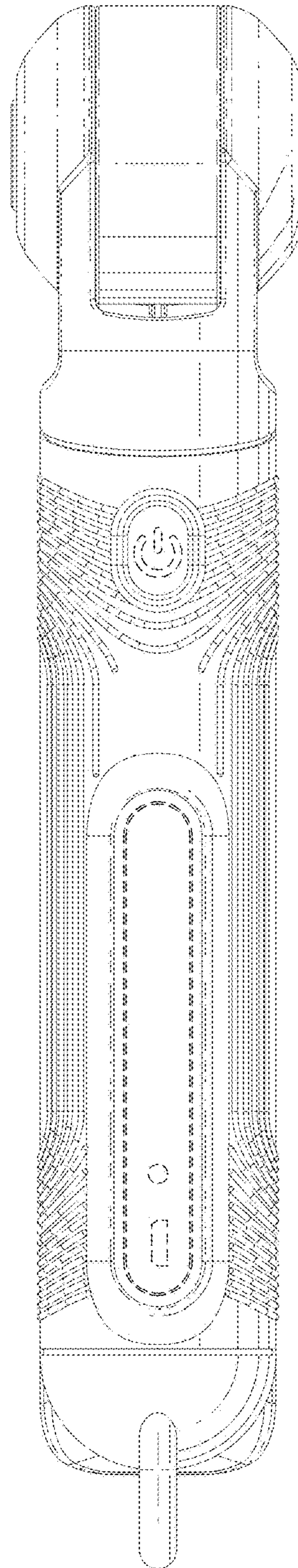


FIG. 5

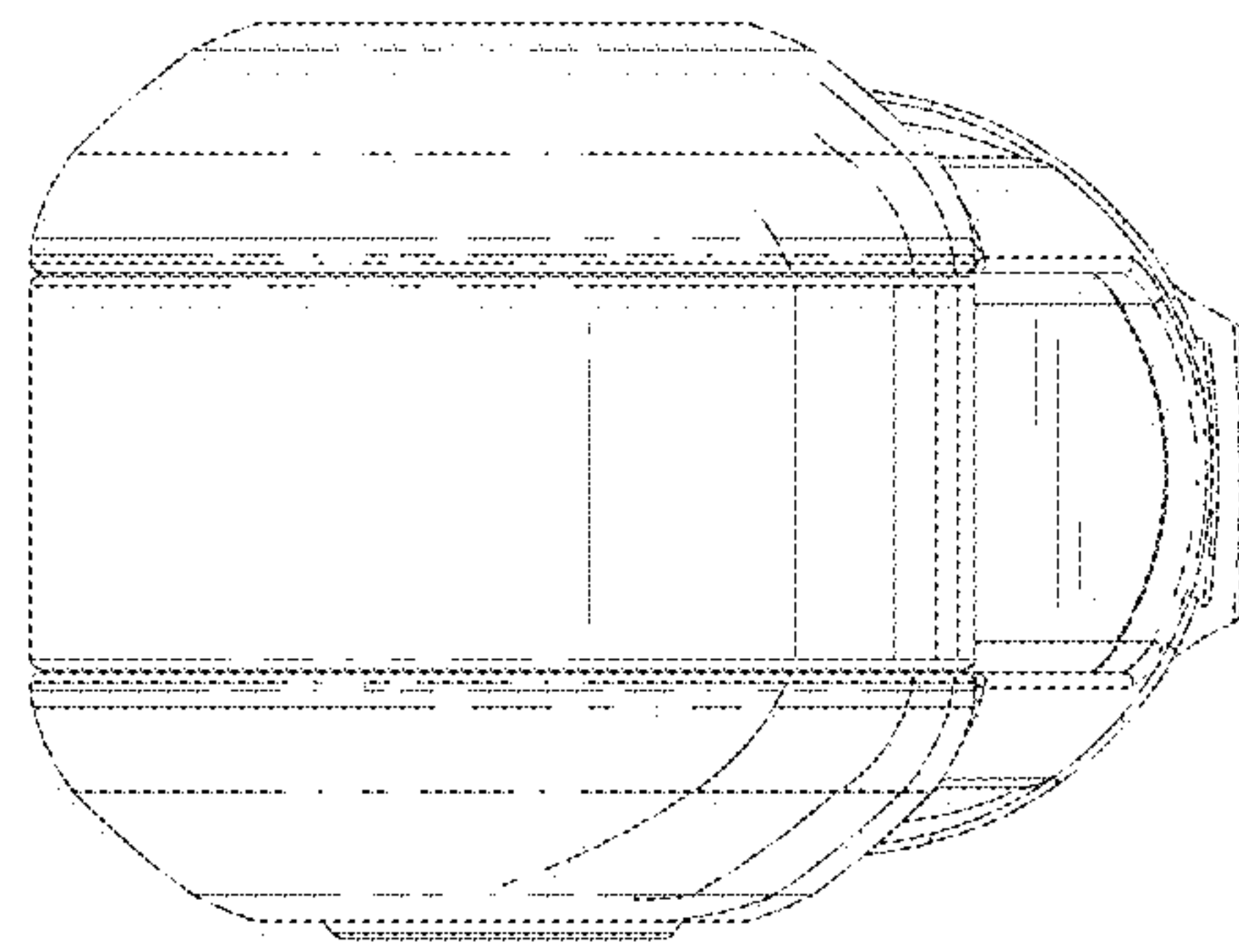


FIG. 6

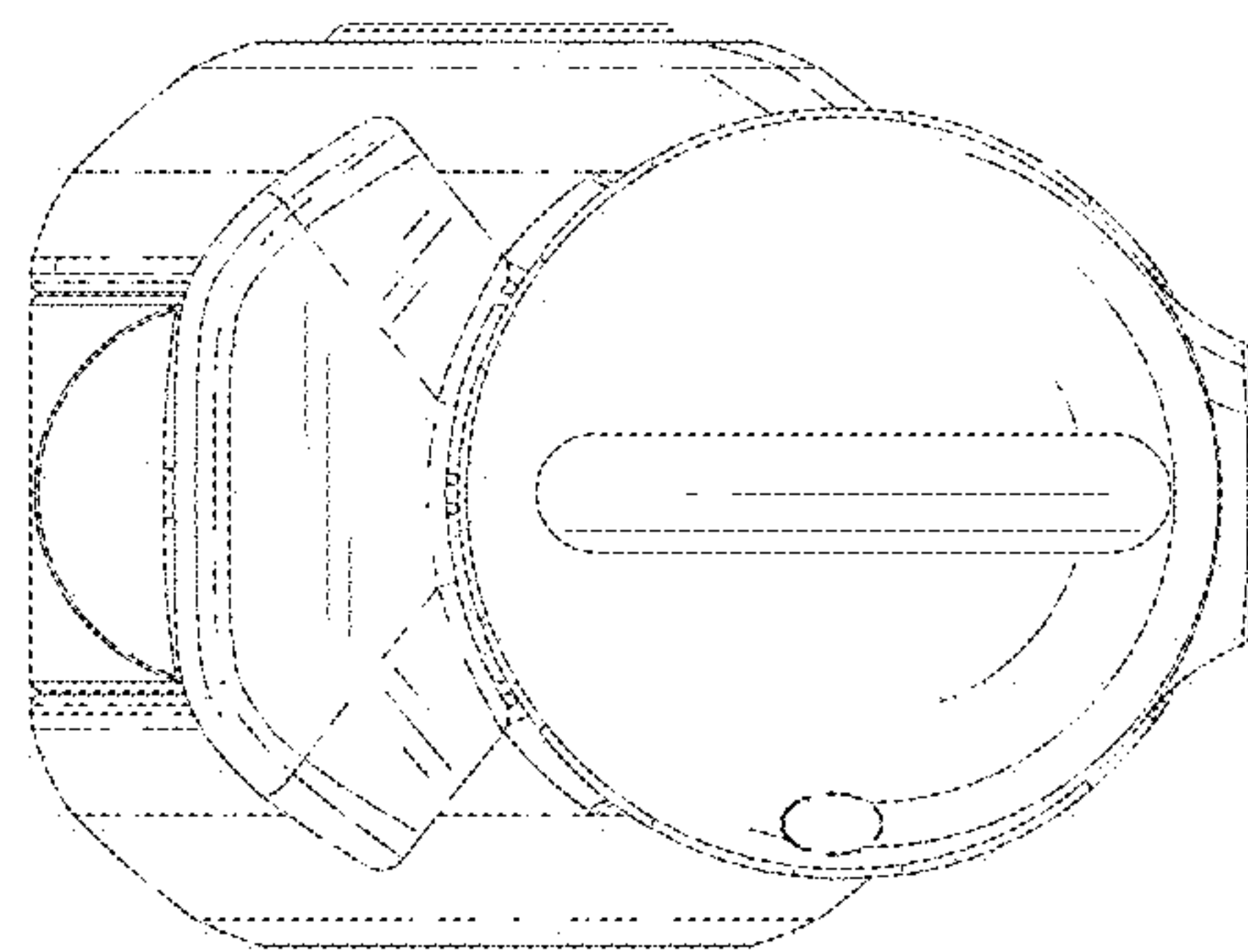


FIG. 7

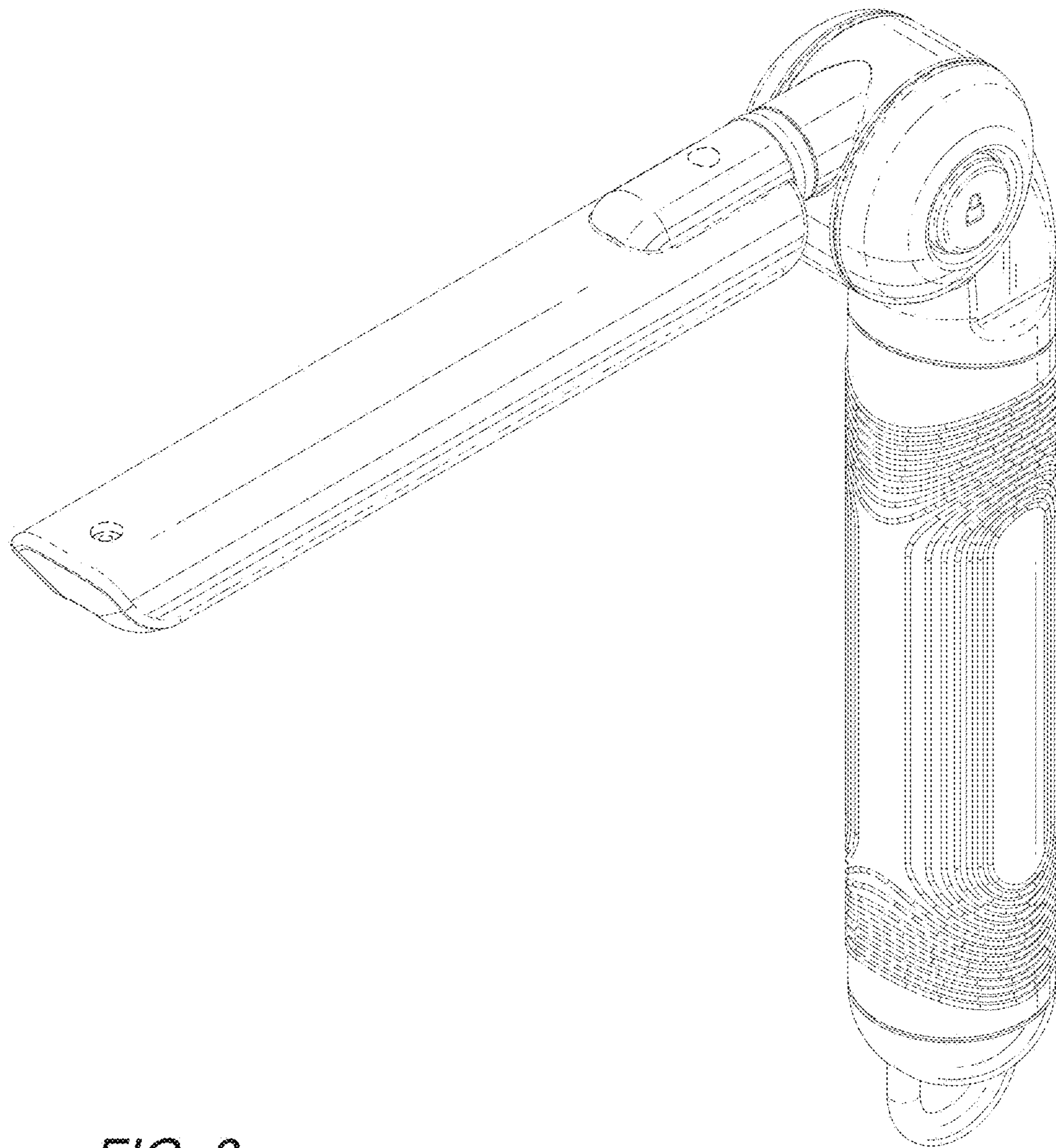


FIG. 8

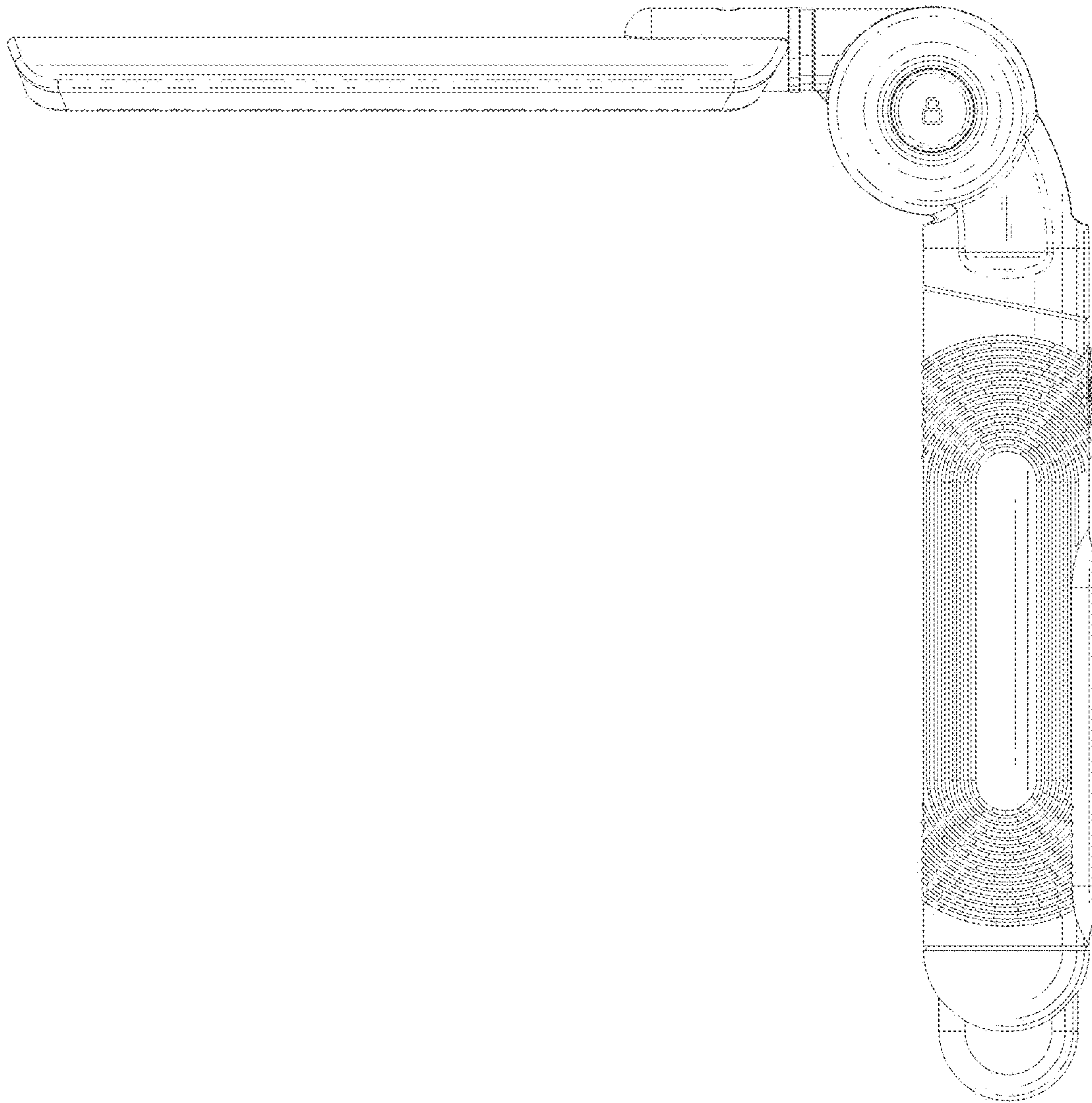


FIG. 9

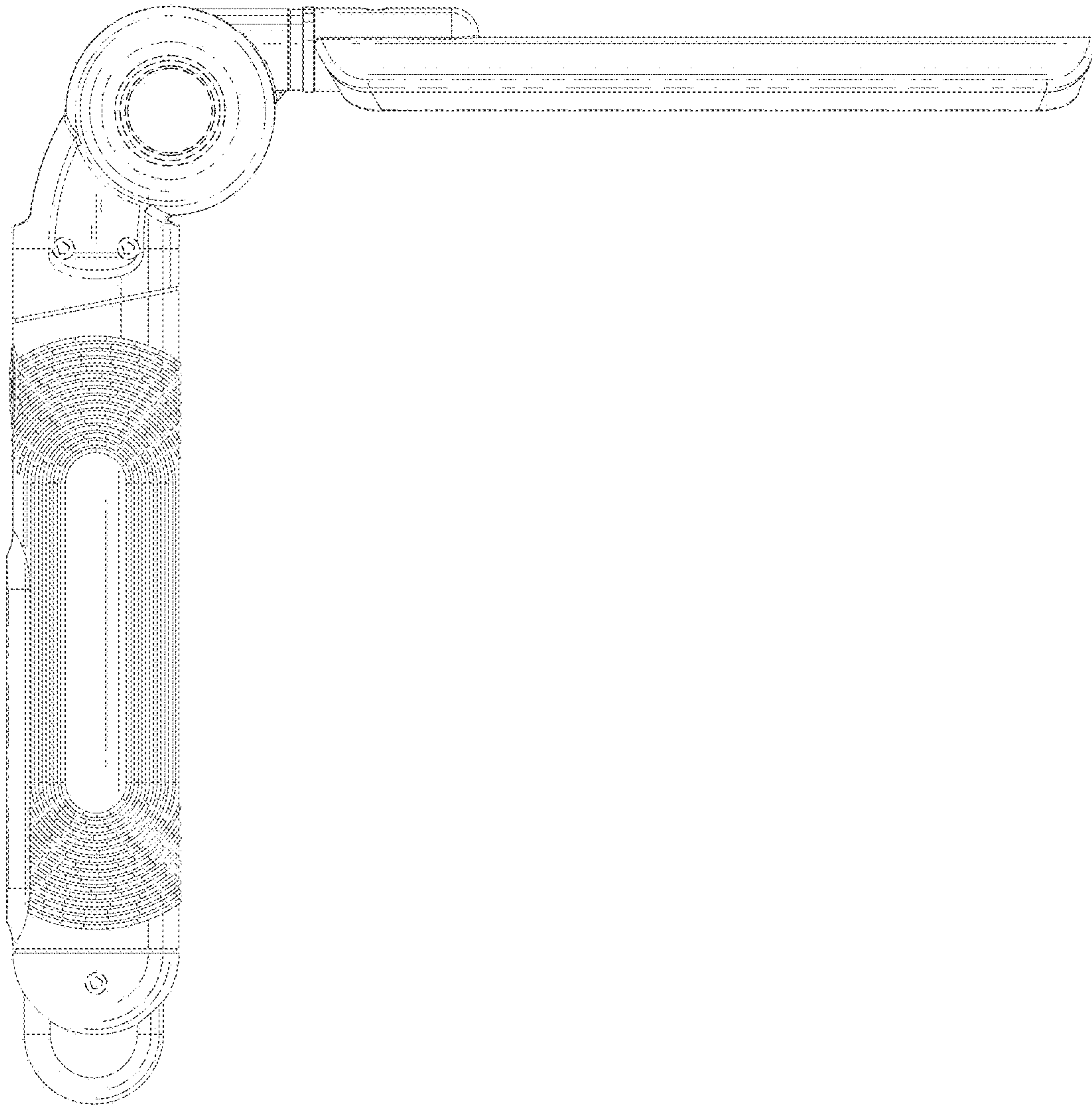


FIG. 10

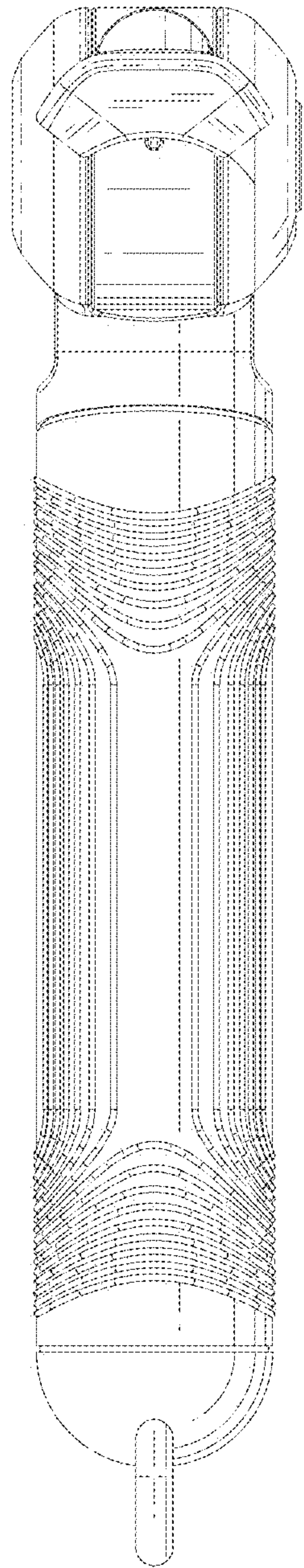


FIG. 11

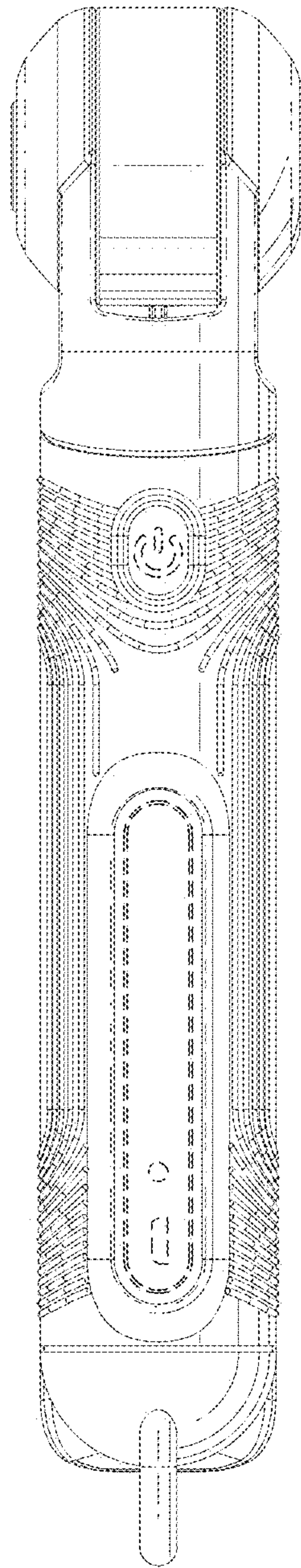


FIG. 12

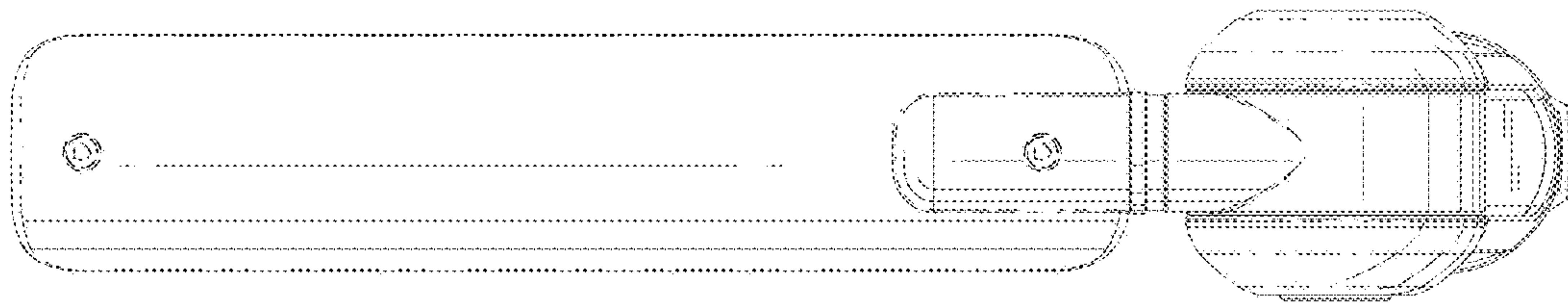


FIG. 13

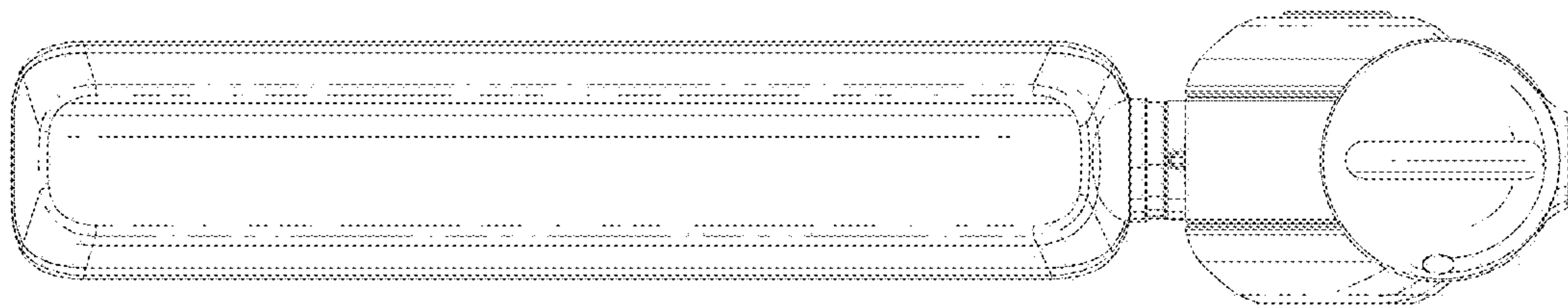


FIG. 14