



US00D845526S

(12) **United States Design Patent** (10) **Patent No.:** **US D845,526 S**
Windom et al. (45) **Date of Patent:** **** Apr. 9, 2019**

(54) **HEADLAMP**
 (71) Applicant: **COAST CUTLERY CO.**, Portland, OR (US)
 (72) Inventors: **Gregory David Windom**, Portland, OR (US); **Hai Rong Shi**, Yangjiang (CN); **Chao Jun Ding**, Yangjiang (CN)
 (73) Assignee: **Coast Cutlery Co.**, Portland, OR (US)
 (**) Term: **15 Years**
 (21) Appl. No.: **29/634,178**

D736,978 S * 8/2015 Petzl D26/39
 D736,979 S * 8/2015 Petzl D26/39
 D736,980 S * 8/2015 Petzl D26/39
 D742,050 S * 10/2015 Inskeep D26/39
 D743,596 S * 11/2015 Ormsbee D26/39
 D747,021 S * 1/2016 Hunnewell D26/39
 D762,317 S * 7/2016 Ormsbee D26/39
 D788,337 S * 5/2017 Koshiba D26/39
 D799,085 S * 10/2017 Huang D26/39
 D802,189 S * 11/2017 Windom D26/39
 D804,695 S * 12/2017 Windom D26/39
 D812,793 S * 3/2018 Huang D26/39
 D814,676 S * 4/2018 Windom D26/39
 D821,007 S * 6/2018 Chen D26/39
 D830,602 S * 10/2018 Melchior D26/39

* cited by examiner

(22) Filed: **Jan. 18, 2018**
 (51) **LOC (11) Cl.** **26-02**
 (52) **U.S. Cl.**
 USPC **D26/39**
 (58) **Field of Classification Search**
 USPC D26/37-51
 CPC F21L 2003/00; F21L 4/00; F21L 4/005;
 F21L 4/02; F21L 4/025; F21L 4/027;
 F21L 4/04; F21L 4/08; F21L 2005/00;
 F21L 7/00; F21L 11/00; F21L 13/00;
 F21L 13/04; F21L 13/08; F21L 14/02;
 F21L 17/00; F21L 19/00; F21L 25/00
 See application file for complete search history.

Primary Examiner — Karen E Kearney
Assistant Examiner — Carissa C Fitts
 (74) *Attorney, Agent, or Firm* — Schwabe Williamson & Wyatt, P.C.

(57) **CLAIM**

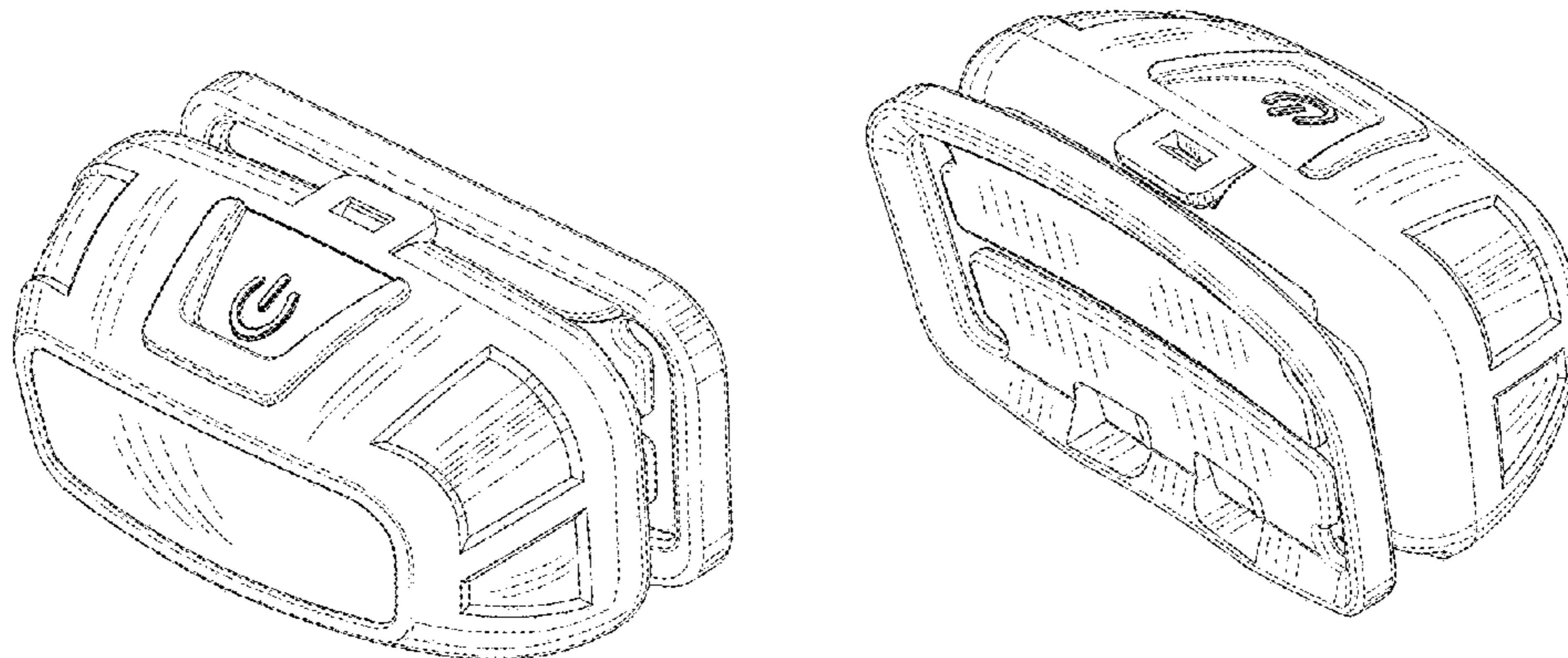
We claim the ornamental design for a headlamp, as shown and described.

DESCRIPTION

FIG. 1 is a perspective view of the present invention from a front angle;
 FIG. 2 is a perspective view of FIG. 1 from a rear angle;
 FIG. 3 is a front elevation view thereof;
 FIG. 4 is a rear elevation view thereof;
 FIG. 5 is a top plan view thereof;
 FIG. 6 is a bottom view thereof;
 FIG. 7 is a left side elevation view thereof; and,
 FIG. 8 is a right side elevation view thereof.

1 Claim, 3 Drawing Sheets

(56) **References Cited**
 U.S. PATENT DOCUMENTS
 D560,008 S * 1/2008 Poon D26/39
 D577,842 S * 9/2008 Kumthampinij D26/39
 D658,323 S * 4/2012 Freschl D26/39
 D707,867 S * 6/2014 Kotsis D26/39
 D726,943 S * 4/2015 Petzl D26/39
 D736,977 S * 8/2015 Petzl D26/39



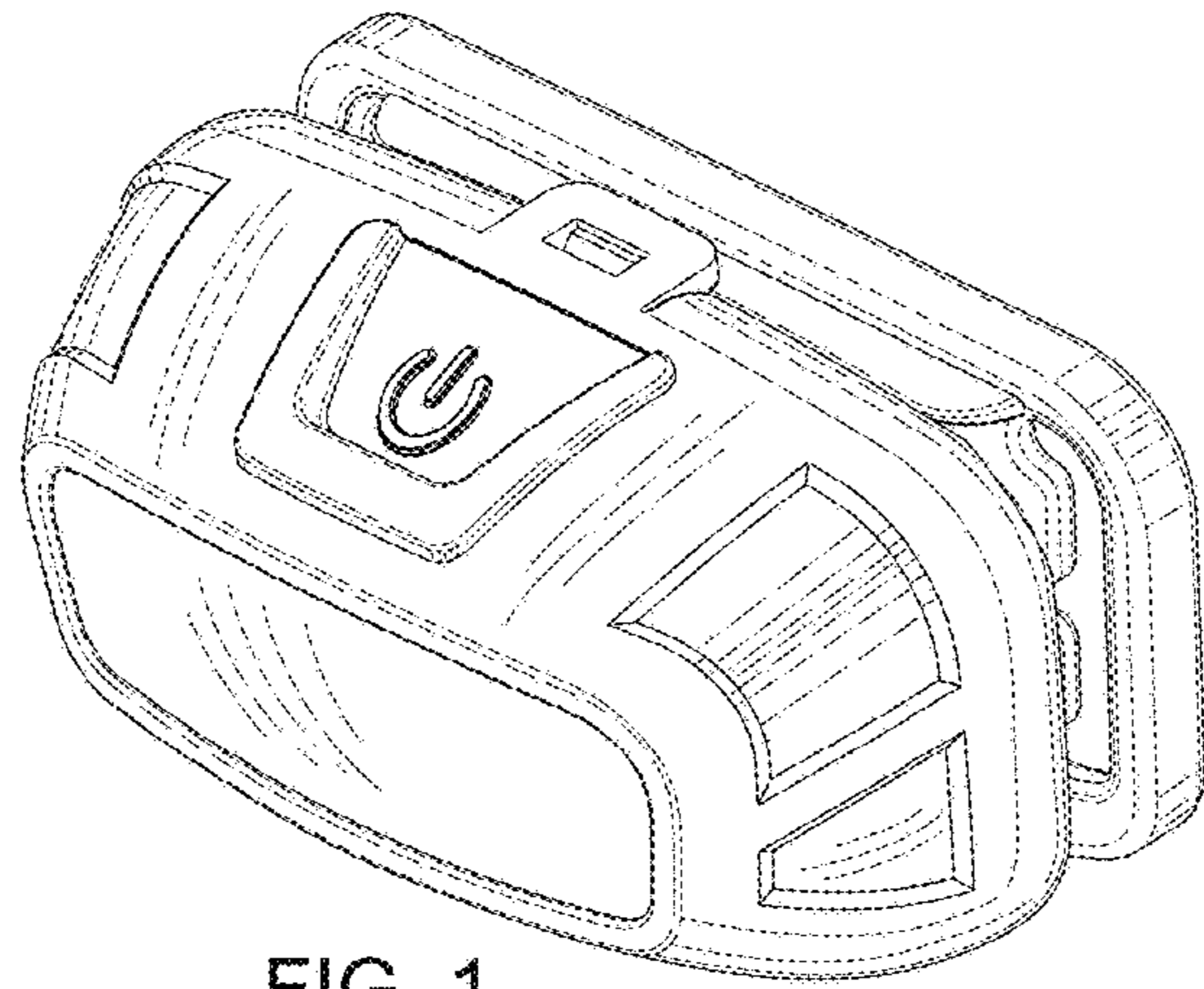


FIG. 1

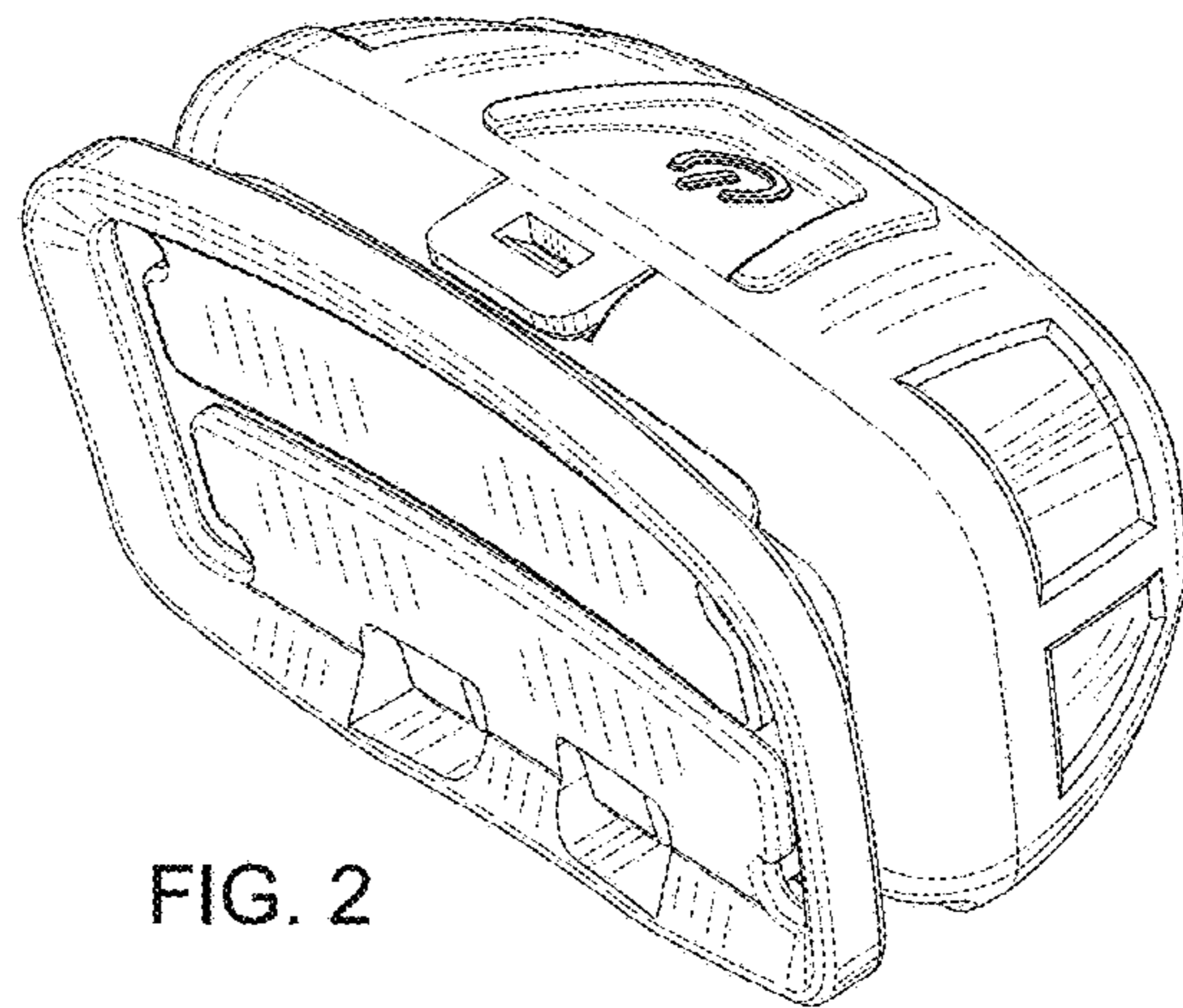


FIG. 2

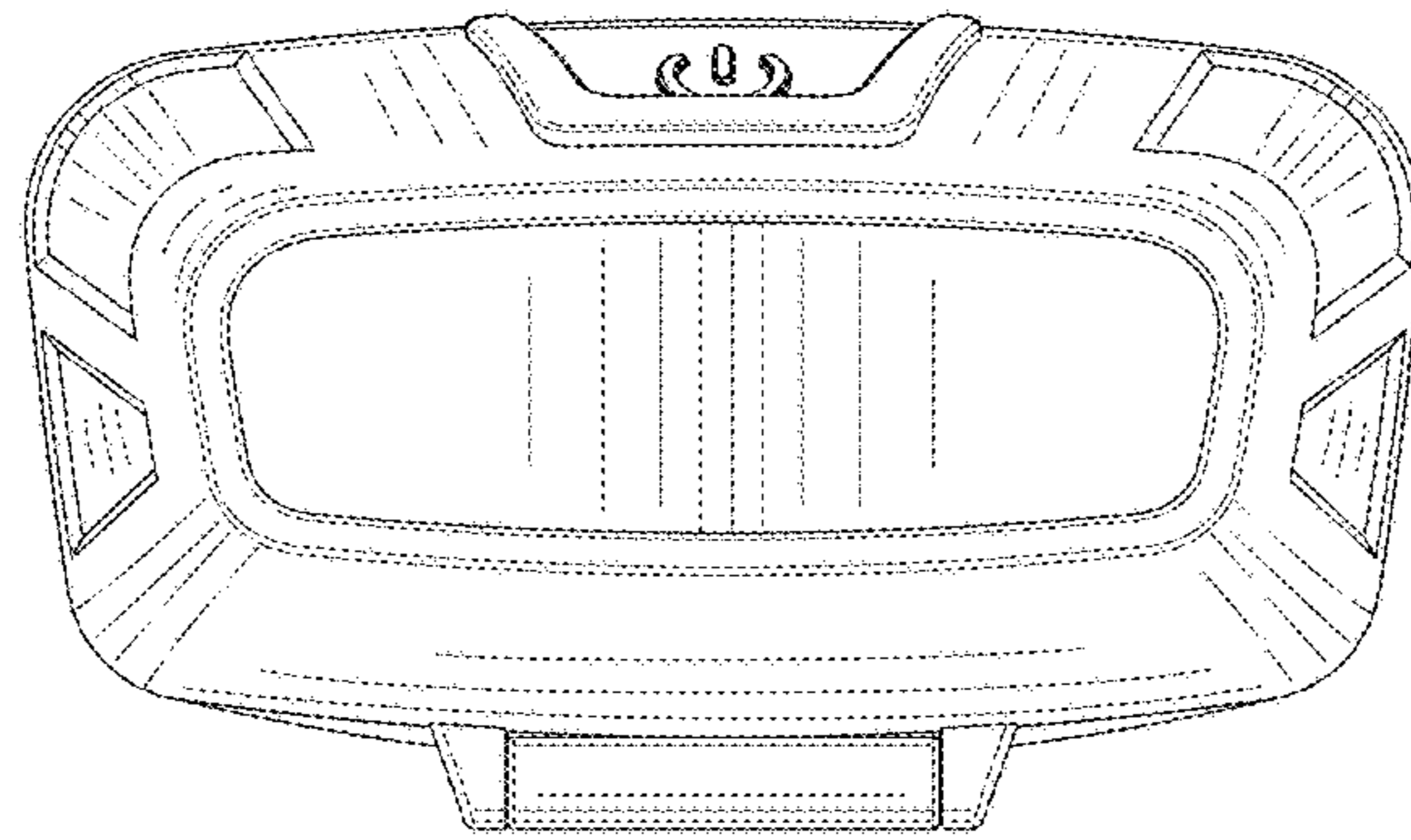


FIG. 3

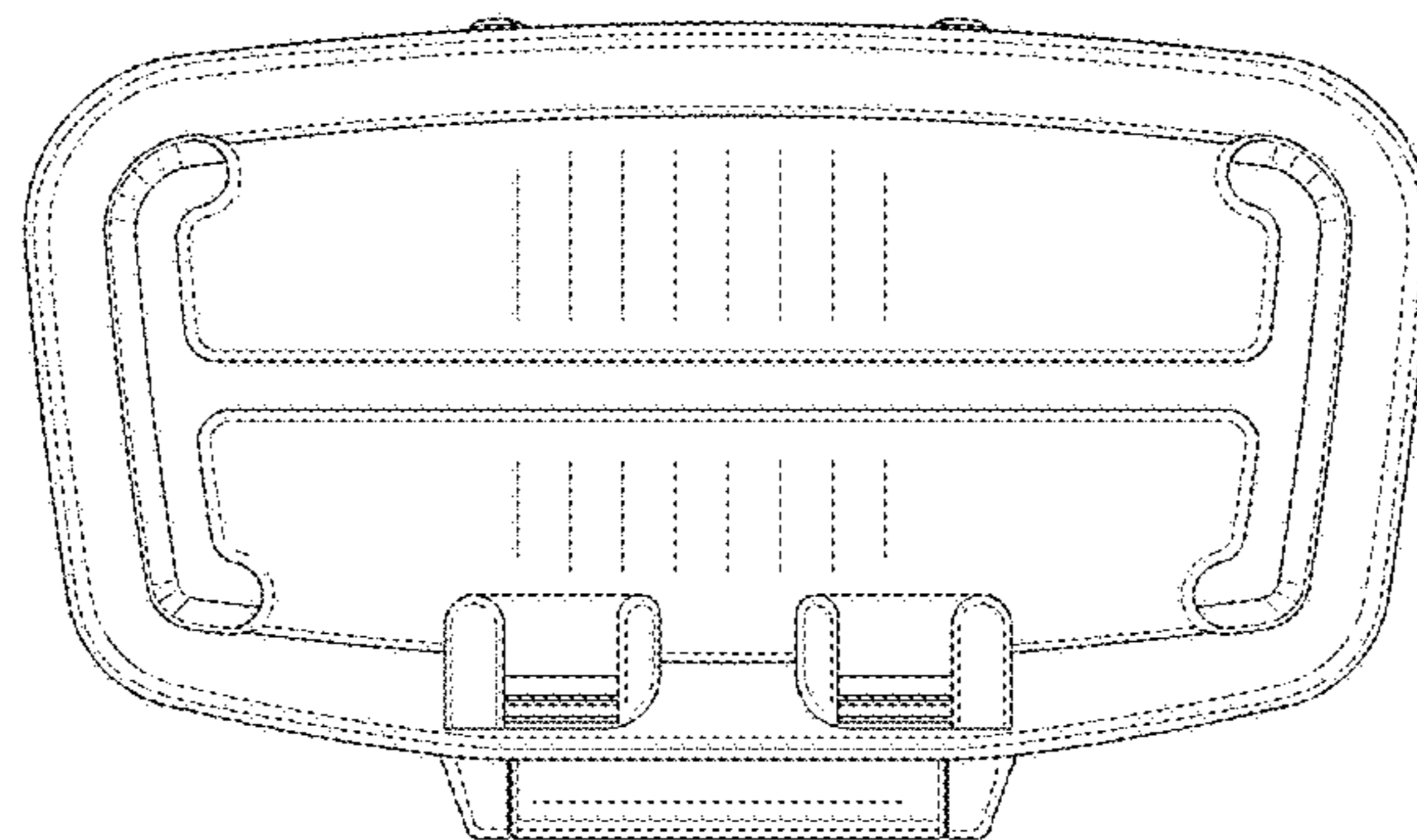


FIG. 4

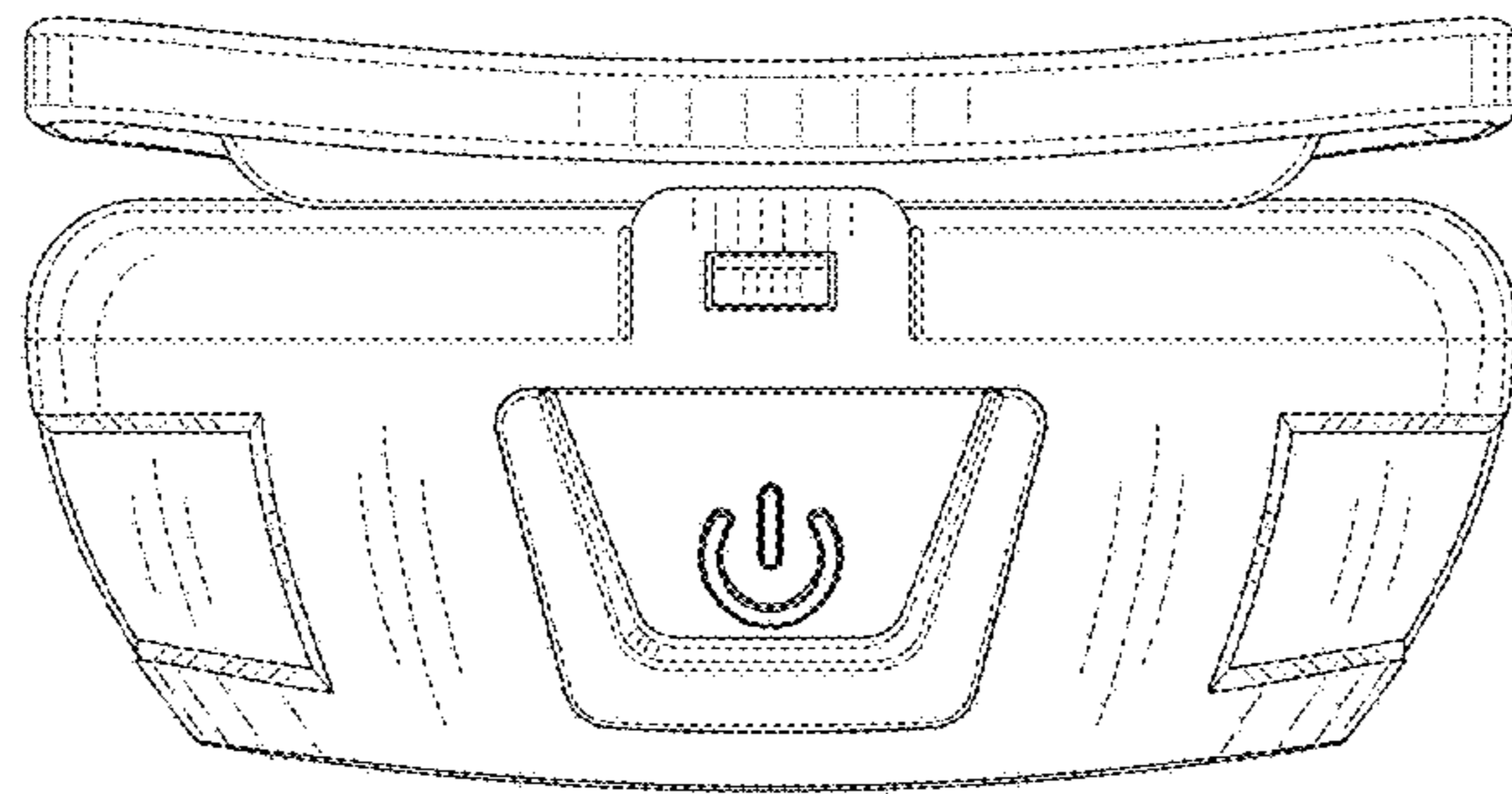


FIG. 5

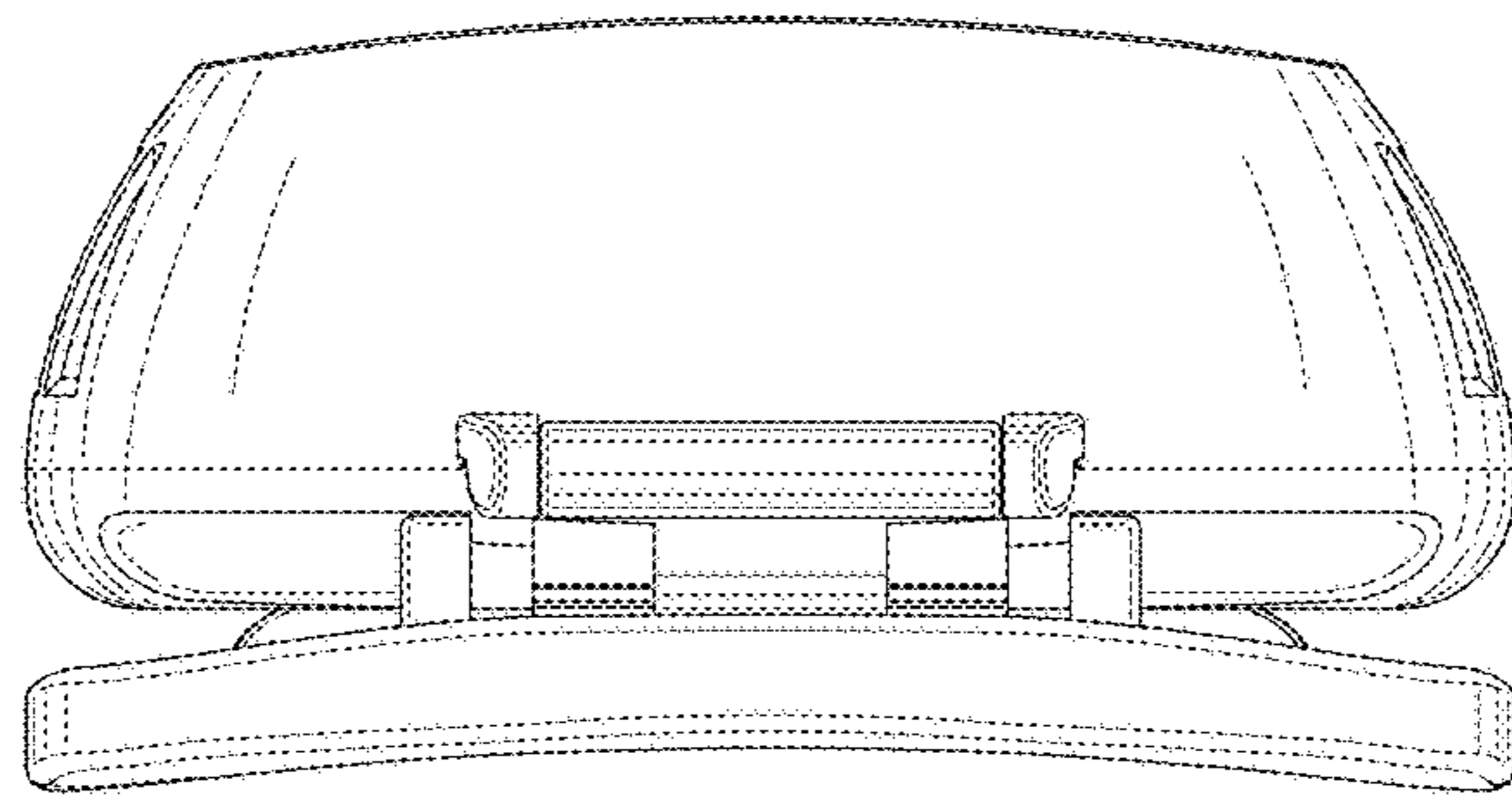


FIG. 6

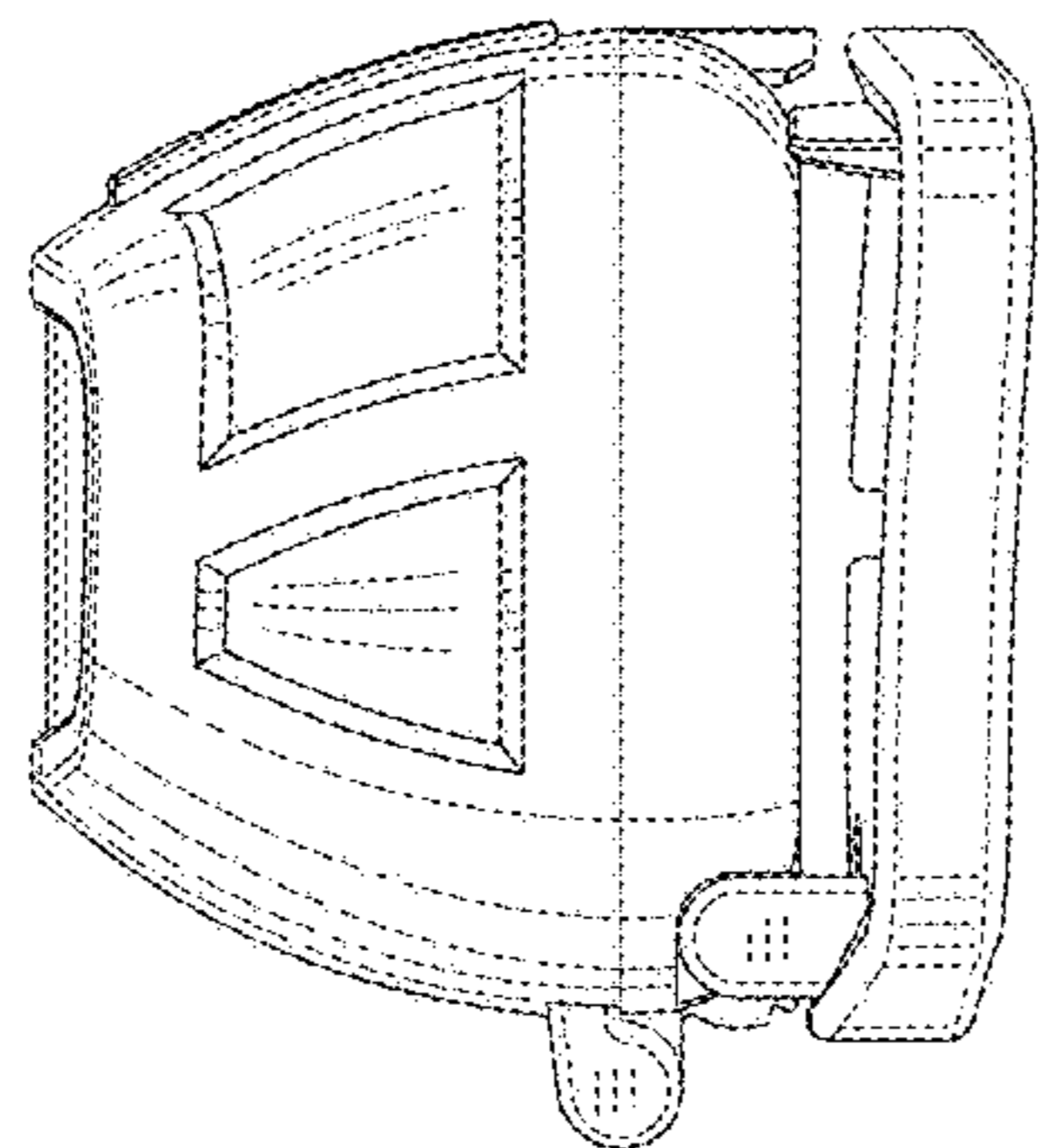


FIG. 7

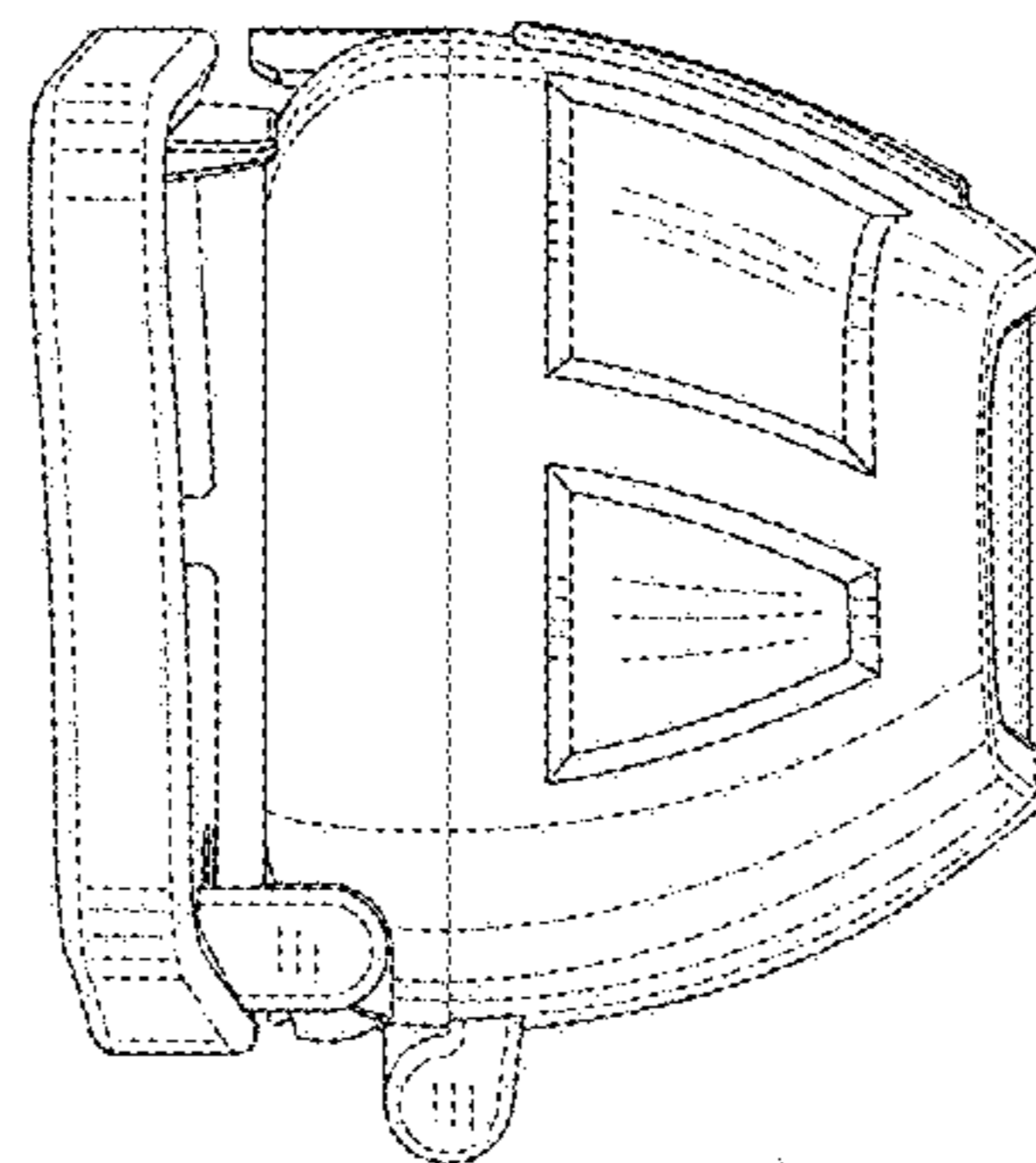


FIG. 8