



US00D845524S

(12) **United States Design Patent** (10) **Patent No.:** **US D845,524 S**
Lee et al. (45) **Date of Patent:** **** Apr. 9, 2019**

(54) **REAR COMBINATION LAMP FOR AN AUTOMOBILE**
(71) Applicants: **HYUNDAI MOTOR COMPANY**, Seoul (KR); **KIA MOTORS CORPORATION**, Seoul (KR)
(72) Inventors: **Sang Min Lee**, Seoul (KR); **Seo Hee Ahn**, Yongin-si (KR)
(73) Assignees: **Hyundai Motor Company**, Seoul (KR); **Kia Motors Corporation**, Seoul (KR)
(**) Term: **15 Years**

D655,836 S * 3/2012 Lee D26/28
D670,842 S * 11/2012 Fuchigami D26/28
D680,249 S * 4/2013 Iwai D26/28
D686,764 S * 7/2013 Hamilton D26/28
D686,765 S * 7/2013 Hamilton D26/28
D689,637 S * 9/2013 Kim D26/28
D701,983 S * 4/2014 Kong D26/28
D720,872 S * 1/2015 Lim D26/28
D720,873 S * 1/2015 Lim D26/28
D760,410 S * 6/2016 Arroba D26/28
D775,389 S * 12/2016 Tsai D26/28
D777,960 S * 1/2017 Han D26/28
D779,091 S * 2/2017 Giolito D26/28
D785,216 S * 4/2017 Park D26/28
D785,835 S * 5/2017 Lee D26/28
D785,836 S * 5/2017 Lee D26/28
D815,766 S * 4/2018 Park D26/28

(Continued)

(21) Appl. No.: **35/504,489**
(22) Filed: **Aug. 18, 2017**

(80) **Hague Agreement Data**
Int. Filing Date: **Aug. 18, 2017**
Int. Reg. No.: **DM/097407**
Int. Reg. Date: **Aug. 18, 2017**
Int. Reg. Pub. Date: **Feb. 23, 2018**

(30) **Foreign Application Priority Data**
May 31, 2017 (KR) 30-2017-0024610
(51) **LOC (11) Cl.** **26-06**
(52) **U.S. Cl.**
USPC **D26/35**
(58) **Field of Classification Search**
USPC D26/28, 35; D12/196; D21/433
CPC F21S 41/00; F21S 43/14; F21S 43/145;
F21S 43/15; F21S 43/20
See application file for complete search history.

(56) **References Cited**
U.S. PATENT DOCUMENTS
D601,729 S * 10/2009 Kuo D26/28
D630,352 S * 1/2011 Jeong D26/28

OTHER PUBLICATIONS

Protuninglab.com: 2011-2013 Hyundai Elantra Fiber-Optic Style LED Tail Lights—Black. Undated; 3 pages. Found online Nov. 7, 2018 at <https://www.protuninglab.com/20hyelfistle4.html>.*

Primary Examiner — Robert M. Spear
(74) *Attorney, Agent, or Firm* — Mintz Levin Cohn Ferris Glovsky and Popeo, P.C.; Kongsik Kim

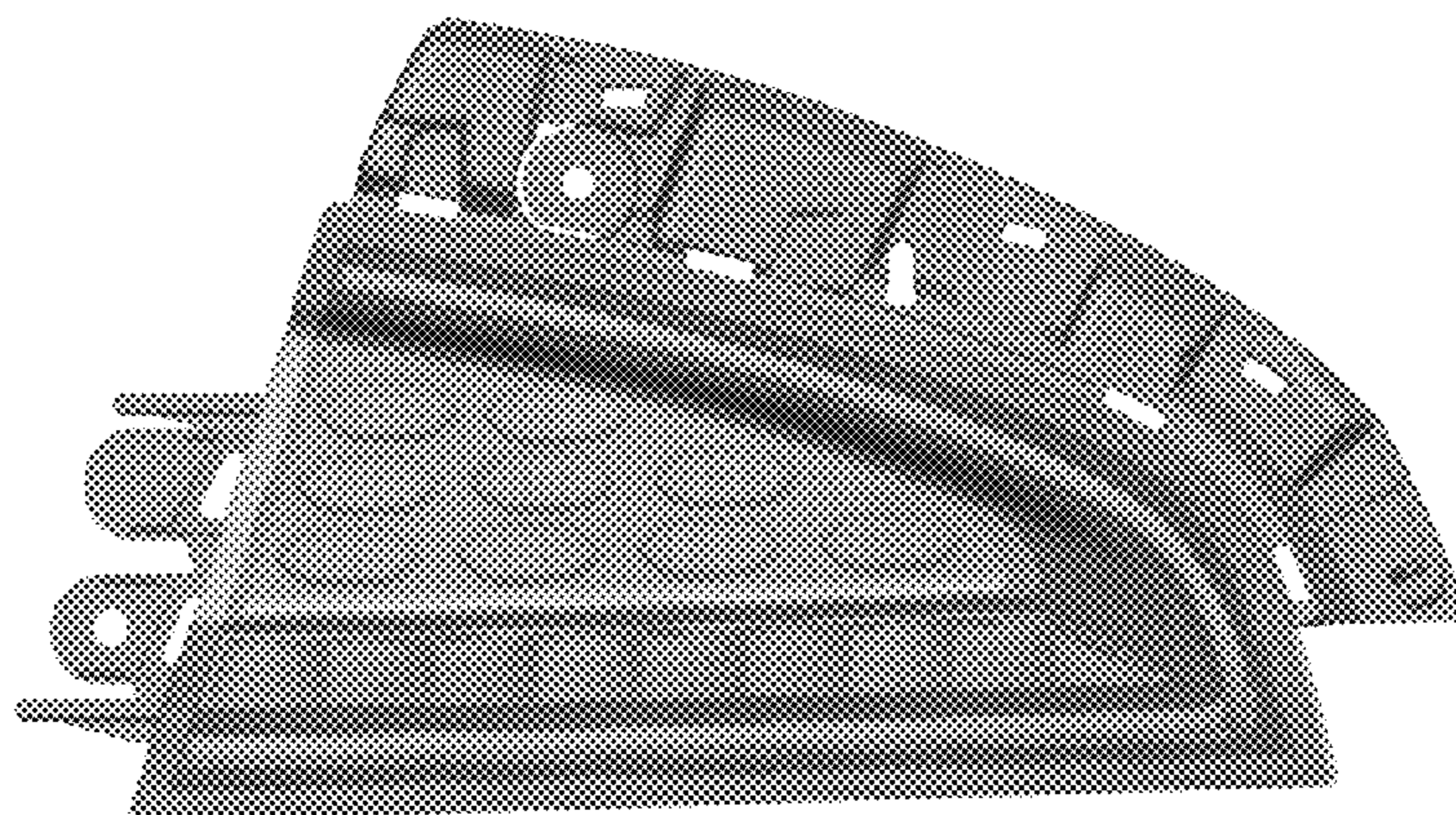
(57) **CLAIM**

The ornamental design for a rear combination lamp for an automobile, as shown and described.

DESCRIPTION

- 1. Rear combination lamp for an automobile
- 1.1 : Perspective
- 1.2 : Front
- 1.3 : Back
- 1.4 : Left
- 1.5 : Right
- 1.6 : Top
- 1.7 : Bottom

1 Claim, 7 Drawing Sheets



(56)

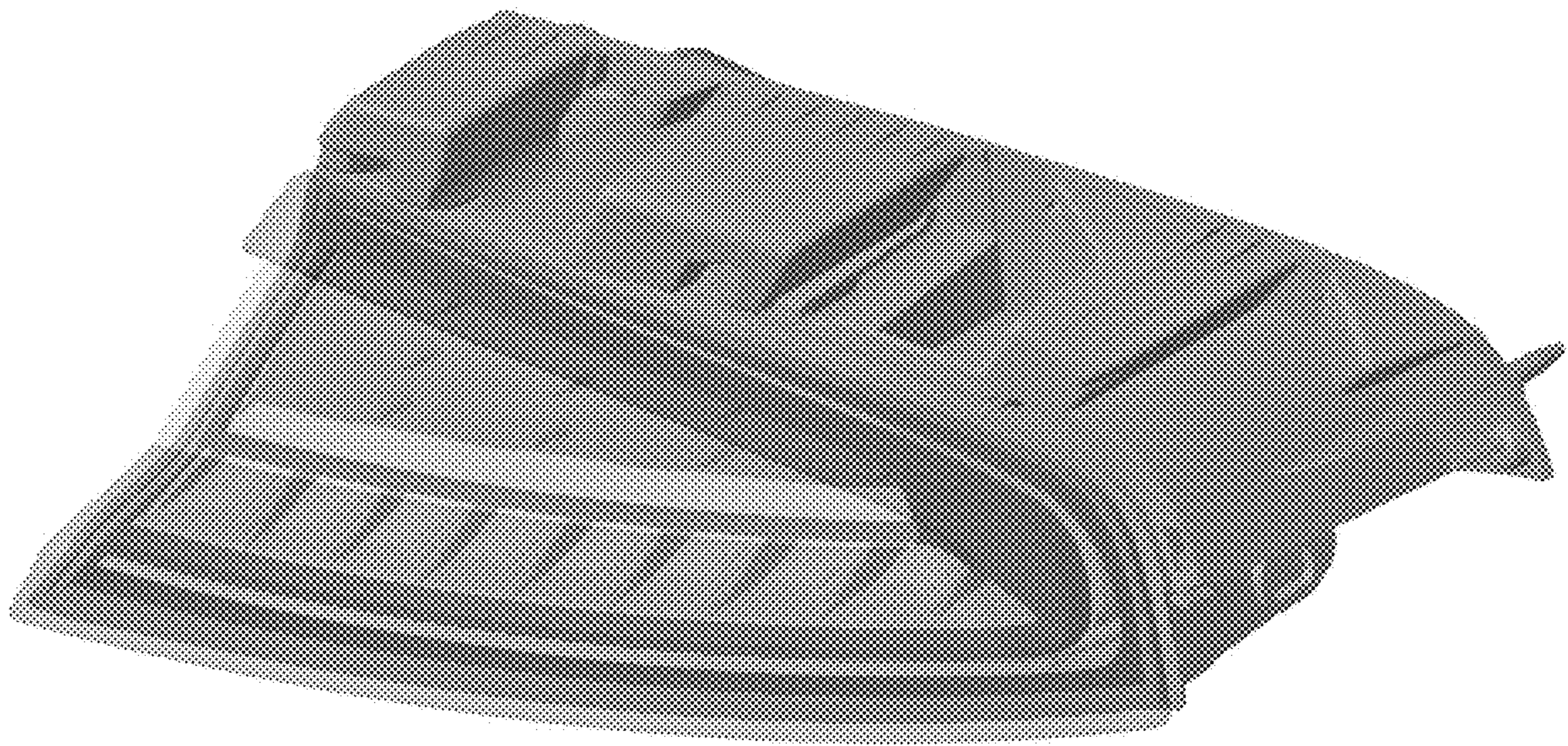
References Cited

U.S. PATENT DOCUMENTS

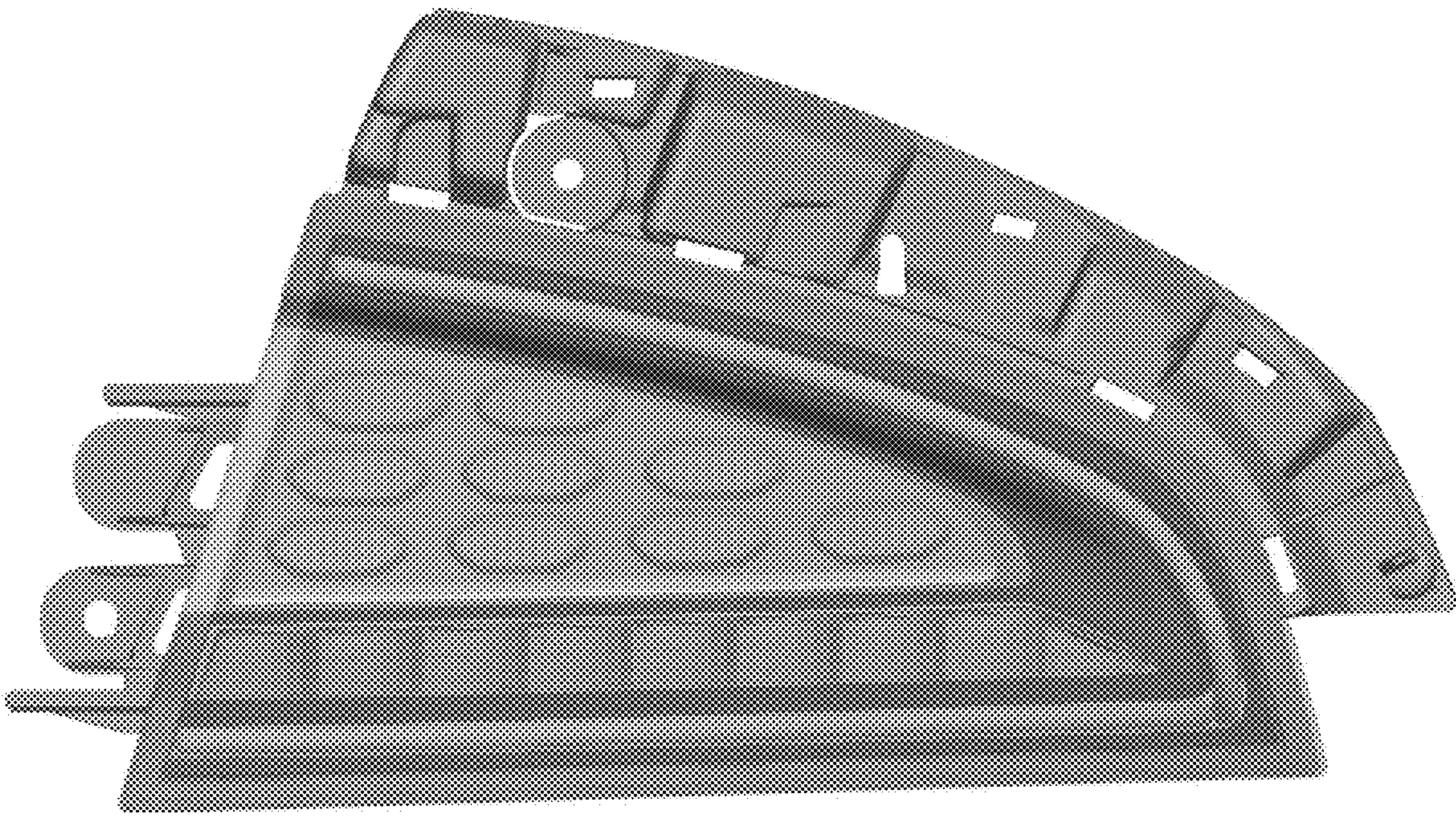
D825,800	S	*	8/2018	Peterson	D26/28
10,054,282	B2	*	8/2018	Baccarin	B60Q 1/0058
D827,886	S	*	9/2018	Komuro	D26/28
D832,477	S	*	10/2018	Ha	D26/28
D833,659	S	*	11/2018	Lee	D26/28

* cited by examiner

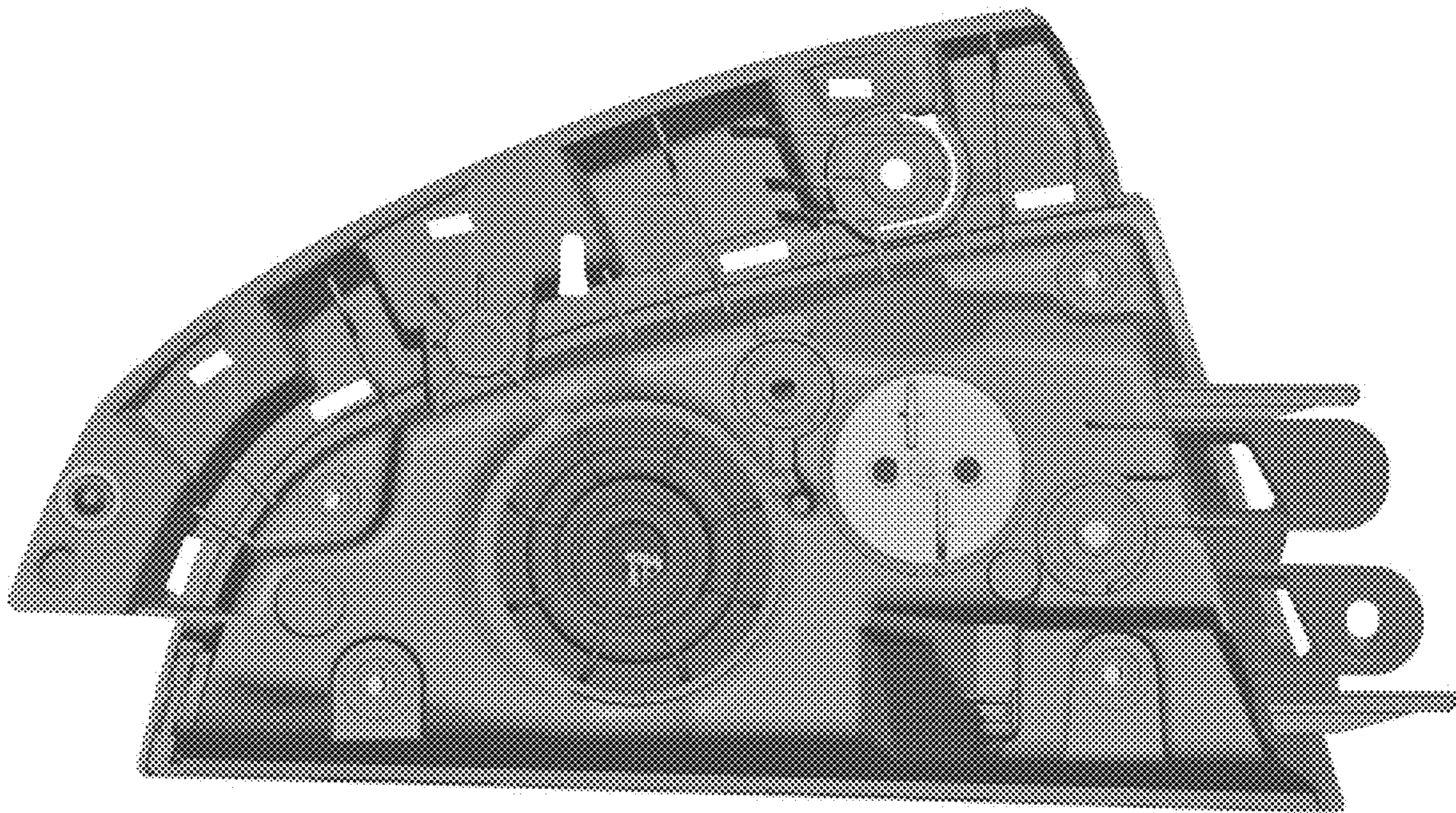
1.1



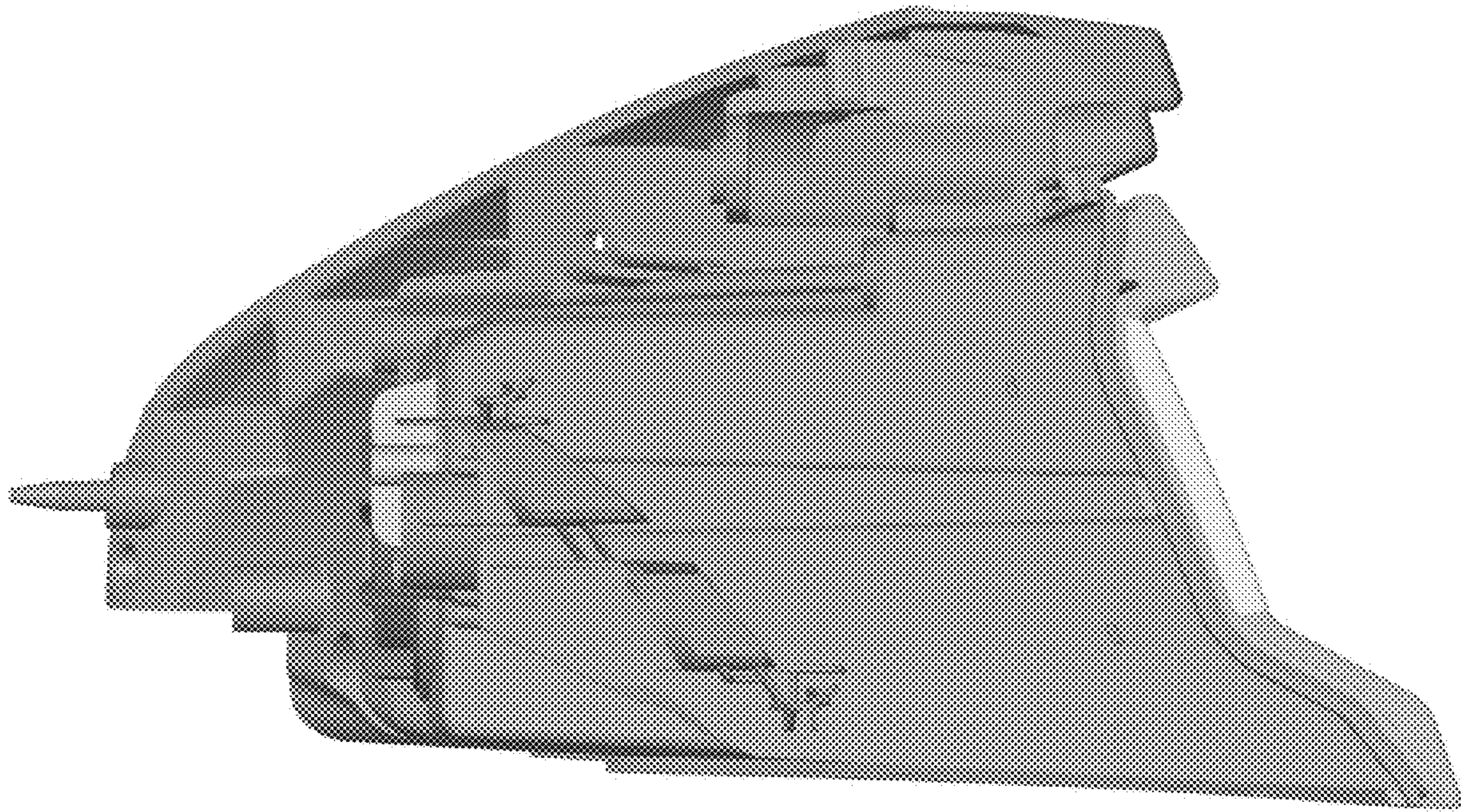
1.2



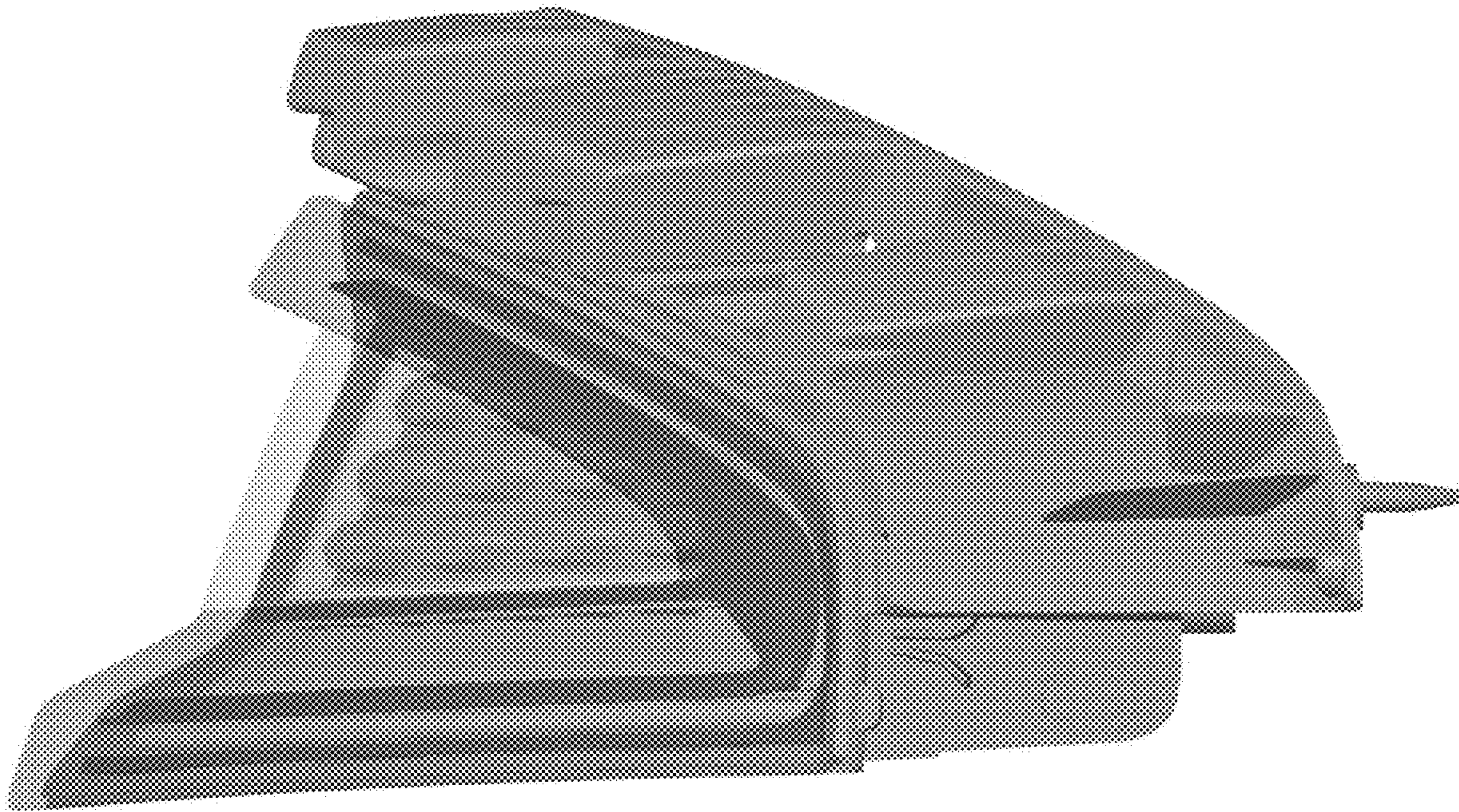
1.3



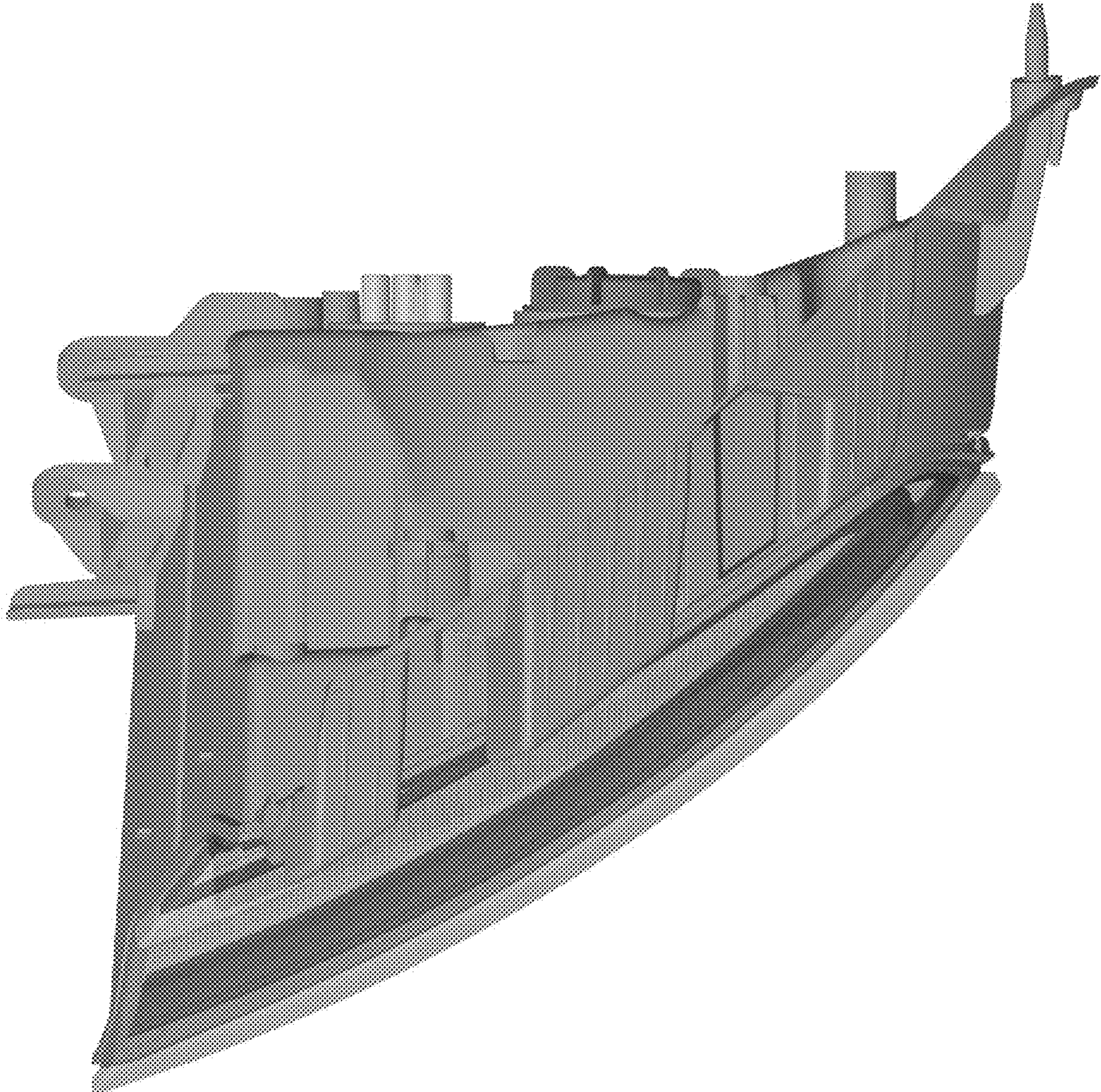
1.4



1.5



1.6



1.7

