



US00D845523S

(12) **United States Design Patent**
Vetter

(10) **Patent No.:** **US D845,523 S**

(45) **Date of Patent:** **** Apr. 9, 2019**

(54) **SIGNAL LAMP**

(71) Applicant: **Robert Bosch GmbH**, Stuttgart (DE)

(72) Inventor: **Michael Vetter**, Heimsheim (DE)

(73) Assignee: **Robert Bosch GmbH**, Stuttgart (DE)

(**) Term: **15 Years**

(21) Appl. No.: **29/591,909**

(22) Filed: **Jan. 25, 2017**

(51) **LOC (11) Cl.** **26-06**

(52) **U.S. Cl.**

USPC **D26/31**

(58) **Field of Classification Search**

USPC D26/28–36

CPC F21S 48/00; F21S 48/10; F21S 48/115;
F21S 48/225; F21S 48/1233; F21S
48/1266; F21S 48/1388; F21S 48/2268;
F21V 21/04

See application file for complete search history.

(56) **References Cited**

U.S. PATENT DOCUMENTS

D526,430 S * 8/2006 Hernandez D26/31
D576,754 S * 9/2008 Wang D26/31
D653,783 S * 2/2012 Biro D26/31

* cited by examiner

Primary Examiner — Marcus A Jackson

(74) *Attorney, Agent, or Firm* — Maginot, Moore & Beck
LLP

(57) **CLAIM**

The ornamental design for a signal lamp, as shown and described.

DESCRIPTION

FIG. 1 is a perspective view of a signal lamp showing my new design;

FIG. 2 is a front elevational view of the signal lamp of FIG. 1;

FIG. 3 is a rear side elevational view of the signal lamp of FIG. 1;

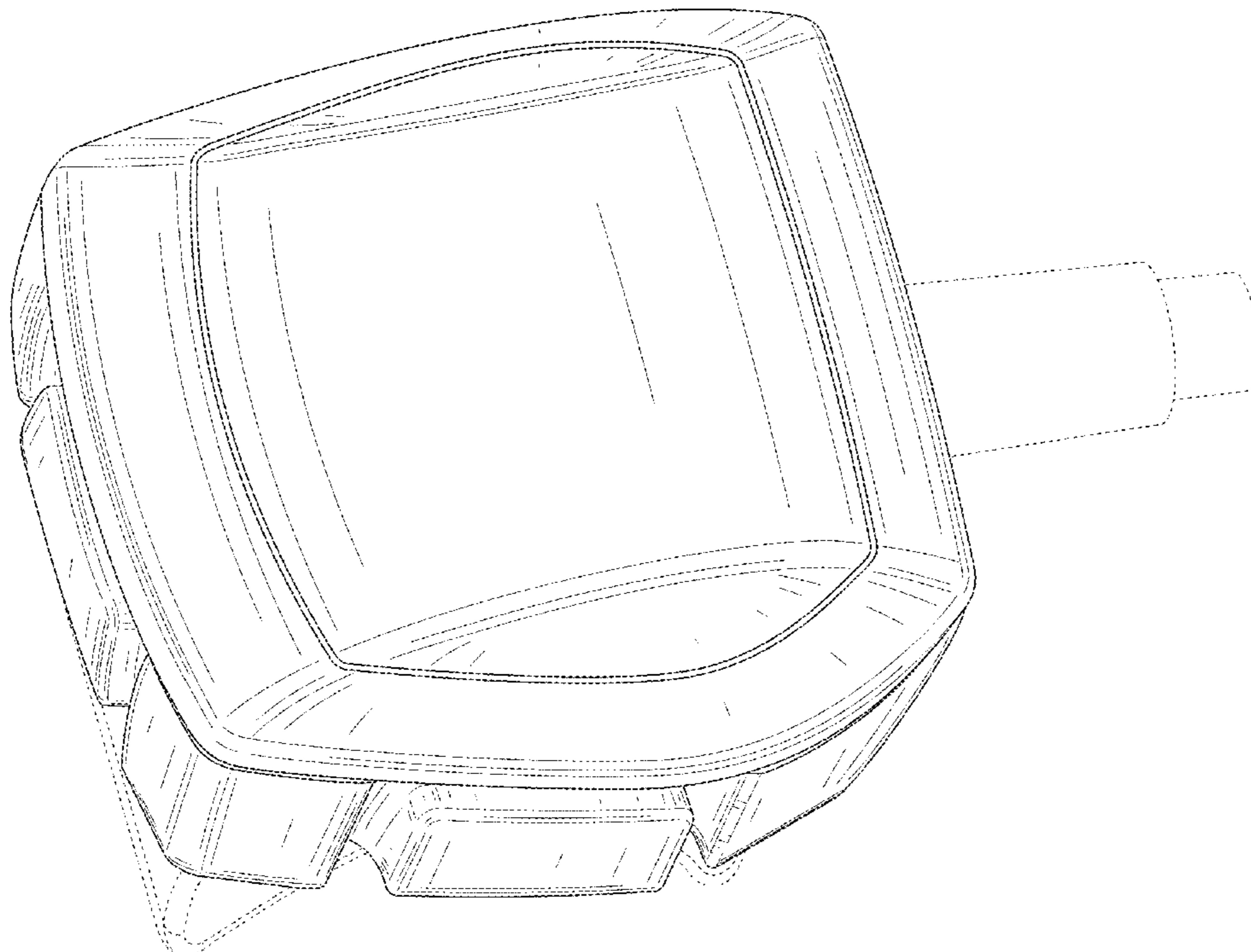
FIG. 4 is a left side elevational view of the signal lamp of FIG. 1;

FIG. 5 is a right side elevational view of the signal lamp of FIG. 1;

FIG. 6 is a top plan view of the signal lamp of FIG. 1; and,

FIG. 7 is a bottom plan view of the signal lamp of FIG. 1. The broken lines shown in the drawings illustrate portions of the signal lamp that form no part of the claimed design.

1 Claim, 7 Drawing Sheets



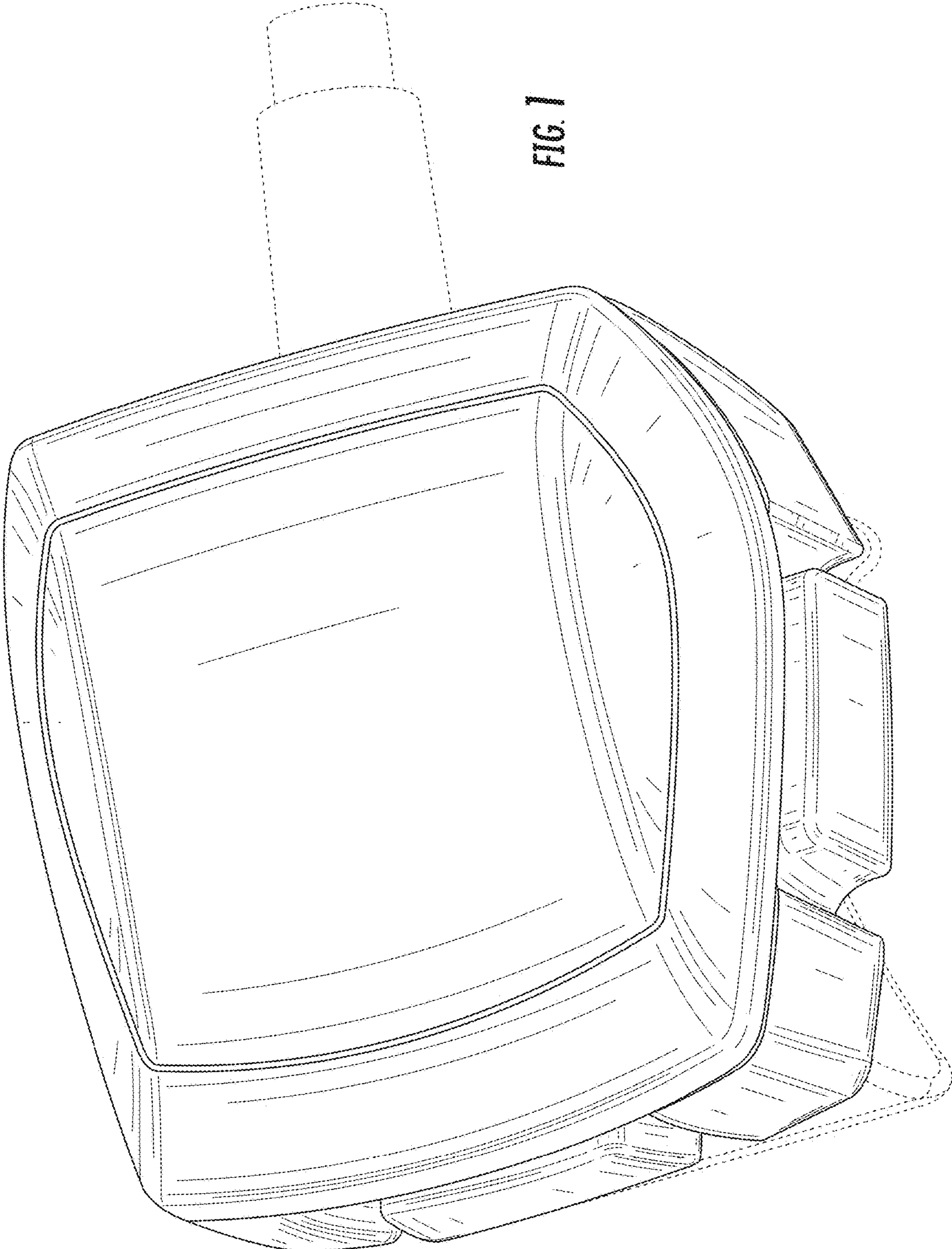


FIG. 1

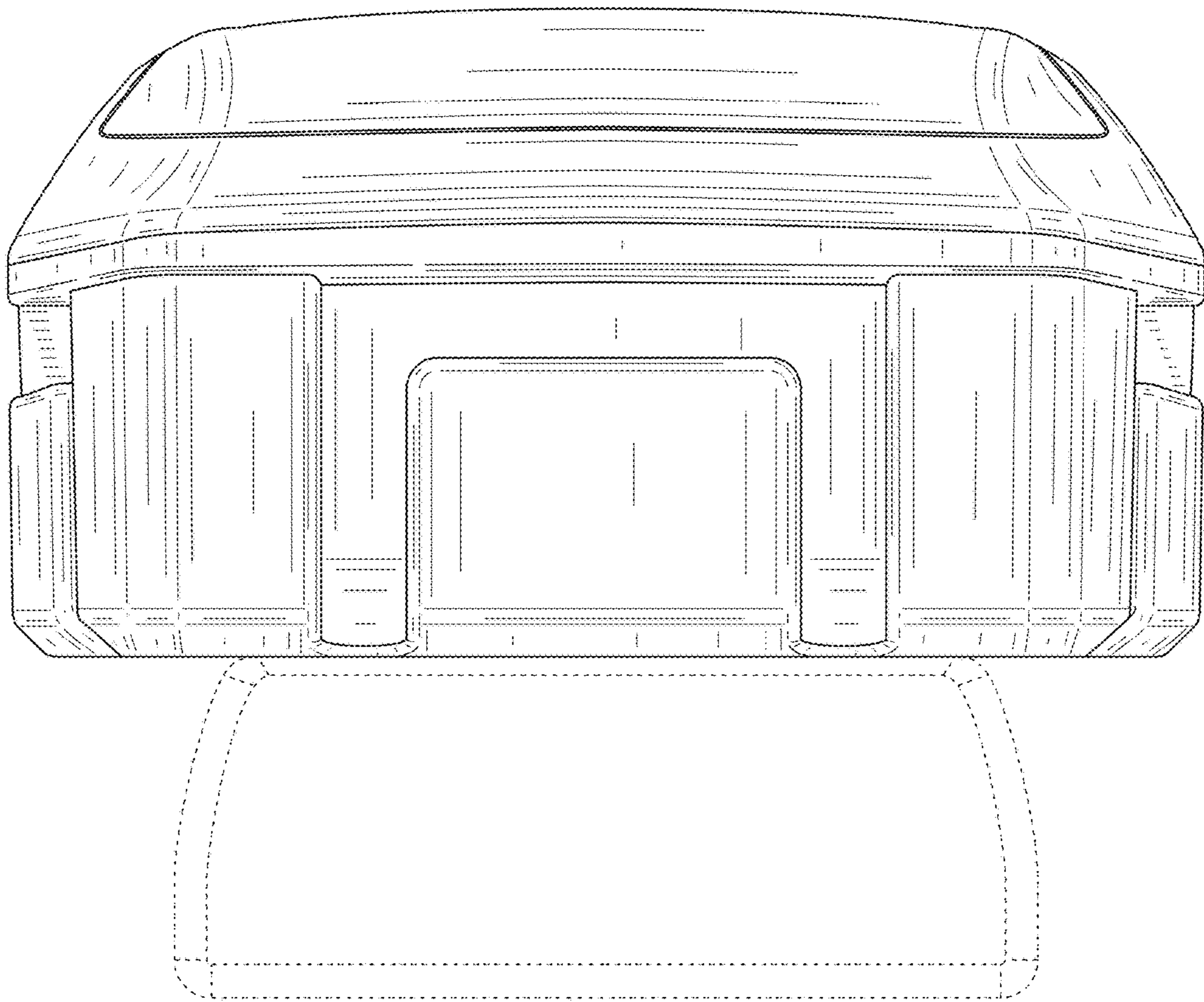


FIG. 2

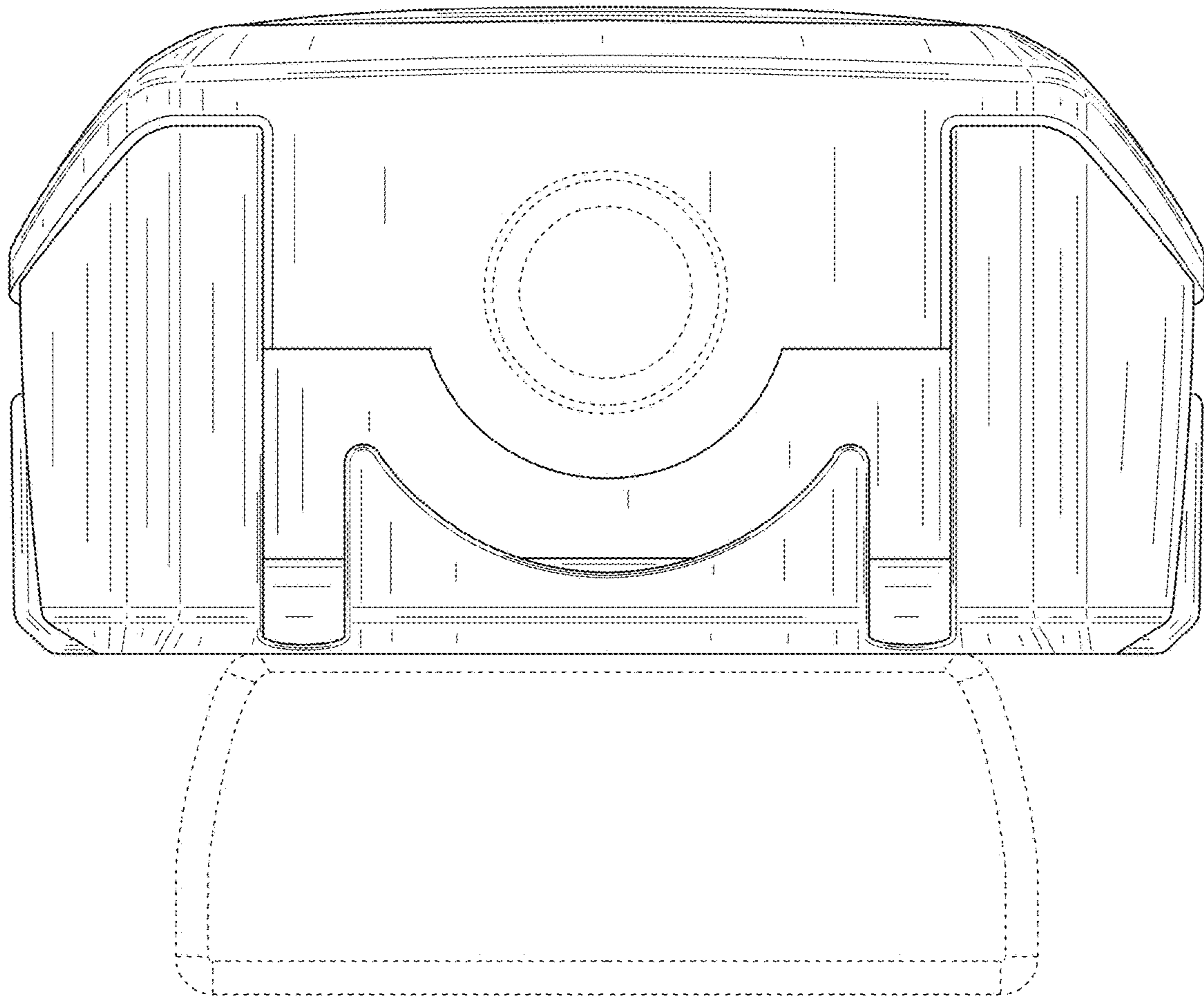
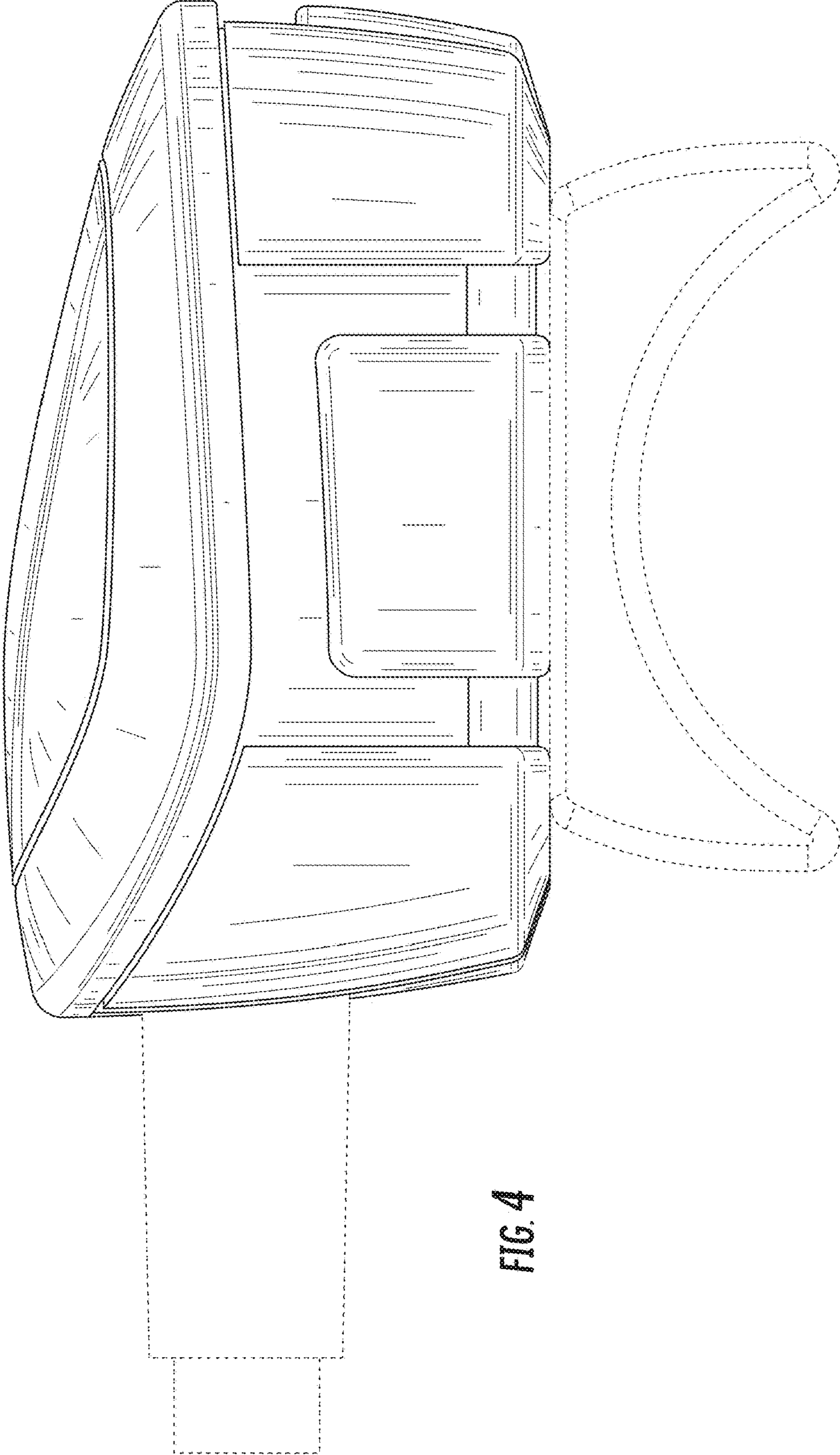


FIG. 3



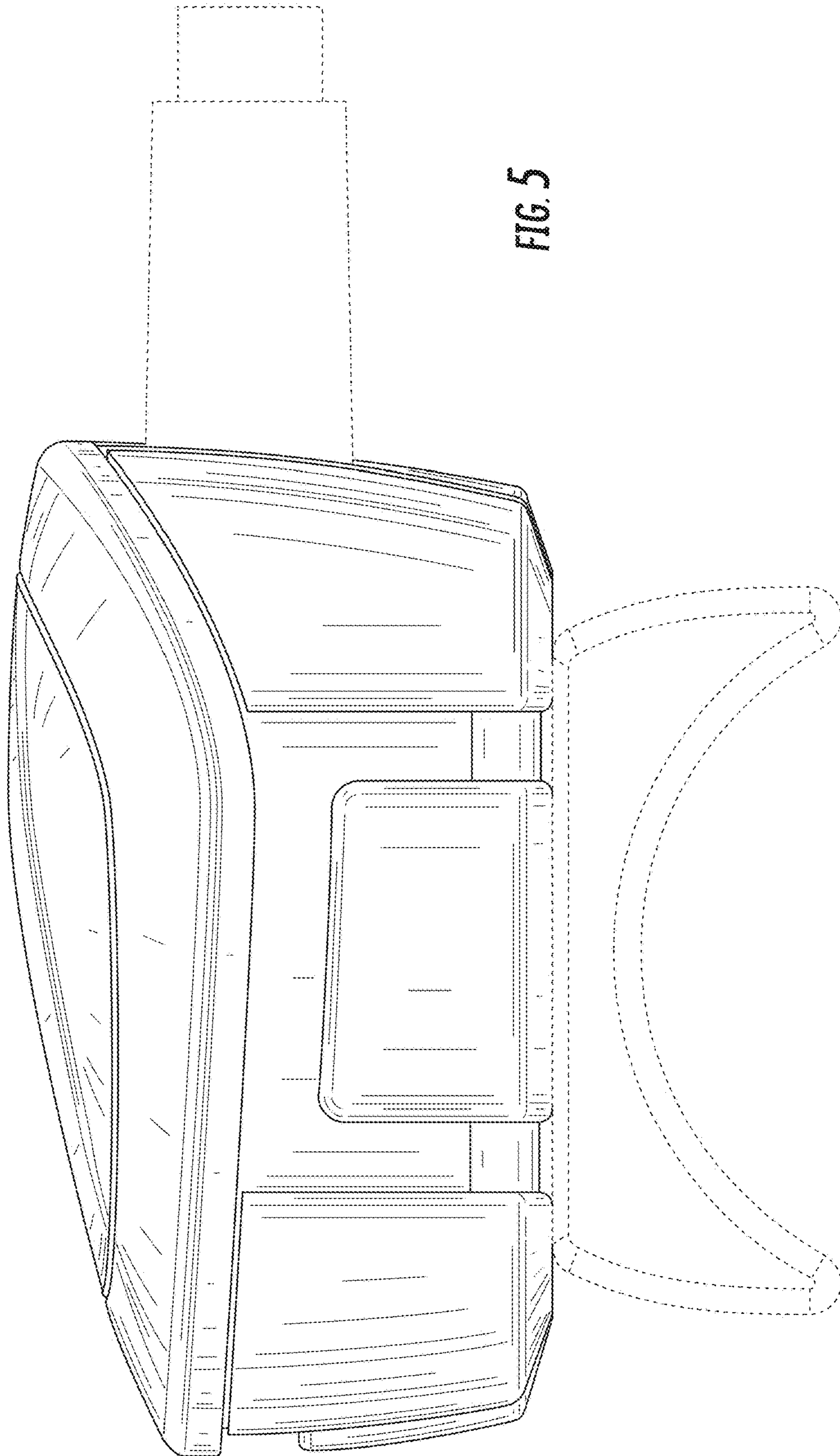


FIG. 5

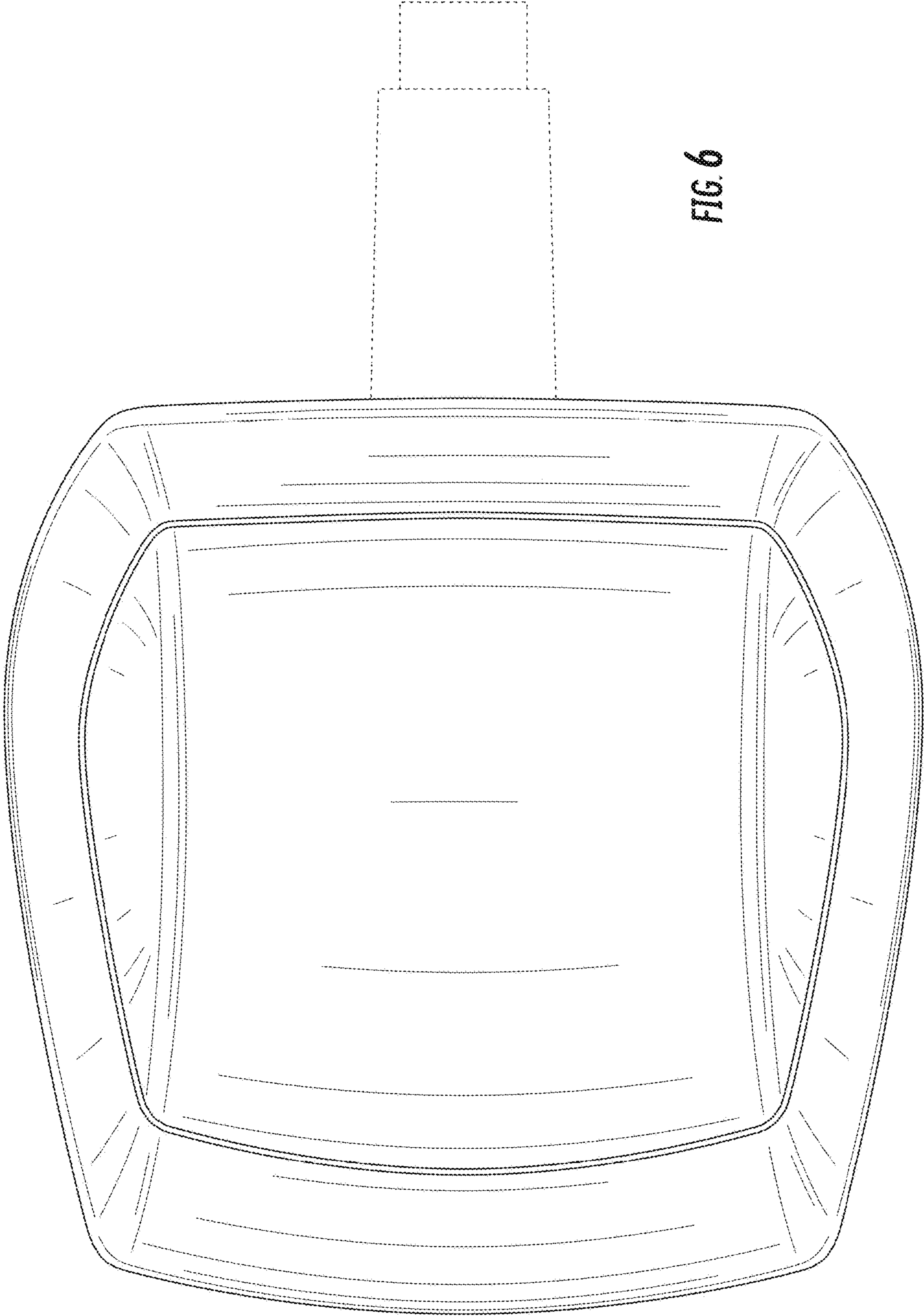


FIG. 6

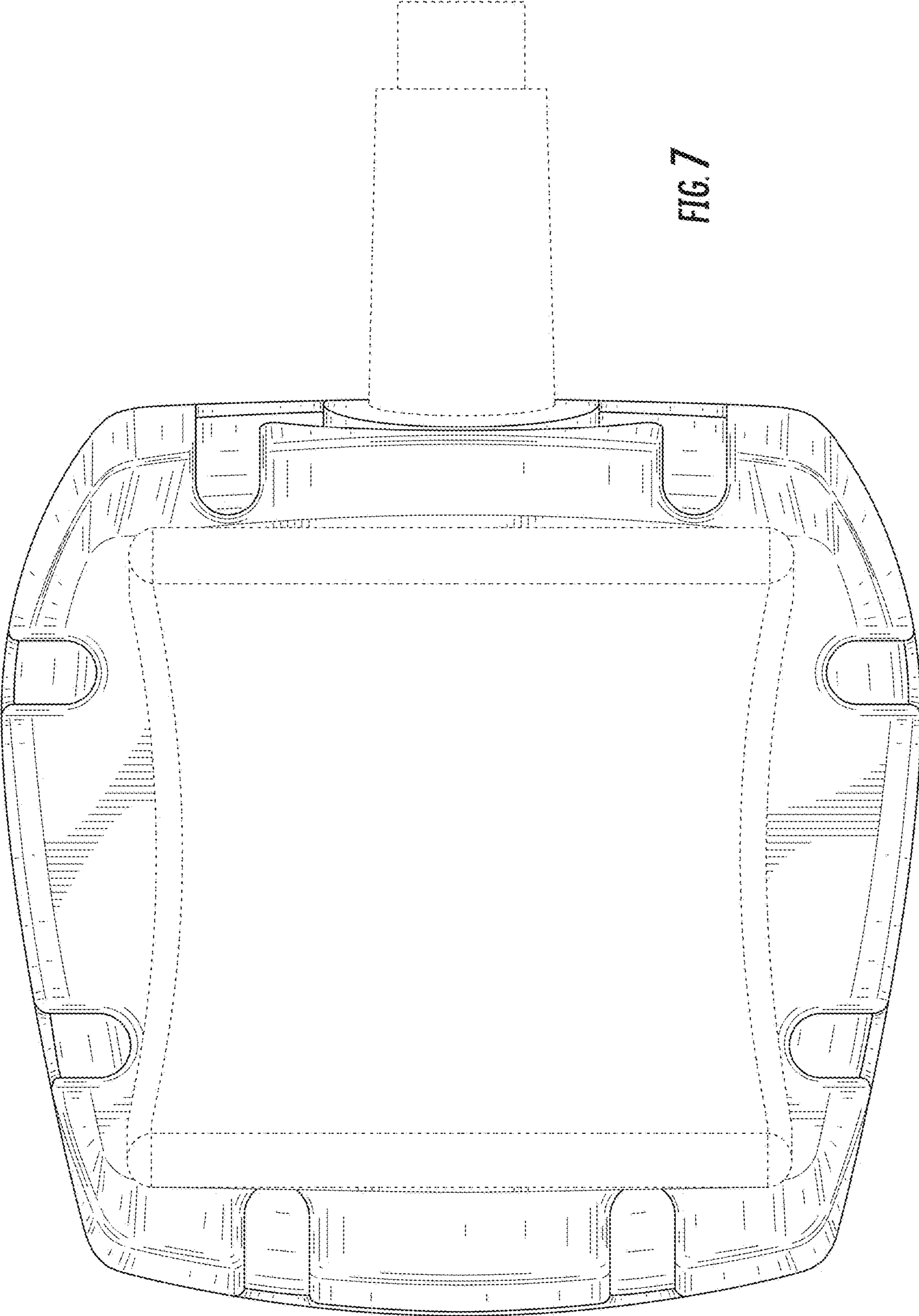


FIG. 7

UNITED STATES PATENT AND TRADEMARK OFFICE
CERTIFICATE OF CORRECTION

PATENT NO. : D845,523 S
APPLICATION NO. : 29/591909
DATED : April 9, 2019
INVENTOR(S) : Michael Vetter

Page 1 of 1

It is certified that error appears in the above-identified patent and that said Letters Patent is hereby corrected as shown below:

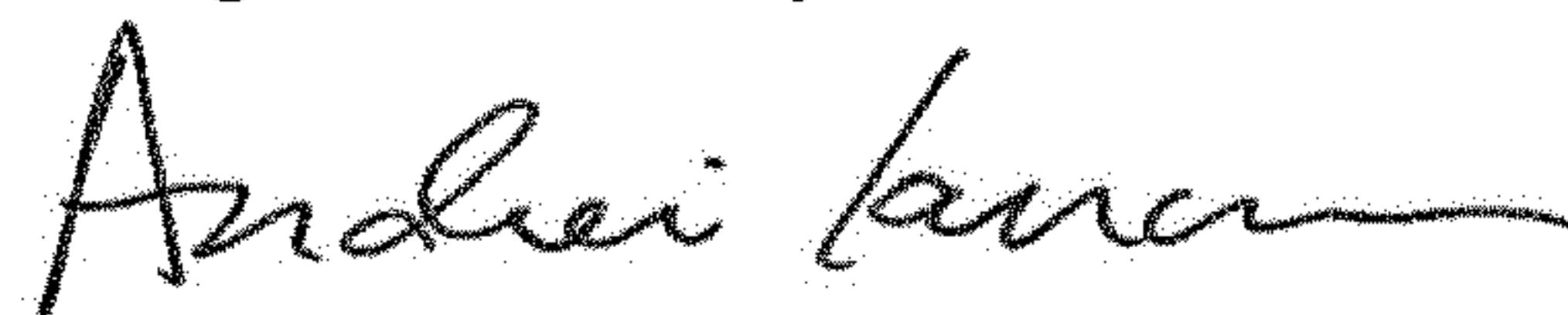
On the Title Page

Item (30) should be added as follows:

(30) Foreign Application Priority Data

Jul. 27, 2016 (EM) 003 320 498

Signed and Sealed this
Eighteenth Day of June, 2019



Andrei Iancu
Director of the United States Patent and Trademark Office