



US00D845522S

(12) **United States Design Patent** (10) **Patent No.:** **US D845,522 S**
Xu (45) **Date of Patent:** **** Apr. 9, 2019**

(54) **CAR LIGHT**

(56) **References Cited**

(71) Applicant: **Zhongshan Eastar Optoelectronic Technology Co., Ltd., Zhongshan (CN)**

U.S. PATENT DOCUMENTS

(72) Inventor: **Baozhou Xu, Zhongshan (CN)**

D720,483 S * 12/2014 Saddig D26/28
D740,984 S * 10/2015 Chen D26/28
D769,490 S * 10/2016 Ma D26/28
D777,961 S * 1/2017 Wu D26/28

(73) Assignee: **Zhongshan Eastar Optoelectronic Technology Co., Ltd., Zhongshan (CN)**

* cited by examiner

(**) Term: **15 Years**

Primary Examiner — Marcus A Jackson
(74) *Attorney, Agent, or Firm* — W&K IP

(21) Appl. No.: **29/633,391**

(57) **CLAIM**

(22) Filed: **Jan. 13, 2018**

The ornamental design for a car light, as shown and described.

(51) **LOC (11) Cl.** **26-06**

DESCRIPTION

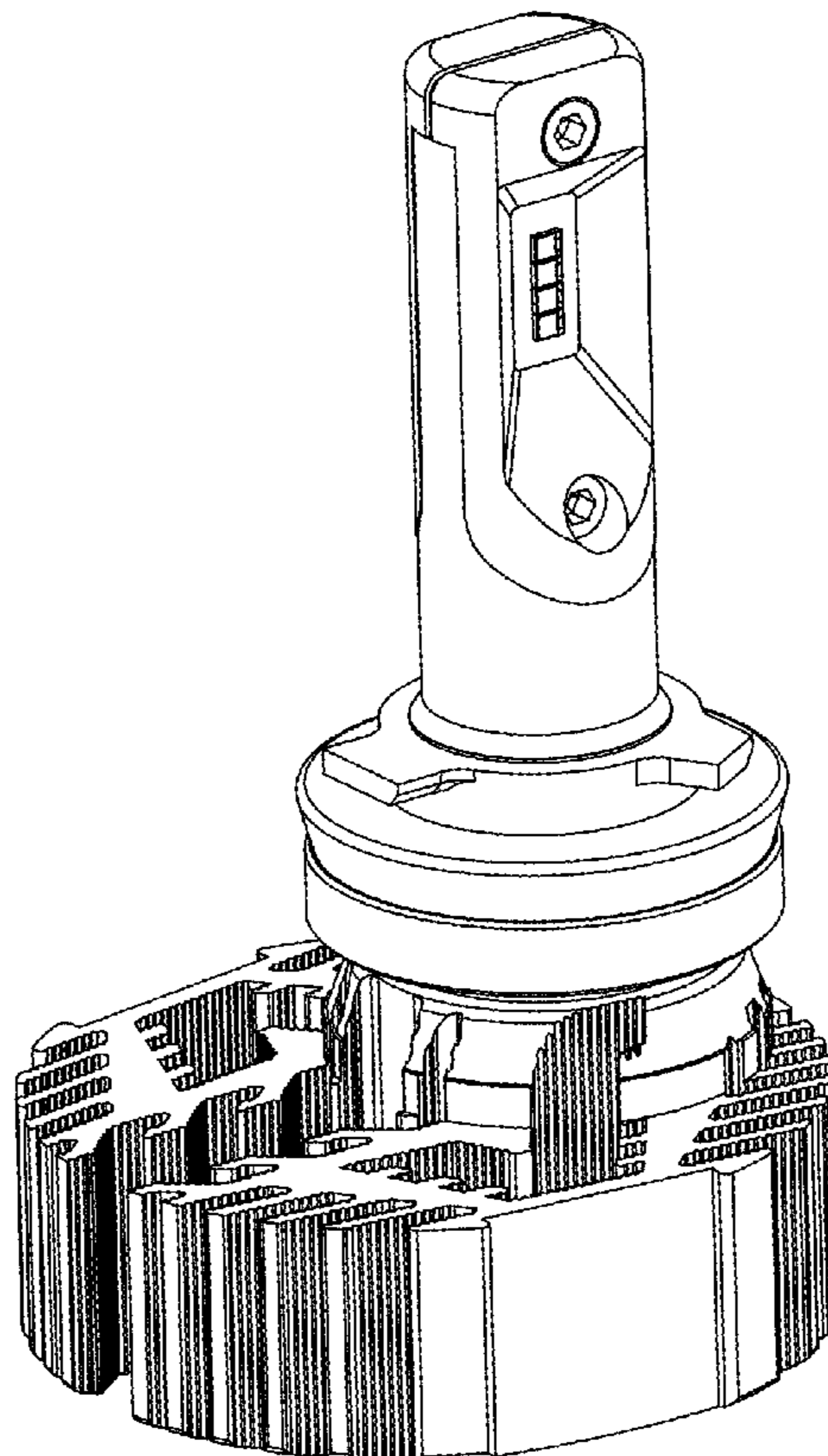
(52) **U.S. Cl.**
USPC **D26/28**

(58) **Field of Classification Search**
USPC D26/28-36
CPC B60Q 9/13; B60Q 9/135; B60Q 9/1375;
F21S 48/00; F21S 48/10; F21S 48/115;
F21S 48/225; F21S 48/1233; F21S
48/1266; F21S 48/1388; F21S 48/2268;
F21V 21/04

FIG. 1 is a front view of a car light;
FIG. 2 is a back view thereof;
FIG. 3 is a left side view thereof;
FIG. 4 is a right side view thereof;
FIG. 5 is a top plan view thereof;
FIG. 6 is a bottom plan view thereof;
FIG. 7 is a perspective view thereof; and,
FIG. 8 is another perspective view thereof.

See application file for complete search history.

1 Claim, 8 Drawing Sheets



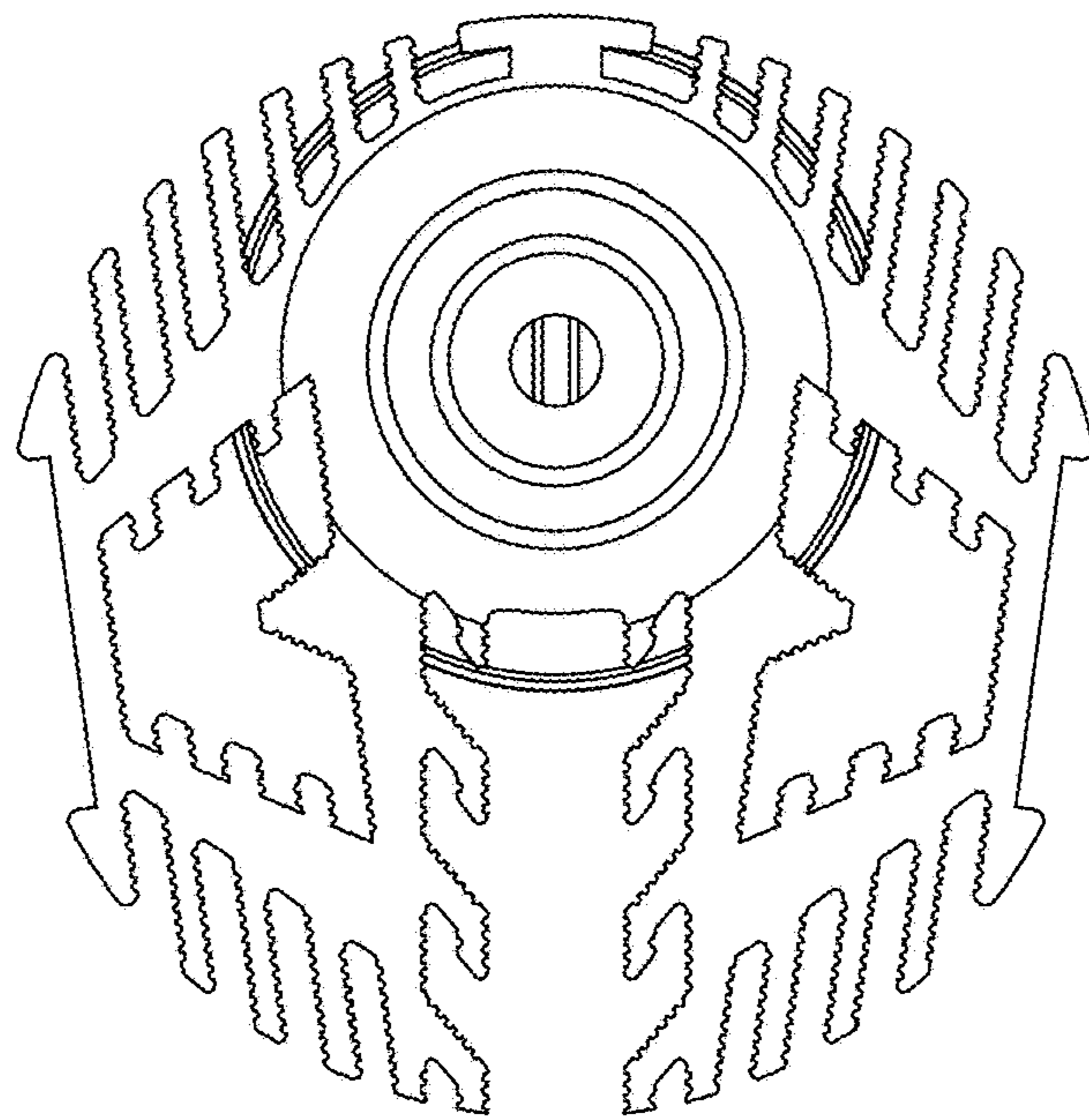


FIG. 1

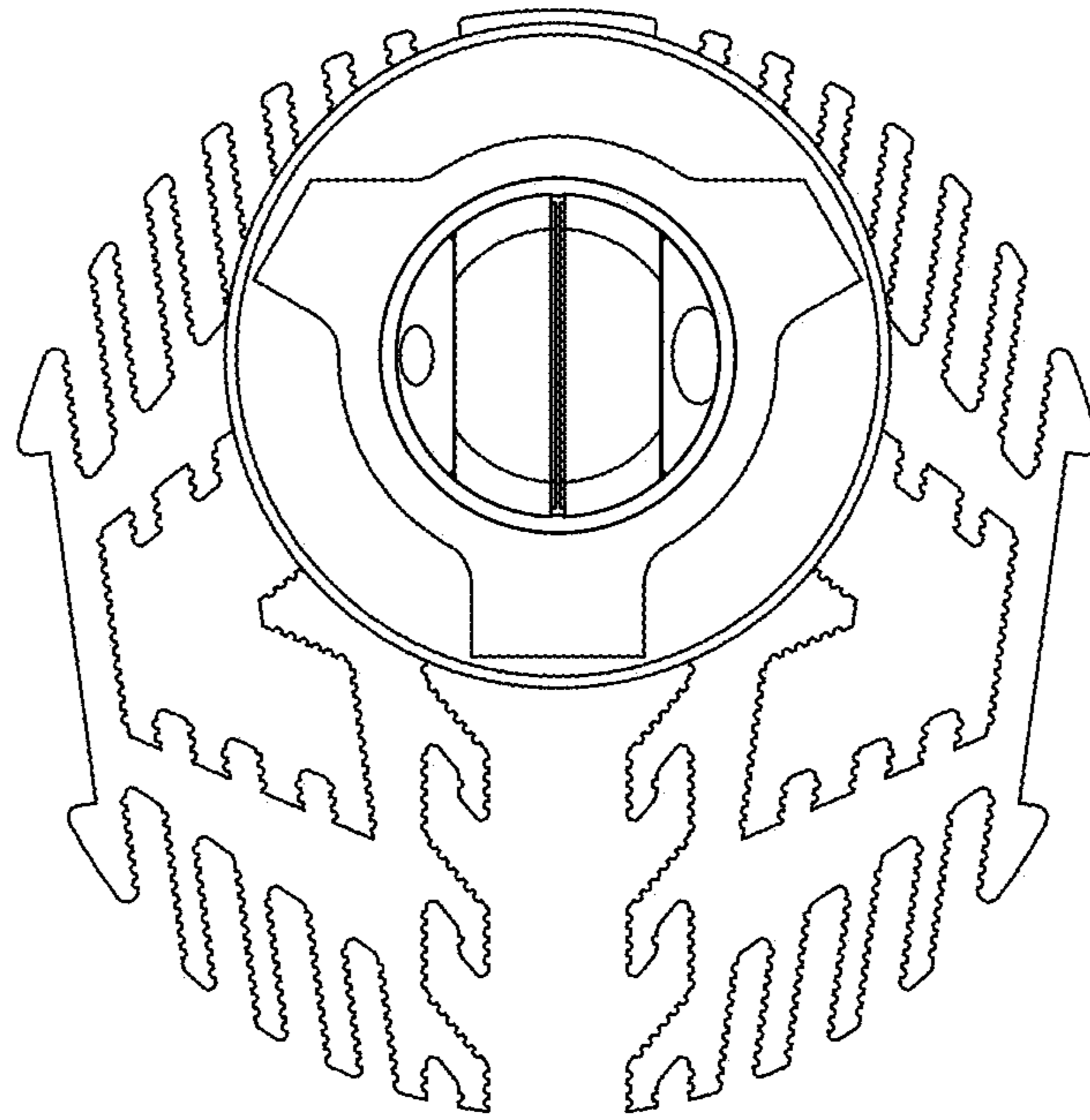


FIG.2

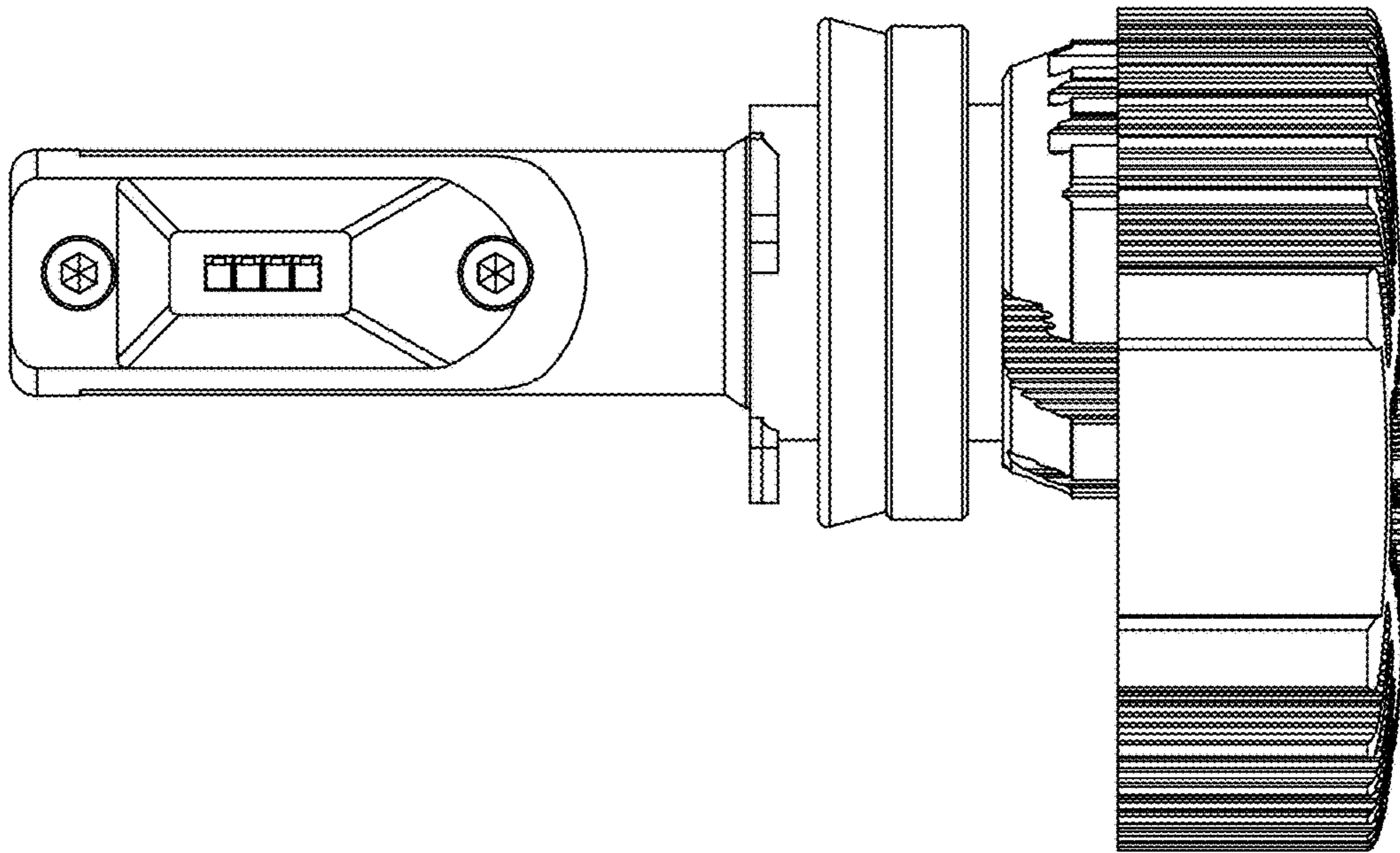


FIG.3

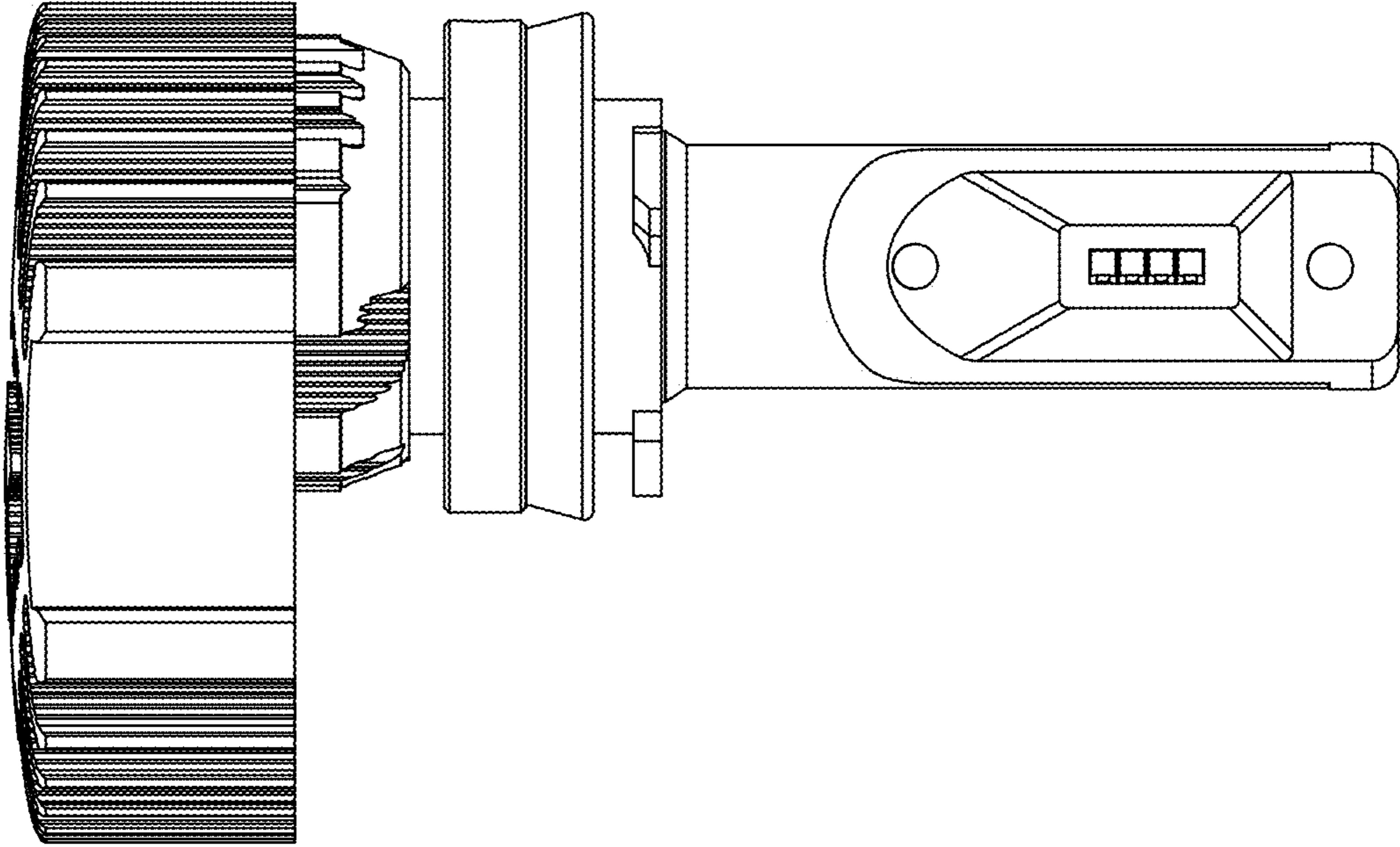


FIG.4

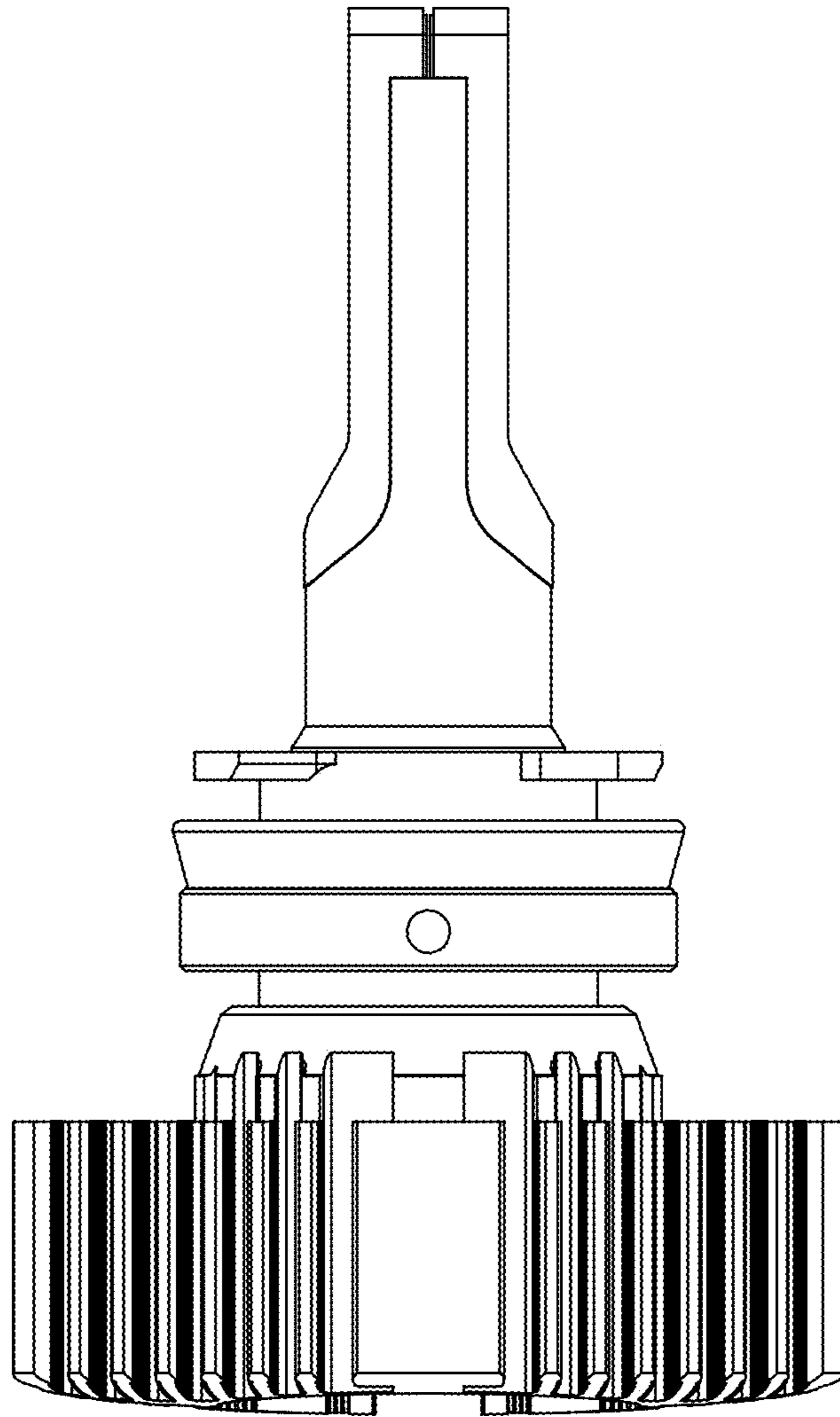


FIG. 5

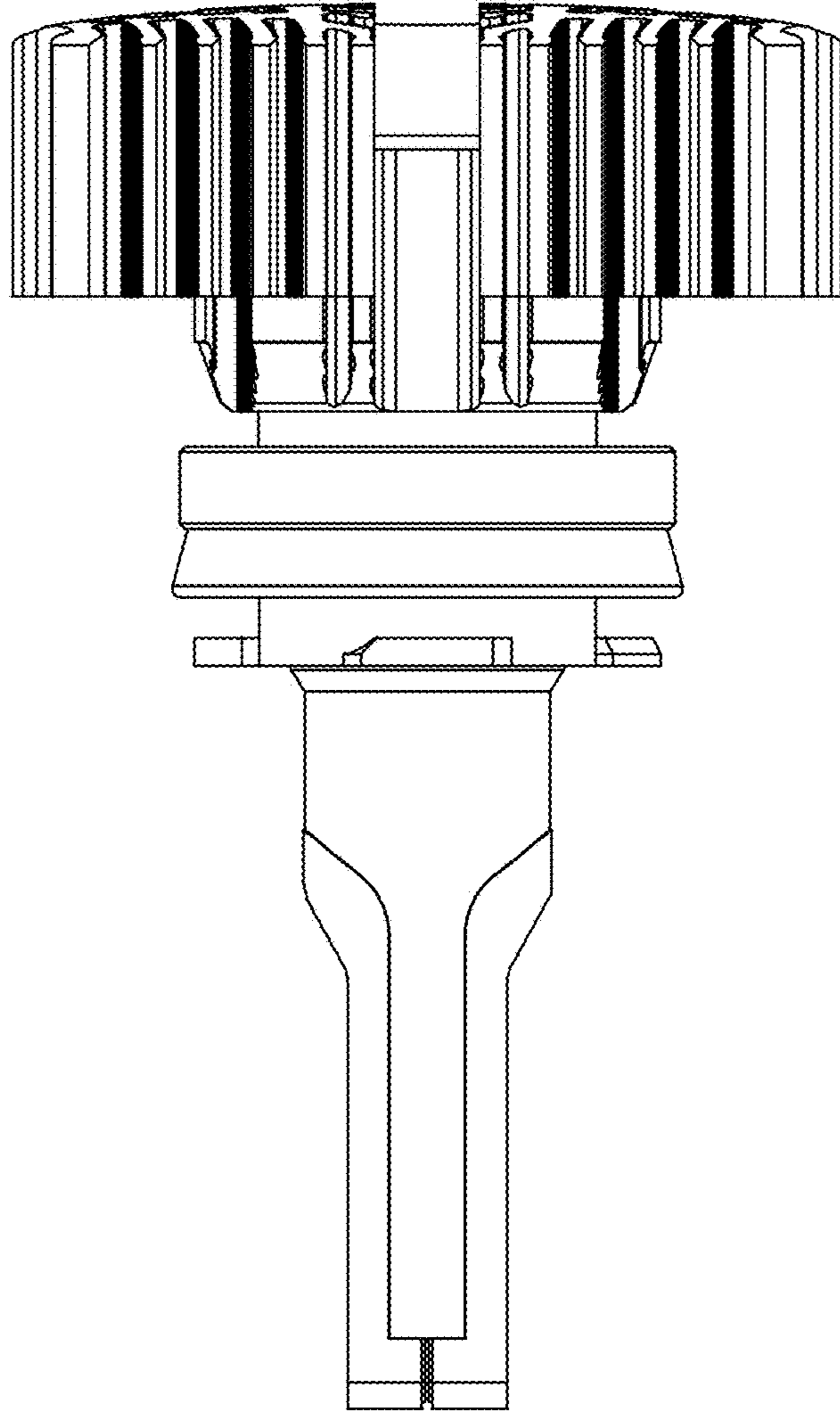


FIG.6

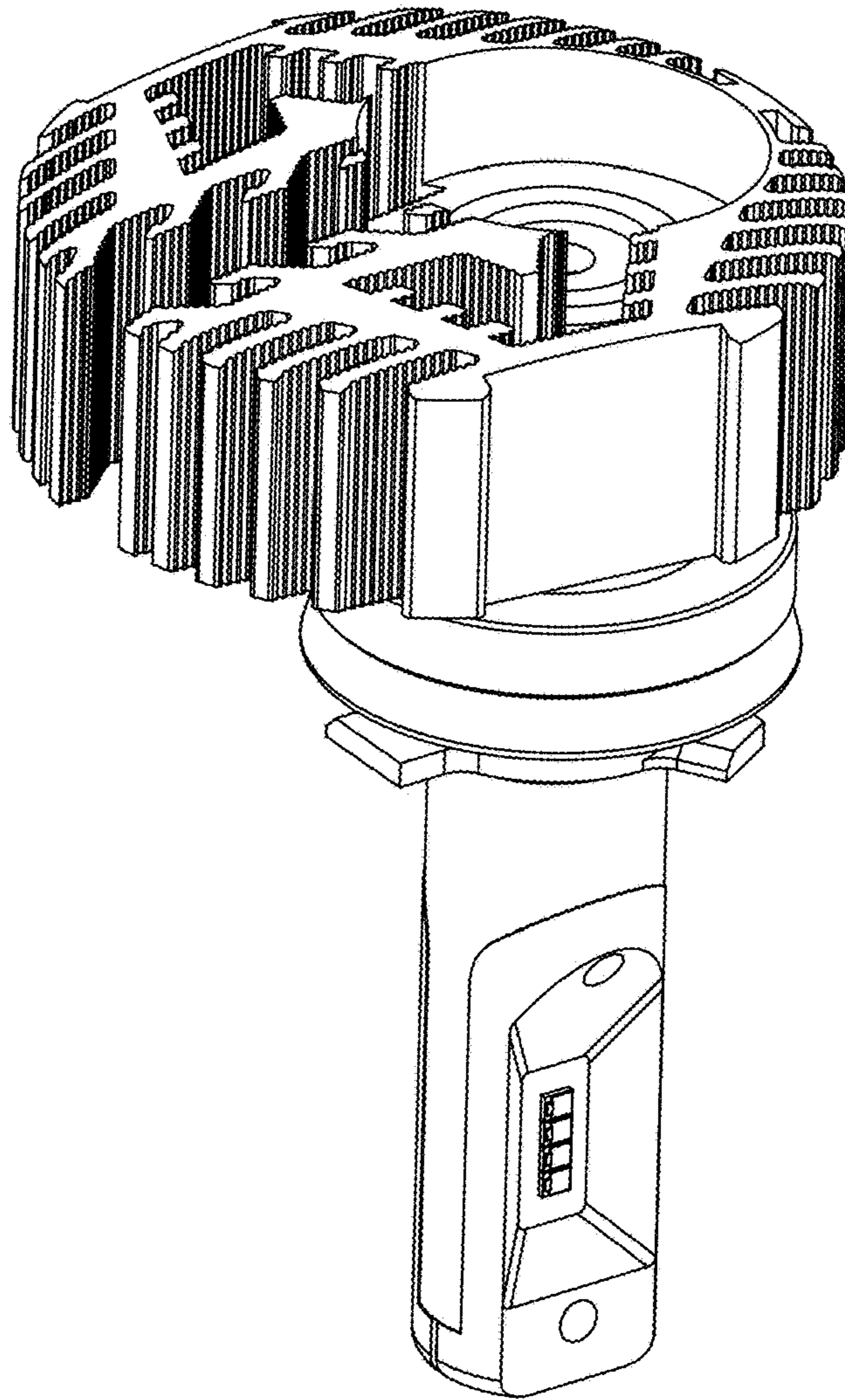


FIG. 7

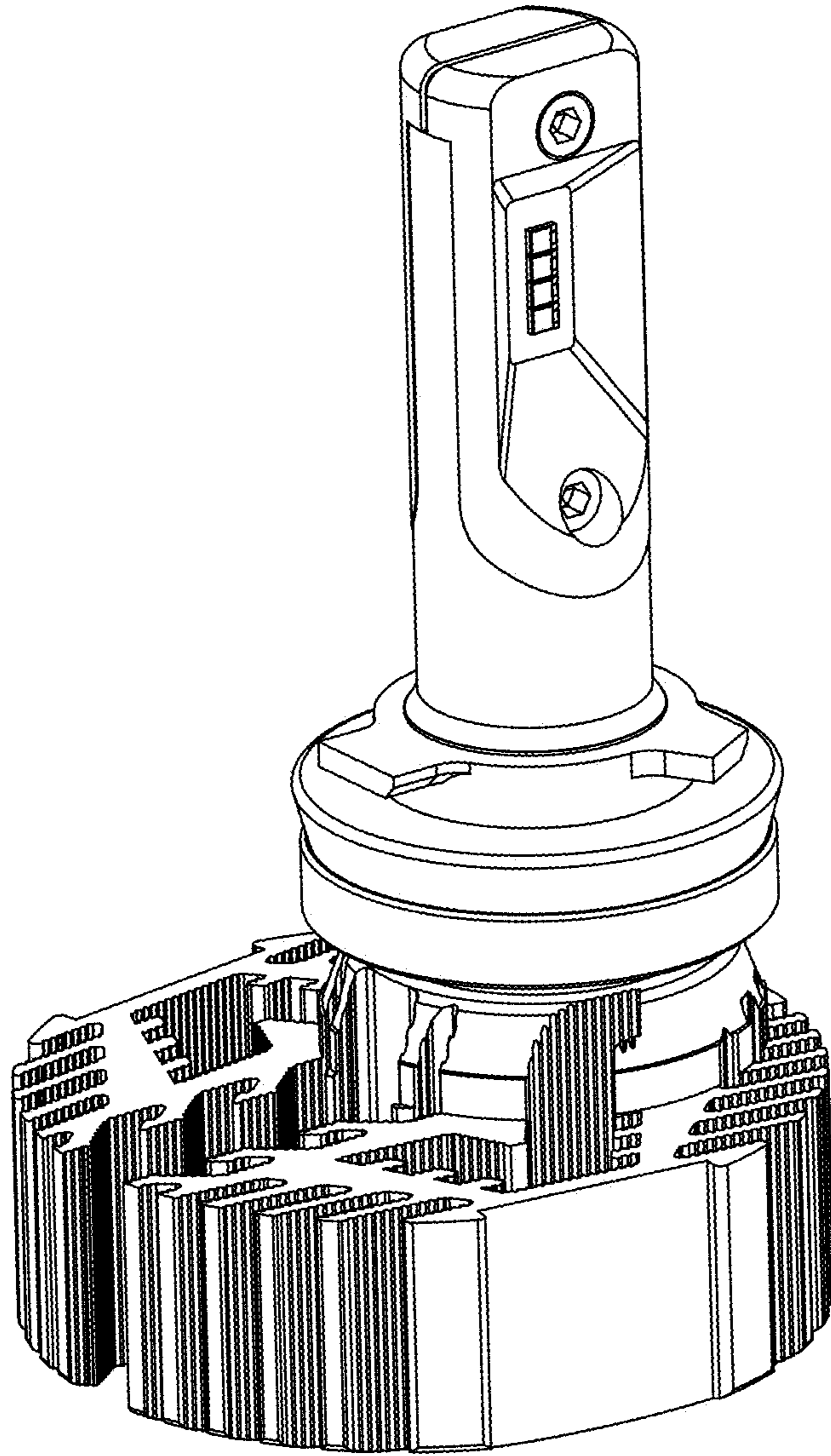


FIG. 8