



US00D845521S

(12) **United States Design Patent** (10) **Patent No.:** **US D845,521 S**
Binder (45) **Date of Patent:** **** Apr. 9, 2019**

(54) **HEADLIGHT FOR A VEHICLE**

FOREIGN PATENT DOCUMENTS

(71) Applicant: **Bayerische Motoren Werke Aktiengesellschaft**, Munich (DE)

EM 002250126-0001 8/2013
WO WO DM/076869 3/2012
WO WO DM/094975 8/2017
WO WO DM/095845 10/2017
WO WO DM/098388 11/2017

(72) Inventor: **Thomas Binder**, Stockdorf (DE)

* cited by examiner

(73) Assignee: **Bayerische Motoren Werke Aktiengesellschaft**, Munich (DE)

Primary Examiner — Marcus A Jackson

(**) Term: **15 Years**

(74) *Attorney, Agent, or Firm* — Crowell & Moring LLP

(21) Appl. No.: **29/631,786**

(57) **CLAIM**

(22) Filed: **Jan. 3, 2018**

The ornamental design for a headlight for a vehicle, as shown and described.

(30) **Foreign Application Priority Data**

DESCRIPTION

Jul. 11, 2017 (DE) 40 2017 100 809

(51) **LOC (11) Cl.** **26-06**

(52) **U.S. Cl.**
USPC **D26/28**

(58) **Field of Classification Search**
USPC D26/28–36
CPC B60Q 9/13; B60Q 9/135; B60Q 9/1375;
F21S 48/00; F21S 48/10; F21S 48/115;
F21S 48/225; F21S 48/1233; F21S
48/1266; F21S 48/1388; F21S 48/2268;
F21V 21/04

See application file for complete search history.

This application contains subject matter related to the following co-pending U.S. design patent applications:

Application Ser. No. 29/594,698, filed Feb. 22, 2017 and entitled “Headlight for a Vehicle”;

Application Ser. No. 29/602,951, filed May 5, 2017 and entitled “Headlight for a Vehicle”;

Application Ser. No. 29/624,711, filed Nov. 3, 2017 and entitled “Headlight for a Vehicle”;

Application Ser. No. 29/624,712, filed Nov. 3, 2017 and entitled “Headlight for a Vehicle”; and

Application Ser. No. 29/631,774, filed herewith and entitled “Vehicle, Toy, and/or Replicas Thereof”.

FIG. 1 is a front view of a headlight for a vehicle according to the design;

FIG. 2 is a right, front perspective view thereof;

FIG. 3 is a left, front perspective view thereof;

FIG. 4 is a right side view thereof;

FIG. 5 is a left side view thereof;

FIG. 6 is a top view thereof;

FIG. 7 is a bottom view thereof; and,

FIG. 8 is a rear view thereof.

(56) **References Cited**

U.S. PATENT DOCUMENTS

D528,133 S * 9/2006 Brazier D15/28
D528,685 S * 9/2006 Yoshida D26/28
D544,114 S * 6/2007 Ohta D26/28
D560,291 S * 1/2008 Koyama D26/28
D667,153 S 9/2012 Huet
D723,724 S 3/2015 Johnson
D726,353 S * 4/2015 Yagihashi D26/28
D801,563 S 10/2017 Hannemann

1 Claim, 8 Drawing Sheets

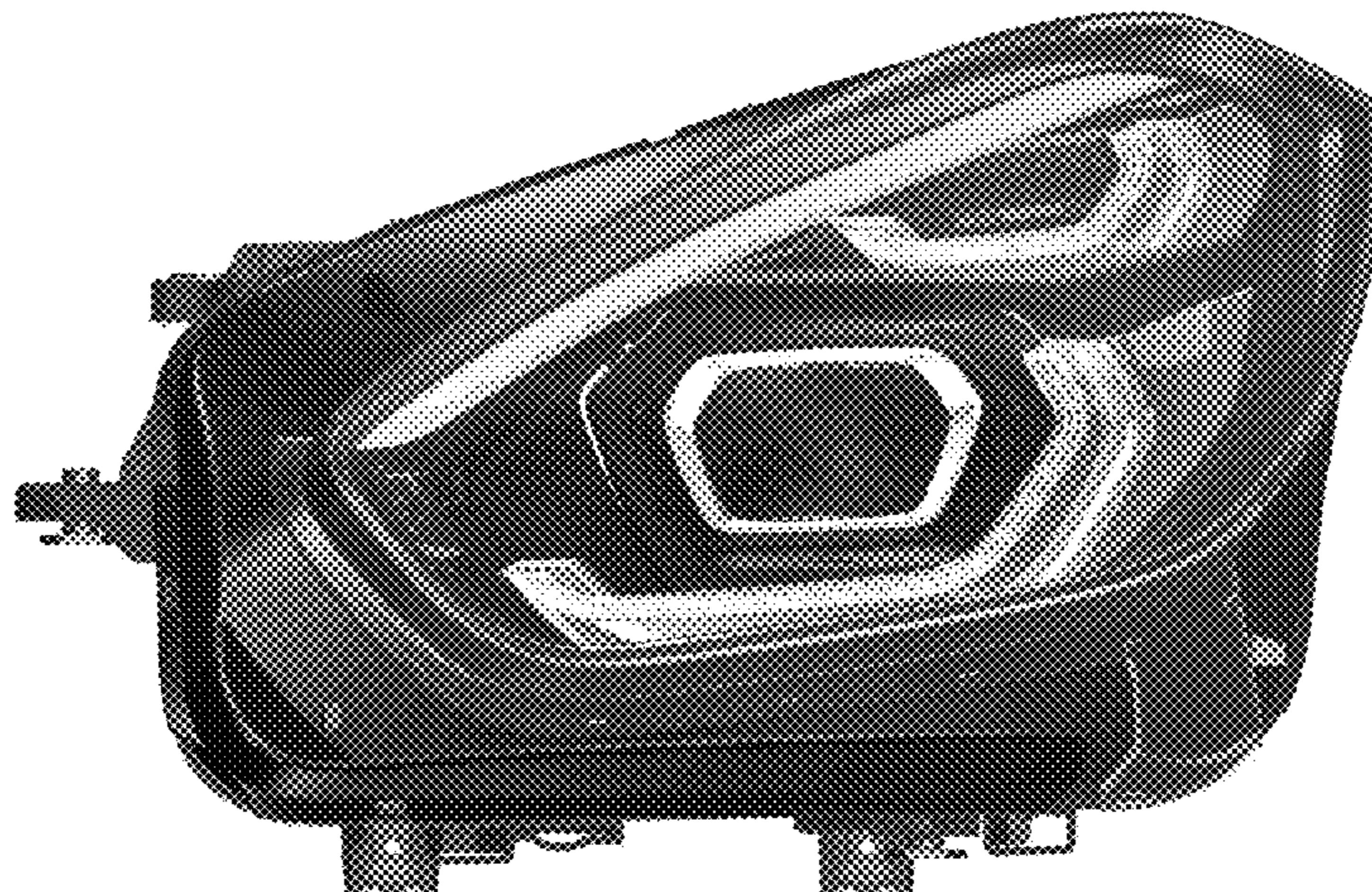




Fig. 1



Fig. 2

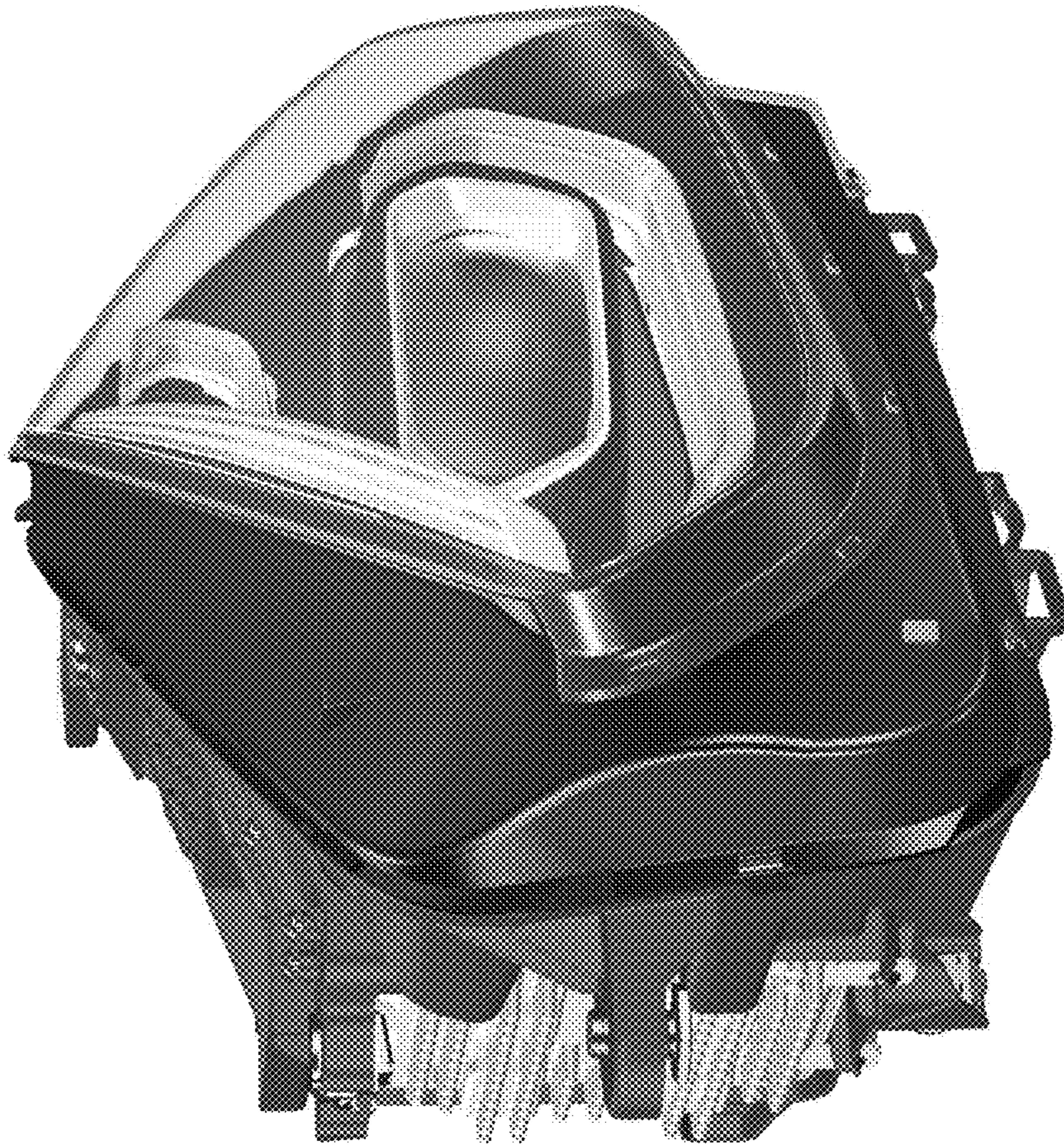


Fig. 3

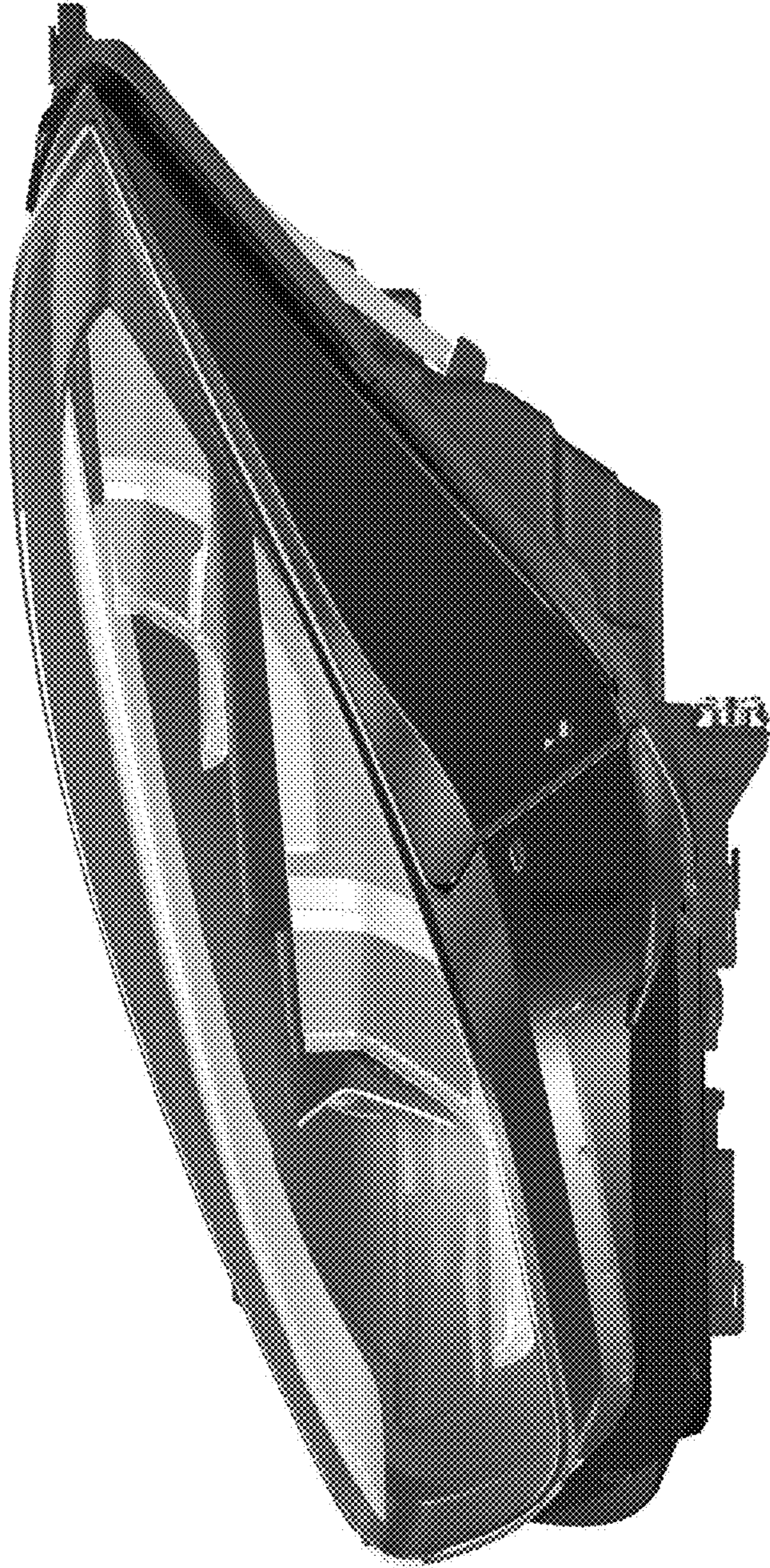


Fig. 4

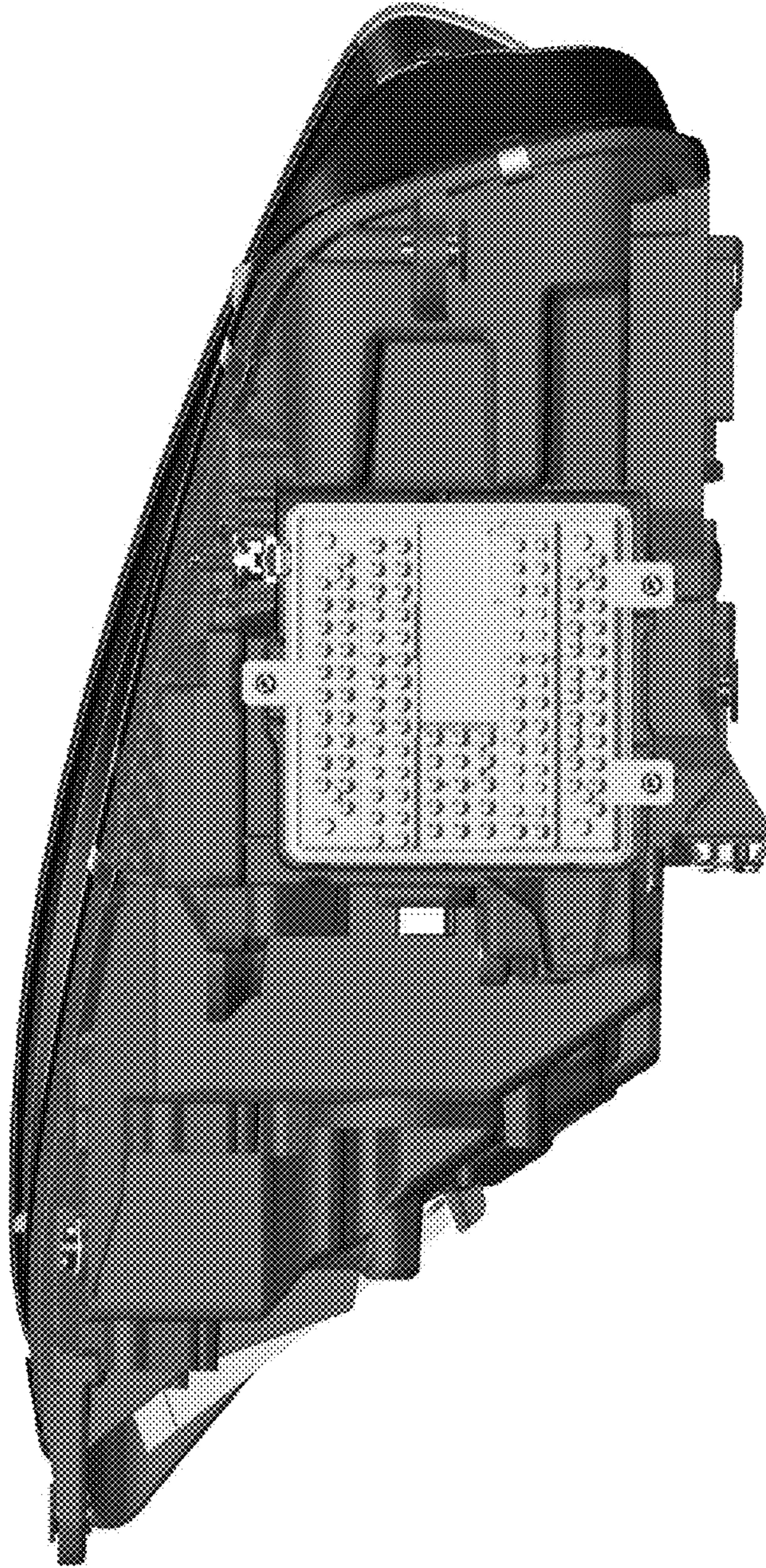


Fig. 5

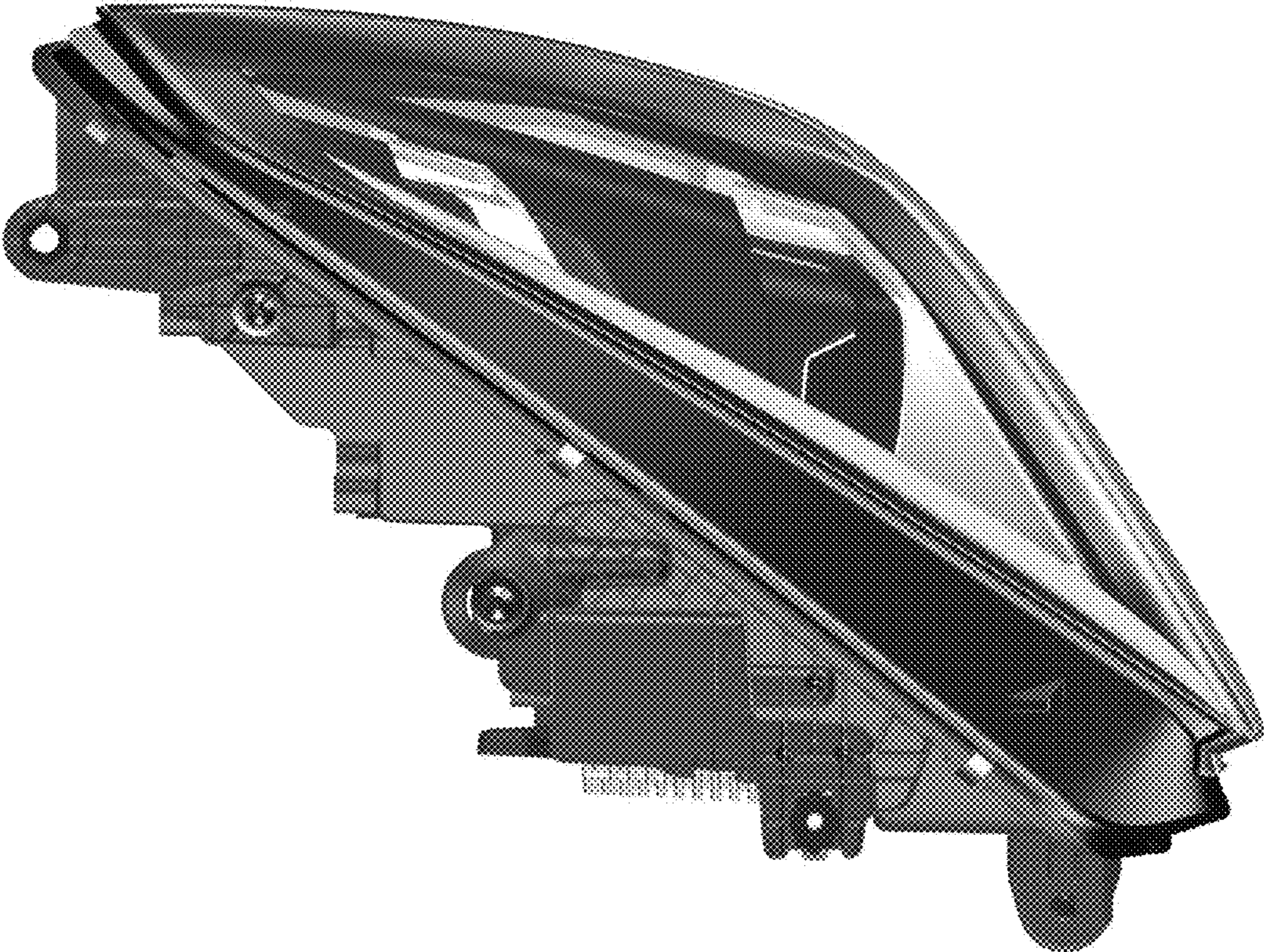


Fig. 6

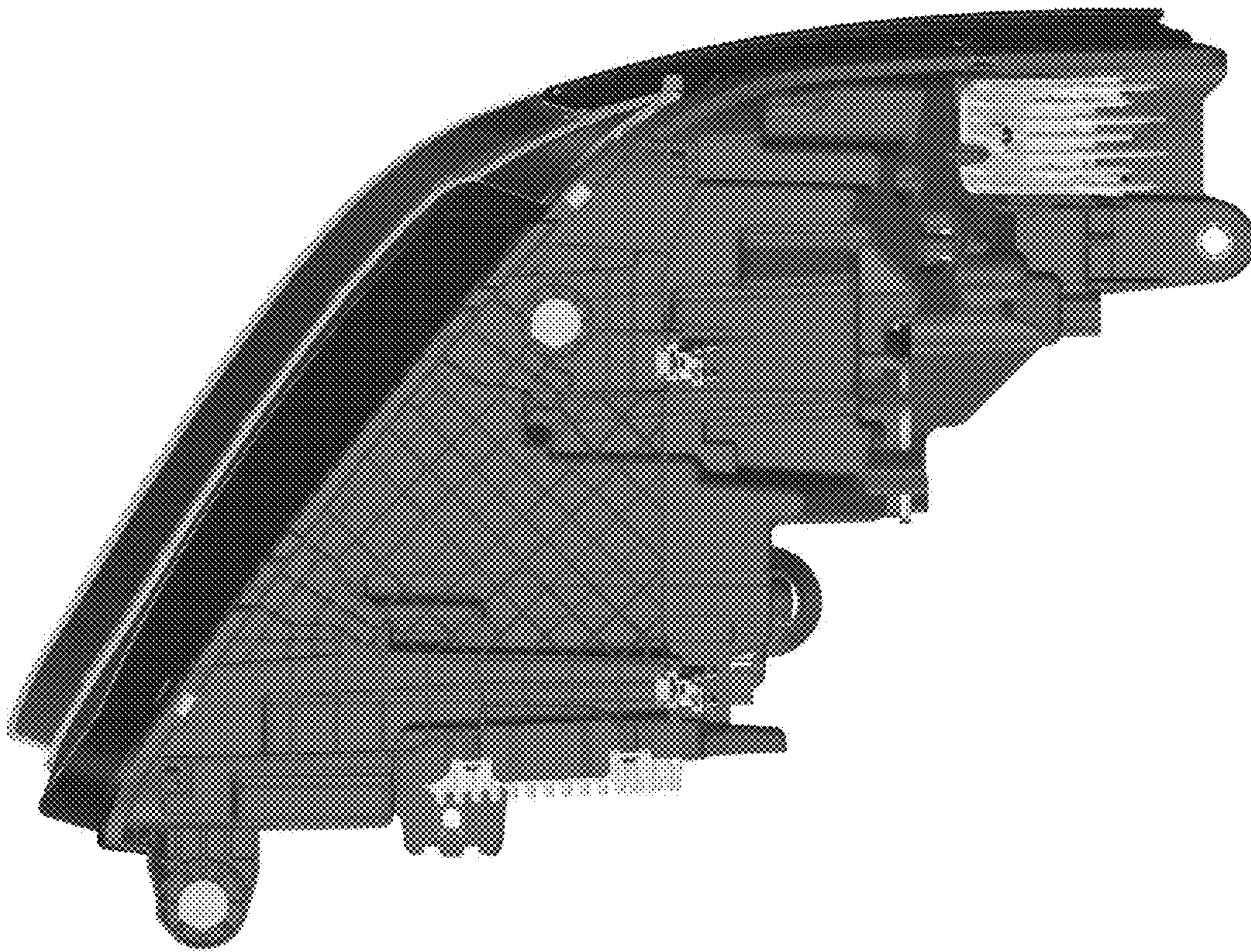


Fig. 7

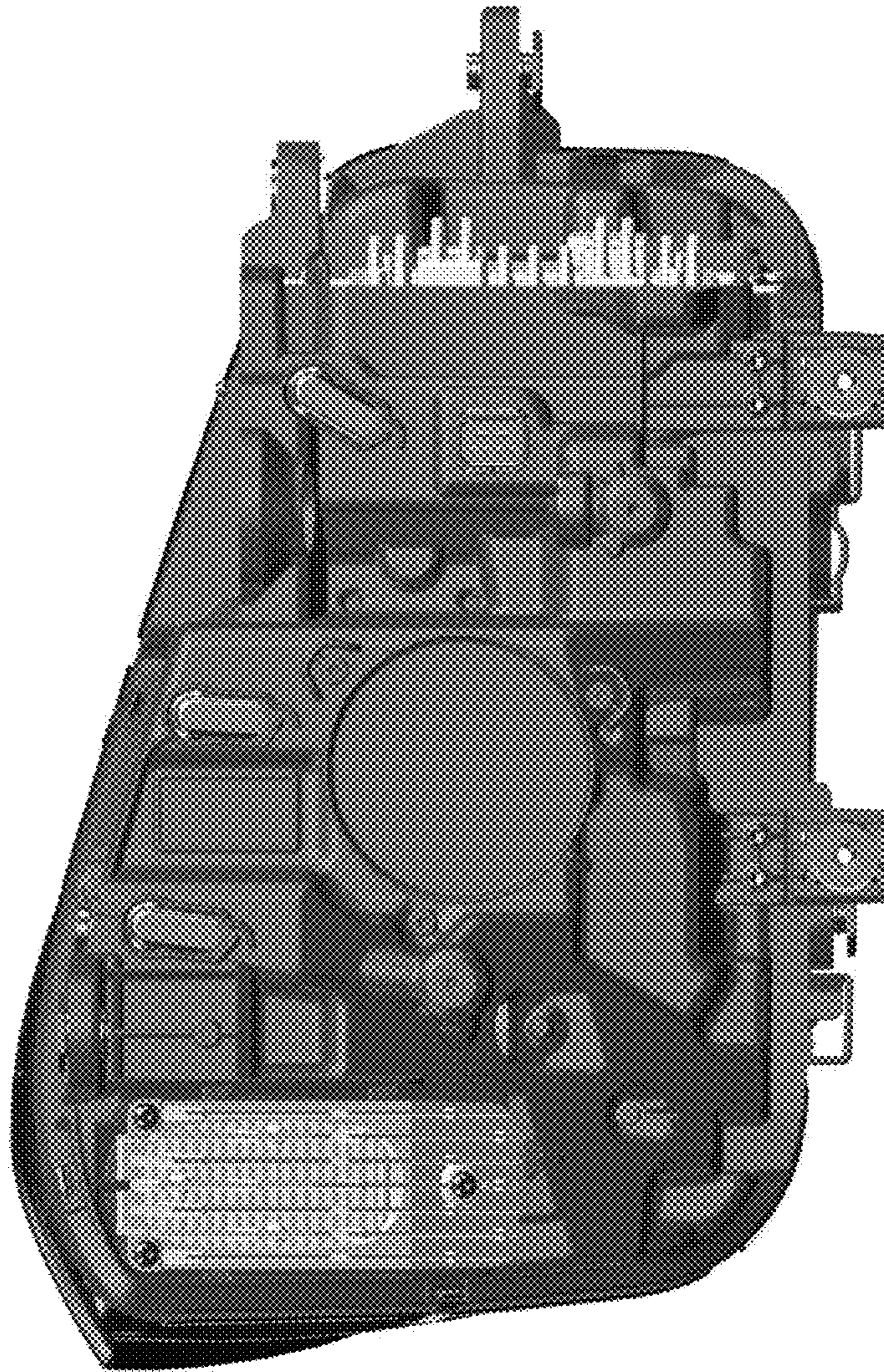


Fig. 8