



US00D845516S

(12) **United States Design Patent** (10) **Patent No.:** **US D845,516 S**
Yuan (45) **Date of Patent:** **** Apr. 9, 2019**

(54) **EXTRUSION**
(71) Applicant: **NINGBO HAIDER IMPORT AND EXPORT CO., LIMITED**, Ningbo (CN)
(72) Inventor: **Yinghua Yuan**, Ningbo (CN)
(73) Assignee: **NINGBO HAIDER IMPORT AND EXPORT CO., LIMITED**, Ningbo (CN)

D643,148 S * 8/2011 Jabra D26/120
D644,780 S * 9/2011 Jabra D26/120
D662,255 S * 6/2012 Klu D26/138
D662,256 S * 6/2012 Klu D26/138
D705,982 S * 5/2014 Klus D26/138
9,249,956 B1 * 2/2016 Oldani F21V 17/107
D778,488 S * 2/2017 Sutherland D26/138
D820,508 S * 6/2018 Sutherland D26/138
2017/0038037 A1 * 2/2017 Sutherland F21V 15/015

(**) Term: **15 Years**
(21) Appl. No.: **29/610,644**
(22) Filed: **Jul. 13, 2017**

FOREIGN PATENT DOCUMENTS

CN 302838062 * 6/2014

* cited by examiner

Primary Examiner — Leanne Was-Englehart
(74) *Attorney, Agent, or Firm* — Gokalp Bayramoglu

(30) **Foreign Application Priority Data**
Apr. 25, 2017 (CN) 2017 3 0143294
(51) **LOC (11) Cl.** **25-01**
(52) **U.S. Cl.**
USPC **D25/121**; D26/138
(58) **Field of Classification Search**
USPC D25/61, 119–125, 136, 164; D26/76,
D26/78–83, 85, 86, 88, 90, 113, 118–122,
D26/138–142, 152
CPC F21S 2/00; F21S 4/00; F21S 4/003; F21S
4/005; F21S 4/006; F21S 4/007; F21S
4/008; F21S 6/00; F21S 8/00; F21S
8/024; F21S 8/026; F21S 8/031; F21S
8/033; F21S 8/035; F21S 8/036; F21S
8/037; F21S 8/04; F21S 8/043; F21S
8/063
See application file for complete search history.

(57) **CLAIM**

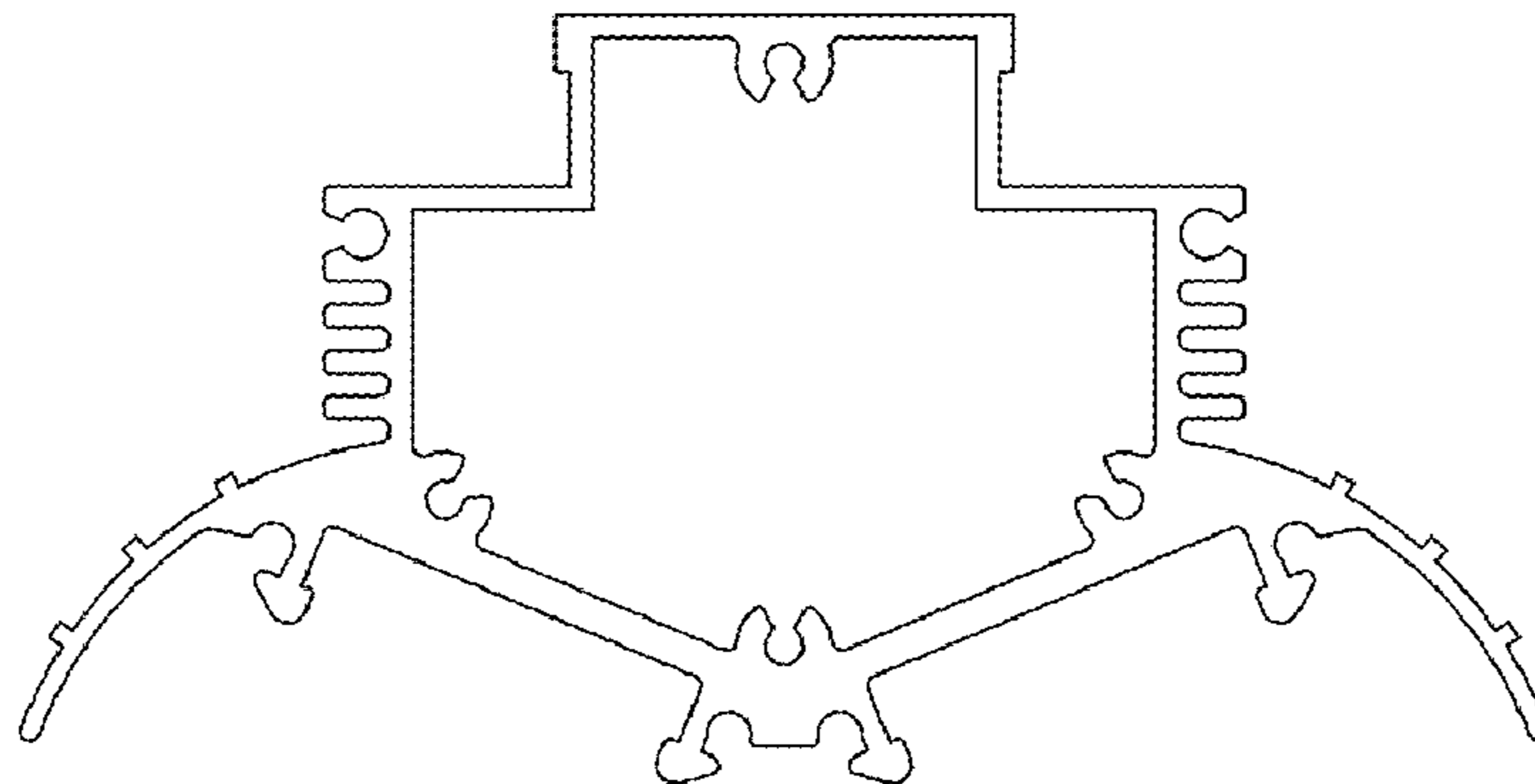
The ornamental design for an extrusion, as shown and described.

DESCRIPTION

FIG. 1 is a front view of an extrusion showing the new design;
FIG. 2 is a rear view thereof;
FIG. 3 is a left side view thereof;
FIG. 4 is a right side view thereof;
FIG. 5 is a bottom view thereof;
FIG. 6 is a top view thereof;
FIG. 7 is a perspective view thereof; and,
FIG. 8 is a perspective view thereof from another angle.
The drawings contain a symbolic break. The portion between the break lines forms no part of the claimed design.

(56) **References Cited**
U.S. PATENT DOCUMENTS
D367,127 S * 2/1996 Staeger D25/125
D423,115 S * 4/2000 Rothschild D25/121

1 Claim, 8 Drawing Sheets



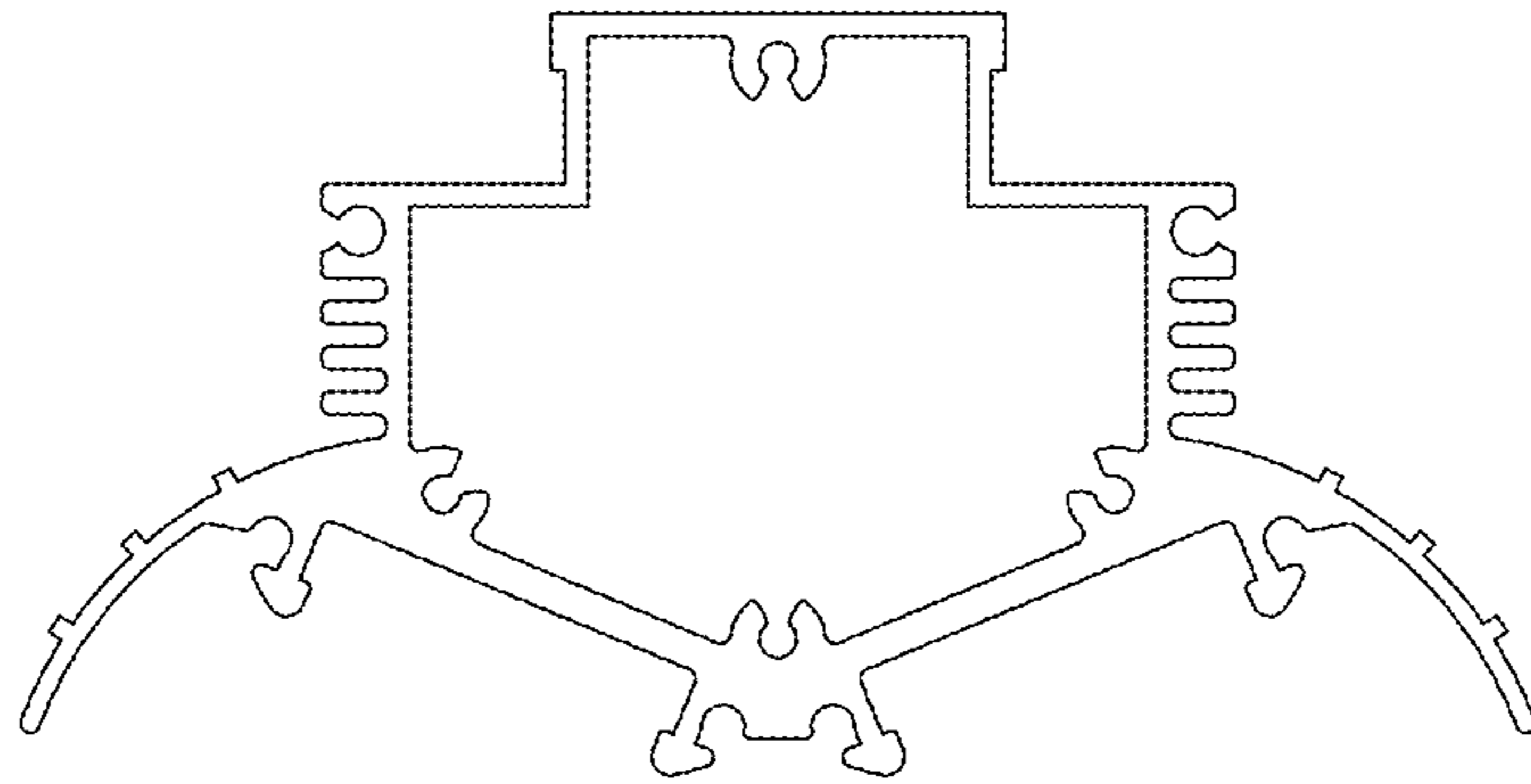


FIG. 1

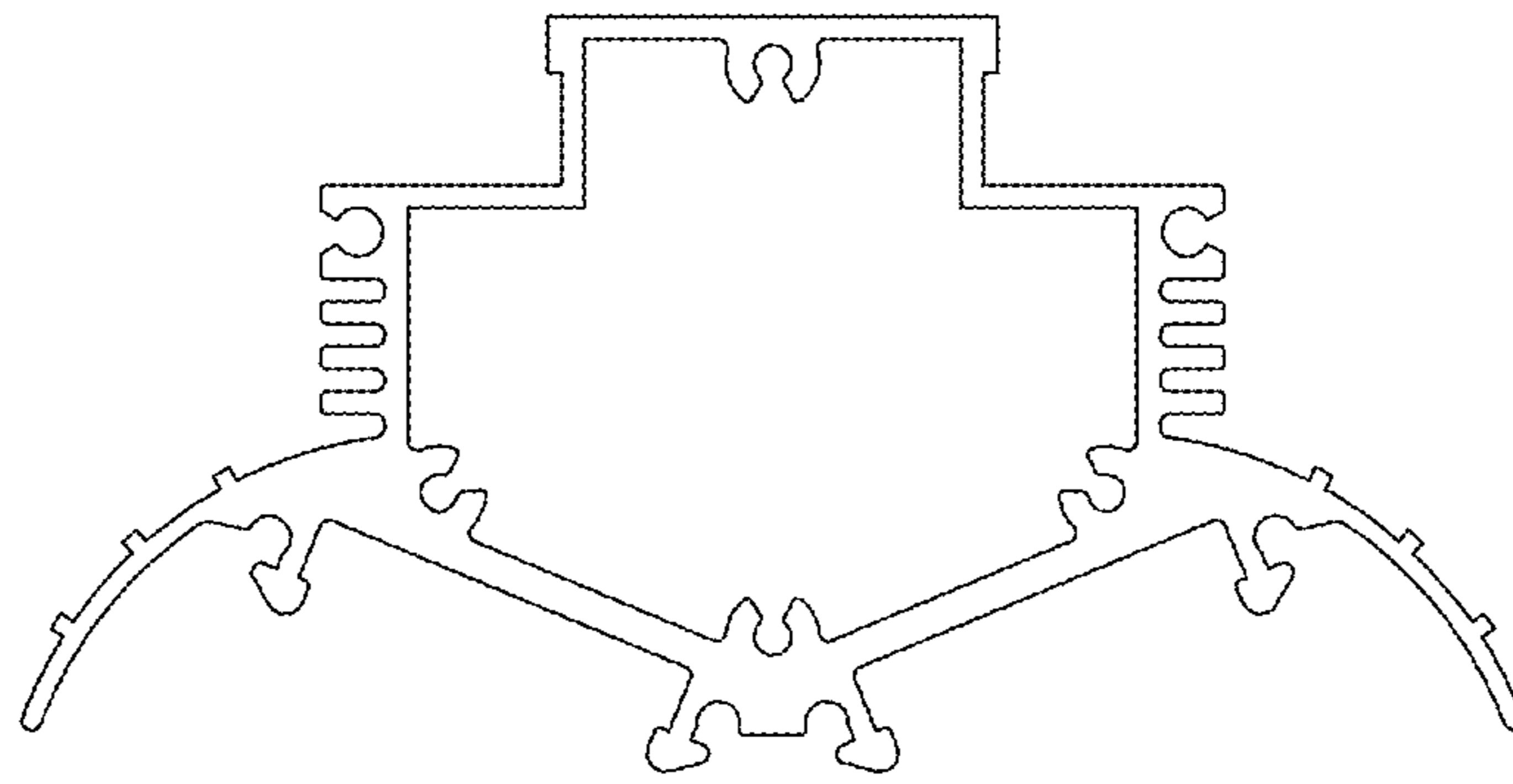


FIG. 2

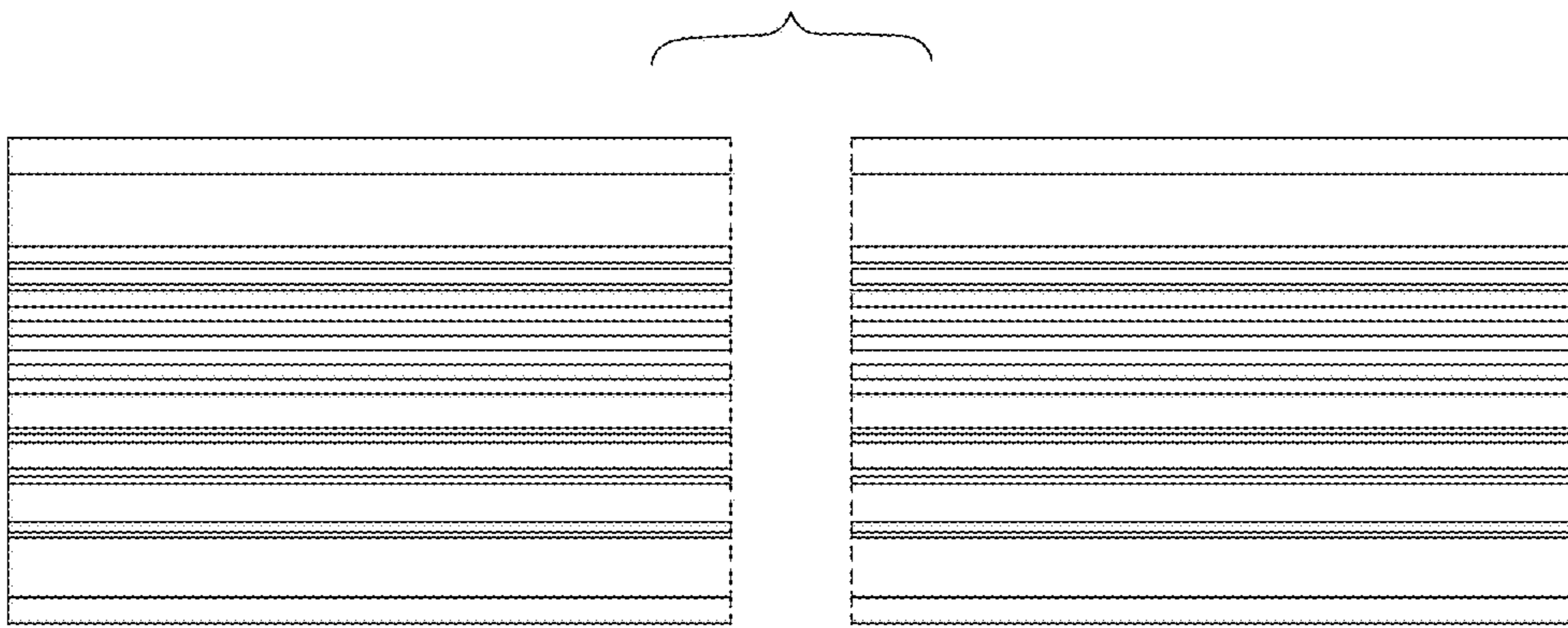


FIG. 3

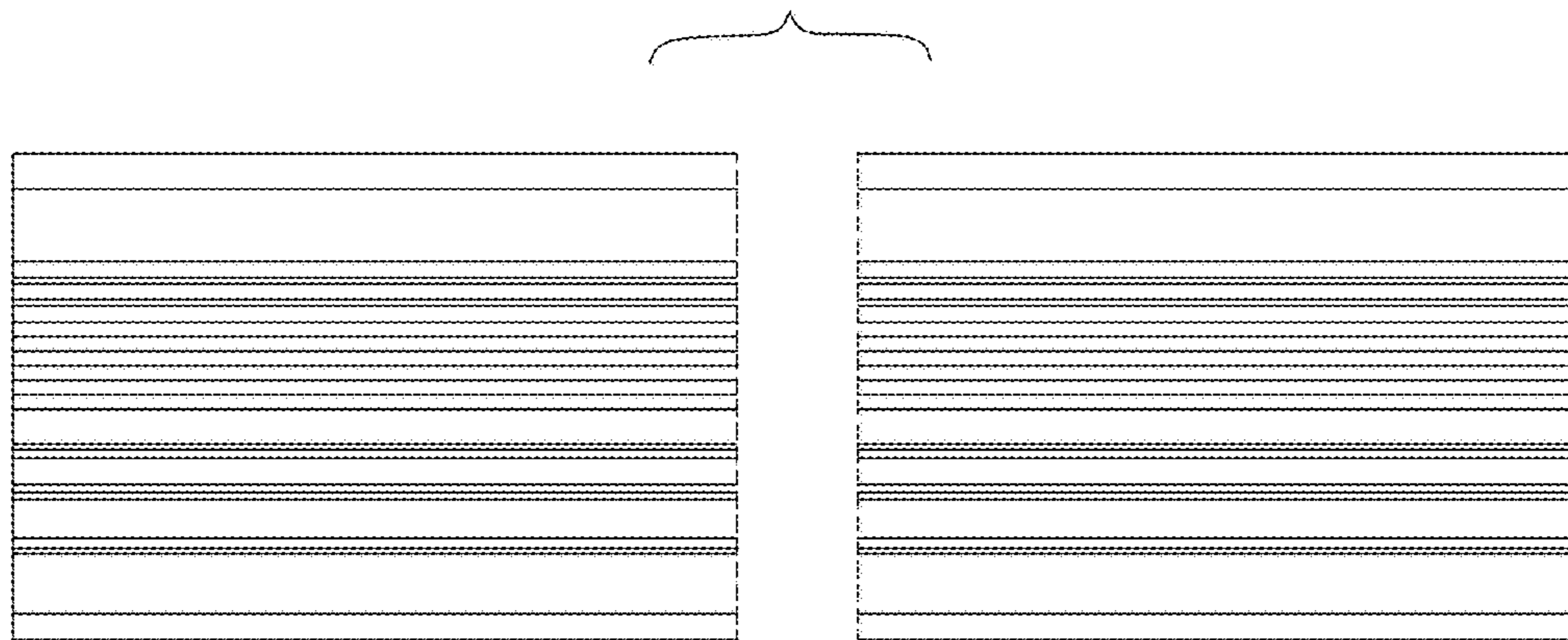


FIG. 4

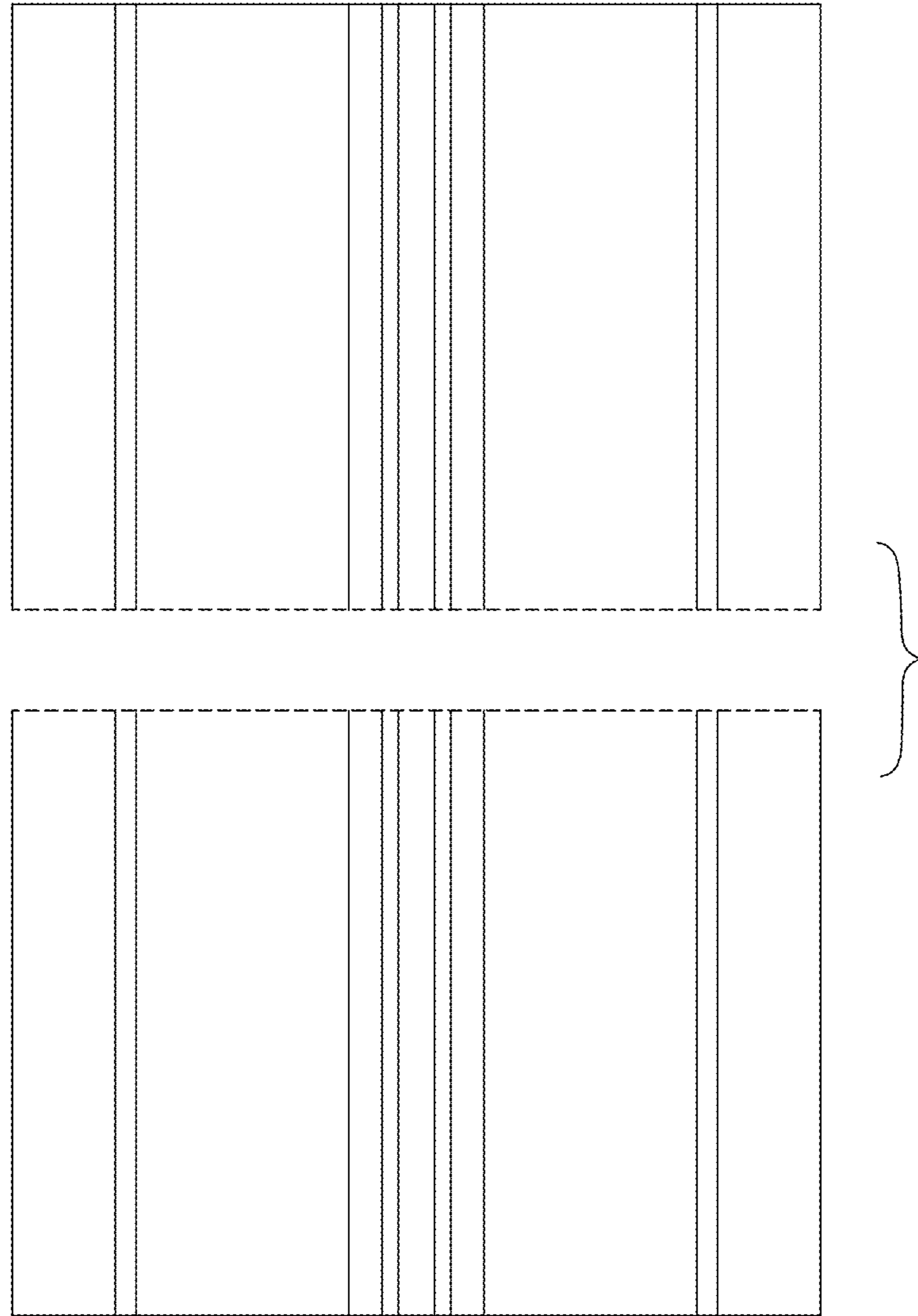


FIG. 5

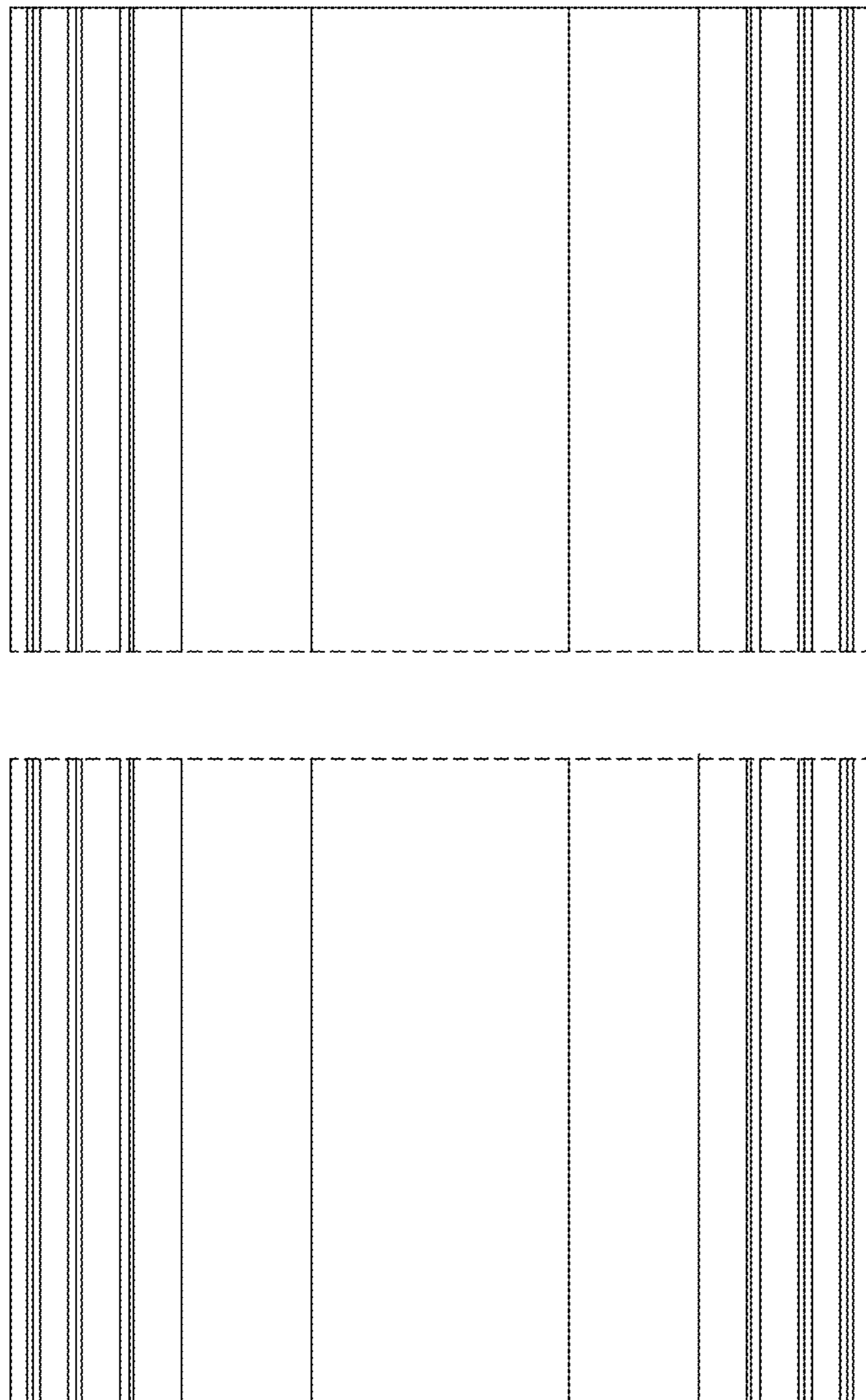


FIG. 6

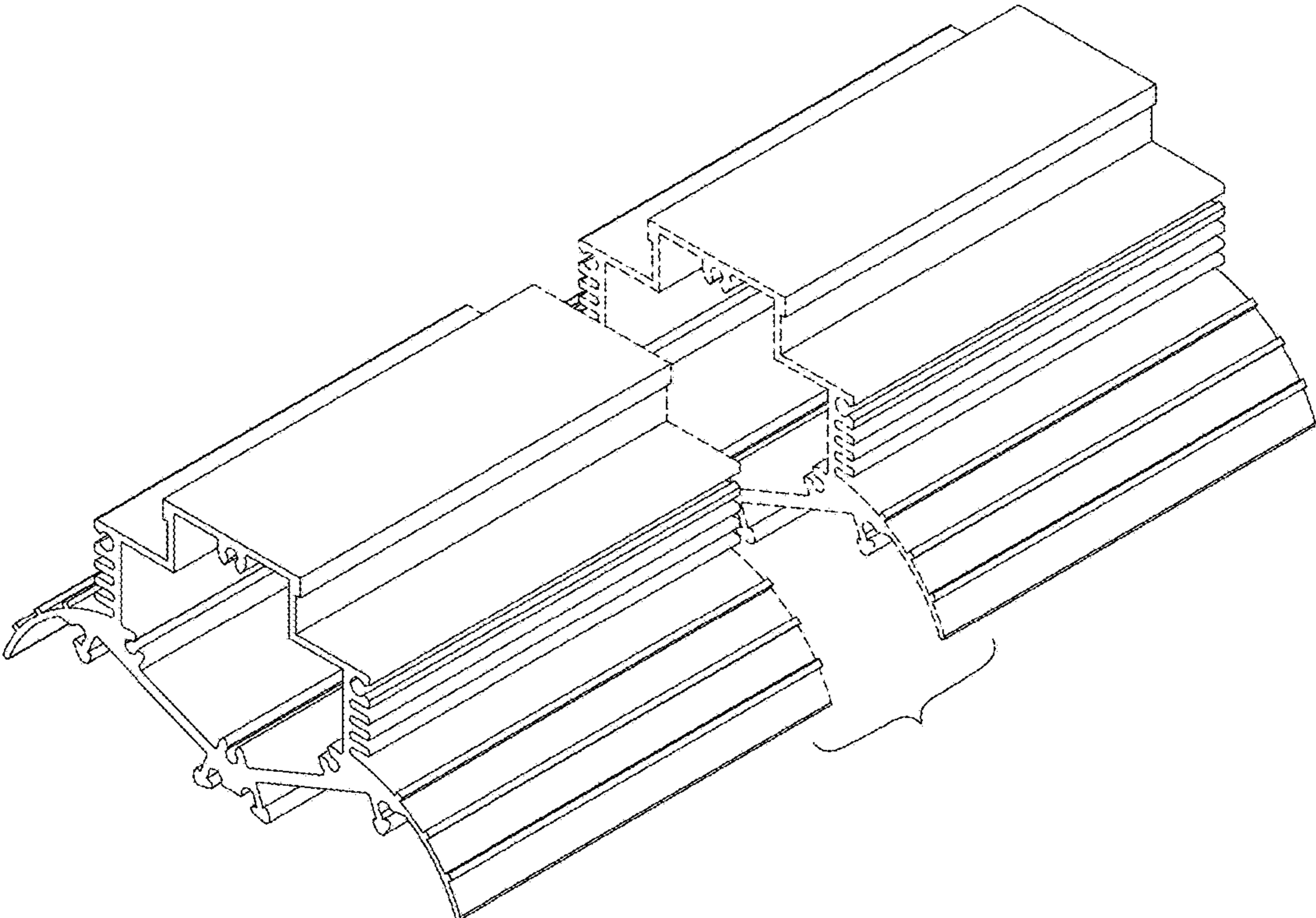


FIG. 7

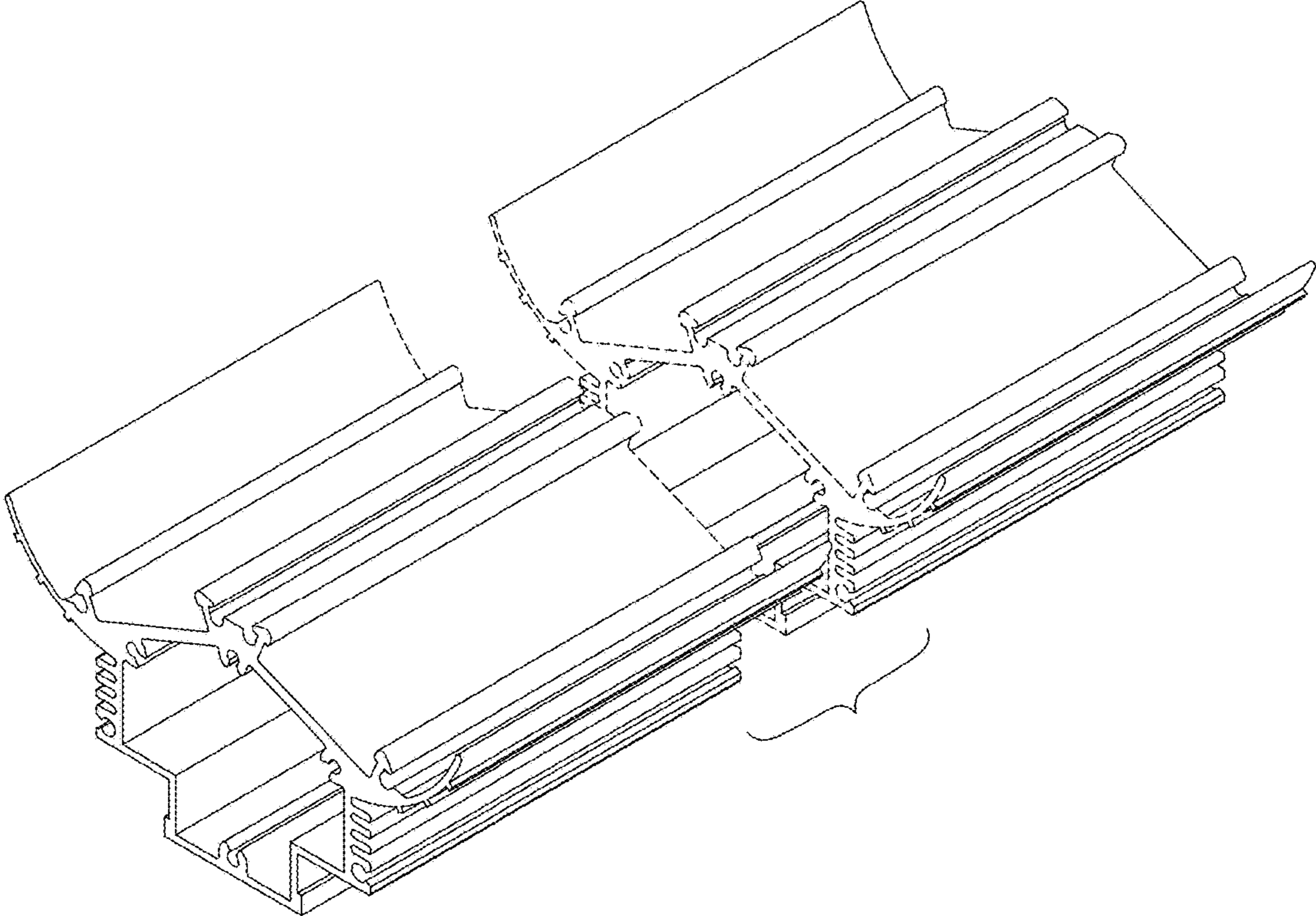


FIG. 8