



US00D845515S

(12) **United States Design Patent**  
**Ivosevich**

(10) **Patent No.:** **US D845,515 S**  
(45) **Date of Patent:** **\*\* Apr. 9, 2019**

- (54) **BRICK TILE**
- (71) Applicant: **REDLAND BRICK INC.,**  
Williamsport, MD (US)
- (72) Inventor: **Michael Ivosevich,** Hagerstown, MD  
(US)
- (73) Assignee: **REDLAND BRICK INC.,**  
Williamsport, MD (US)
- (\*\*) Term: **15 Years**
- (21) Appl. No.: **29/598,057**
- (22) Filed: **Mar. 22, 2017**
- (51) **LOC (11) Cl.** ..... **25-01**
- (52) **U.S. Cl.**  
USPC ..... **D25/113**
- (58) **Field of Classification Search**  
USPC ..... D25/138, 139, 140, 141, 144, 148, 157,  
D25/158, 163, 164, 58, 59, 103, 113,  
D25/118; 52/64, 235, 238.1, 239, 243.1,  
52/415, 434, 792.1, 792.11, 793.1, 794.1,  
52/309.7, 418, 437, 453, 460, 479, 564,  
52/586.1, 605, 607, 609, 766; D20/15,  
D20/27, 43, 44; 446/122  
CPC ..... E04C 2/292; E04C 2/296; E04C 2/365;  
E04C 2/38; E04C 2/284; E04B 1/00;  
E04B 1/02; E04B 2/30  
See application file for complete search history.

(56) **References Cited**

**U.S. PATENT DOCUMENTS**

- 785,296 A \* 3/1905 Dunn ..... E04B 2/14  
52/437
- 836,727 A \* 11/1906 Woodiwiss ..... E04B 2/30  
52/565
- 1,046,029 A \* 12/1912 Seat ..... E04B 2/30  
249/38

- 1,084,389 A \* 1/1914 Blackmore ..... E04B 2/30  
52/564
- 1,286,462 A \* 12/1918 Wesche ..... A63H 33/105  
211/189
- 1,644,599 A \* 10/1927 McDearmon ..... E04B 2/30  
52/566
- 1,751,748 A \* 3/1930 Nash ..... E04B 2/30  
52/568
- 1,968,393 A \* 7/1934 Henderson ..... E04B 2/14  
52/204.1
- 2,097,821 A \* 11/1937 Mathers ..... E04B 2/30  
52/100
- 2,143,667 A \* 1/1939 Troiel ..... A63H 33/105  
446/122
- 2,355,834 A \* 8/1944 Webb ..... E04F 15/02027  
52/578
- 3,422,588 A \* 1/1969 Stewart, Jr. .... E04B 2/18  
446/125
- 3,780,484 A \* 12/1973 Muse ..... E04B 2/14  
52/438

(Continued)

*Primary Examiner* — Kevin K Rudzinski  
*Assistant Examiner* — Kimberly Barnes  
(74) *Attorney, Agent, or Firm* — Fay Sharpe LLP

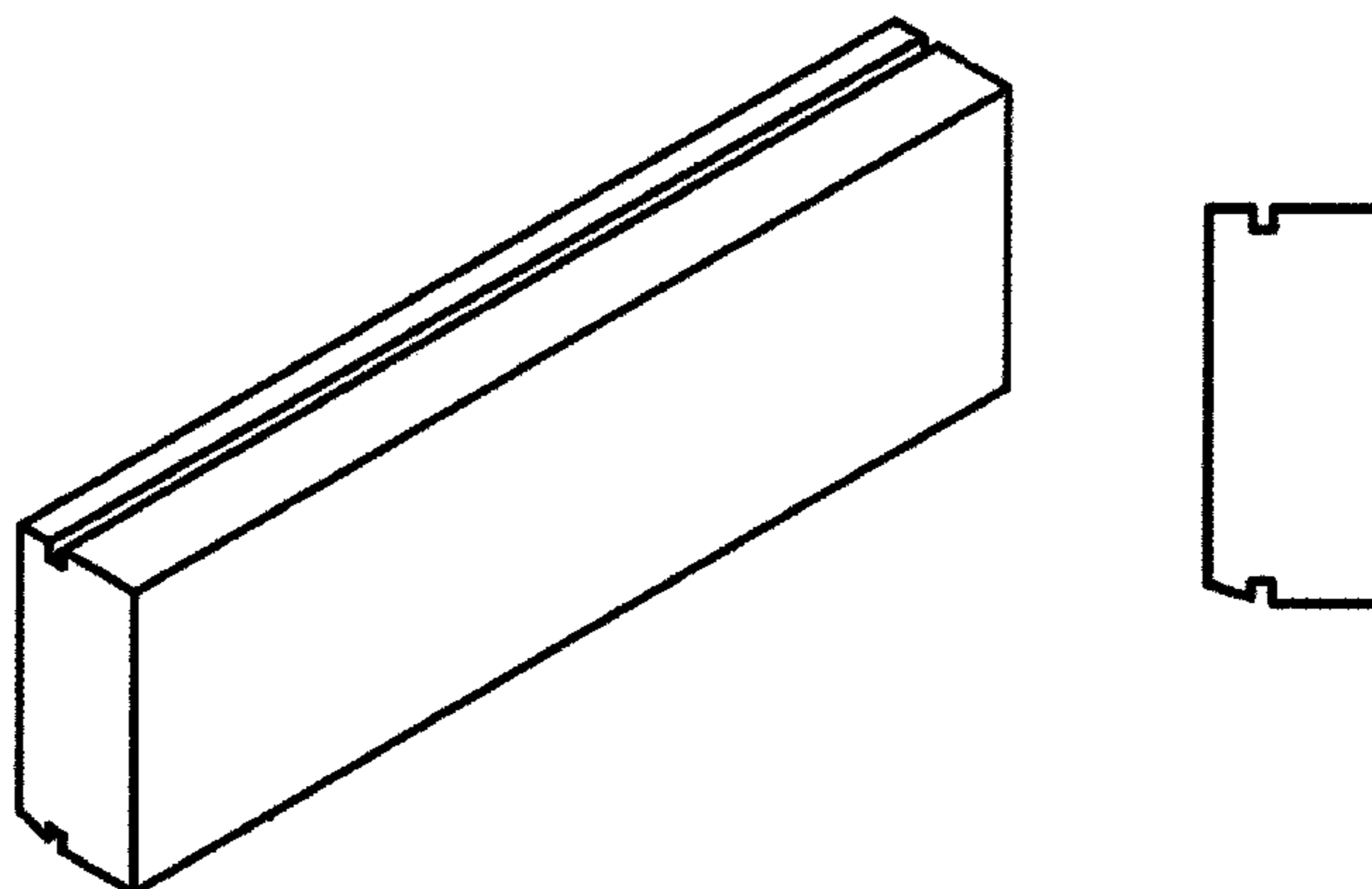
(57) **CLAIM**

The ornamental design for a brick tile, as shown and described.

**DESCRIPTION**

FIG. 1 is a first perspective view of a brick tile of the present invention taken generally from the top and left; FIG. 2 is a second perspective view thereof taken generally from the bottom and left; FIG. 3 is a front view thereof; FIG. 4 is an elevational view of the left side thereof; FIG. 5 is an elevational view of the right side thereof; FIG. 6 is a rear view thereof; FIG. 7 is a top view thereof; and, FIG. 8 is a bottom view thereof.

**1 Claim, 8 Drawing Sheets**



(56)

**References Cited**

U.S. PATENT DOCUMENTS

5,074,088	A *	12/1991	Bergeron	.....	E04B 2/02 52/309.12
5,351,457	A *	10/1994	Colen	.....	E04B 2/10 52/438
5,562,519	A *	10/1996	Loewenton	.....	A63H 33/08 446/105
5,890,332	A *	4/1999	Skidmore	.....	E04B 2/08 52/271
6,085,480	A *	7/2000	Baldwin	.....	E04B 2/42 52/422
6,098,363	A *	8/2000	Yaguchi	.....	E04F 13/0801 52/385
6,874,291	B1 *	4/2005	Weber	.....	E04B 1/2604 403/363
7,406,804	B2 *	8/2008	Den Daas	.....	E04B 1/4178 405/286
7,568,321	B2 *	8/2009	Morey	.....	E04B 1/00 52/565
7,658,050	B2 *	2/2010	Bouchard	.....	E04F 13/0862 52/387
7,762,033	B2 *	7/2010	Scott	.....	E04B 2/06 52/274
8,186,132	B2 *	5/2012	Howery, Jr.	.....	E04B 1/08 52/262
8,435,095	B1 *	5/2013	Abbas	.....	A63H 33/105 446/122
9,086,268	B2 *	7/2015	Jones	.....	E04B 2/18
9,926,703	B1 *	3/2018	Muirhead	.....	E04C 2/526
2004/0040245	A1 *	3/2004	Sinclair, Sr.	.....	B29C 47/0004 52/605
2005/0034406	A1 *	2/2005	Walker	.....	E04B 2/30 52/596
2009/0007515	A1 *	1/2009	Mercer	.....	E04F 13/0862 52/483.1
2012/0073230	A1 *	3/2012	Klein	.....	E04C 2/041 52/438

\* cited by examiner

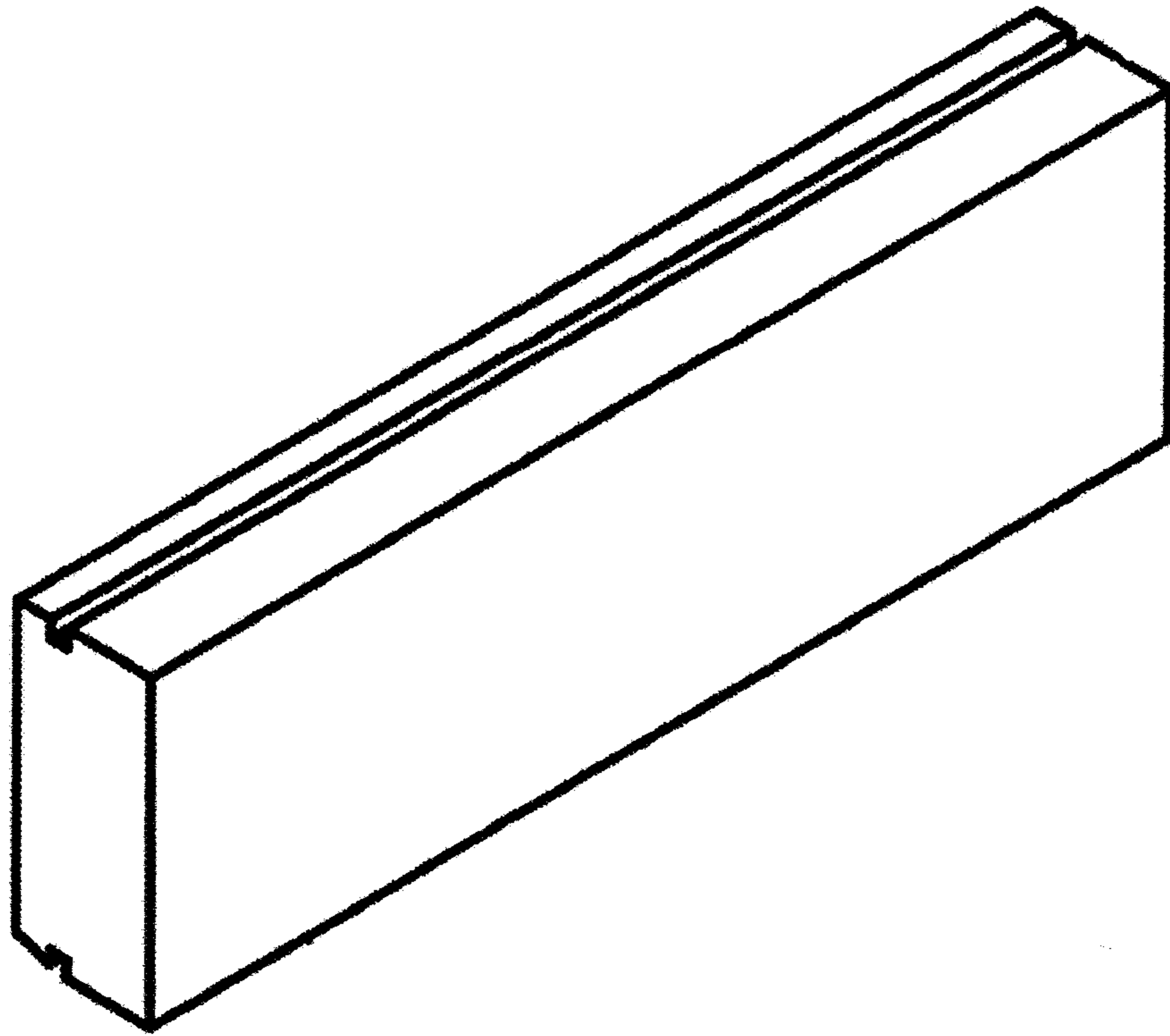


Figure 1

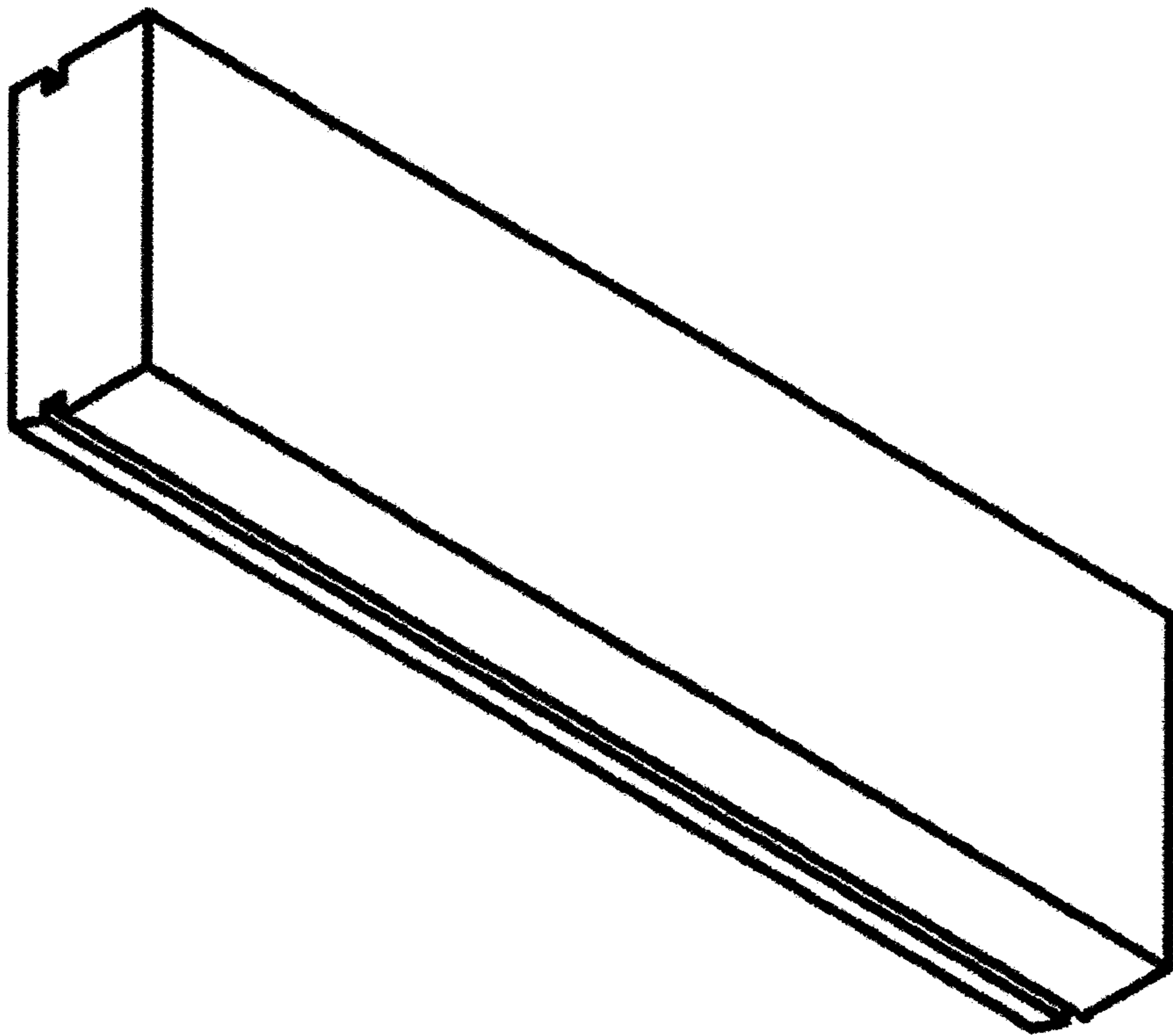


Figure 2

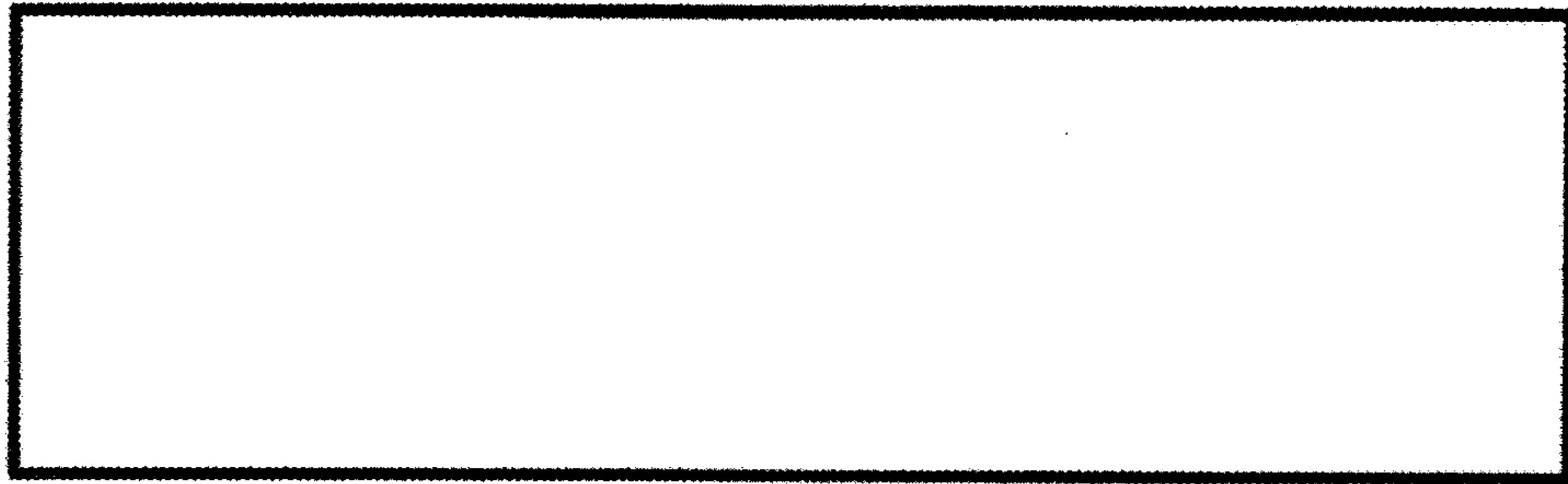


Figure 3

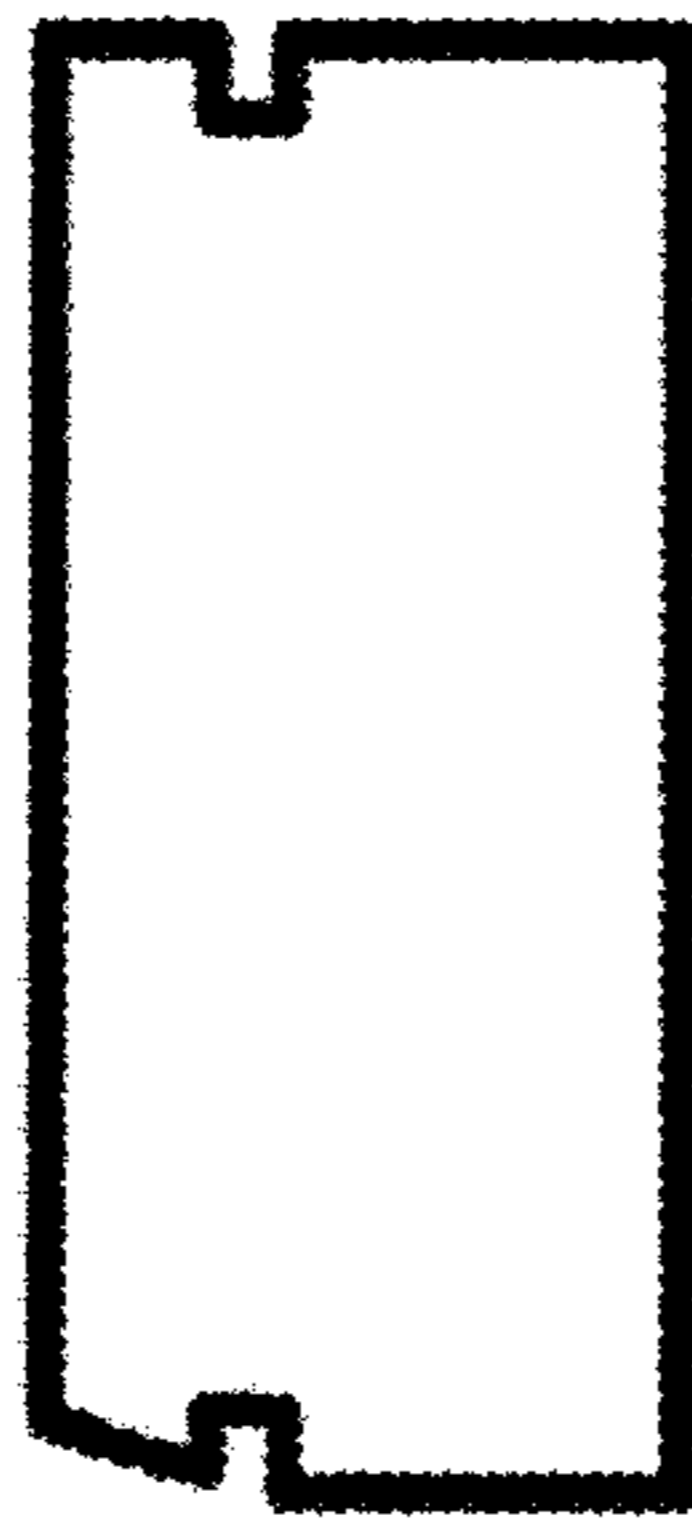


Figure 4

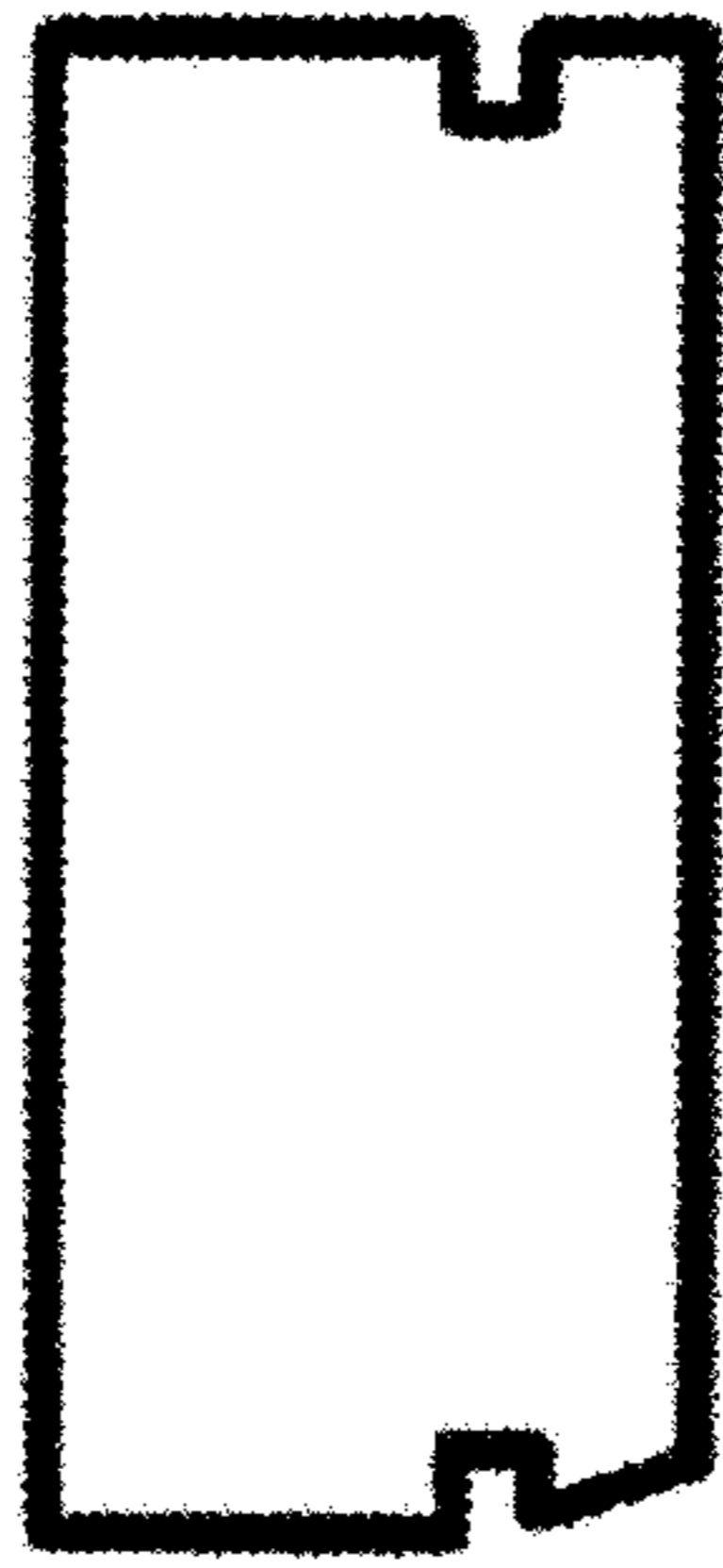


Figure 5

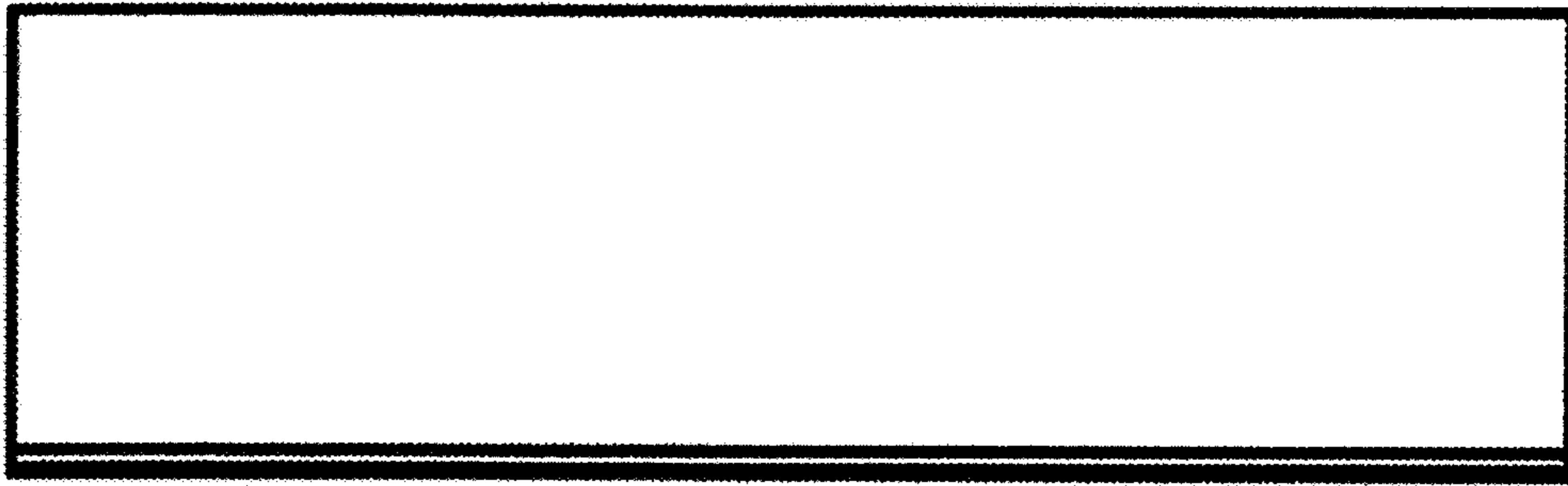


Figure 6



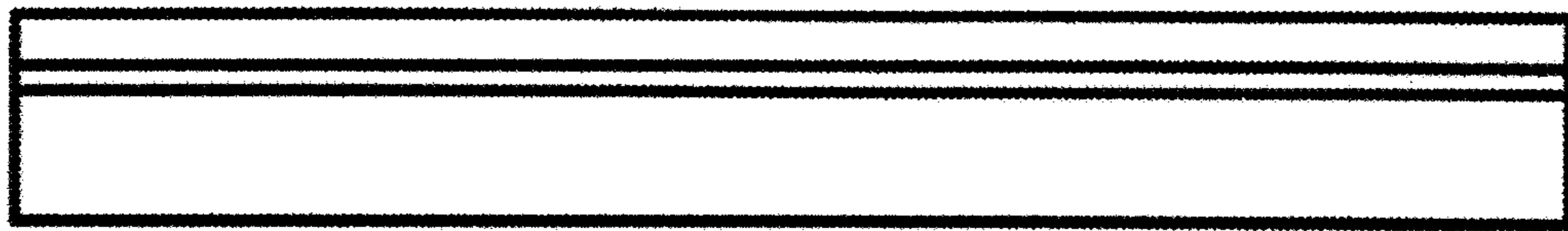


Figure 7

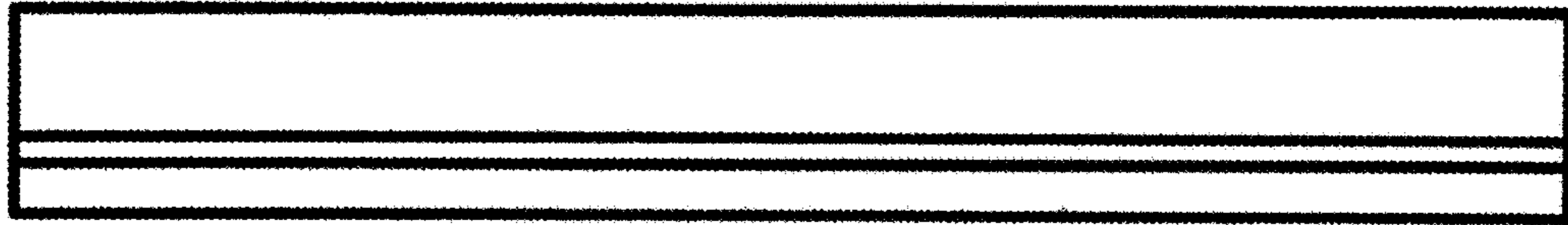


Figure 8