



US00D845511S

(12) **United States Design Patent**  
**Bizzarri et al.**

(10) **Patent No.:** **US D845,511 S**

(45) **Date of Patent:** **\*\* Apr. 9, 2019**

(54) **RAILING BOTTOM RAIL**

(71) Applicant: **CPG International LLC**, Skokie, IL  
(US)

(72) Inventors: **Paul Bizzarri**, Mason, OH (US); **Jason A. Davoll**, Chicago, IL (US); **Michael A. Gori**, Norton, OH (US); **Richard Arthur Pearson, II**, Campbell, MO (US); **Ronald Keith Turner**, Elmer, LA (US)

(73) Assignee: **CPG International LLC**, Skokie, IL  
(US)

(\*\*) Term: **15 Years**

(21) Appl. No.: **29/614,236**

(22) Filed: **Aug. 17, 2017**

**Related U.S. Application Data**

(62) Division of application No. 29/554,717, filed on Feb. 15, 2016, now Pat. No. Des. 805,214.

(51) **LOC (11) Cl.** ..... **25-02**

(52) **U.S. Cl.**  
USPC ..... **D25/38.1**

(58) **Field of Classification Search**  
USPC ..... D25/38.1, 41.1, 43, 44, 119-126, 136,  
D25/164

CPC ..... F16B 7/0413; E04F 11/18; E04F 11/181;  
E04F 11/1851; E06B 3/62; E06B 3/5409  
See application file for complete search history.

(56) **References Cited**

**U.S. PATENT DOCUMENTS**

D399,725 S \* 10/1998 Baker ..... D8/354  
6,053,480 A \* 4/2000 De Guise ..... E04F 11/181  
256/22

D551,774 S \* 9/2007 McGinness ..... D25/135  
D552,251 S \* 10/2007 McGinness ..... D25/135  
7,472,482 B2 1/2009 Pratt  
7,731,160 B2 6/2010 Terrels et al.  
7,744,065 B2 6/2010 Terrels et al.  
8,282,083 B1 10/2012 Poma  
8,579,263 B2 11/2013 Pella  
D755,988 S 5/2016 Walker et al.  
D762,462 S \* 8/2016 Anderson ..... D25/121  
D765,009 S 8/2016 Conrad  
D771,276 S \* 11/2016 Walker ..... D25/119  
D771,477 S \* 11/2016 Anderson ..... D25/121  
D782,697 S 3/2017 Bizzarri et al.  
D782,698 S 3/2017 Bizzarri et al.  
D805,214 S \* 12/2017 Bizzarri ..... D25/38.1

(Continued)

**OTHER PUBLICATIONS**

<http://florencecorp.com/products/decking-railling/railing-2/azek-timbertech/impression-rail/> Jul. 2017 (Year: 2017).\*

(Continued)

*Primary Examiner* — Leanne Was-Englehart

(74) *Attorney, Agent, or Firm* — Buchanan Ingersoll & Rooney PC

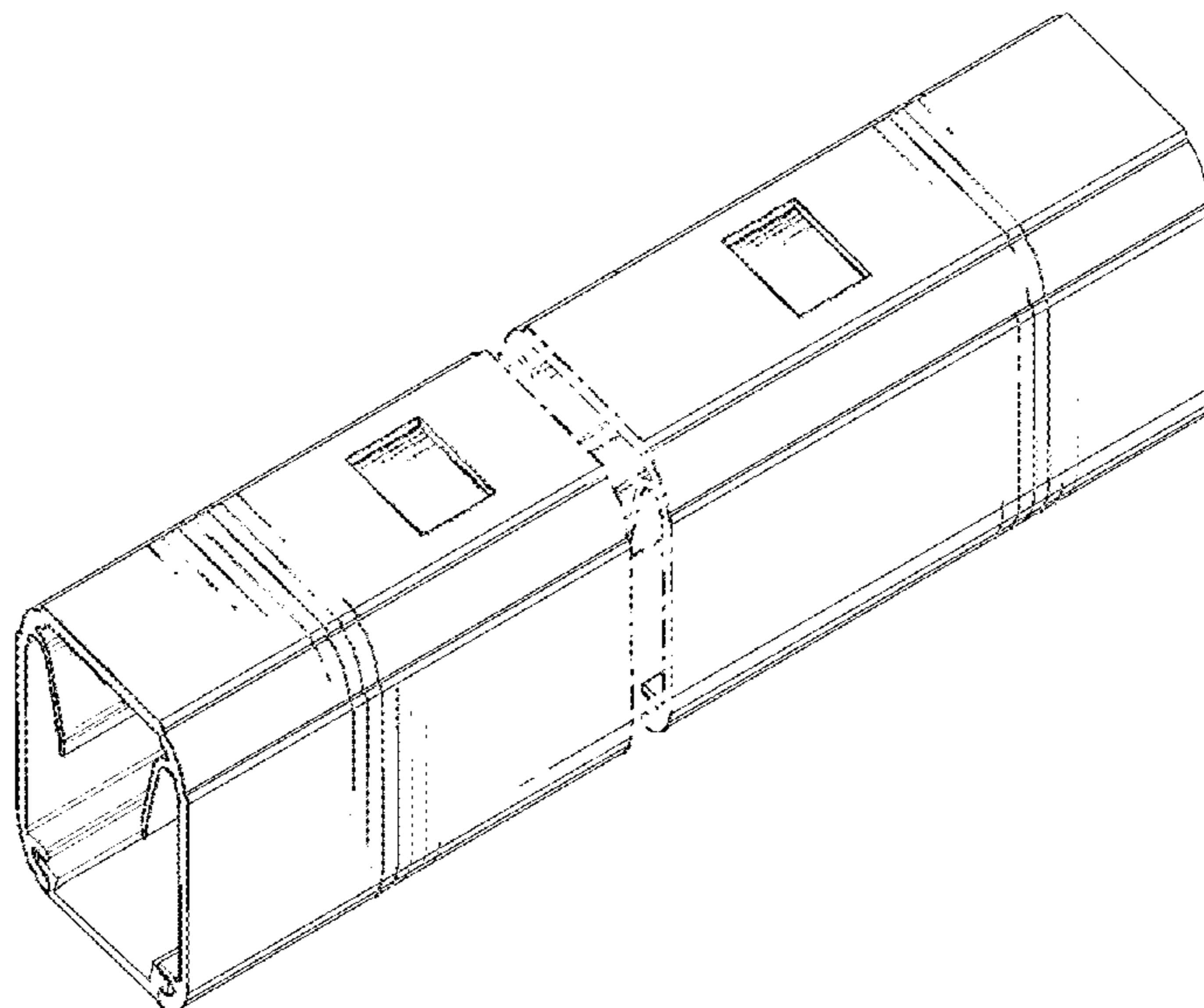
(57) **CLAIM**

The ornamental design for a railing bottom rail, as shown and described.

**DESCRIPTION**

FIG. 1 is a perspective view of our railing bottom rail; FIG. 2 is an end view thereof; FIG. 3 is a left side view thereof, the right side being a mirror image thereof; FIG. 4 is a top view thereof; and, FIG. 5 is a bottom view thereof. The break lines depict bounds of the Claim. The portion between the break lines forms no part of the claimed design.

**1 Claim, 2 Drawing Sheets**



(56)

**References Cited**

U.S. PATENT DOCUMENTS

D806,265 S \* 12/2017 Bizzarri ..... D25/38.1

OTHER PUBLICATIONS

[https://azek.com/docs/installation/Dual\\_Impression\\_Rail\\_Install\\_Guide.pdf](https://azek.com/docs/installation/Dual_Impression_Rail_Install_Guide.pdf) Aug. 8, 2016 (Year: 2016).\*

[https://www.youtube.com/watch?time\\_continue=2&v=tzb-gs-nEmE](https://www.youtube.com/watch?time_continue=2&v=tzb-gs-nEmE) Jul. 15, 2016 (Year: 2016).\*

<https://timbertech.com/products/railing/impression-rail> Available Jun. 17, 2016.

\* cited by examiner

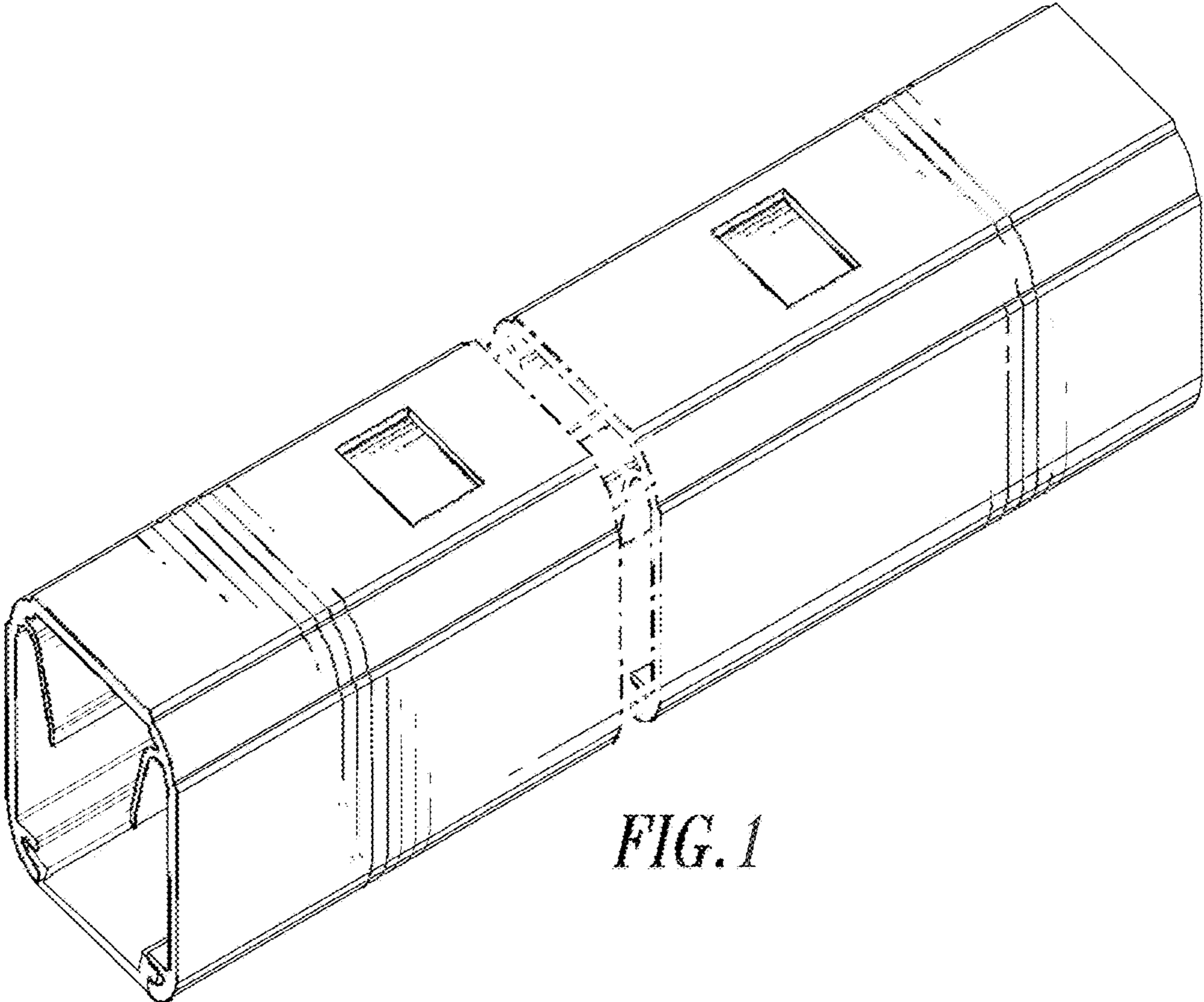


FIG. 1

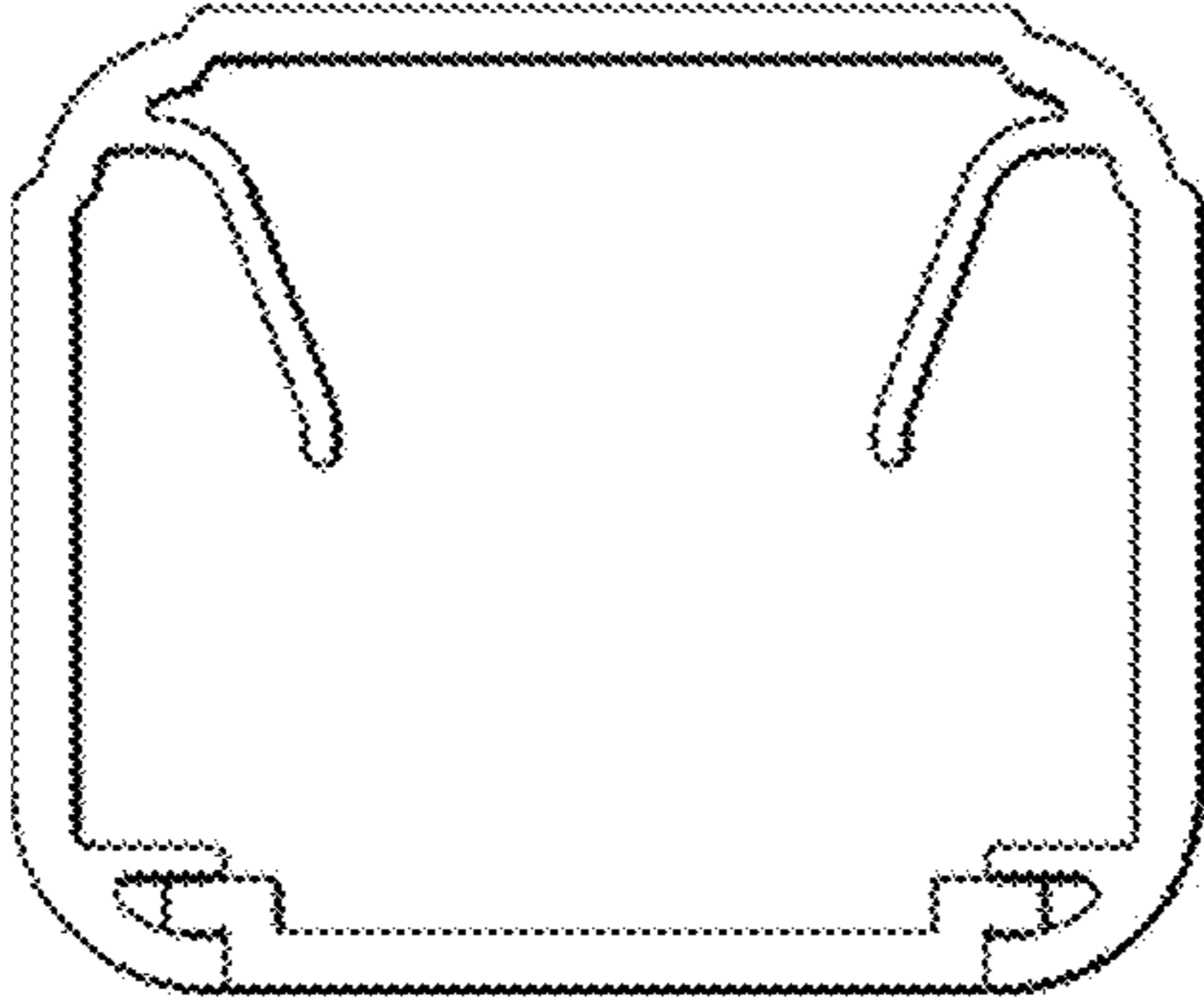
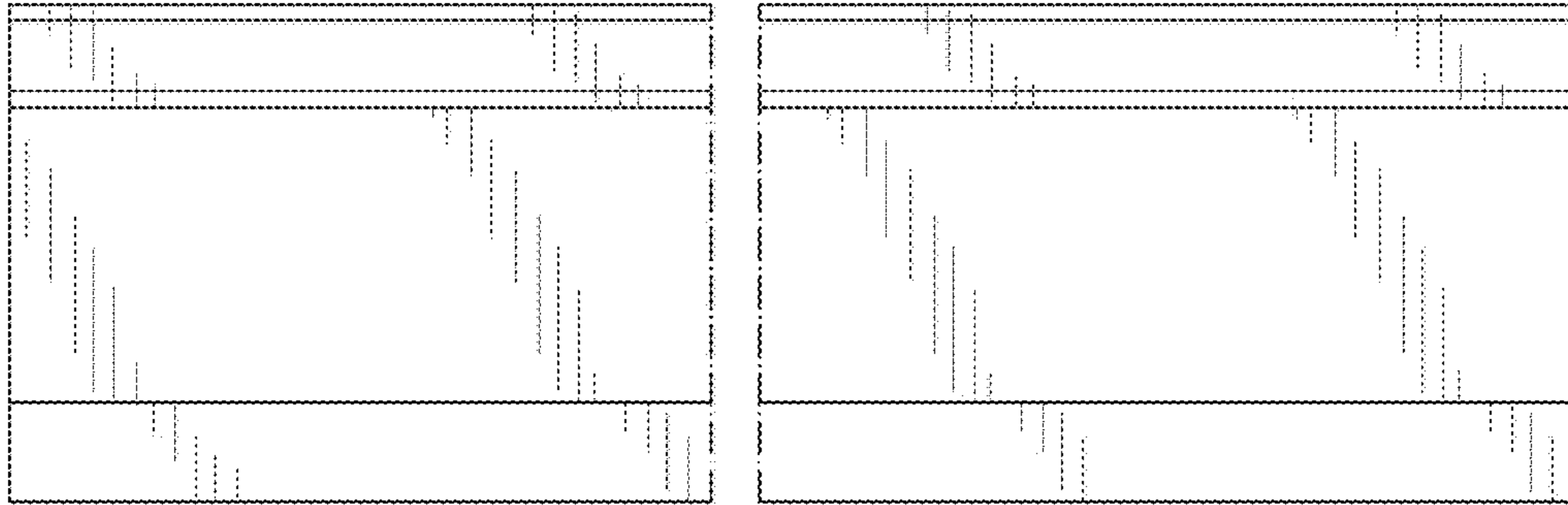
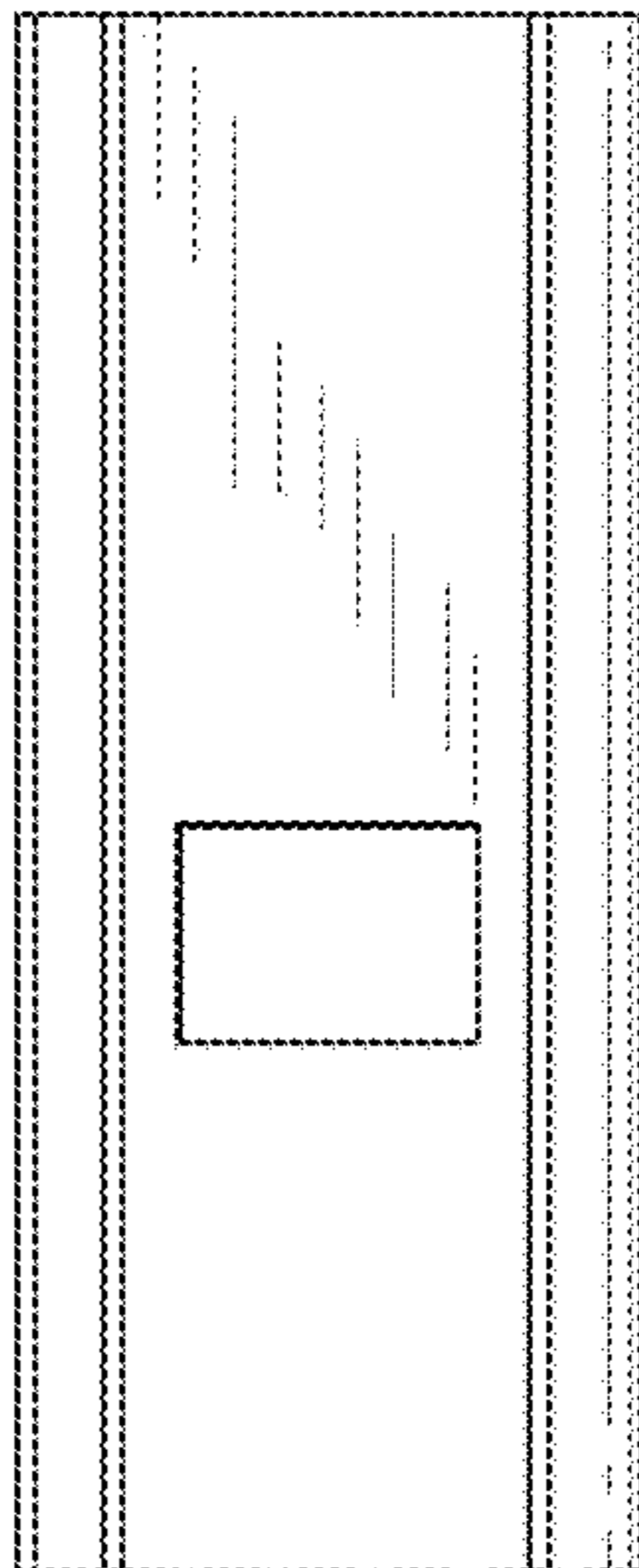


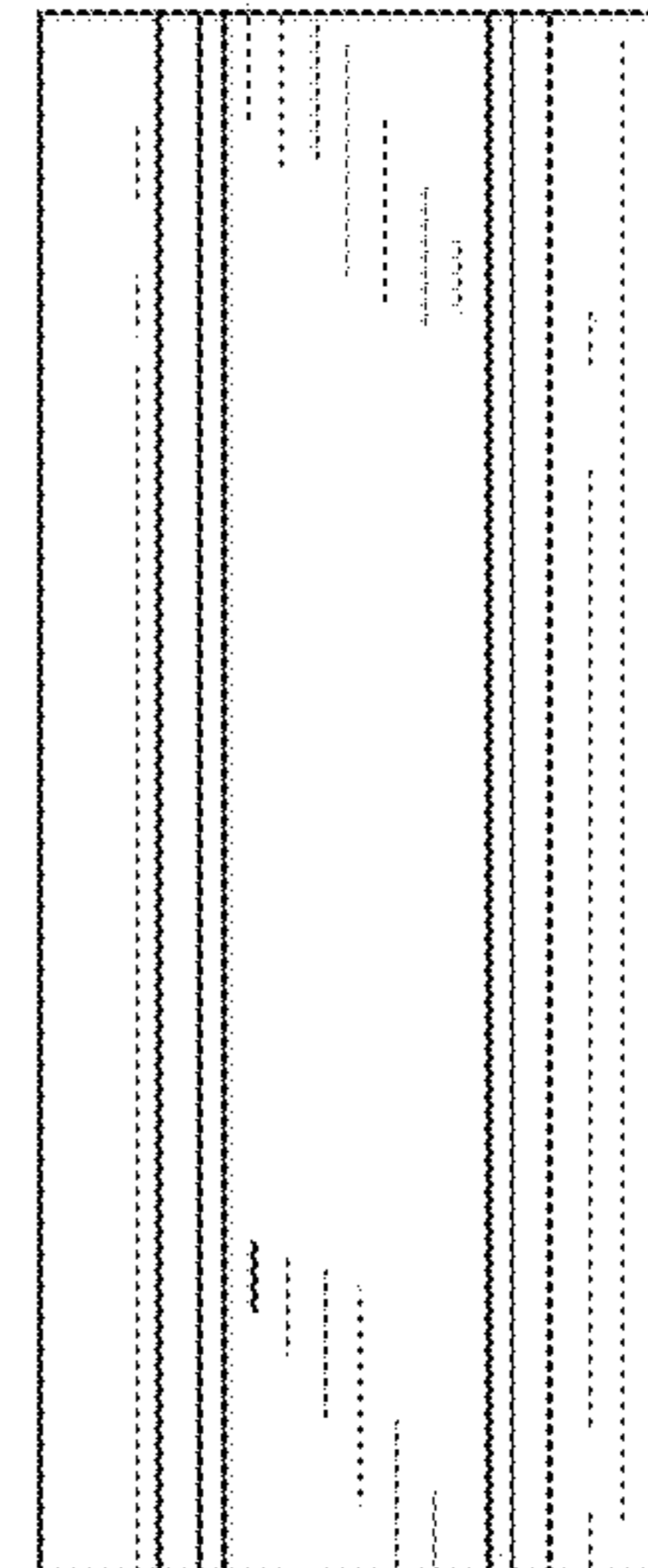
FIG. 2



*FIG. 3*



*FIG. 4*



*FIG. 5*

