



US00D845503S

(12) **United States Design Patent** (10) **Patent No.:** **US D845,503 S**
Jensen et al. (45) **Date of Patent:** **** Apr. 9, 2019**

(54) **INSTRUMENT**

- (71) Applicant: **GenMark Diagnostics, Inc.**, Carlsbad, CA (US)
- (72) Inventors: **Tyler David Jensen**, San Diego, CA (US); **Roger Harry Taylor**, San Diego, CA (US); **Kyoung Ho Kim**, Huntington Beach, CA (US); **Scott O'Brien**, Carlsbad, CA (US)
- (73) Assignee: **GenMark Diagnostics, Inc.**, Carlsbad, CA (US)
- (**) Term: **15 Years**
- (21) Appl. No.: **29/626,592**
- (22) Filed: **Nov. 17, 2017**
- (51) **LOC (11) Cl.** **24-01**
- (52) **U.S. Cl.**
USPC **D24/216**
- (58) **Field of Classification Search**
USPC D24/107, 169, 185, 186, 216-219, D24/231-234; D10/81
CPC G01N 2035/00306; G01N 2035/00326; G01N 2035/00336; G01N 2030/027; G01N 21/76; G01N 1/28; G01N 33/50; G01N 35/025
- See application file for complete search history.

(56) **References Cited**

U.S. PATENT DOCUMENTS

D815,754 S *	4/2018	Morkos	D24/232
2014/0322706 A1 *	10/2014	Kayyem	B01L 3/502715 435/6.11
2015/0323555 A1 *	11/2015	Kayyem	B01L 3/502715 506/39
2016/0129437 A1 *	5/2016	Kayyem	B01L 3/502 204/600

* cited by examiner

Primary Examiner — Anhdao Doan

(74) *Attorney, Agent, or Firm* — Brinks Gilson & Lione

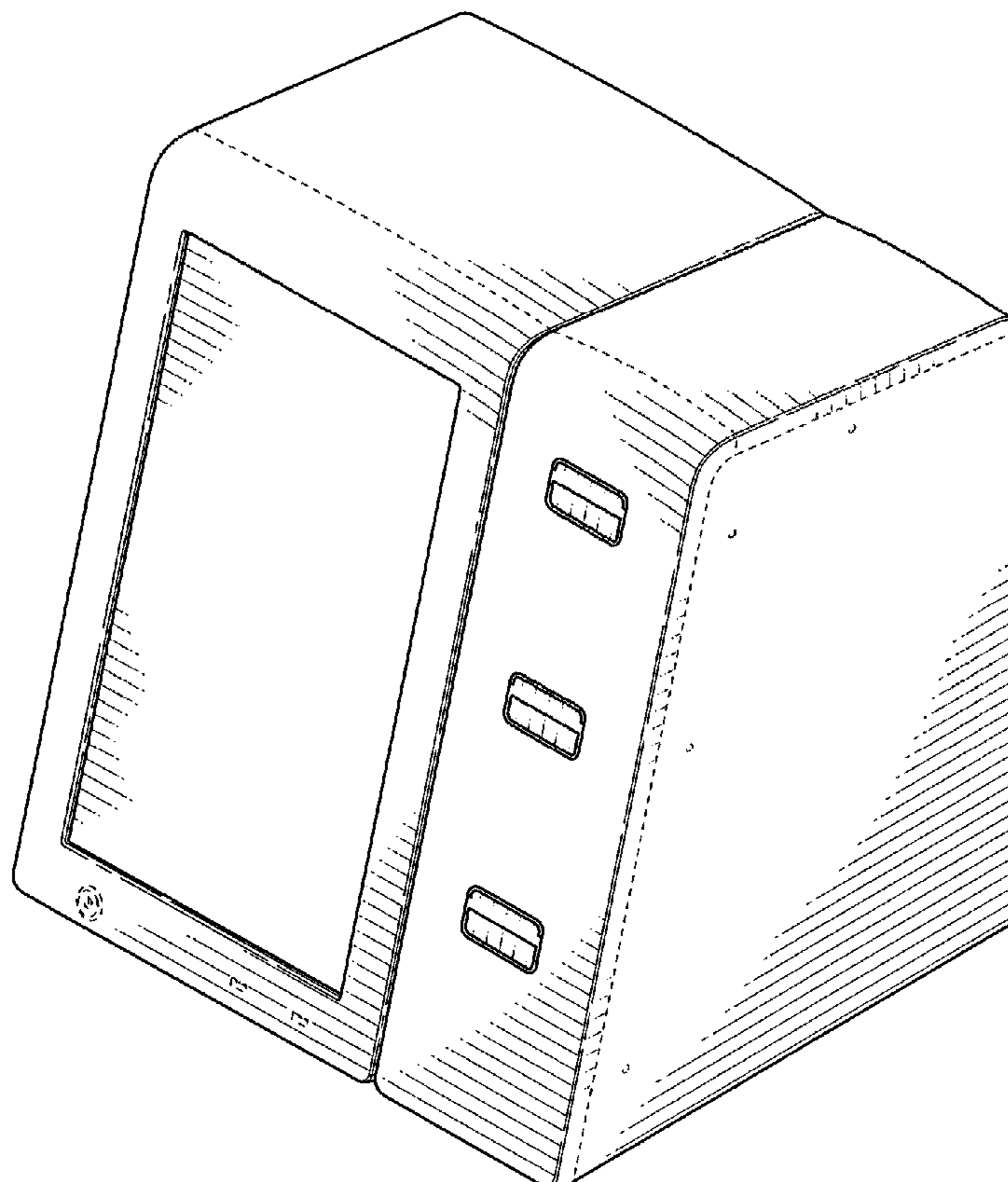
(57) **CLAIM**

The ornamental design for an instrument, as shown and described.

DESCRIPTION

FIG. 1 shows a front, right-hand side perspective view of the instrument;
 FIG. 2 shows a front elevation view thereof;
 FIG. 3 shows a right-side elevation view thereof; and,
 FIG. 4 shows a left-side elevation view thereof.
 The broken lines illustrate portions of the instrument that form no part of the claimed design.

1 Claim, 4 Drawing Sheets



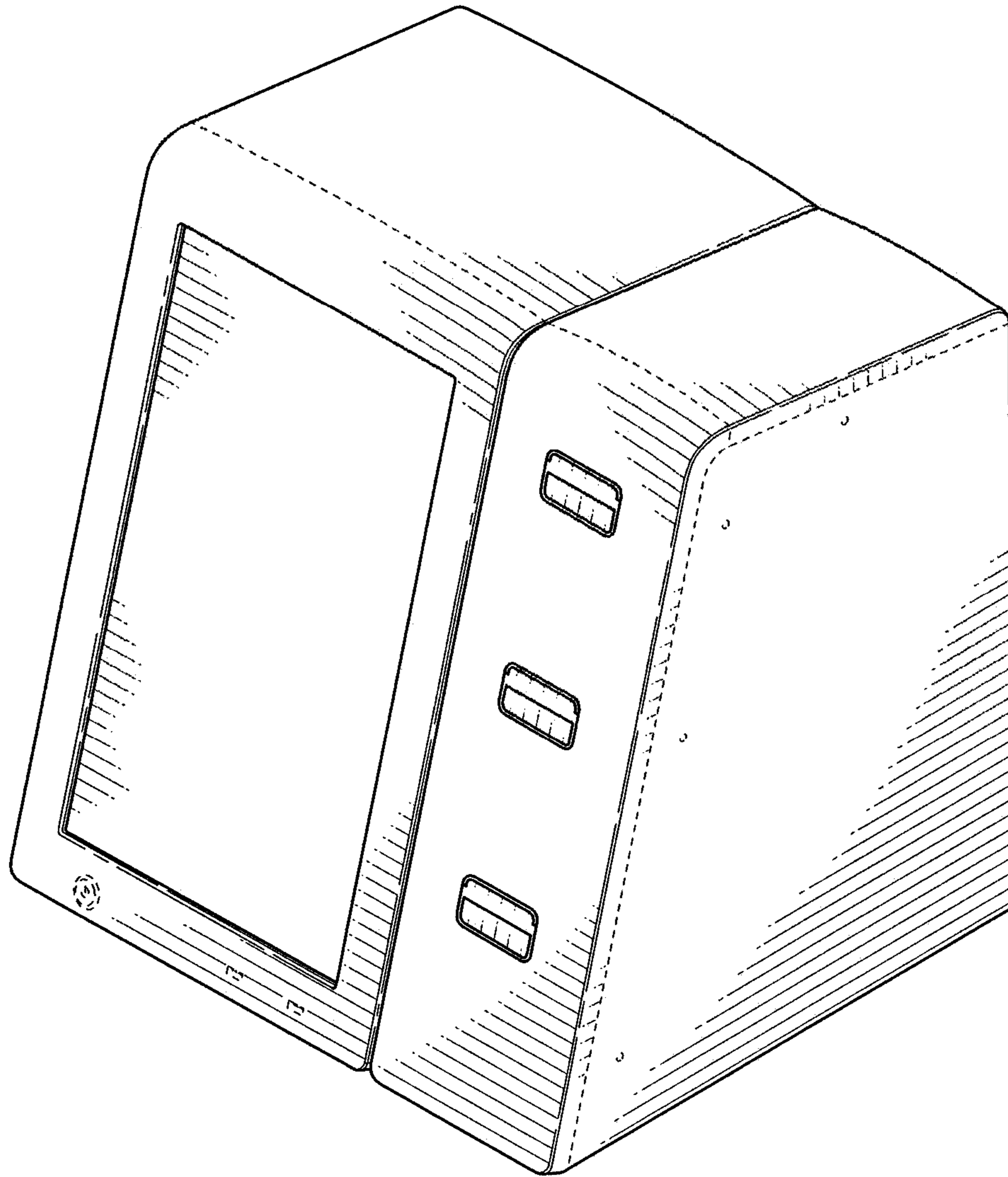


FIG. 1

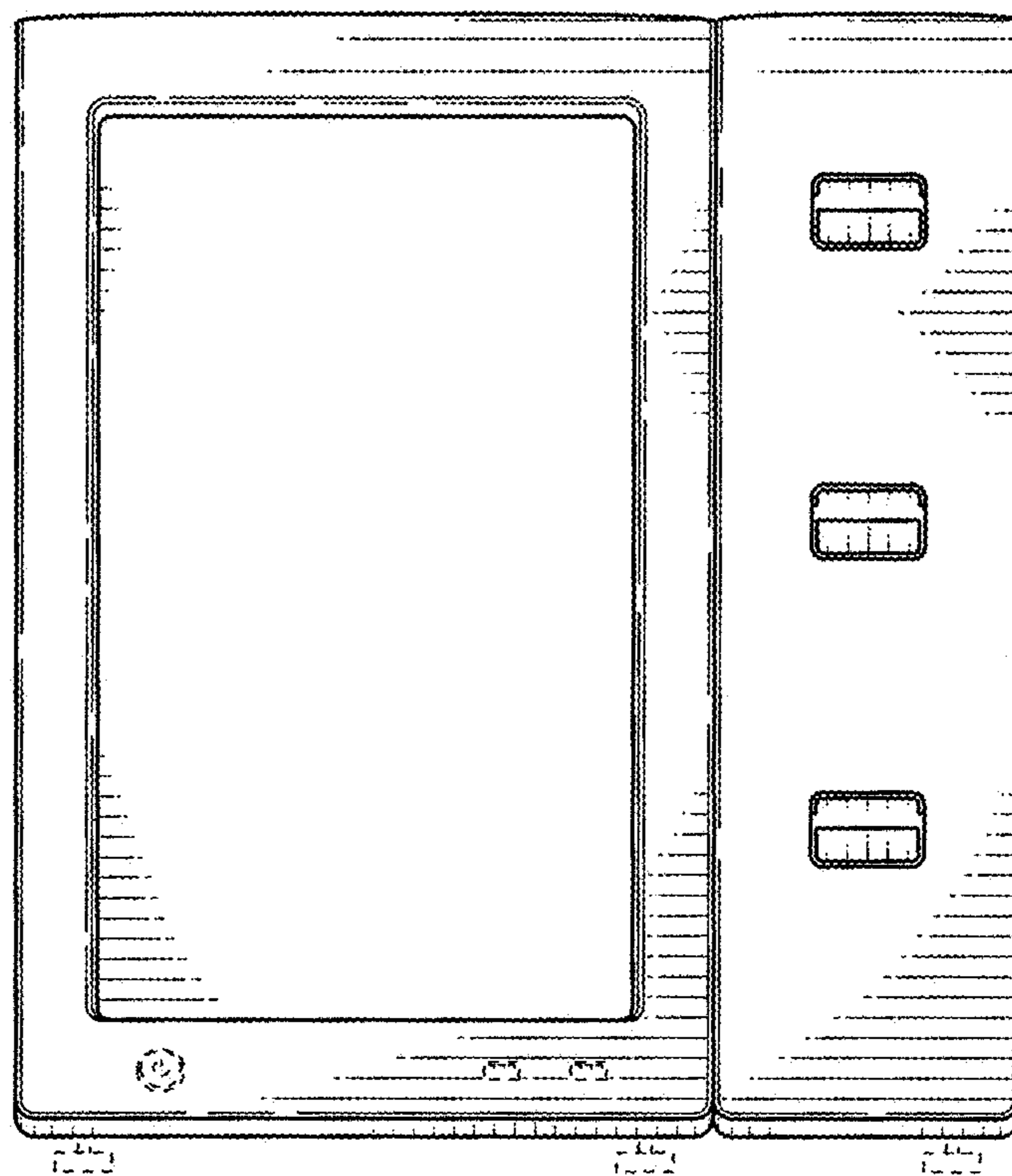


FIG. 2

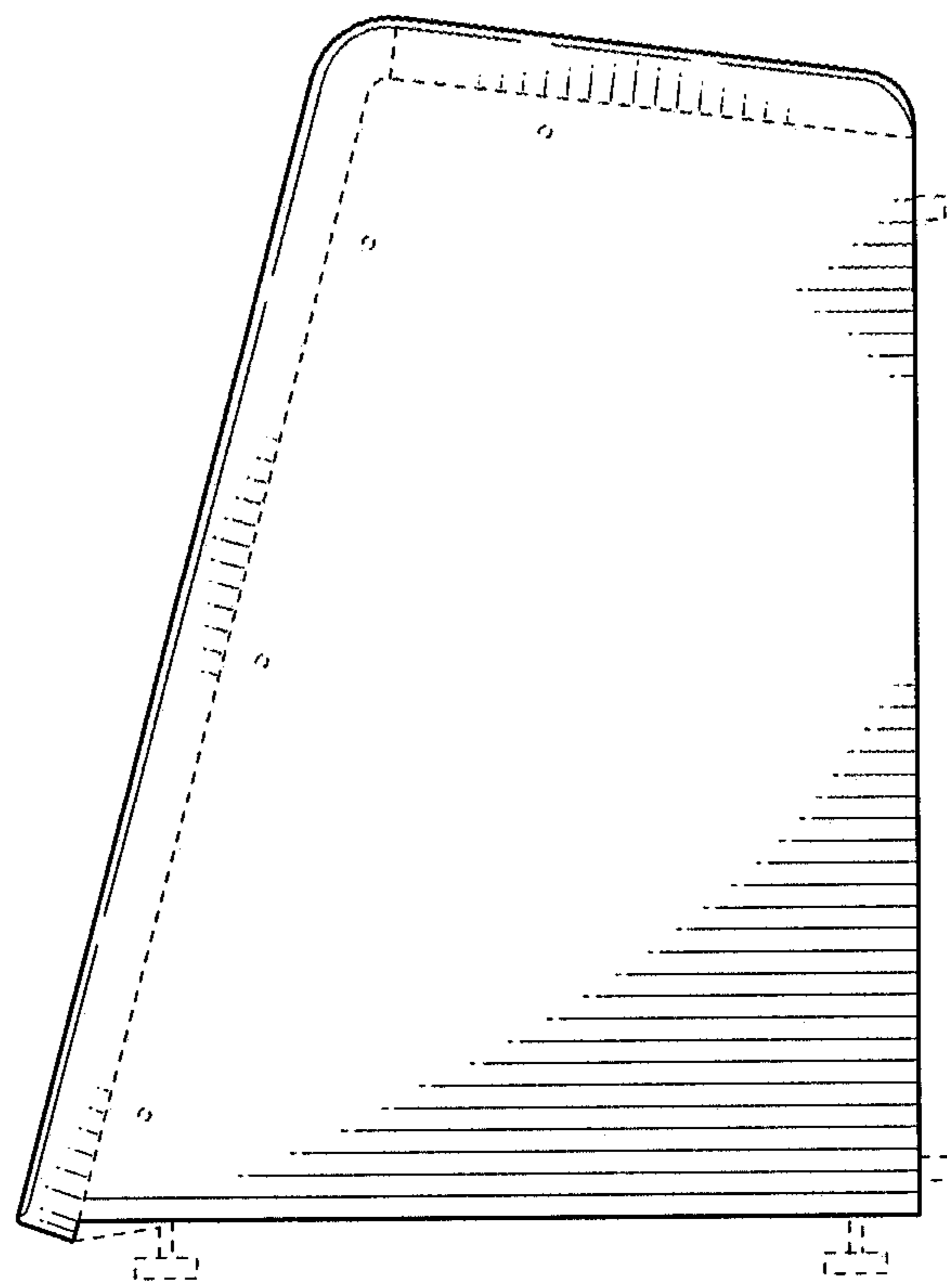


FIG. 3

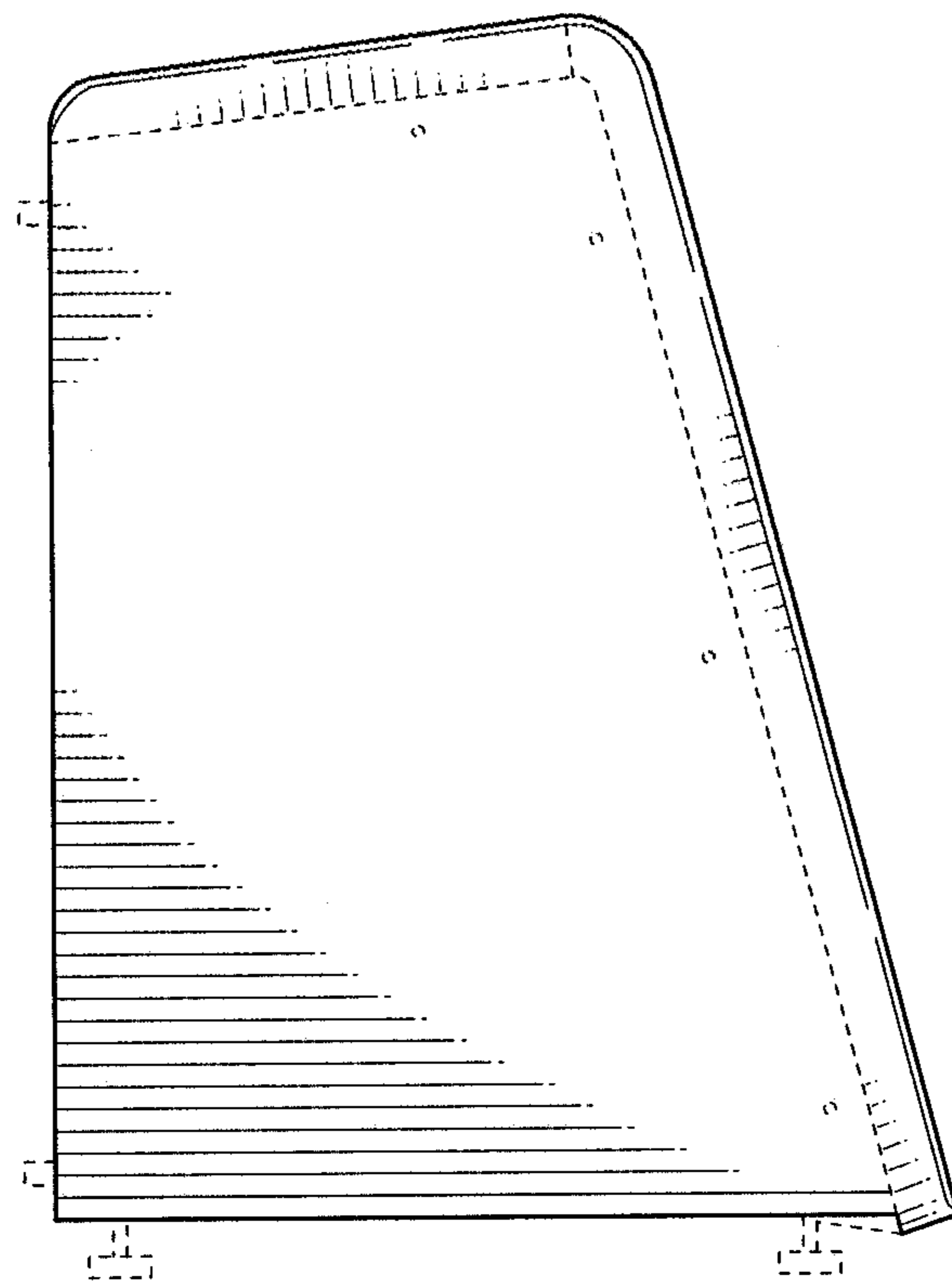


FIG. 4