

US00D845500S

(12) **United States Design Patent** (10) **Patent No.:** **US D845,500 S**
Wersland et al. (45) **Date of Patent:** **** Apr. 9, 2019**

- (54) **MESSAGE ELEMENT**
- (71) Applicant: **THERAGUN, LLC**, Beverly Hills, CA (US)
- (72) Inventors: **Jason Wersland**, Manhattan Beach, CA (US); **Michael Waldron**, Dunnington (GB); **Geert Ensing**, Shanghai (CN)
- (73) Assignee: **THERAGUN, LLC**, Santa Monica, CA (US)
- (**) Term: **15 Years**
- (21) Appl. No.: **29/637,056**
- (22) Filed: **Feb. 13, 2018**

Related U.S. Application Data

- (63) Continuation-in-part of application No. 15/647,050, filed on Jul. 11, 2017.
- (51) **LOC (11) Cl.** **28-03**
- (52) **U.S. Cl.**
USPC **D24/211**
- (58) **Field of Classification Search**
USPC 52/574; 273/153 P, 153 R, 153 S, 157 R, 273/160; 434/211, 259; 600/38; 601/15,
(Continued)

References Cited

U.S. PATENT DOCUMENTS

- 2,510,193 A * 6/1950 Pough A61H 15/00
482/79
- D305,871 S * 2/1990 Geiger D9/435
(Continued)

OTHER PUBLICATIONS

Theragun, "Wedge AnnpBIT", Jul. 2, 2018. <https://theragun.com/collections/the-g2pro-accessories/products/wedge-ampbit-single-unit-for-g2pro>. Shown on p. 1. (Year: 2018).*

Primary Examiner — Cynthia Ramirez
Assistant Examiner — Michael A Maharajh
(74) *Attorney, Agent, or Firm* — Jeffer Mangels; Butler & Mitchell LLP; Brennan C. Swain, Esq.

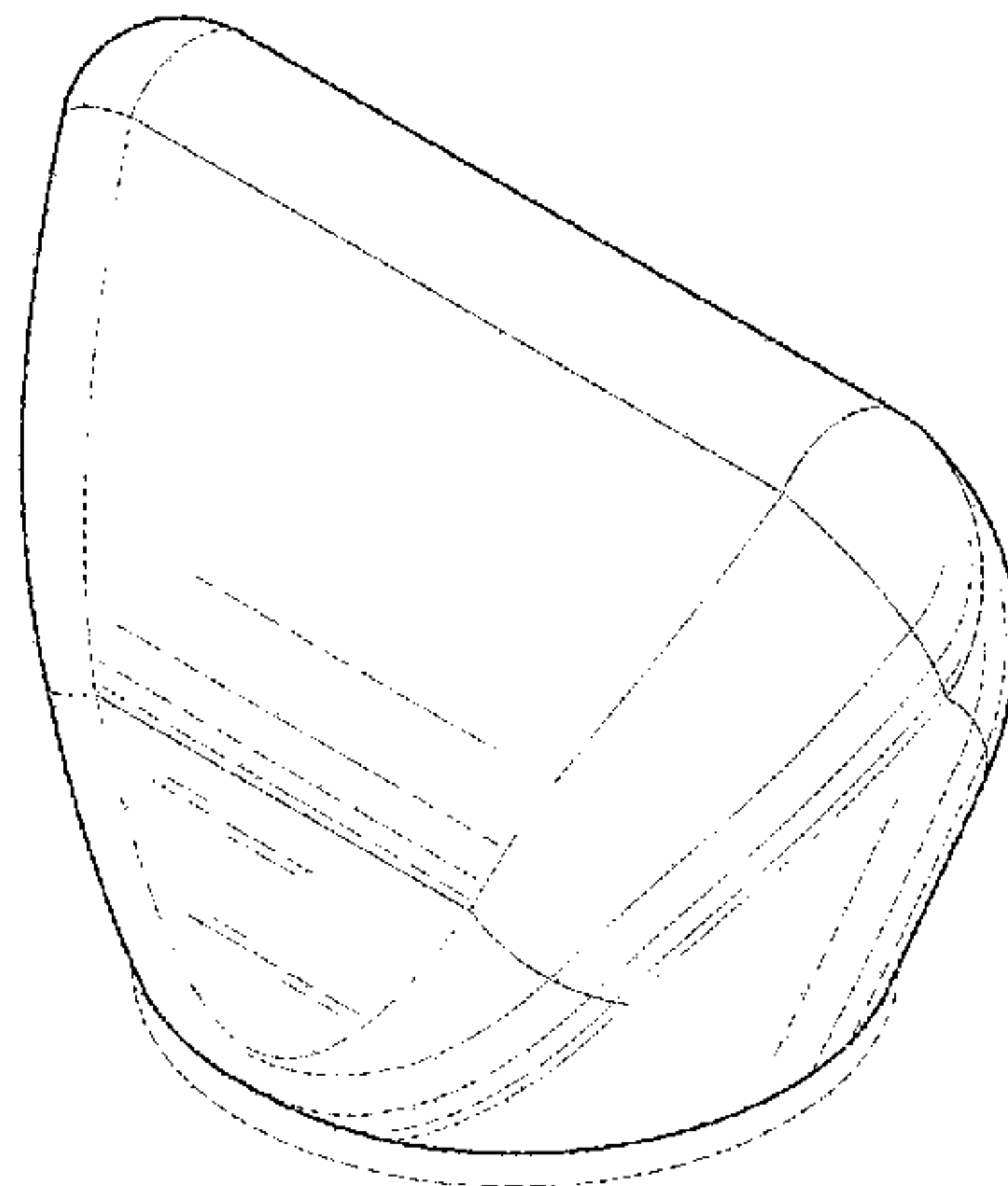
(57) **CLAIM**

The ornamental design for a massage element, as shown and described.

DESCRIPTION

FIG. 1 is a perspective view of the present invention; FIG. 2 is a front elevational view of the present invention shown in FIG. 1, the rear elevational view being a mirror image thereof; FIG. 3 is a right side elevational view of the present invention shown in FIG. 1, the left side elevational view being a mirror image thereof; FIG. 4 is a top plan view of the present invention shown in FIG. 1; FIG. 5 is a bottom plan view of the present invention shown in FIG. 1; FIG. 6 is a perspective view of the present invention; FIG. 7 is a front elevational view of the present invention shown in FIG. 6, the rear elevational view being a mirror image thereof; FIG. 8 is a right side elevational view of the present invention shown in FIG. 6, the left side elevational view being a mirror image thereof; FIG. 9 is a top plan view of the present invention shown in FIG. 6; FIG. 10 is a bottom plan view of the present invention shown in FIG. 6; and, FIG. 11 is a front elevational view of the present invention shown in FIG. 7 with a portion shown in cross-section. The broken lines in the figures are for the purpose of illustrating portions of the massage element that form no part of the claimed design.

1 Claim, 9 Drawing Sheets



US D845,500 S

Page 2

(58) **Field of Classification Search**

USPC .. 601/18, 19, 27, 28, 29, 30, 31, 32, 46, 47,
601/48, 52, 72, 99, 112, 113, 118, 135,
601/137, DIG. 12, DIG. 14, DIG. 15,
601/DIG. 16, DIG. 17; D21/505;
D24/200, 211, 212, 213, 214, 215;
D9/434, 443, 454
CPC A61H 15/00; A61H 2015/0014
See application file for complete search history.

(56) **References Cited**

U.S. PATENT DOCUMENTS

D311,063 S * 10/1990 Stephenson D24/197
5,186,703 A * 2/1993 Huang A61H 7/001
482/148
D346,333 S * 4/1994 Bertolini D9/542
D357,322 S * 4/1995 Matthews D24/200
D381,906 S * 8/1997 Bartsch D9/438

D389,409 S * 1/1998 Tucker D9/454
D394,006 S * 5/1998 Toleman D9/435
D403,076 S * 12/1998 York D24/214
D422,218 S * 4/2000 Ohchi D9/454
D478,994 S * 8/2003 Pitzen D24/200
D490,902 S * 6/2004 Pitzen D24/200
D630,760 S * 1/2011 Imboden D24/211
D667,131 S * 9/2012 Faussett D24/215
D698,035 S * 1/2014 Turner D24/215
D712,056 S * 8/2014 Deramo D24/215
D717,964 S * 11/2014 Kalen D24/215
D759,322 S * 6/2016 Raines D30/160
D789,548 S * 6/2017 Cheng D24/211
D790,717 S * 6/2017 Clores D24/197
9,694,142 B2 * 7/2017 Banar A61H 15/0092
D806,889 S * 1/2018 Holland D24/211
D822,221 S * 7/2018 Huth D24/211
10,029,391 B2 * 7/2018 Hall E21B 10/5673
D826,417 S * 8/2018 Faussett D24/211
D827,146 S * 8/2018 Faussett D24/211

* cited by examiner

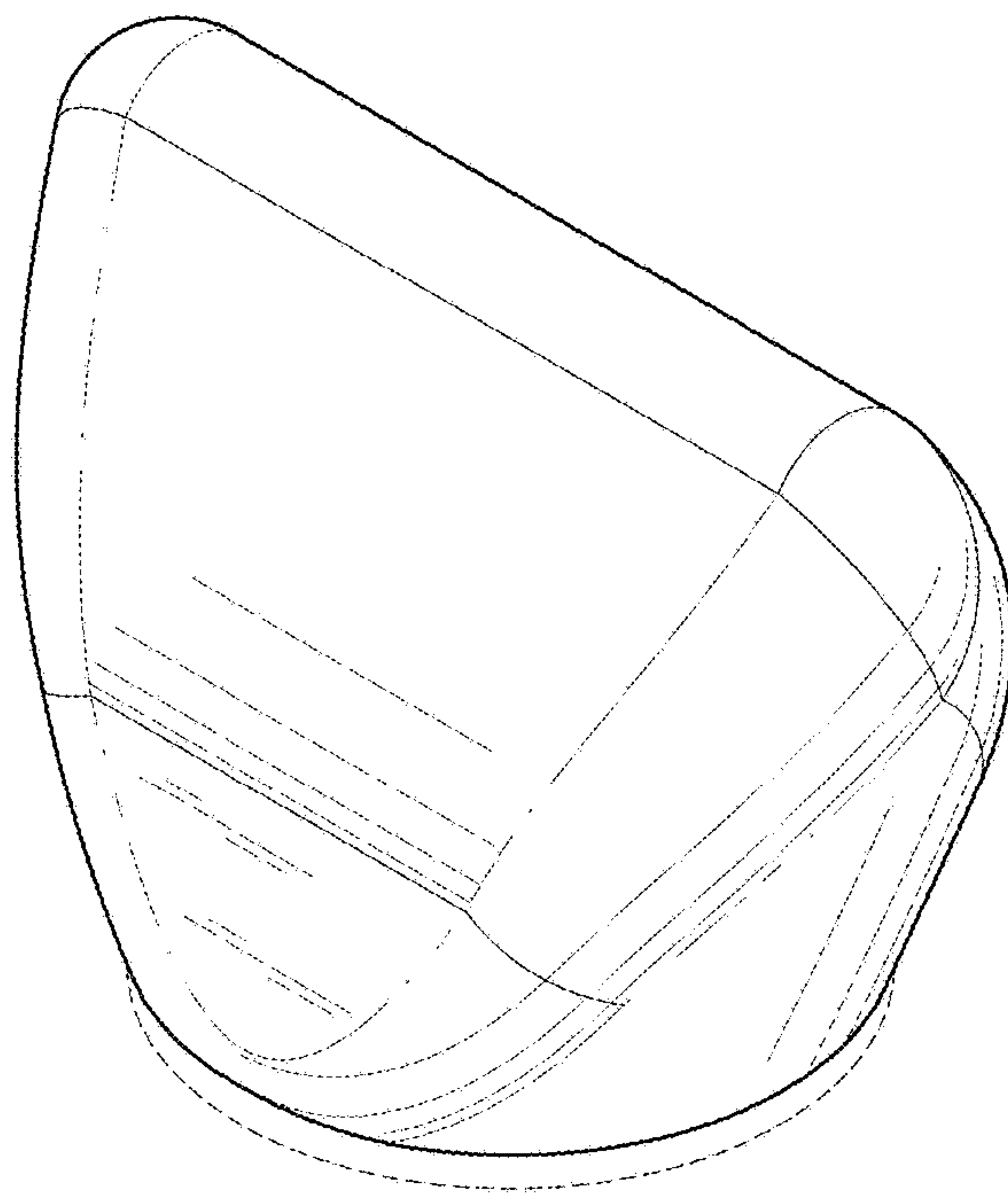


FIG. 1

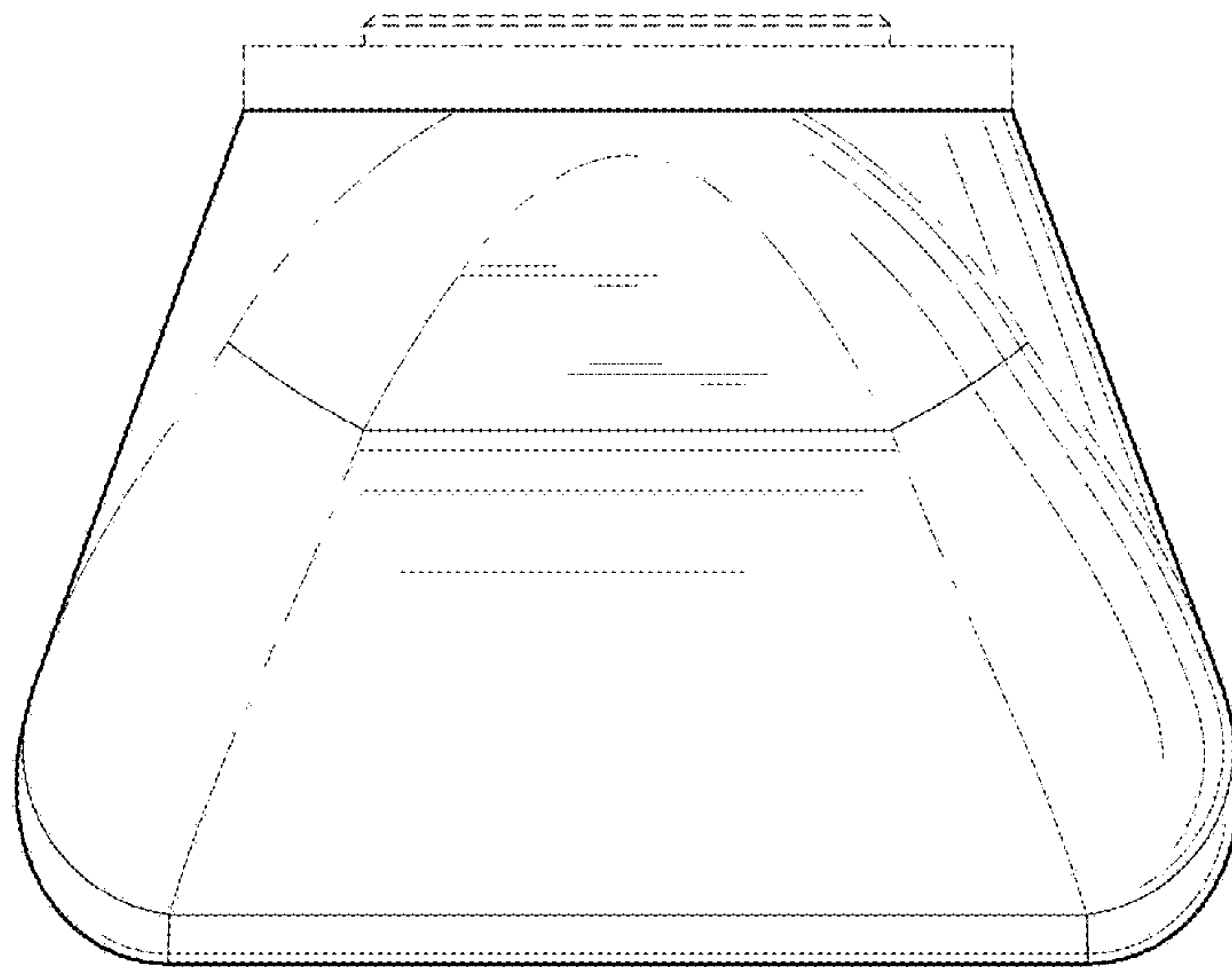


FIG. 2

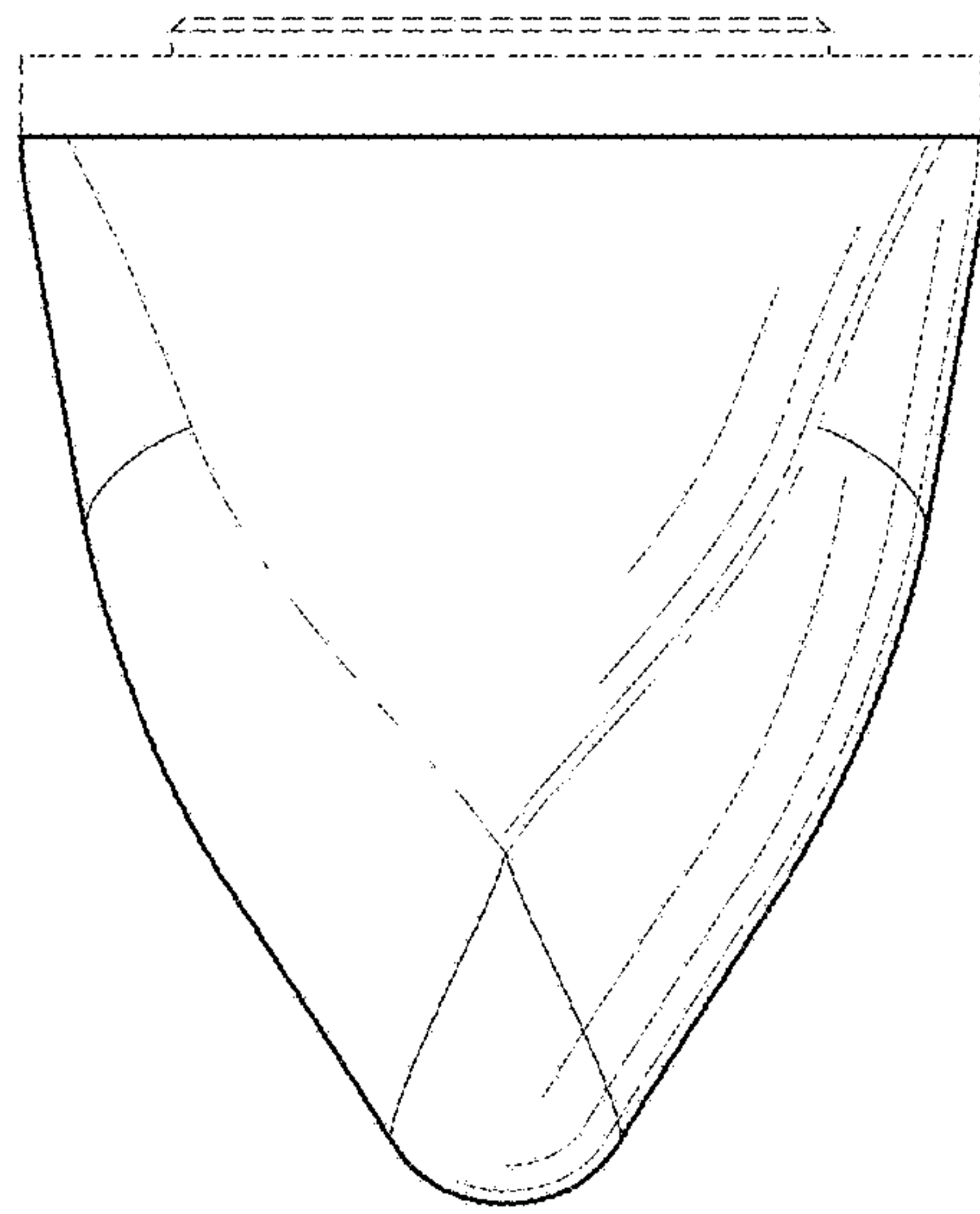


FIG. 3

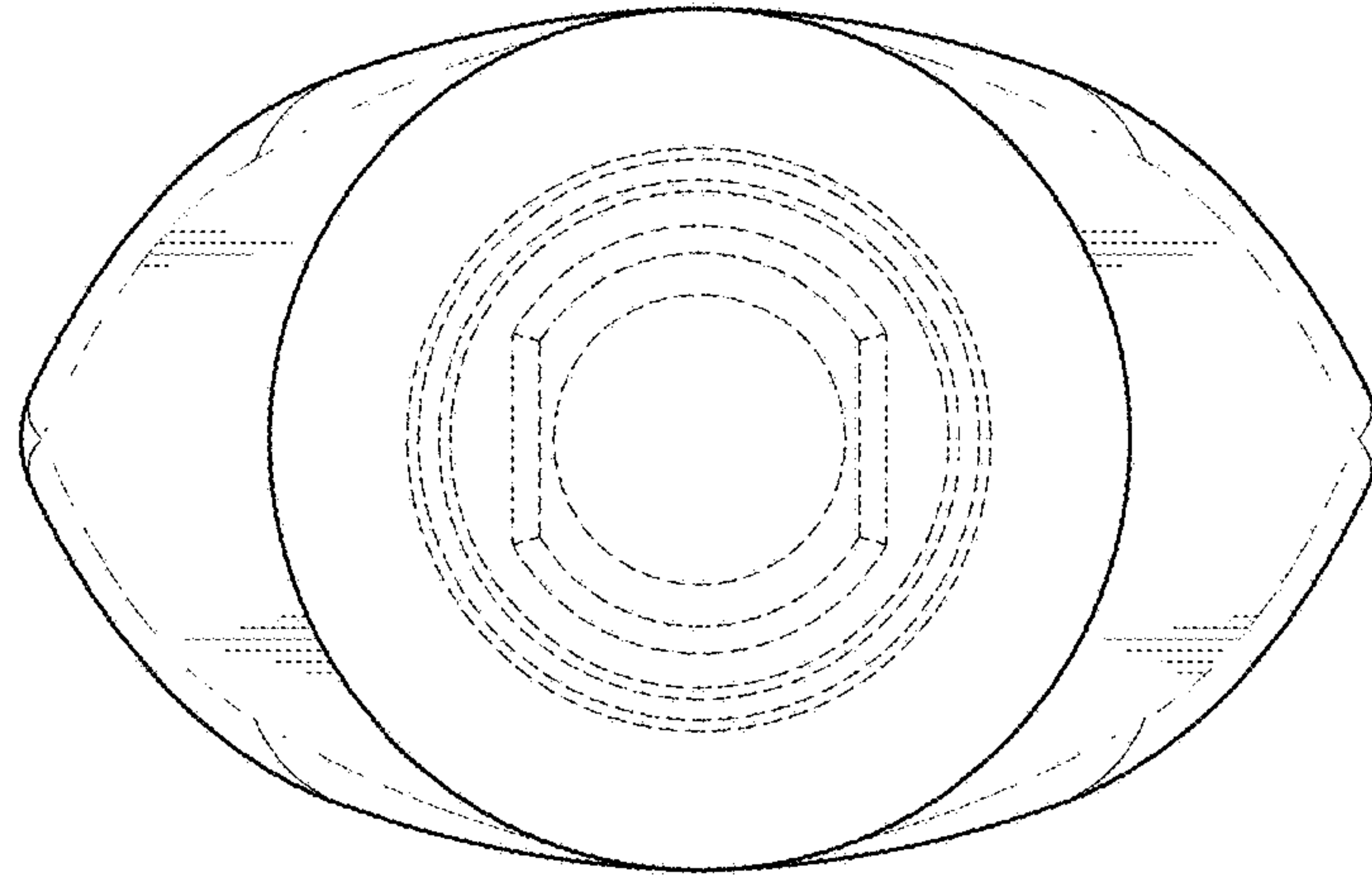


FIG. 4

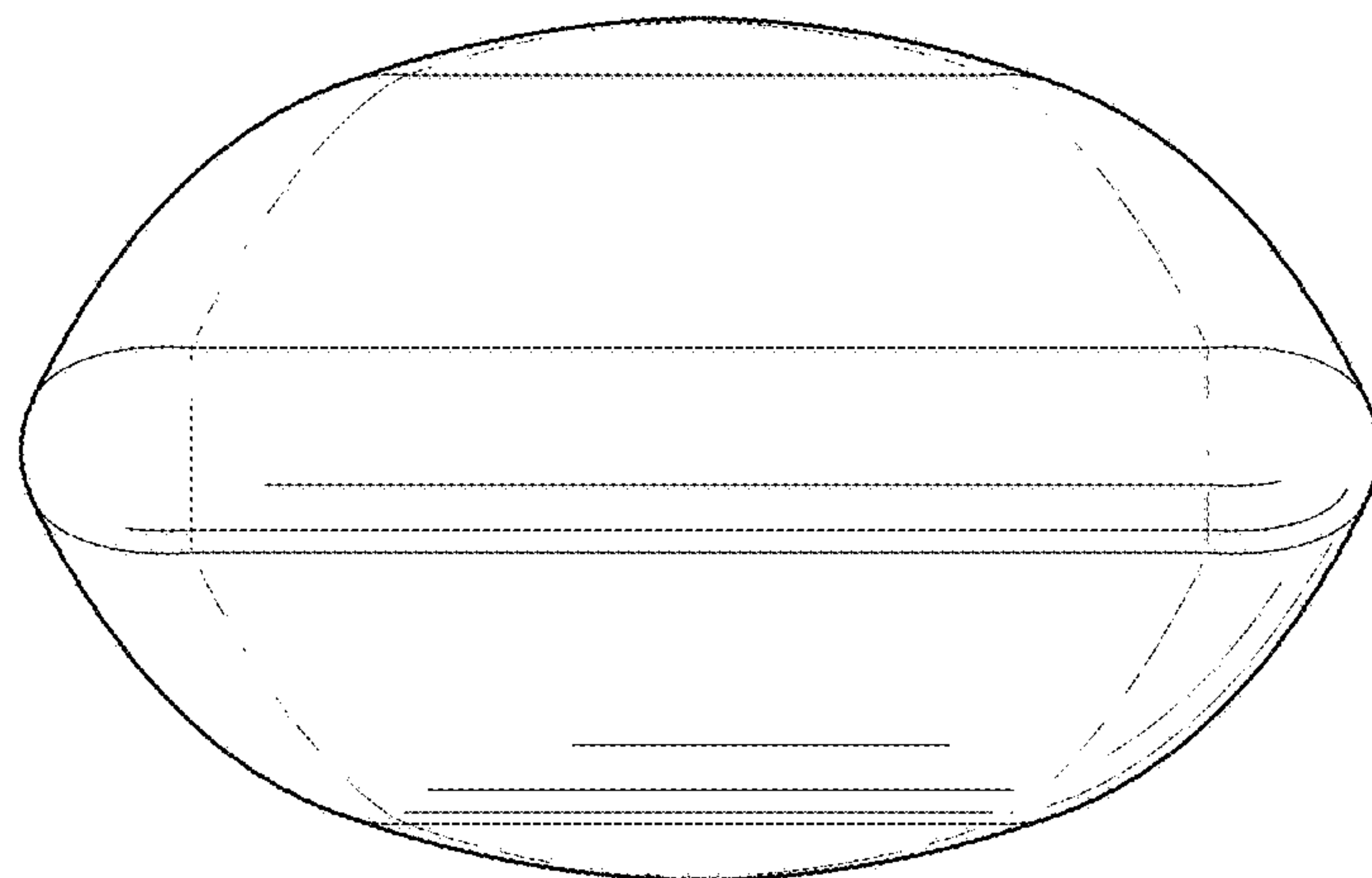


FIG. 5

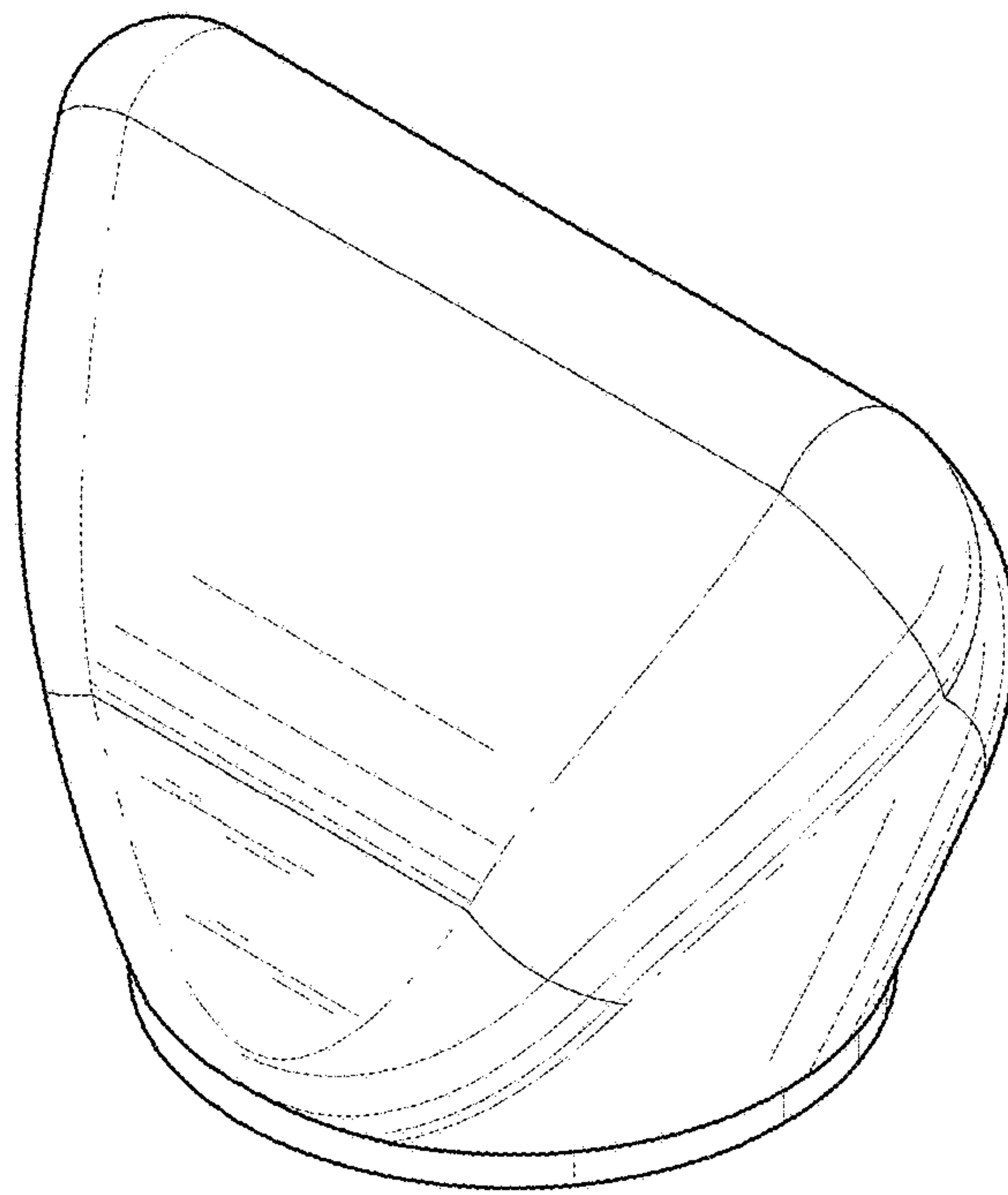


FIG. 6

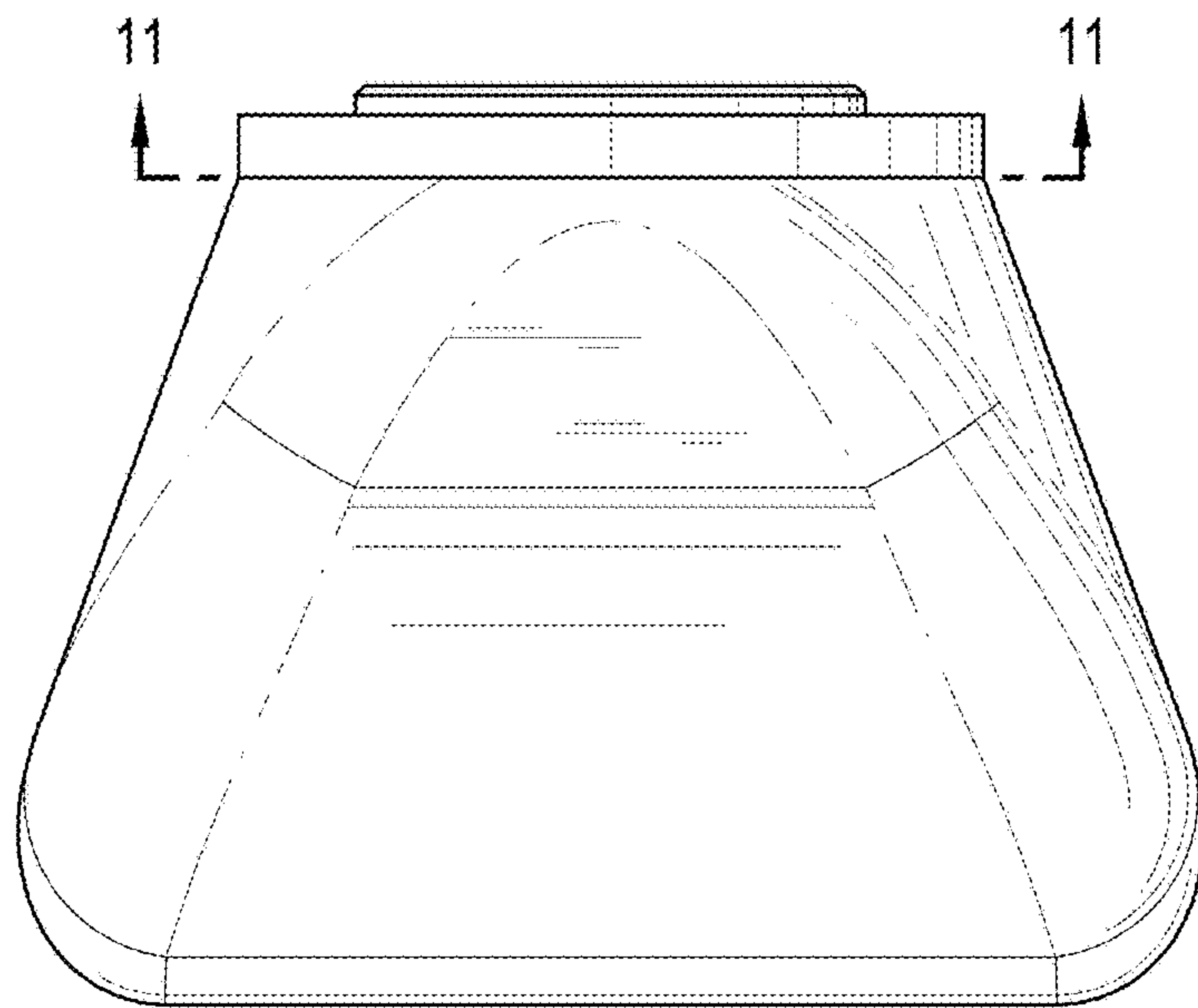


FIG. 7

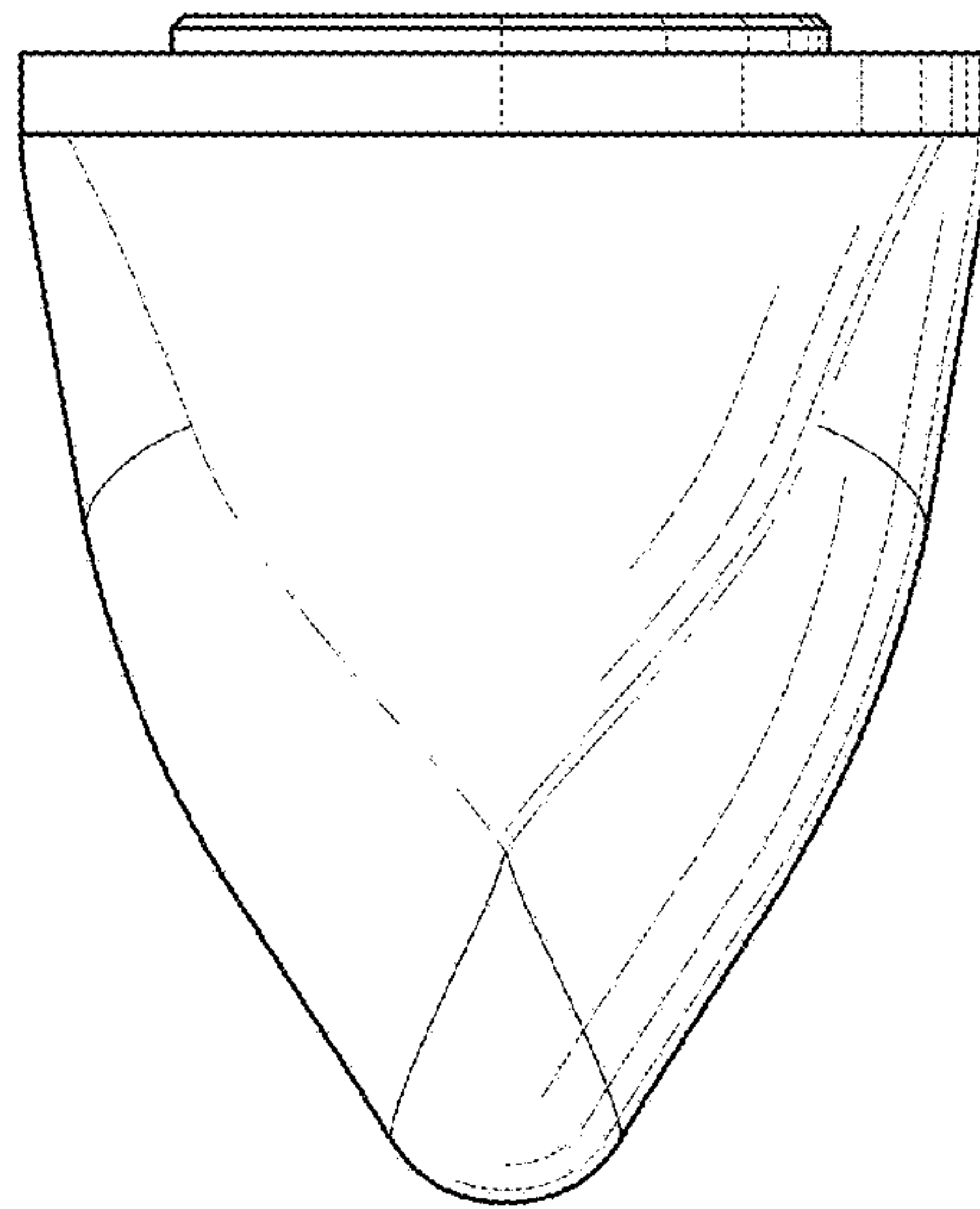


FIG. 8

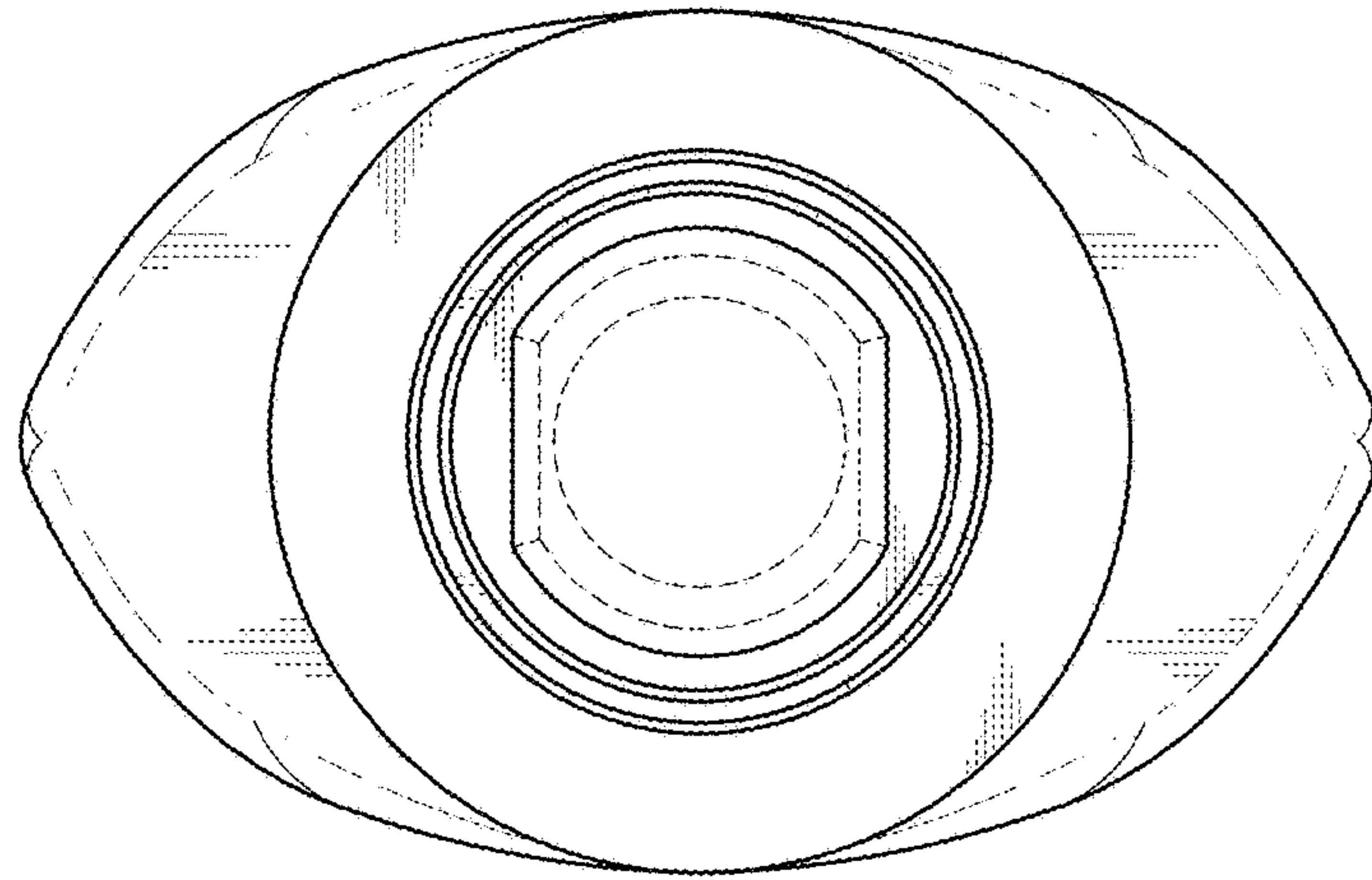


FIG. 9

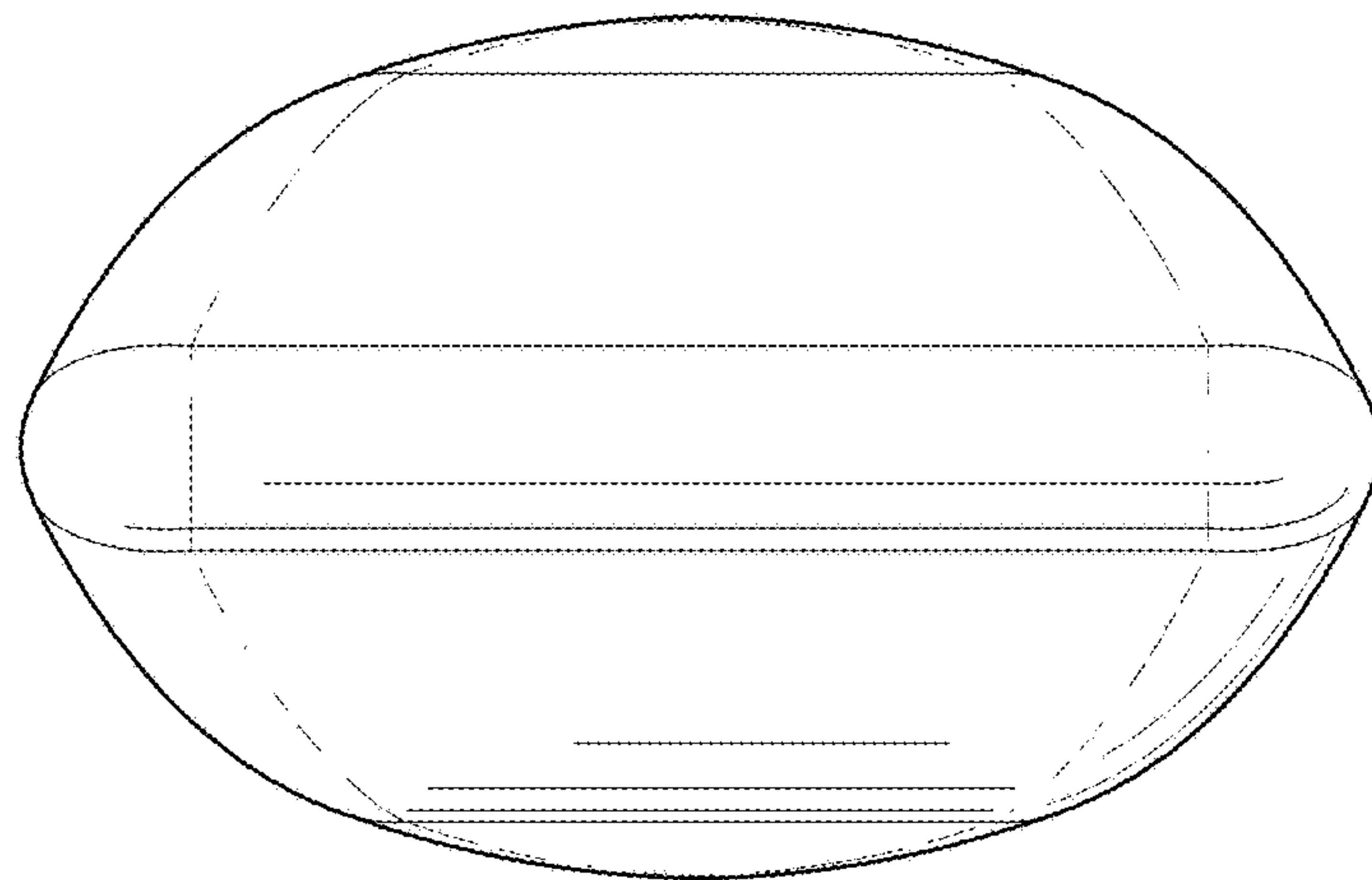


FIG. 10

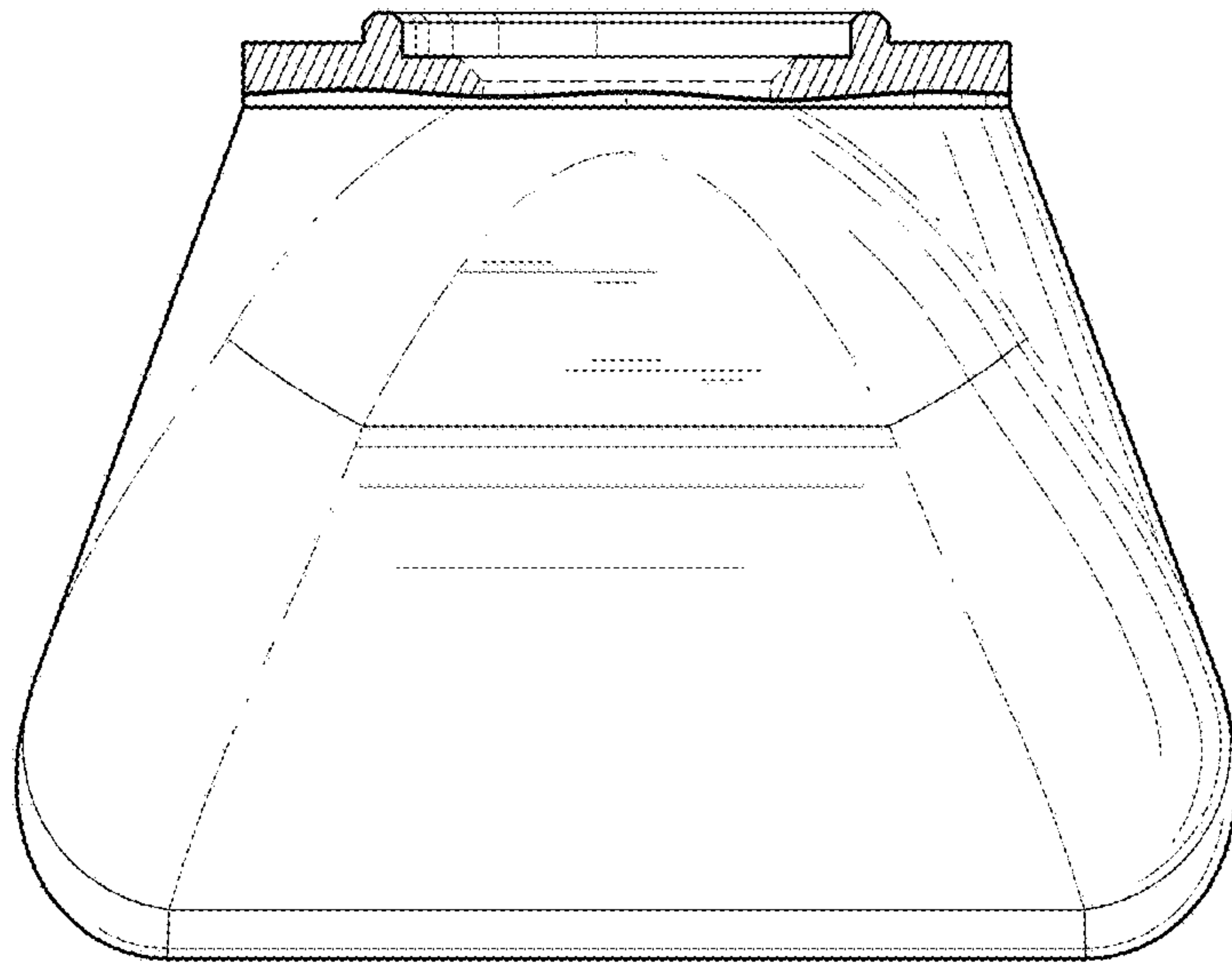


FIG. 11