



US00D845490S

(12) **United States Design Patent**  
**Pierson et al.**

(10) **Patent No.:** **US D845,490 S**

(45) **Date of Patent:** **\*\* Apr. 9, 2019**

(54) **IMPRESSION MATERIAL TRAY**

(71) Applicant: **DENTSPLY SIRONA Inc.**, York, PA (US)

(72) Inventors: **Paul Pierson**, Camden, DE (US);  
**Andrew Coste**, Swarthmore, PA (US);  
**Naim Karazivan**, Repentigny (CA);  
**Dustin Gaidos**, Milton, MA (US);  
**Michael Metz**, Minneapolis, MN (US)

(73) Assignee: **DENTSPLY SIRONA Inc.**, York, PA (US)

(\*\*) Term: **15 Years**

(21) Appl. No.: **29/634,813**

(22) Filed: **Jan. 25, 2018**

(51) **LOC (11) Cl.** ..... **24-02**

(52) **U.S. Cl.**  
USPC ..... **D24/181**

(58) **Field of Classification Search**  
USPC ..... D24/180–182, 176, 152; 433/34, 36, 37,  
433/47–48, 213–214  
CPC ..... A61C 9/00; A61C 9/0006  
See application file for complete search history.

(56) **References Cited**

**U.S. PATENT DOCUMENTS**

D302,463 S \* 7/1989 Wolfe ..... D24/181  
D383,845 S \* 9/1997 Mitchell ..... D24/181

D465,574 S \* 11/2002 Eyde ..... D24/181  
6,913,461 B2 \* 7/2005 Gittleman ..... A61C 9/0006  
433/37  
D521,150 S \* 5/2006 Kwok ..... D24/181  
D571,919 S \* 6/2008 Kwon ..... D24/181  
8,979,530 B2 \* 3/2015 McDonald ..... A61C 9/0006  
433/37  
D726,325 S \* 4/2015 Tanaka ..... D24/181  
2018/0206947 A1 \* 7/2018 Pierson ..... A61C 9/0006

\* cited by examiner

*Primary Examiner* — Wan Laymon

(74) *Attorney, Agent, or Firm* — Dentsply Sirona Inc.

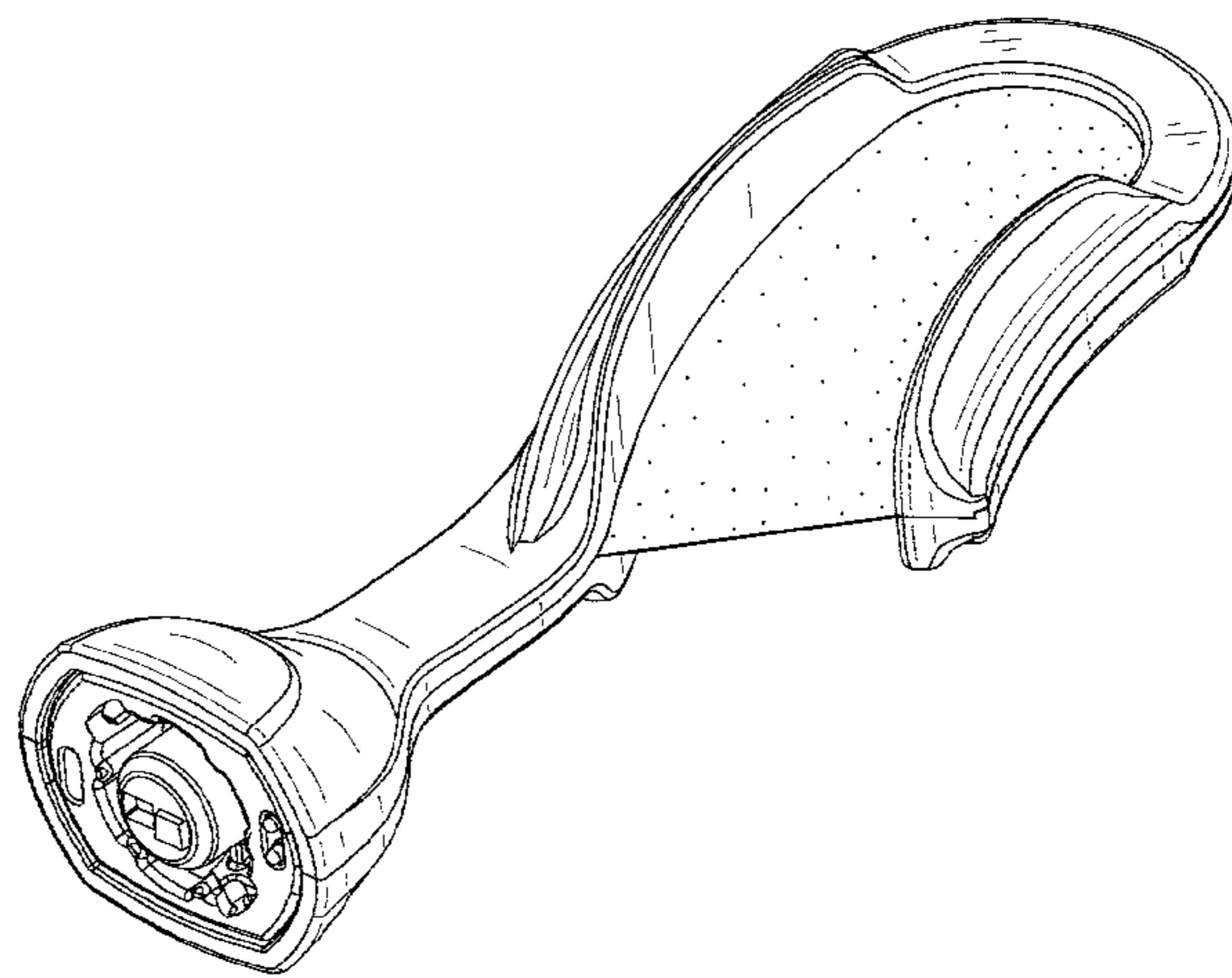
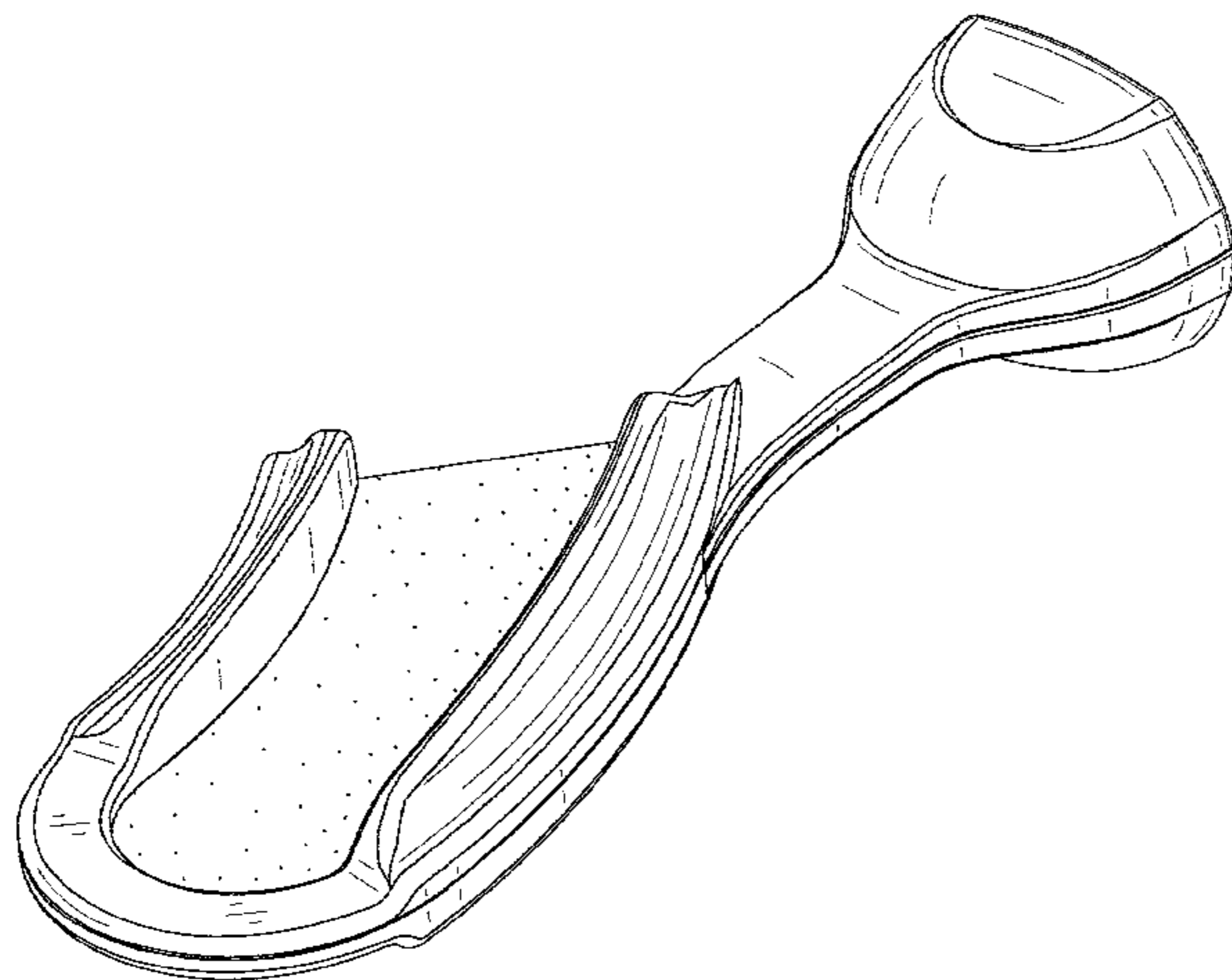
(57) **CLAIM**

The ornamental design for an impression material tray, as shown and described.

**DESCRIPTION**

FIG. 1 is a first isometric view of an impression material tray showing our new design;  
FIG. 2 is a second isometric view thereof;  
FIG. 3 is a front view thereof;  
FIG. 4 is a rear view thereof;  
FIG. 5 is a first side view thereof;  
FIG. 6 is a second side view thereof;  
FIG. 7 is a top view thereof; and,  
FIG. 8 is a bottom view thereof.

**1 Claim, 5 Drawing Sheets**



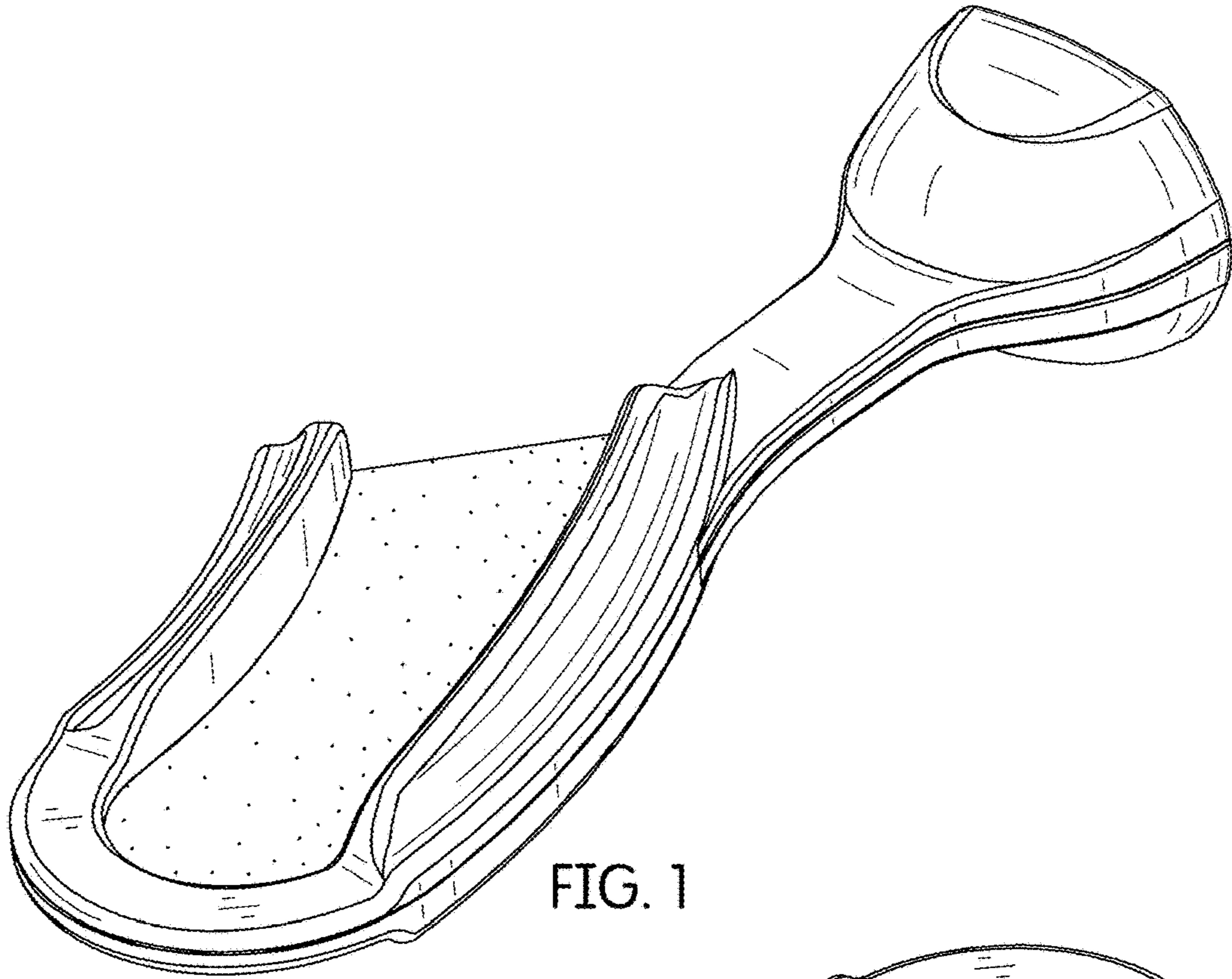


FIG. 1

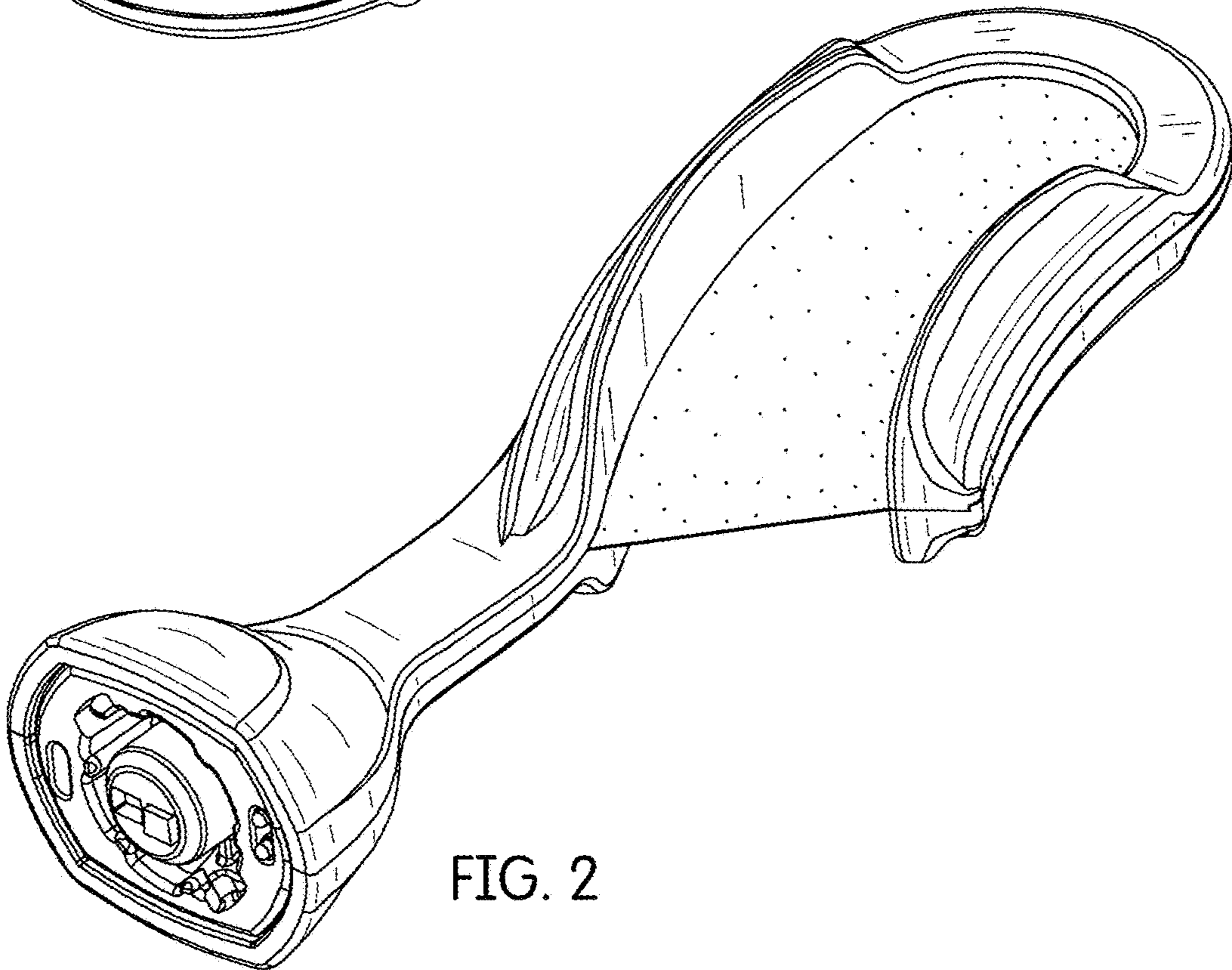


FIG. 2

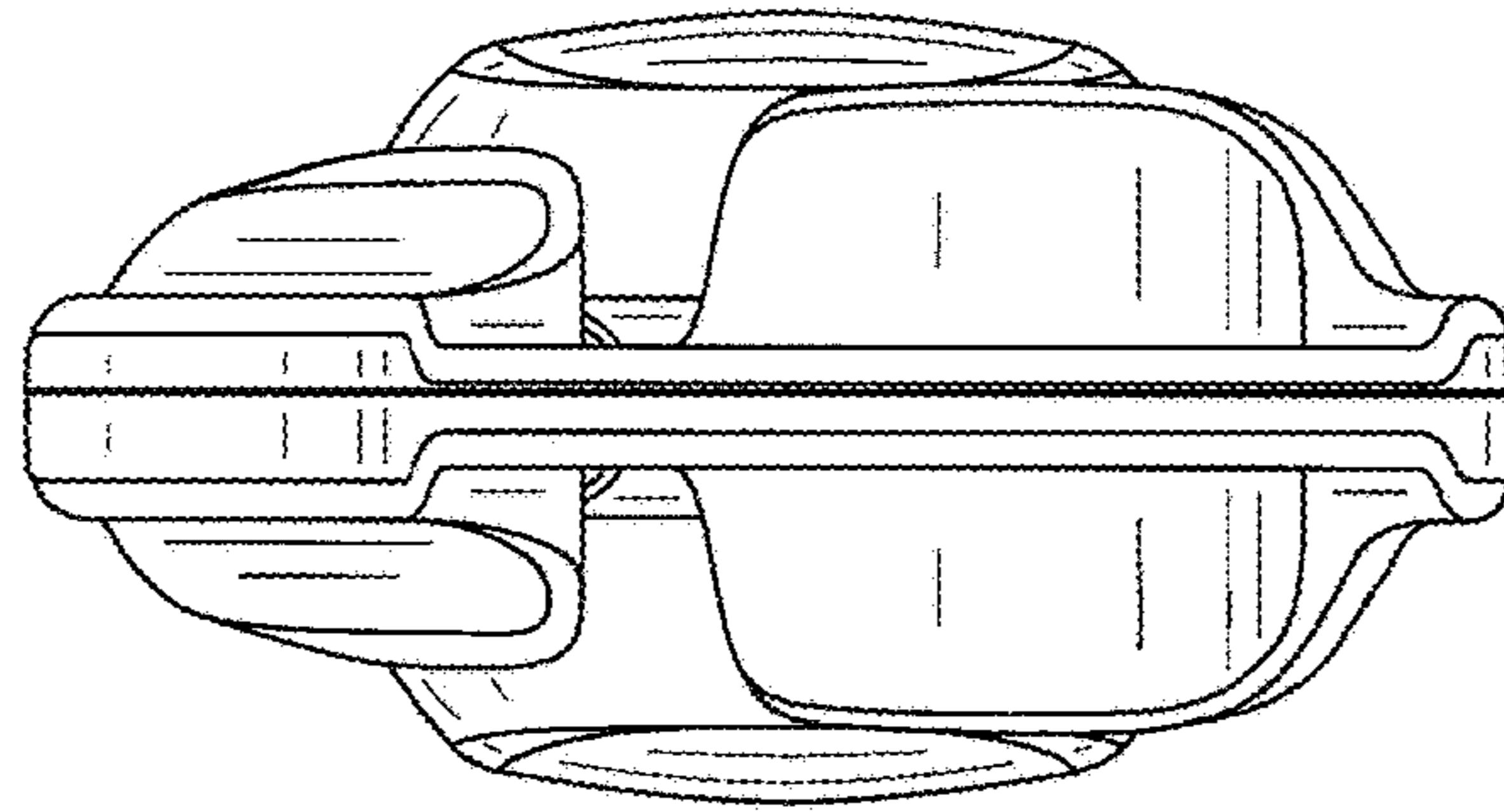


FIG. 3

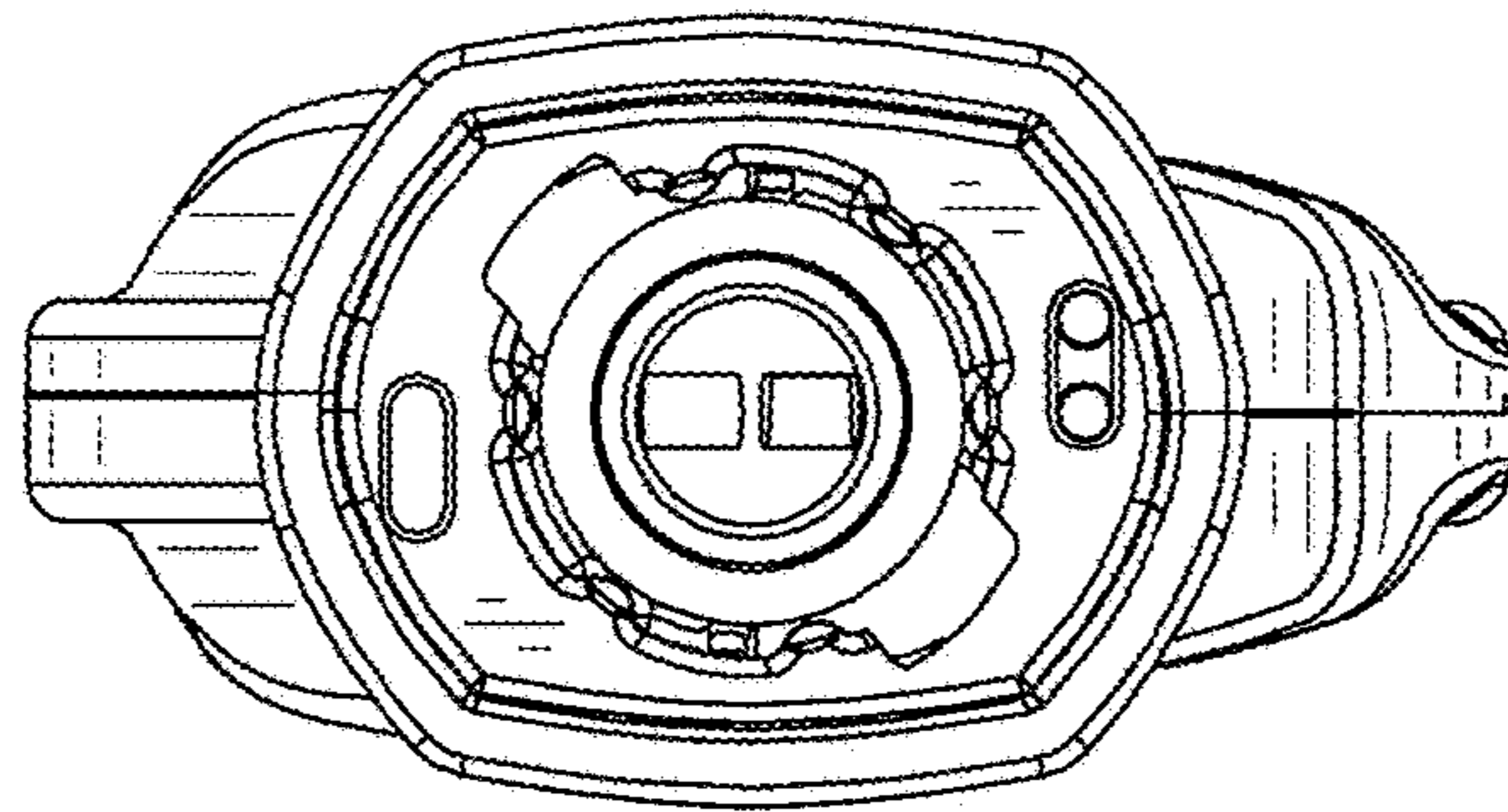


FIG. 4

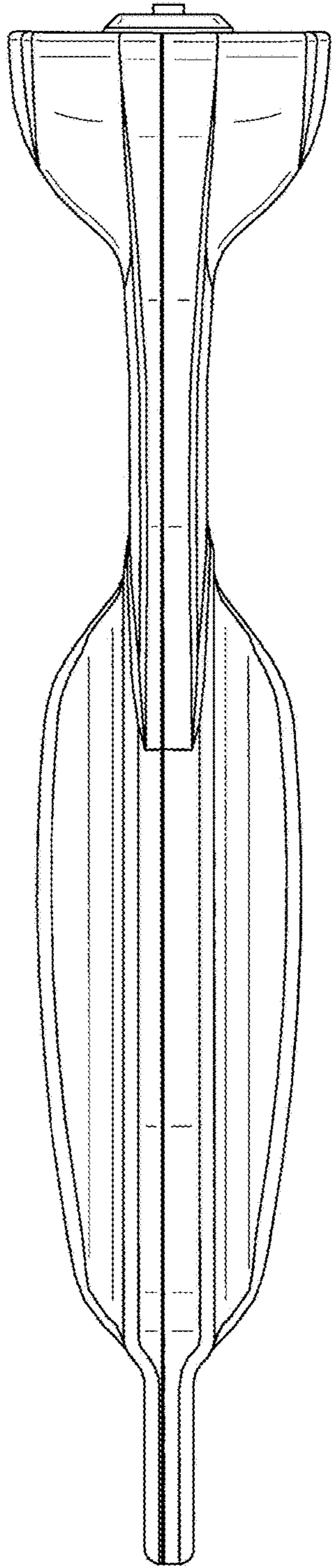


FIG. 5

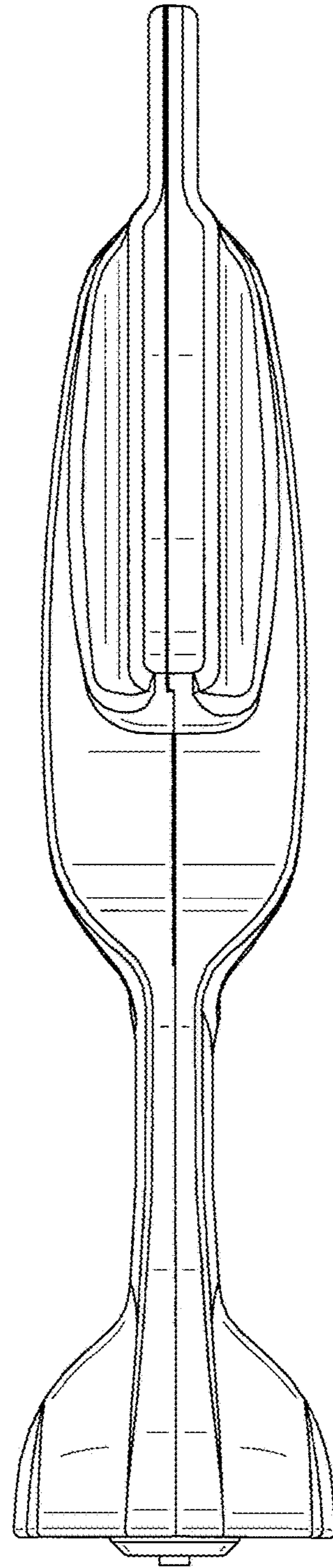


FIG. 6

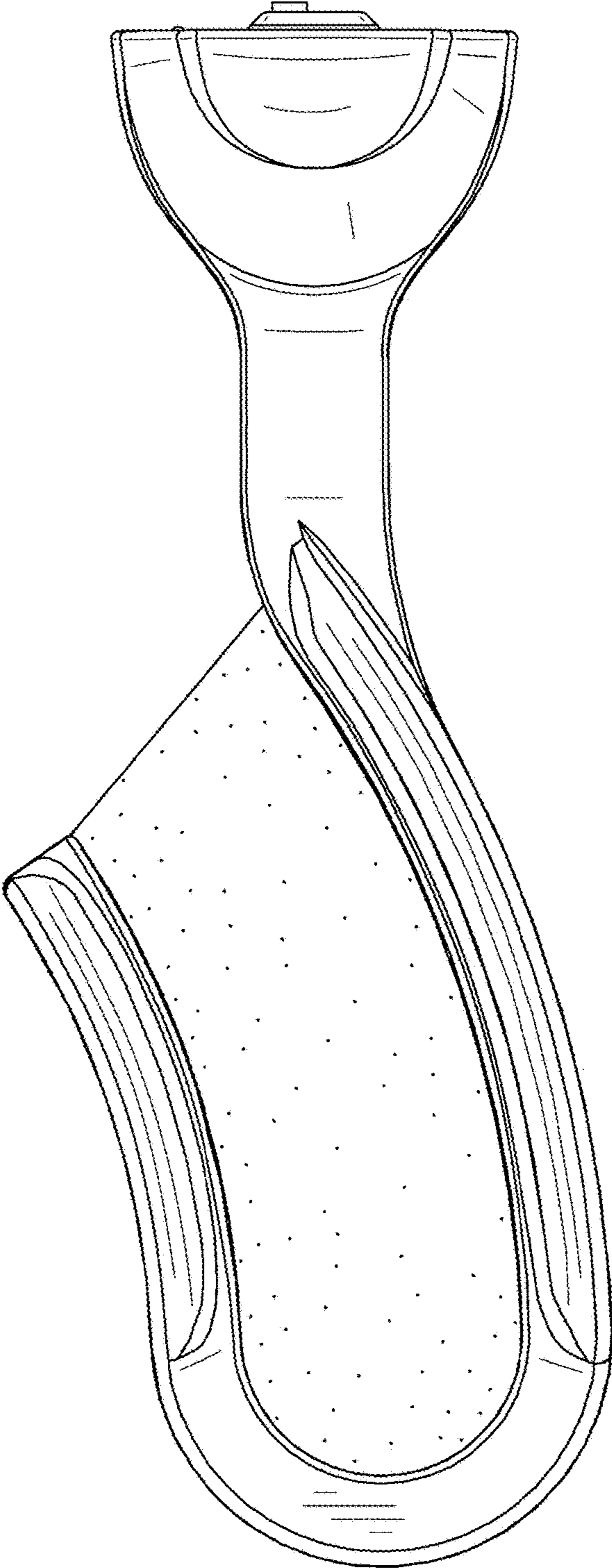


FIG. 7

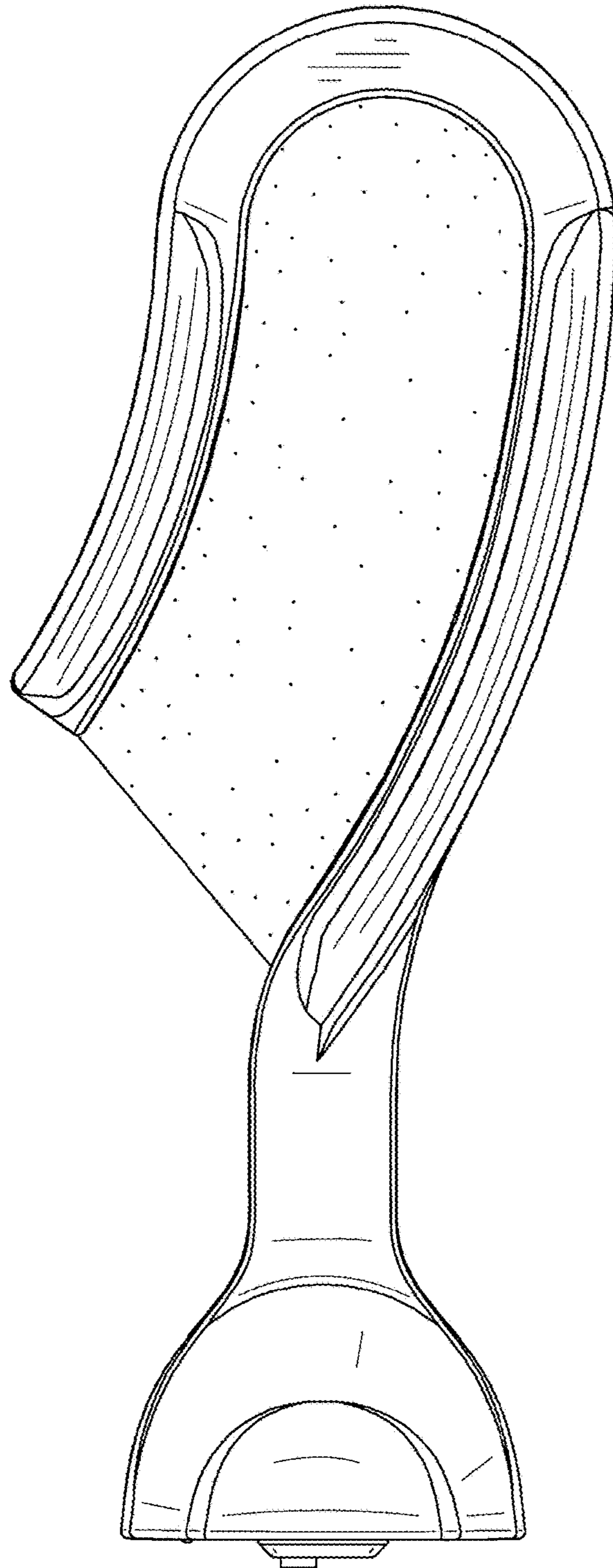


FIG. 8