



US00D845489S

(12) **United States Design Patent**  
**Pierson et al.**

(10) **Patent No.:** **US D845,489 S**

(45) **Date of Patent:** **\*\* Apr. 9, 2019**

(54) **IMPRESSION MATERIAL TRAY**

(71) Applicant: **DENTSPLY SIRONA Inc.**, York, PA (US)

(72) Inventors: **Paul Pierson**, Camden, DE (US);  
**Andrew Coste**, Swarthmore, PA (US);  
**Naim Karazivan**, Repentigny (CA);  
**Dustin Gaidos**, Milton, MA (US);  
**Michael Metz**, Minneapolis, MN (US)

(73) Assignee: **DENTSPLY SIRONA Inc.**, York, PA (US)

(\*\*) Term: **15 Years**

(21) Appl. No.: **29/634,811**

(22) Filed: **Jan. 25, 2018**

(51) **LOC (11) Cl.** ..... **24-02**

(52) **U.S. Cl.**  
USPC ..... **D24/181**

(58) **Field of Classification Search**  
USPC ..... D24/180-182, 176, 152; 433/34, 36, 37,  
433/47-48, 213-214  
CPC ..... A61C 9/00; A61C 9/0006  
See application file for complete search history.

(56) **References Cited**

**U.S. PATENT DOCUMENTS**

1,489,192 A \* 4/1924 Cleveland ..... A61C 9/0006  
433/45  
4,368,040 A \* 1/1983 Weissman ..... A61C 9/0006  
433/223

D328,494 S \* 8/1992 Schwendeman ..... D24/176  
5,336,086 A \* 8/1994 Simmen ..... A61C 9/0006  
433/37  
D372,096 S \* 7/1996 Frush ..... D24/181  
D383,845 S \* 9/1997 Mitchell ..... D24/181  
6,749,428 B2 \* 6/2004 DiMarino ..... A61C 9/0006  
433/37  
D632,395 S \* 2/2011 Massad ..... D24/181  
8,784,100 B2 \* 7/2014 Marumori ..... A61C 9/0006  
433/37  
2018/0206947 A1 \* 7/2018 Pierson ..... A61C 9/0006

\* cited by examiner

*Primary Examiner* — Wan Laymon

(74) *Attorney, Agent, or Firm* — Dentsply Sirona Inc.

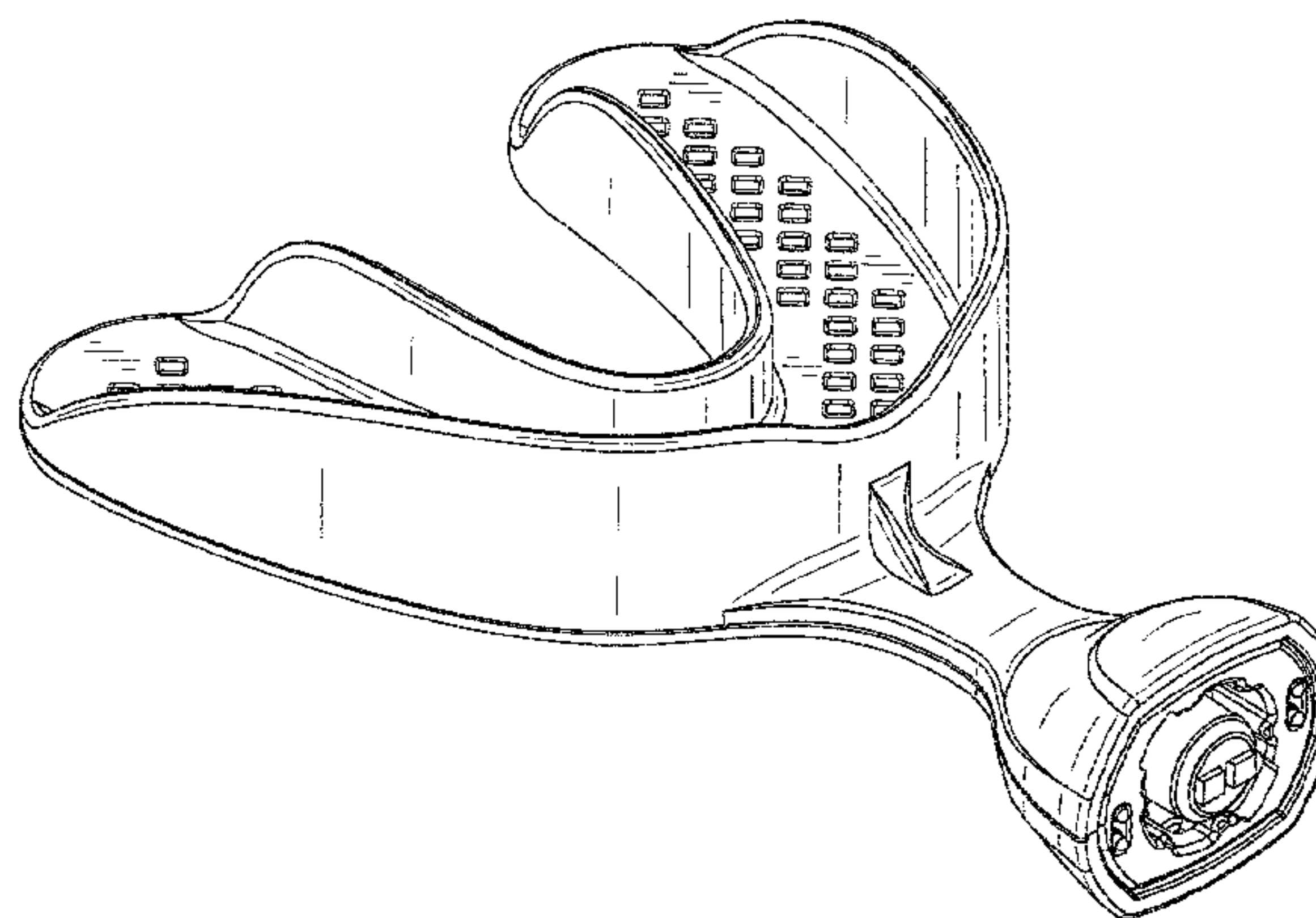
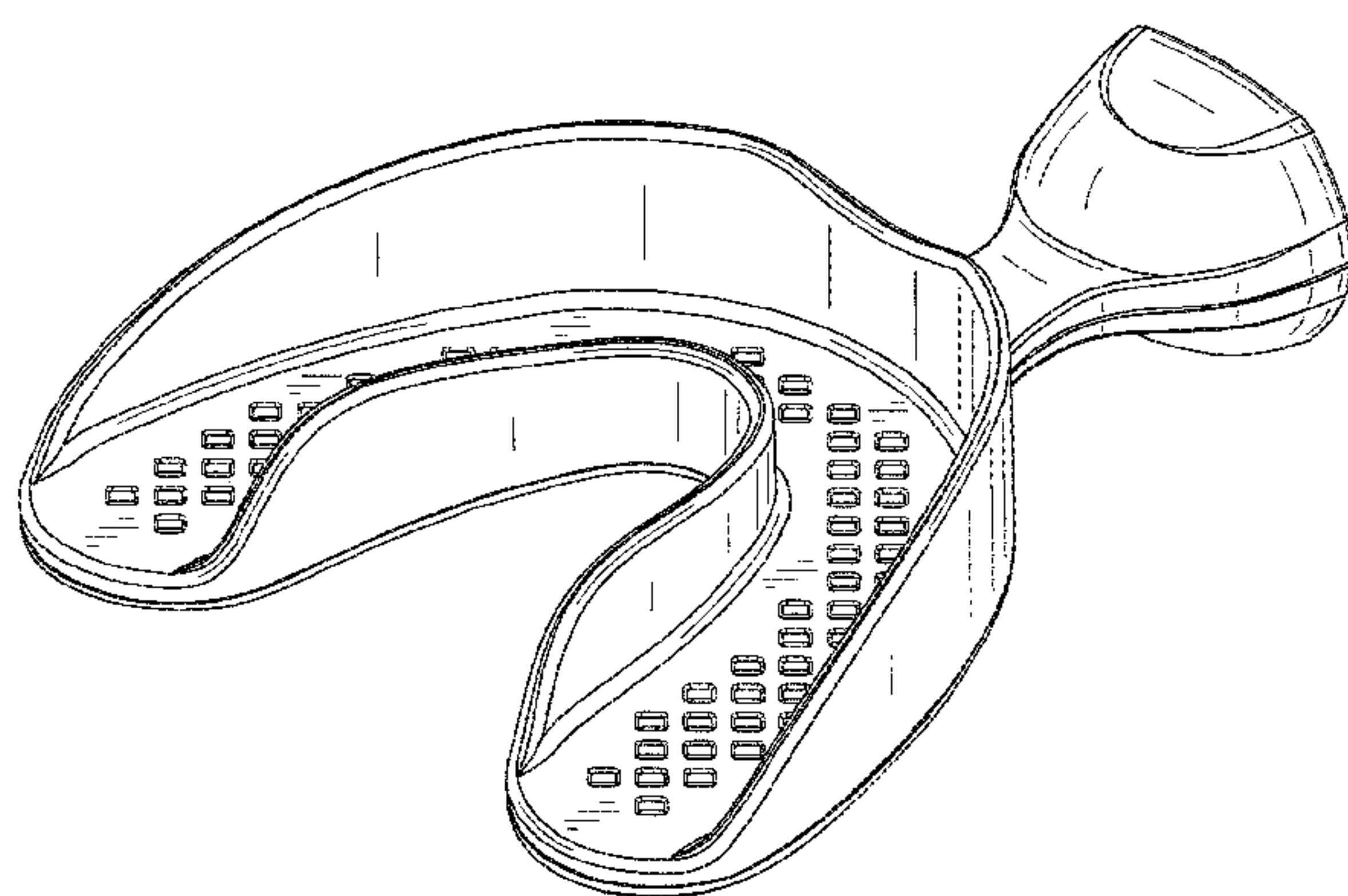
(57) **CLAIM**

The ornamental design for an impression material tray, as shown and described.

**DESCRIPTION**

FIG. 1 is a first isometric view of an impression material tray showing our new design;  
FIG. 2 is a second isometric view thereof;  
FIG. 3 is a front view thereof;  
FIG. 4 is a rear view thereof;  
FIG. 5 is a first side view thereof;  
FIG. 6 is a second side view thereof;  
FIG. 7 is a top view thereof; and,  
FIG. 8 is a bottom view thereof.

**1 Claim, 4 Drawing Sheets**



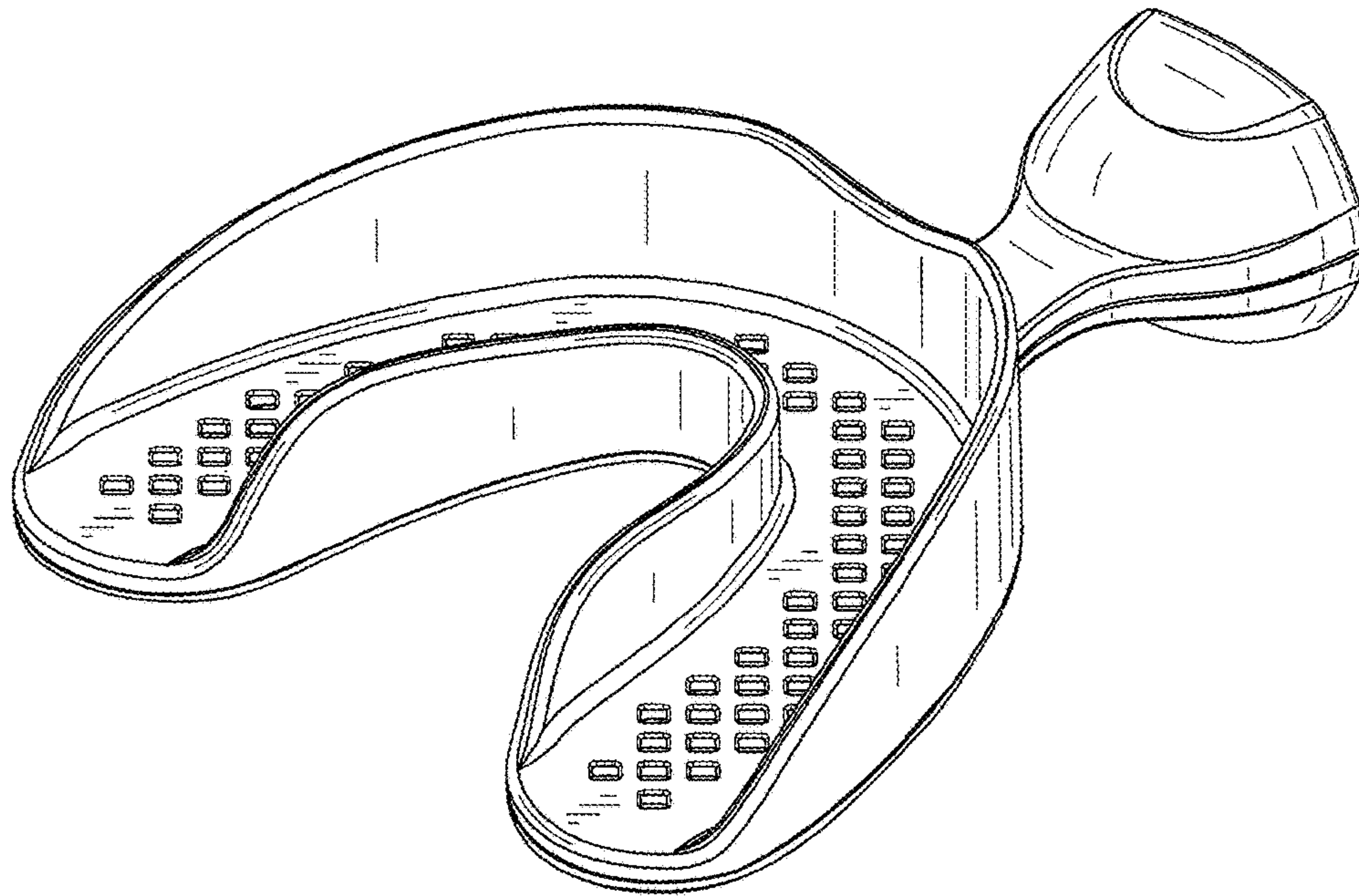


FIG. 1

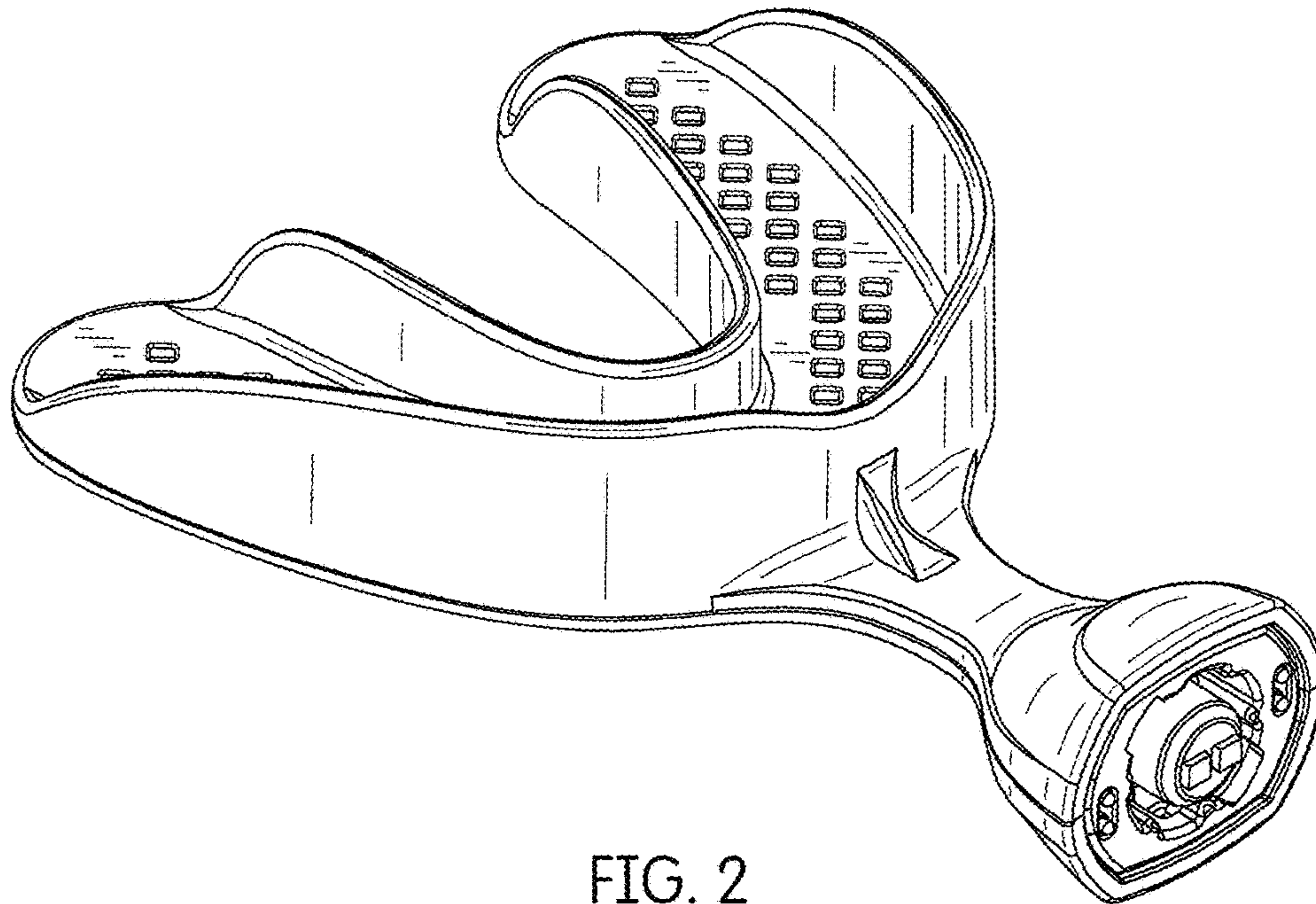


FIG. 2

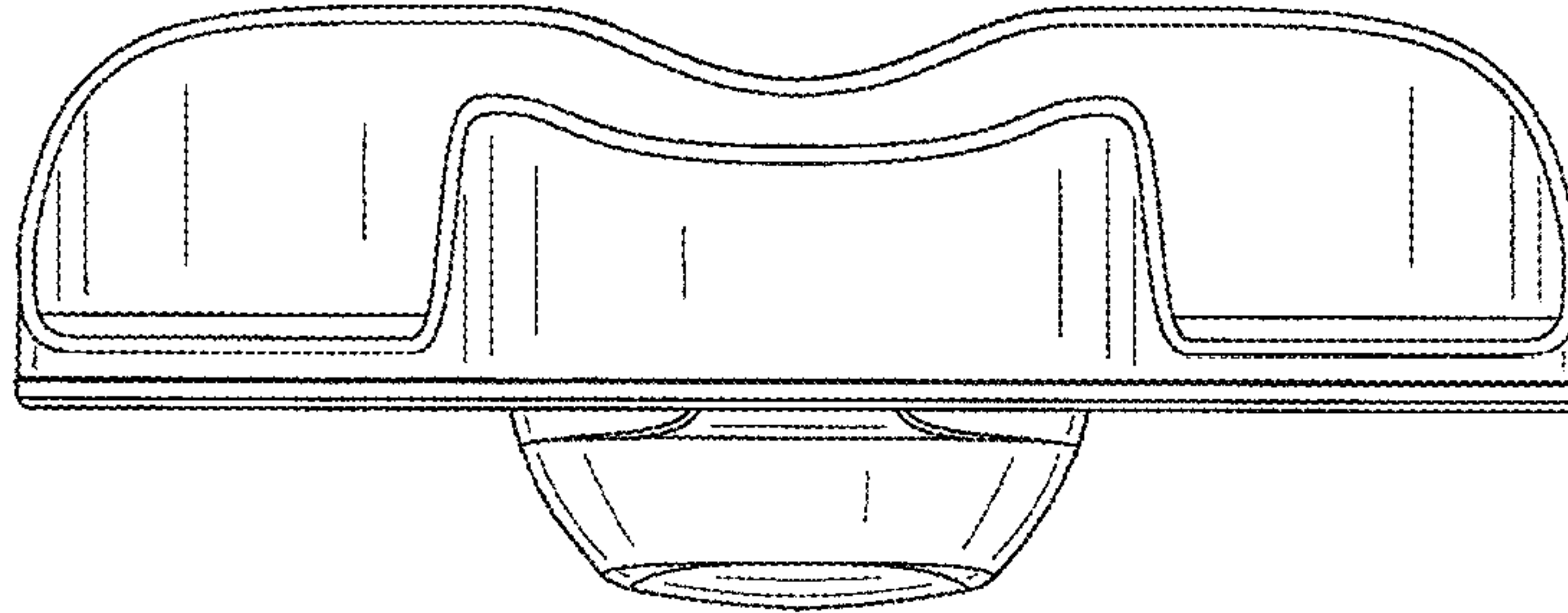


FIG. 3

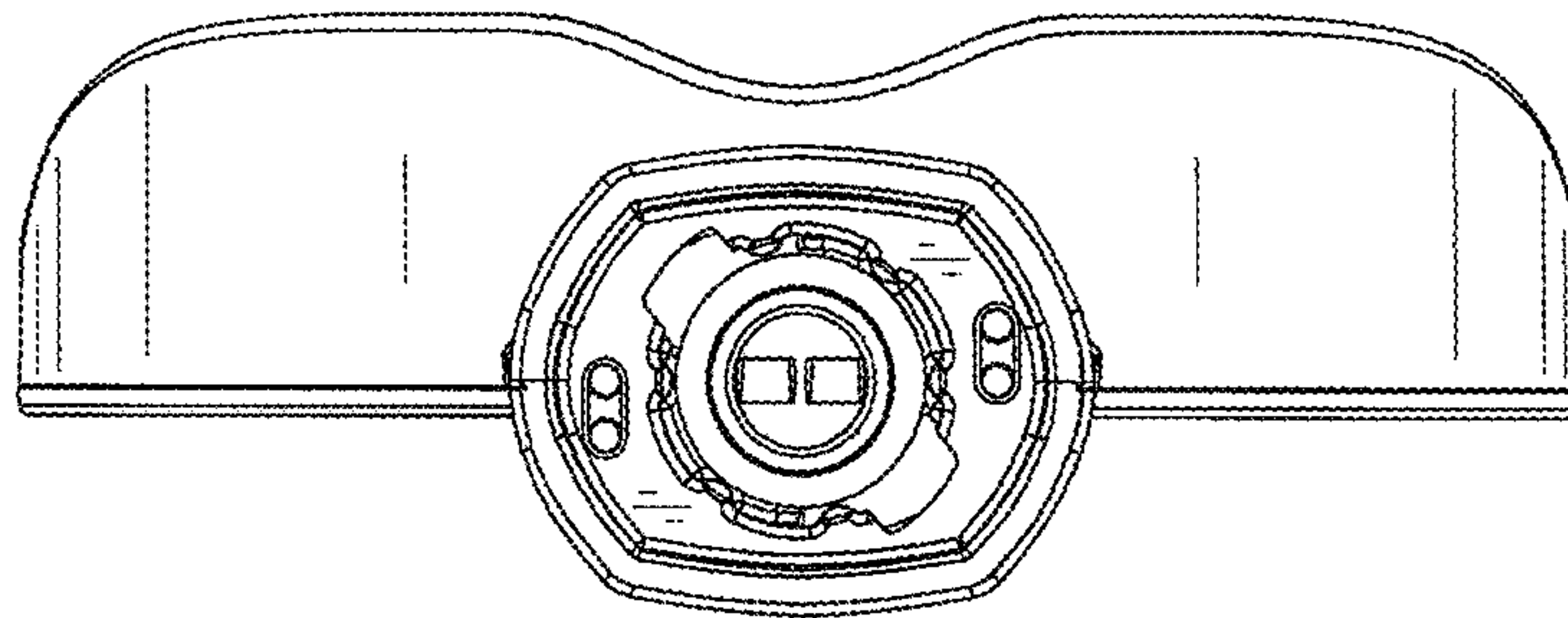


FIG. 4

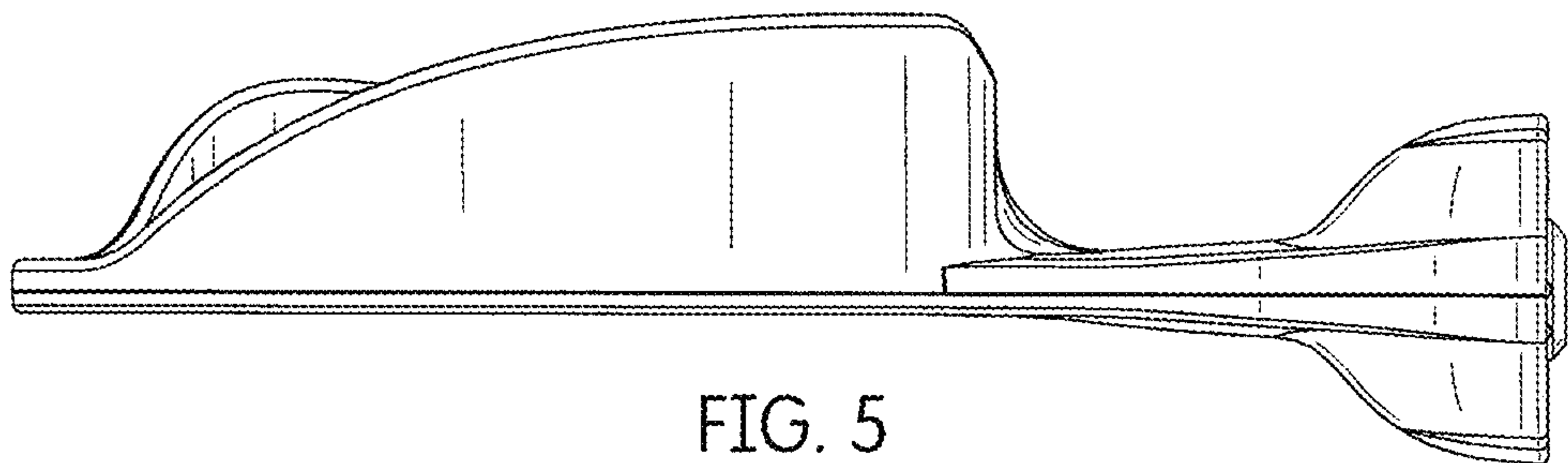


FIG. 5

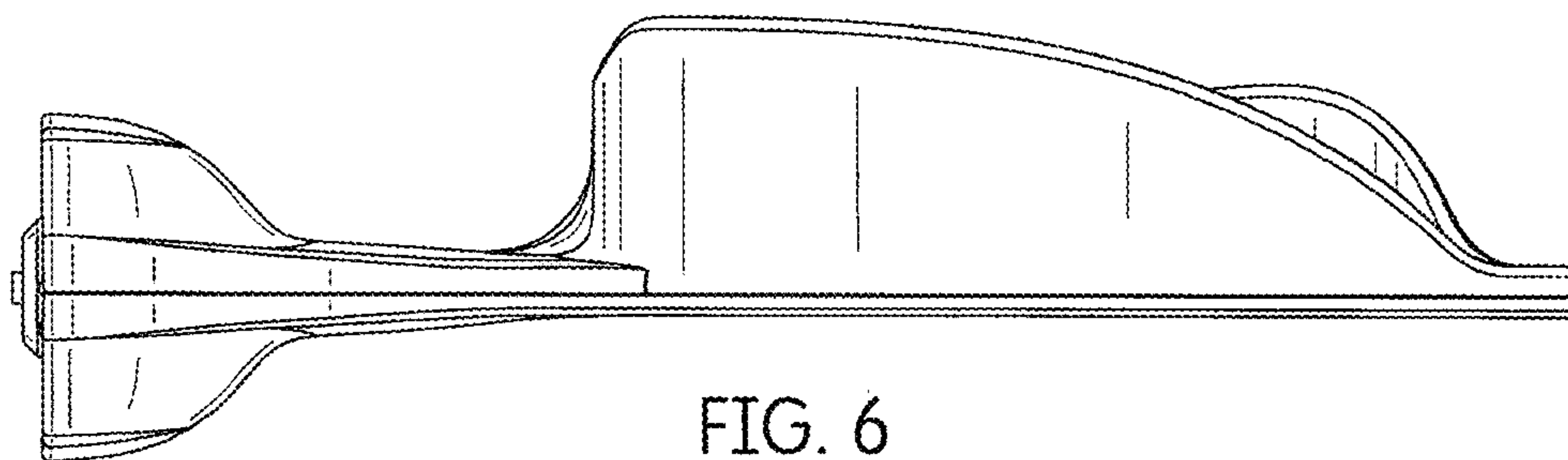


FIG. 6



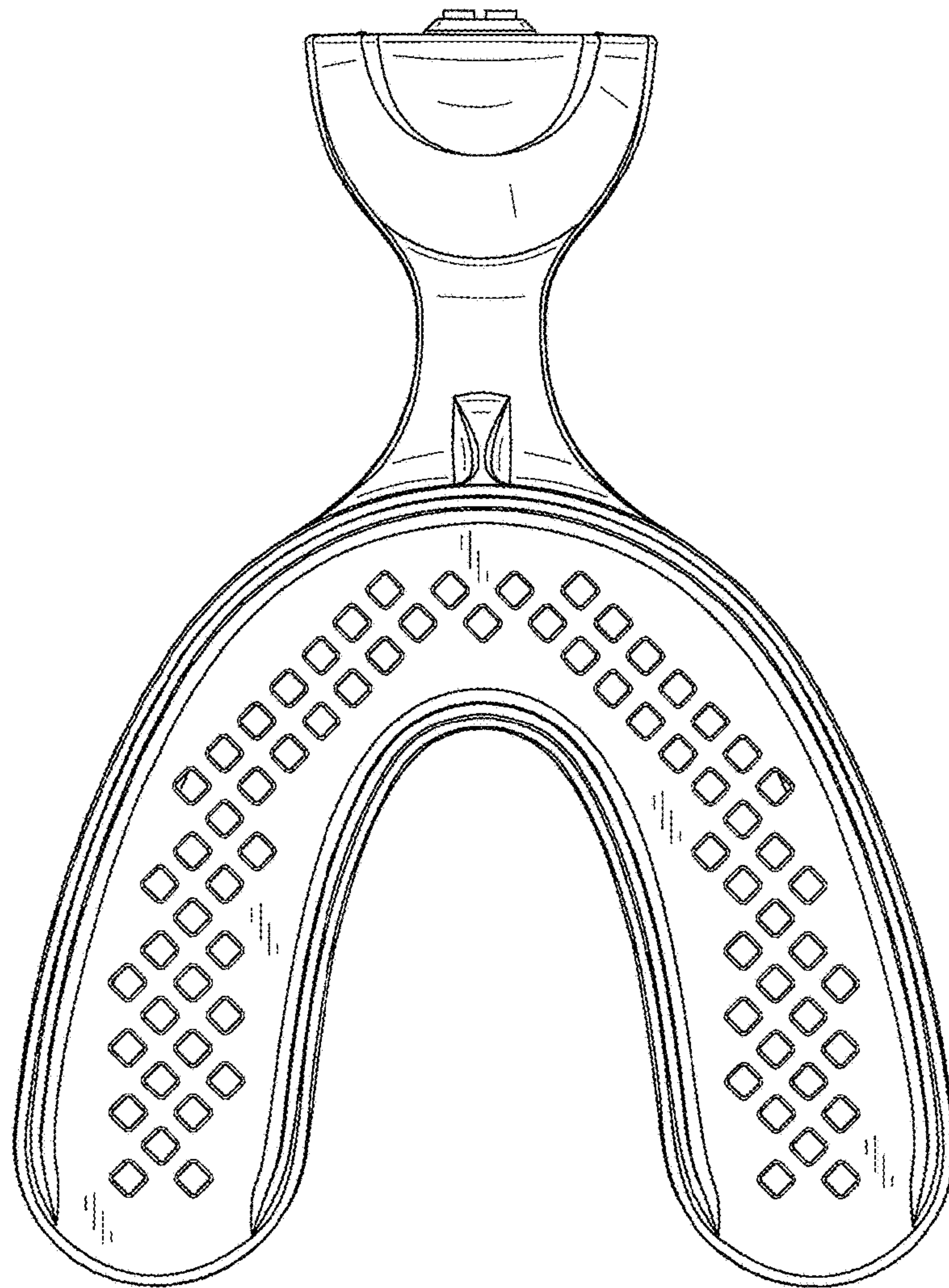


FIG. 7

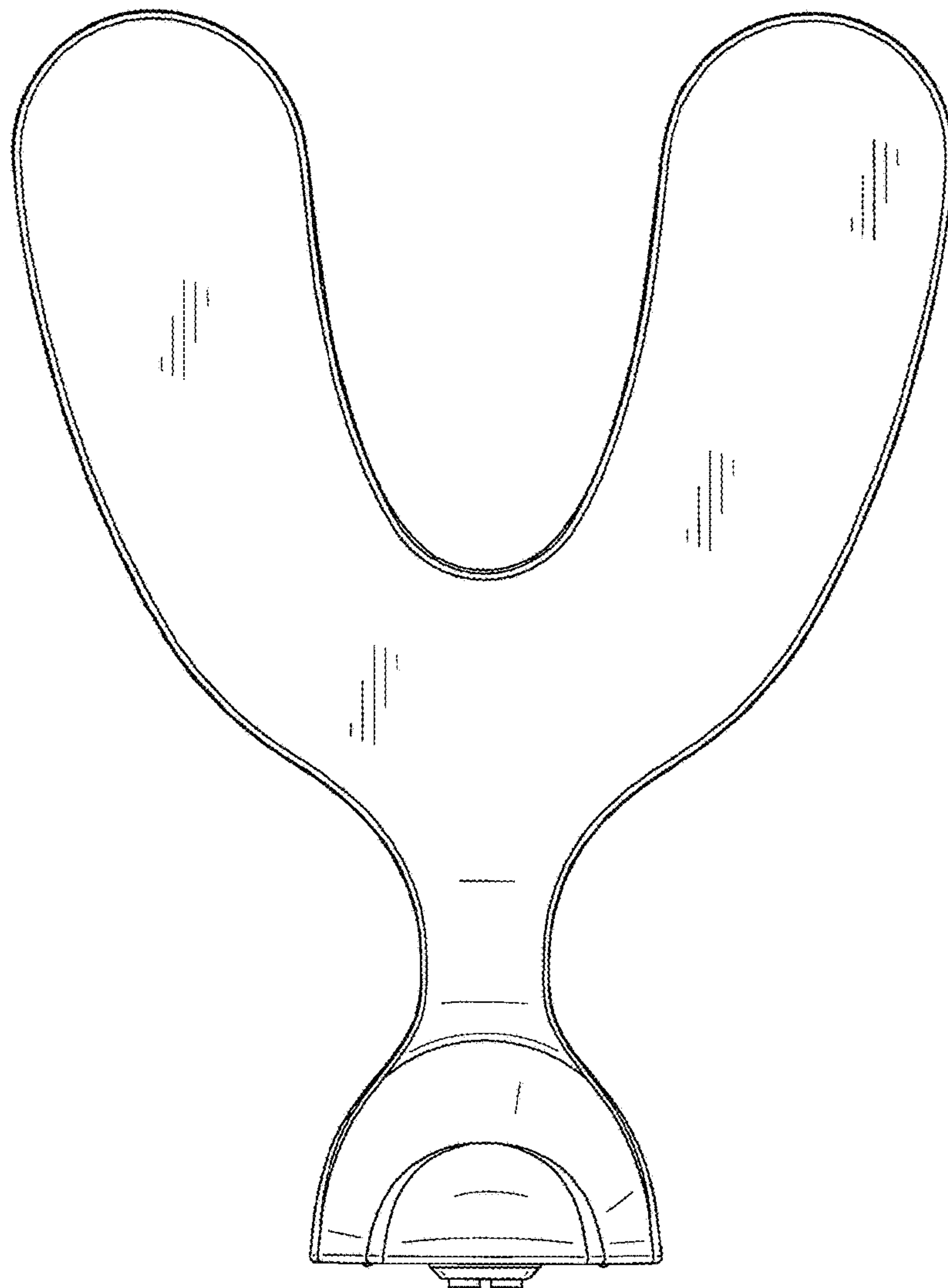


FIG. 8