



US00D845488S

(12) **United States Design Patent**
Cahen

(10) **Patent No.:** **US D845,488 S**

(45) **Date of Patent:** **** Apr. 9, 2019**

(54) **DENTAL CART**

(71) Applicant: **FERTON HOLDING S.A.**, Delemont (CH)

(72) Inventor: **Antoine Cahen**, Lausanne (CH)

(73) Assignee: **FERTON HOLDING S.A.**, Delemont (CH)

(**) Term: **15 Years**

(21) Appl. No.: **29/618,078**

(22) Filed: **Sep. 19, 2017**

(30) **Foreign Application Priority Data**

Mar. 20, 2017 (EM) 003812072-0001

Mar. 20, 2017 (EM) 003812072-0002

(51) **LOC (11) Cl.** **24-02**

(52) **U.S. Cl.**
USPC **D24/177**

(58) **Field of Classification Search**
USPC D24/176-177, 179, 185-186; D34/20;
433/77

CPC A61G 15/14; A61G 15/16; A61C 1/0053;
A61C 1/0084; A61B 50/13

See application file for complete search history.

(56) **References Cited**

U.S. PATENT DOCUMENTS

D218,166 S * 7/1970 Slouka D24/177

D555,792 S * 11/2007 Haymann D24/177

D627,070 S * 11/2010 Staufenberg D24/177

D726,324 S * 4/2015 Duncan D24/177

9,730,773 B2 * 8/2017 Uchitel A61C 1/0084

D812,231 S * 3/2018 Duncan D24/177

* cited by examiner

Primary Examiner — Wan Laymon

(74) *Attorney, Agent, or Firm* — Arent Fox LLP

(57) **CLAIM**

The ornamental design for a dental cart, as shown and described.

DESCRIPTION

FIG. 1 is a front left perspective view of a dental cart showing my new design;

FIG. 2 is a front right perspective view of the design shown in FIG. 1;

FIG. 3 is a rear right perspective view of the design shown in FIG. 1;

FIG. 4 is a front view of the design shown in FIG. 1;

FIG. 5 is a rear view of the design shown in FIG. 1;

FIG. 6 is a left side view of the design shown in FIG. 1;

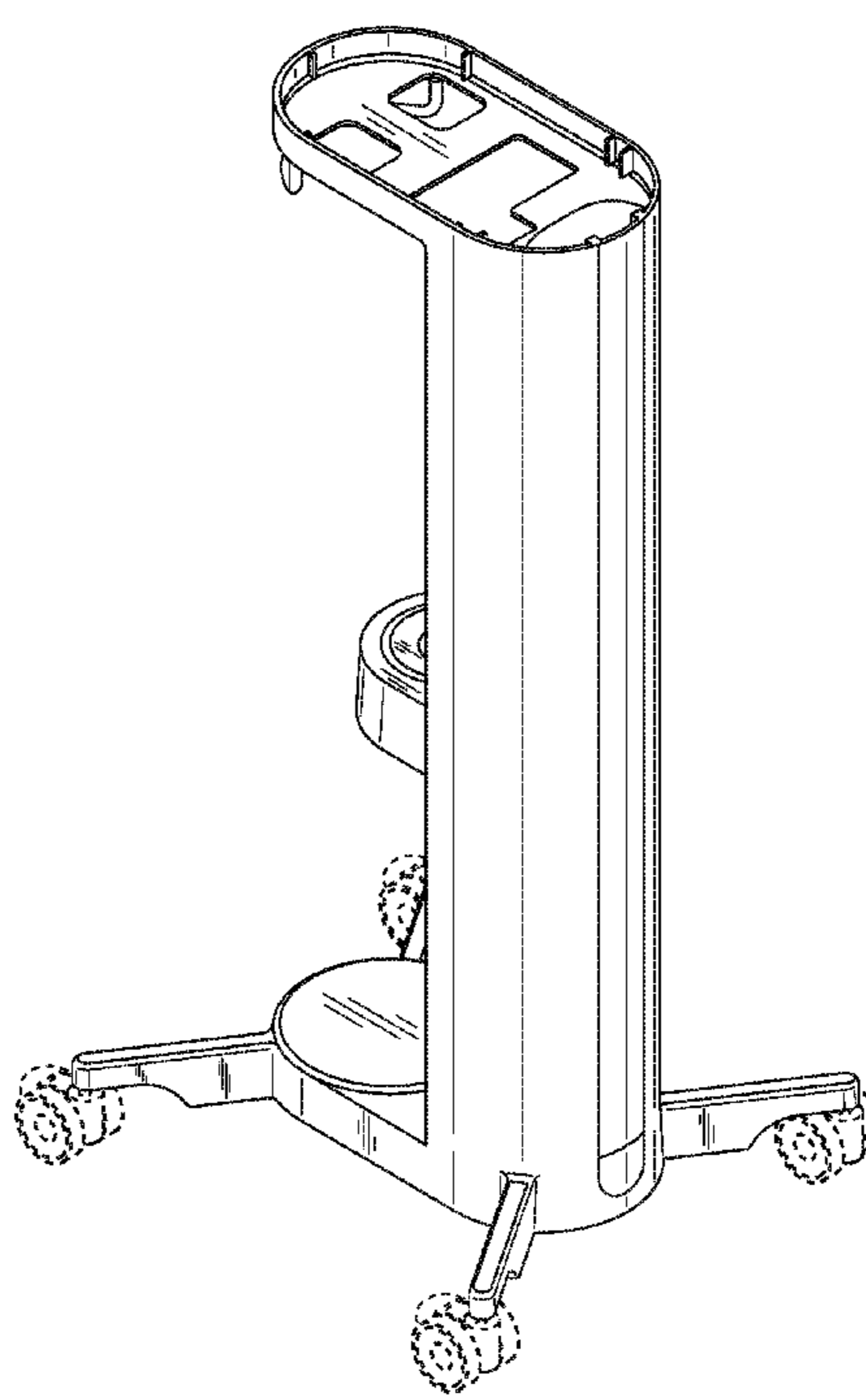
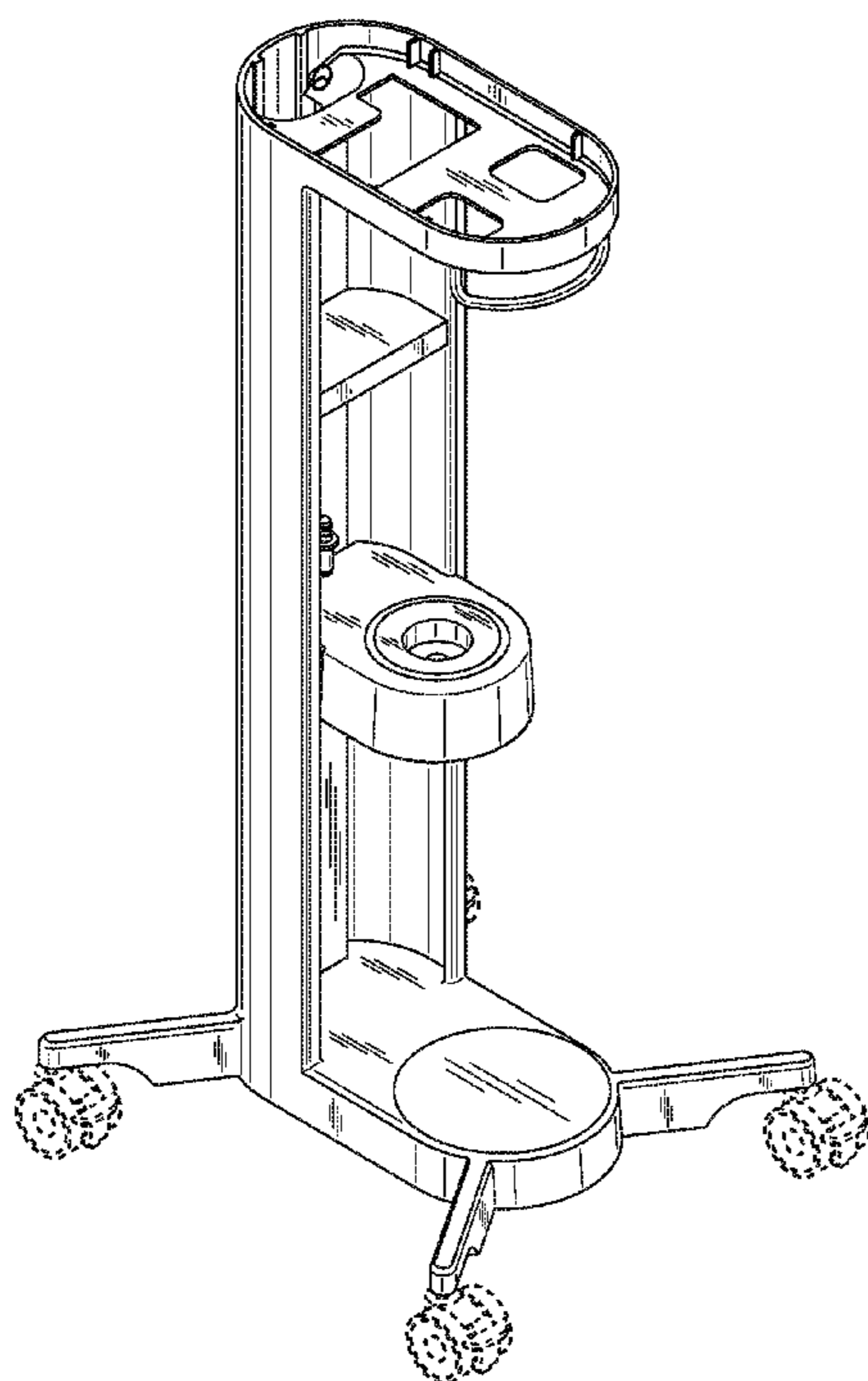
FIG. 7 is a right side view of the design shown in FIG. 1;

FIG. 8 is a top view of the design shown in FIG. 1; and,

FIG. 9 is a bottom view of the design shown in FIG. 1.

The broken lines in the Figures illustrate portions of the dental cart that form no part of the claimed design.

1 Claim, 9 Drawing Sheets



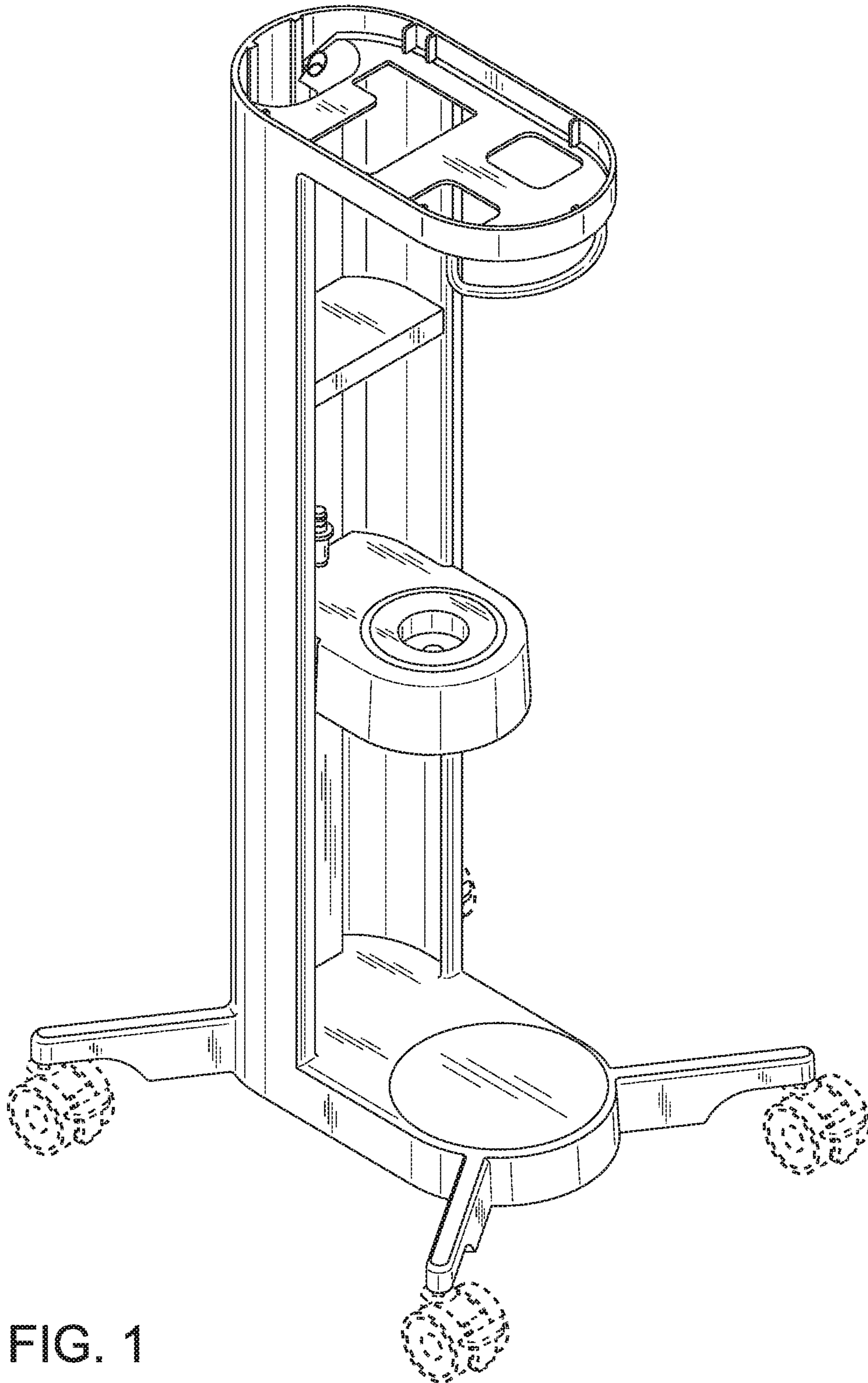


FIG. 1

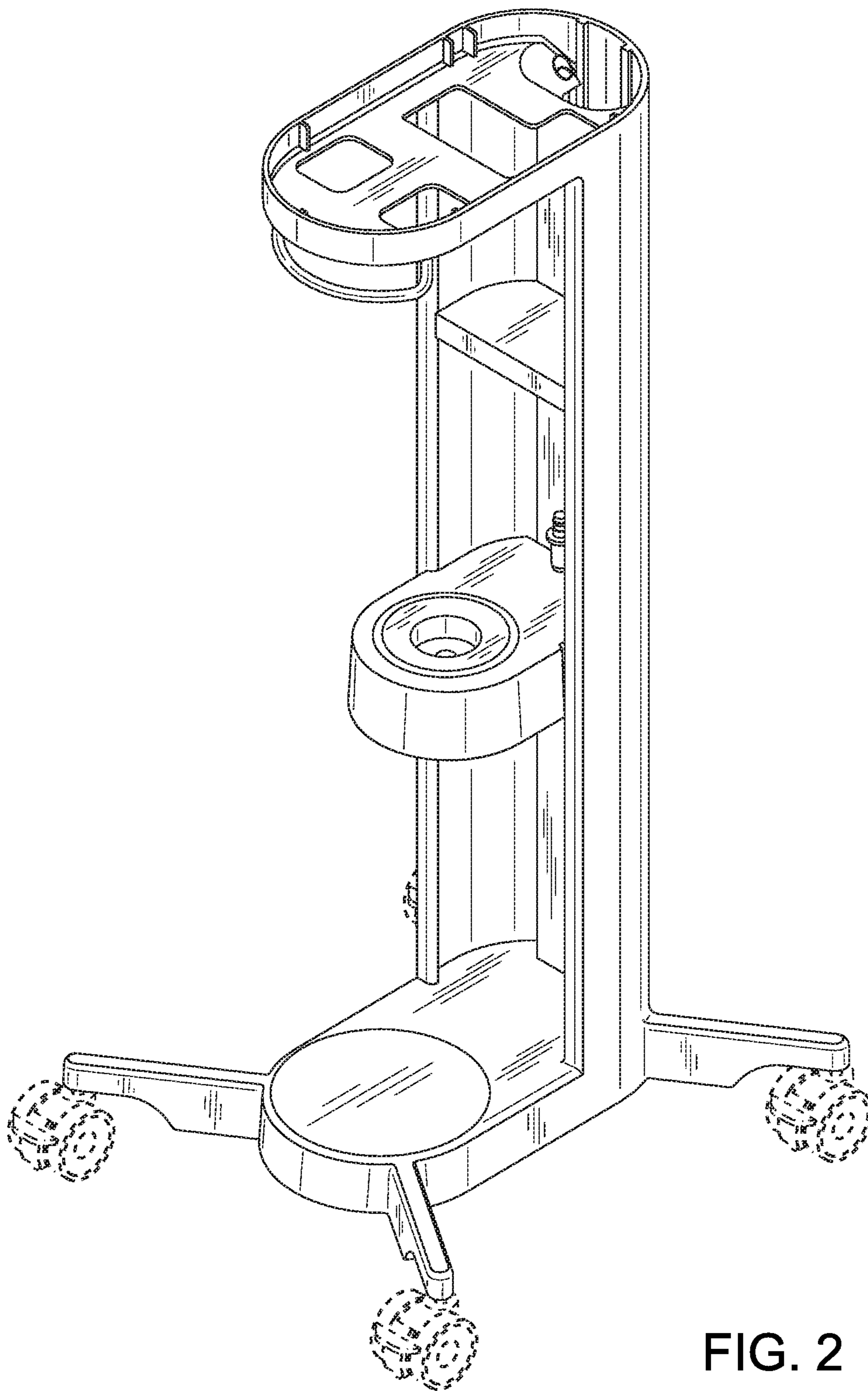


FIG. 2

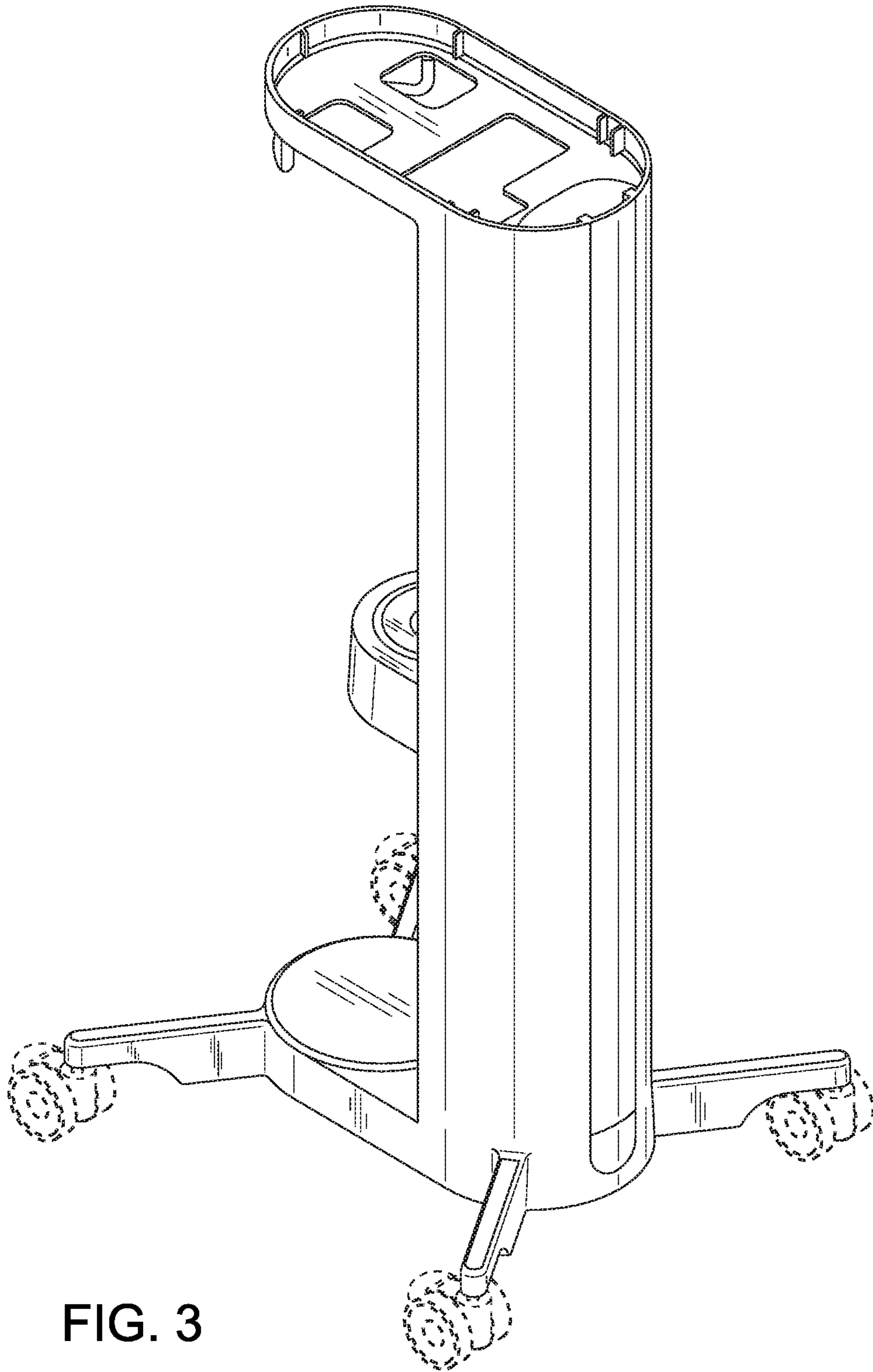


FIG. 3

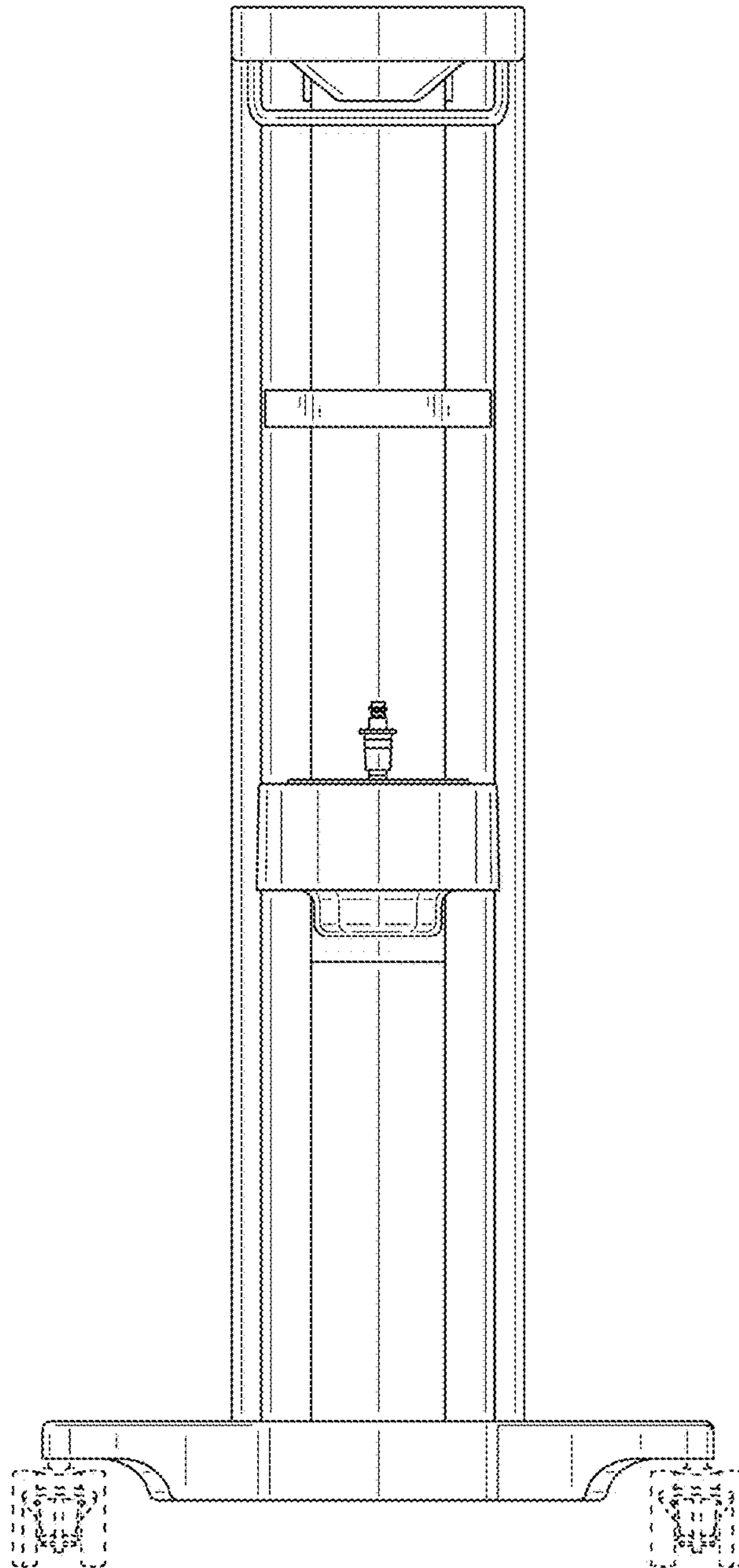


FIG. 4

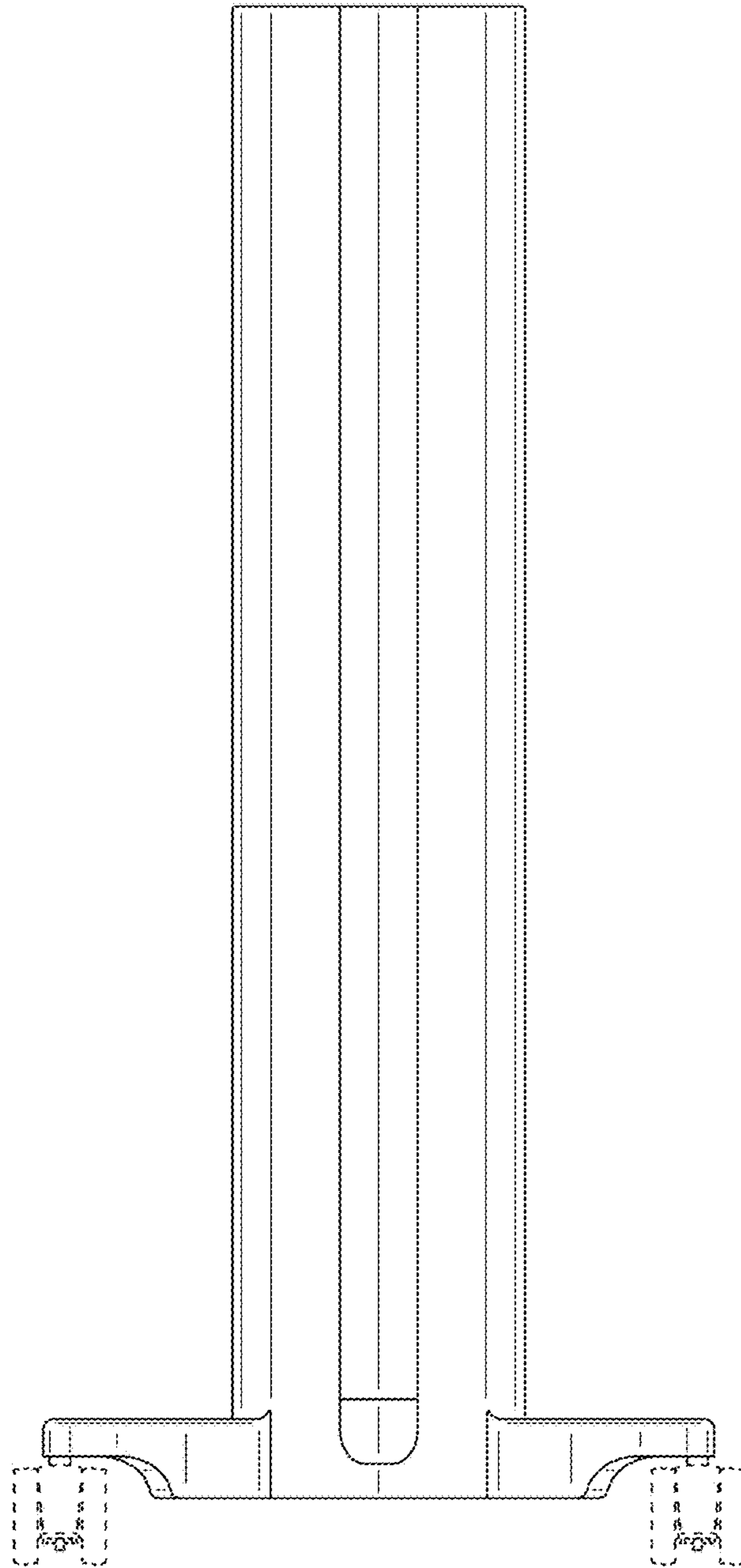


FIG. 5

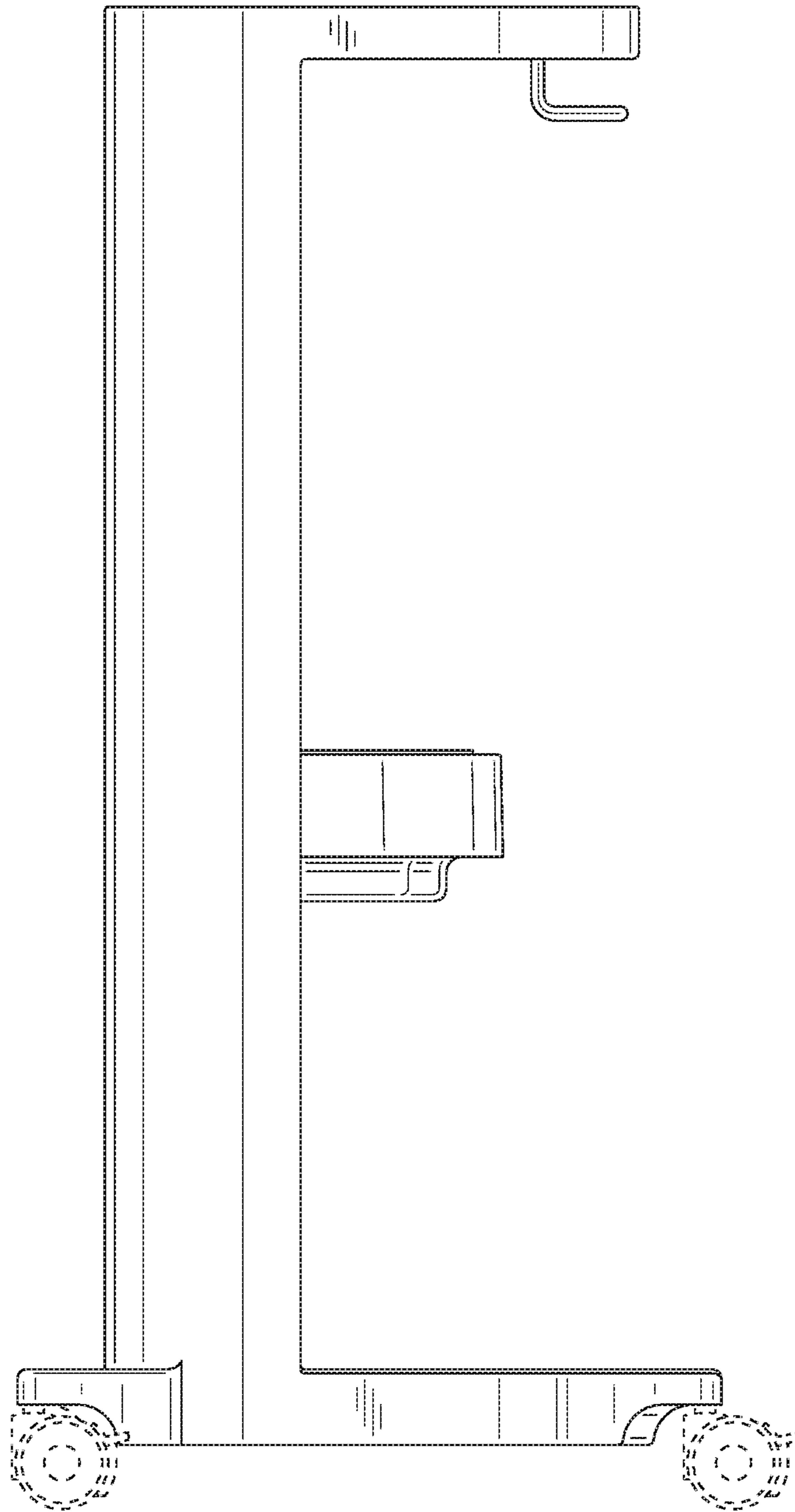


FIG. 6

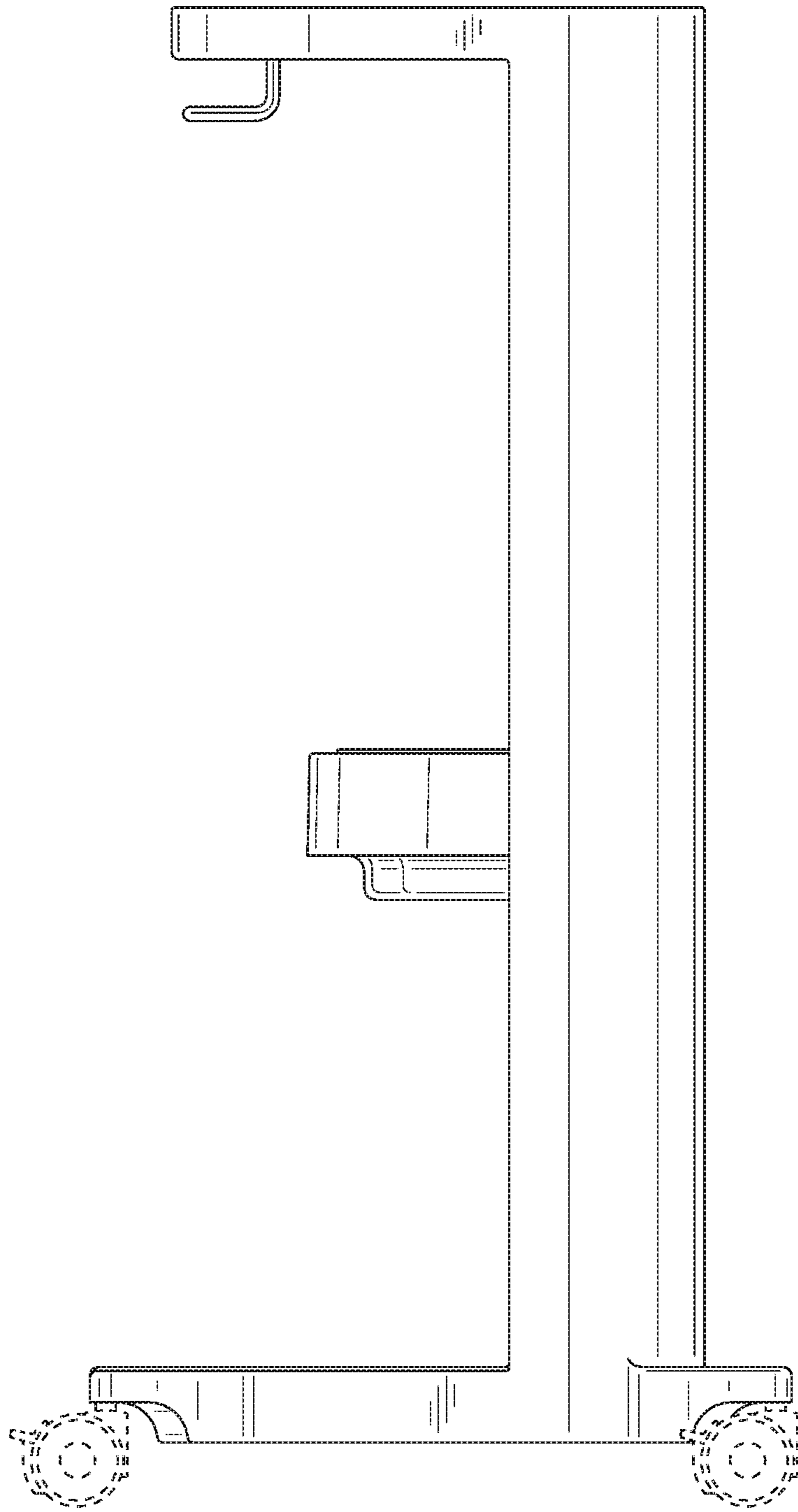


FIG. 7

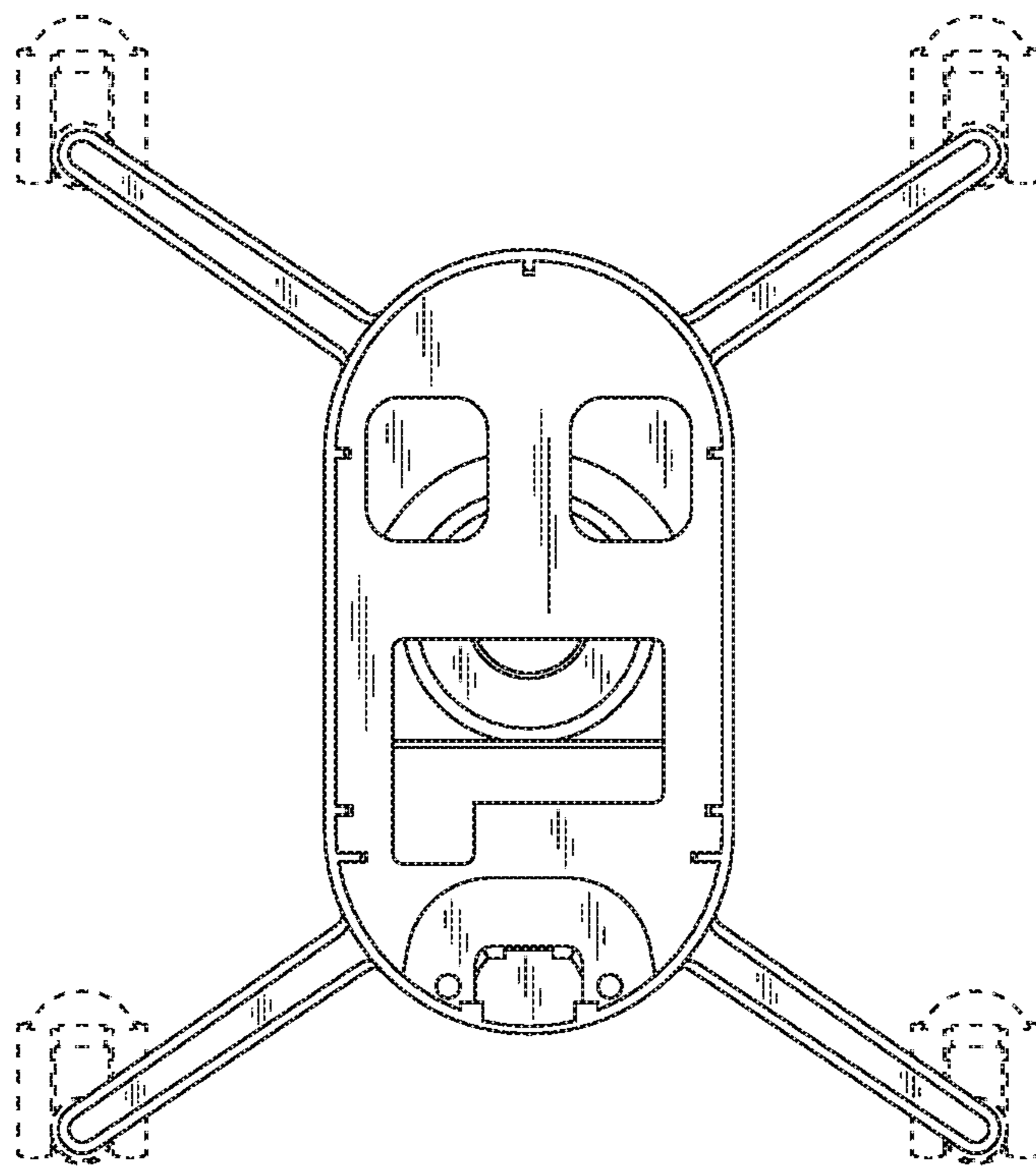


FIG. 8

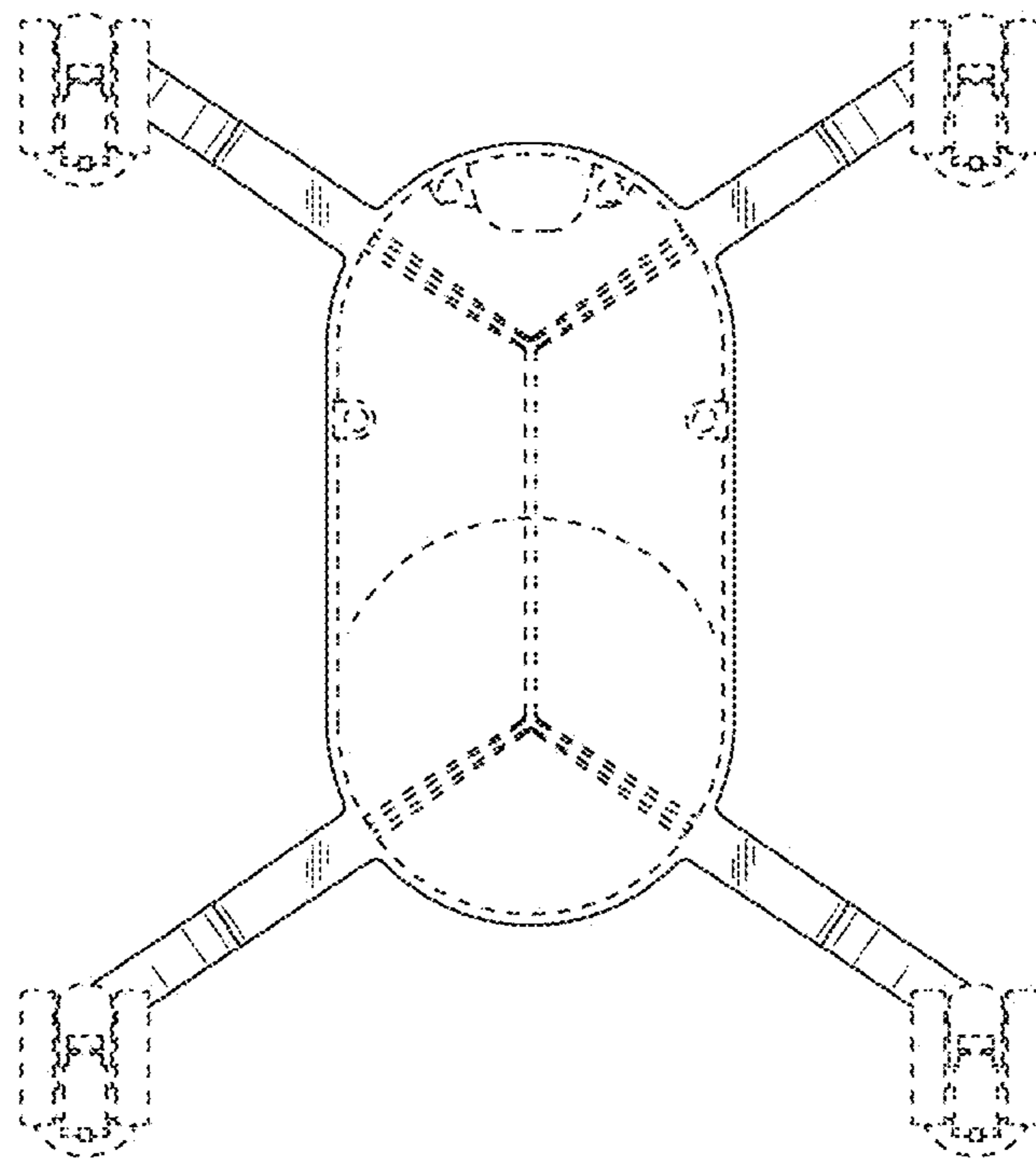


FIG. 9