



US00D845487S

(12) **United States Design Patent**  
**Zheng**

(10) **Patent No.:** **US D845,487 S**

(45) **Date of Patent:** **\*\* Apr. 9, 2019**

(54) **HEARING AID**

(71) Applicant: **Weifeng Zheng**, Shenzhen (CN)

(72) Inventor: **Weifeng Zheng**, Shenzhen (CN)

(\*\*) Term: **15 Years**

(21) Appl. No.: **29/635,895**

(22) Filed: **Feb. 5, 2018**

(51) **LOC (11) Cl.** ..... **24-99**

(52) **U.S. Cl.**  
USPC ..... **D24/174; D24/186**

(58) **Field of Classification Search**  
USPC ..... D24/173-175; D14/205, 223-226, 249  
CPC .. H04R 2225/025; H04R 25/60; H04R 25/63;  
H04R 25/67; H04R 25/602; H04R  
25/604; H04R 25/608; H04R 25/65;  
H04R 25/652

See application file for complete search history.

(56) **References Cited**

**U.S. PATENT DOCUMENTS**

6,700,983 B1 \* 3/2004 Bøgeskov-Jensen .. H04R 25/60  
381/322  
D663,846 S \* 7/2012 Ingold ..... D24/174

D705,936 S \* 5/2014 Lockenwitz ..... D24/174  
8,885,856 B2 \* 11/2014 Sacha ..... H04R 25/43  
381/312  
D734,472 S \* 7/2015 Meinertz ..... D24/174  
D776,282 S \* 1/2017 Meinertz ..... D24/174  
D825,764 S \* 8/2018 Gajstut ..... D24/174  
2013/0216077 A1 \* 8/2013 Tipsmark ..... H04R 25/556  
381/314

\* cited by examiner

*Primary Examiner* — Anhdao Doan

(74) *Attorney, Agent, or Firm* — W&K IP

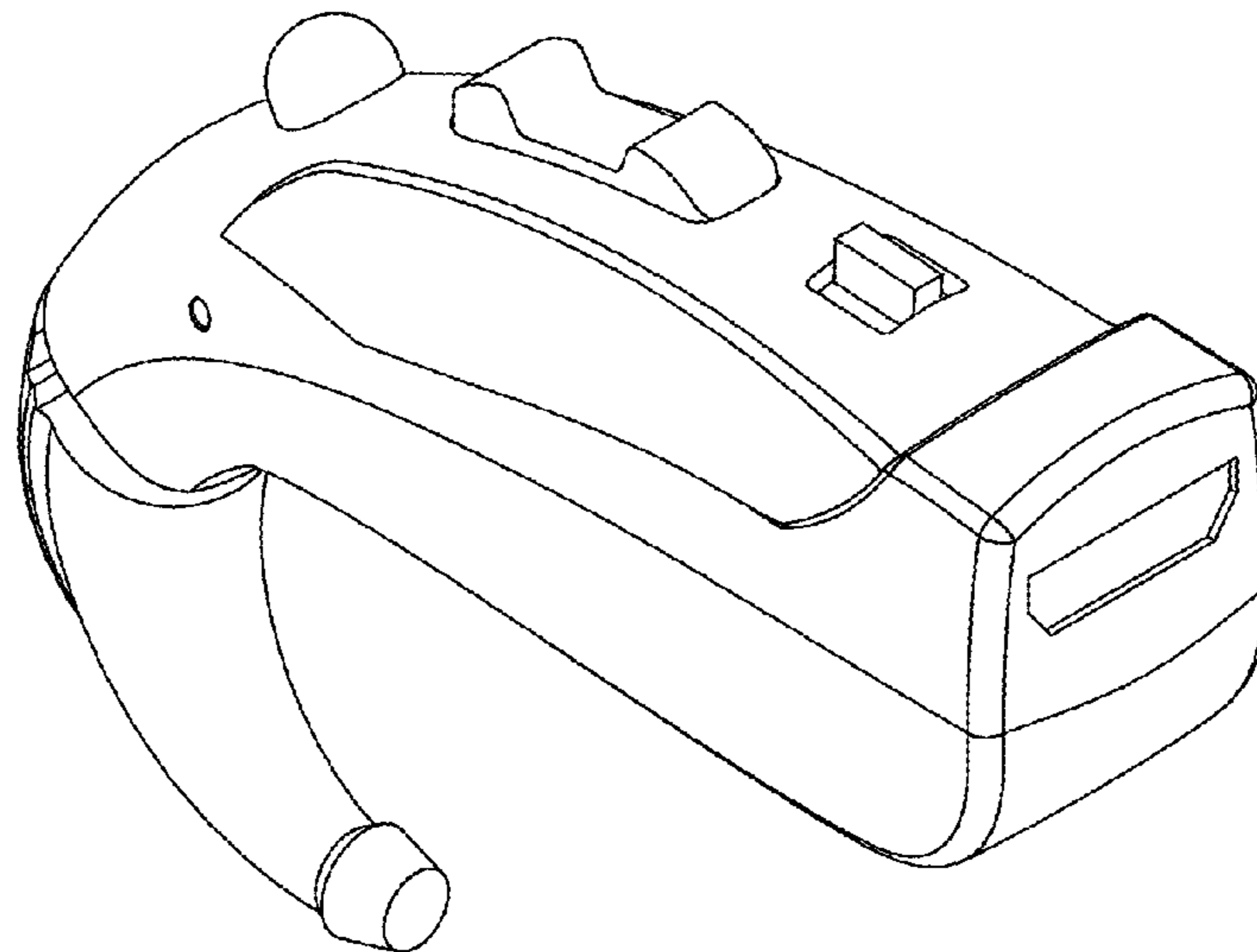
(57) **CLAIM**

The ornamental design for a hearing aid, as shown and described.

**DESCRIPTION**

FIG. 1 is a perspective view of a hearing aid.  
FIG. 2 is a front view thereof;  
FIG. 3 is a rear view thereof;  
FIG. 4 is a left view thereof;  
FIG. 5 is a right view thereof;  
FIG. 6 is a top view thereof; and,  
FIG. 7 is a bottom view thereof.

**1 Claim, 7 Drawing Sheets**



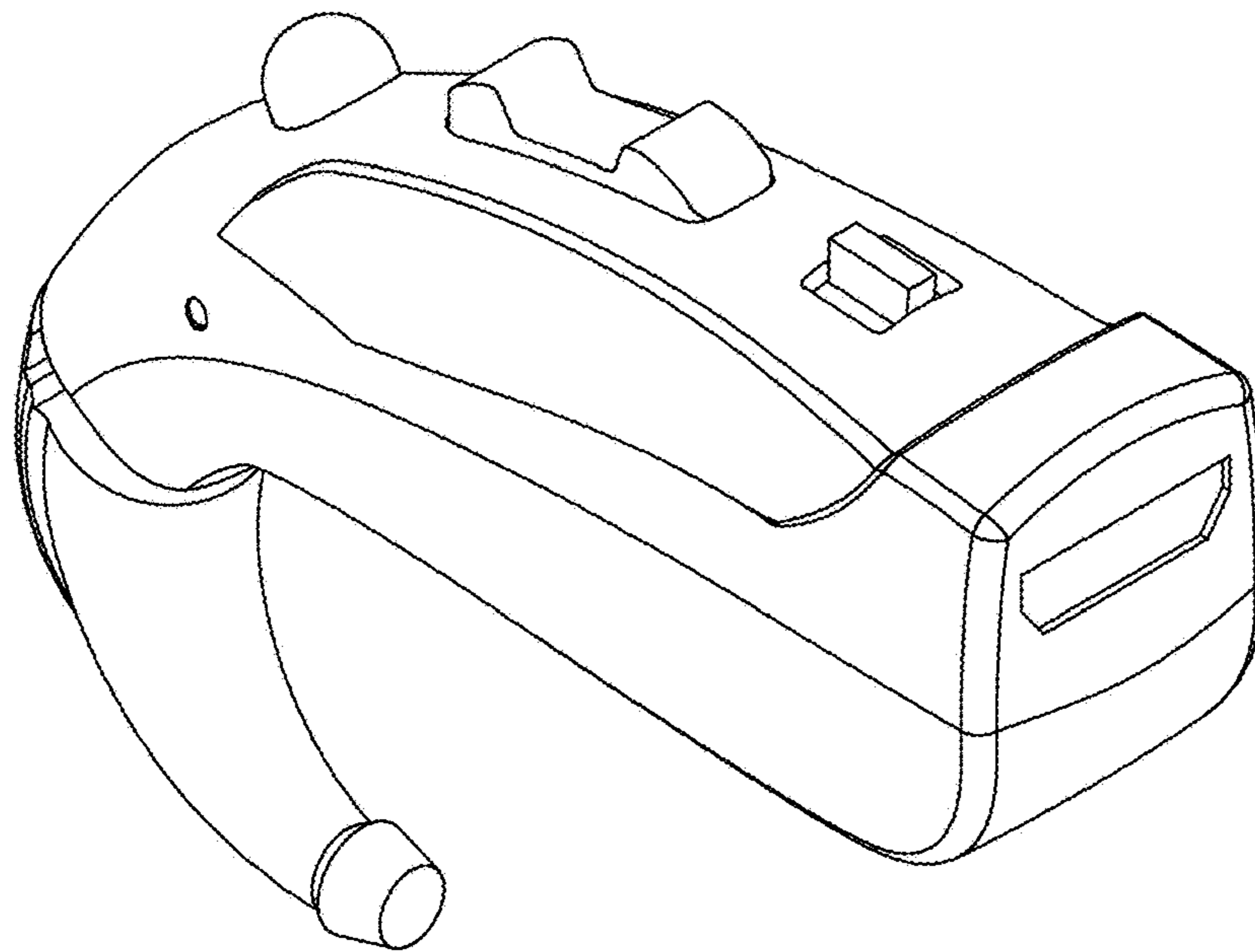


FIG. 1

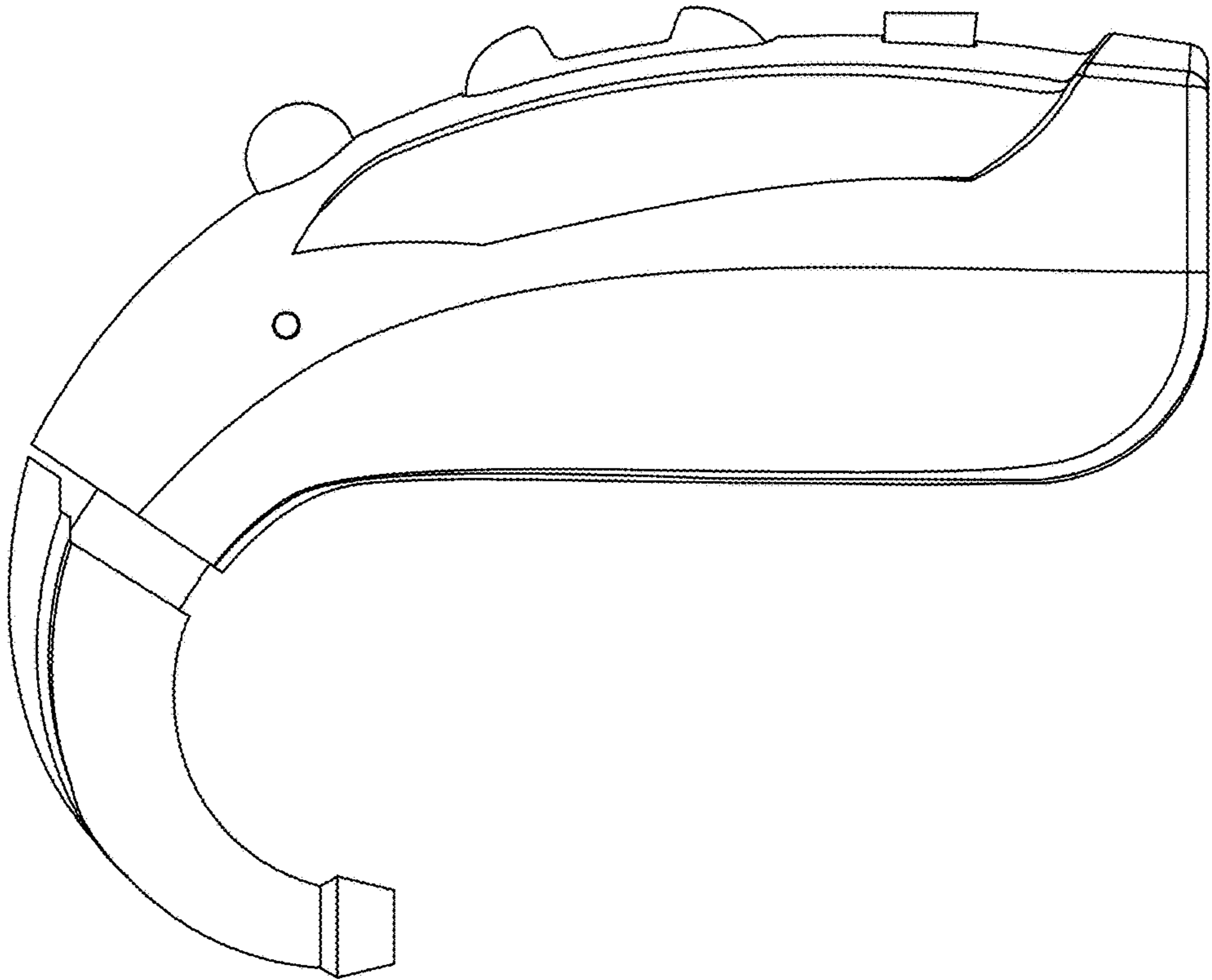


FIG.2

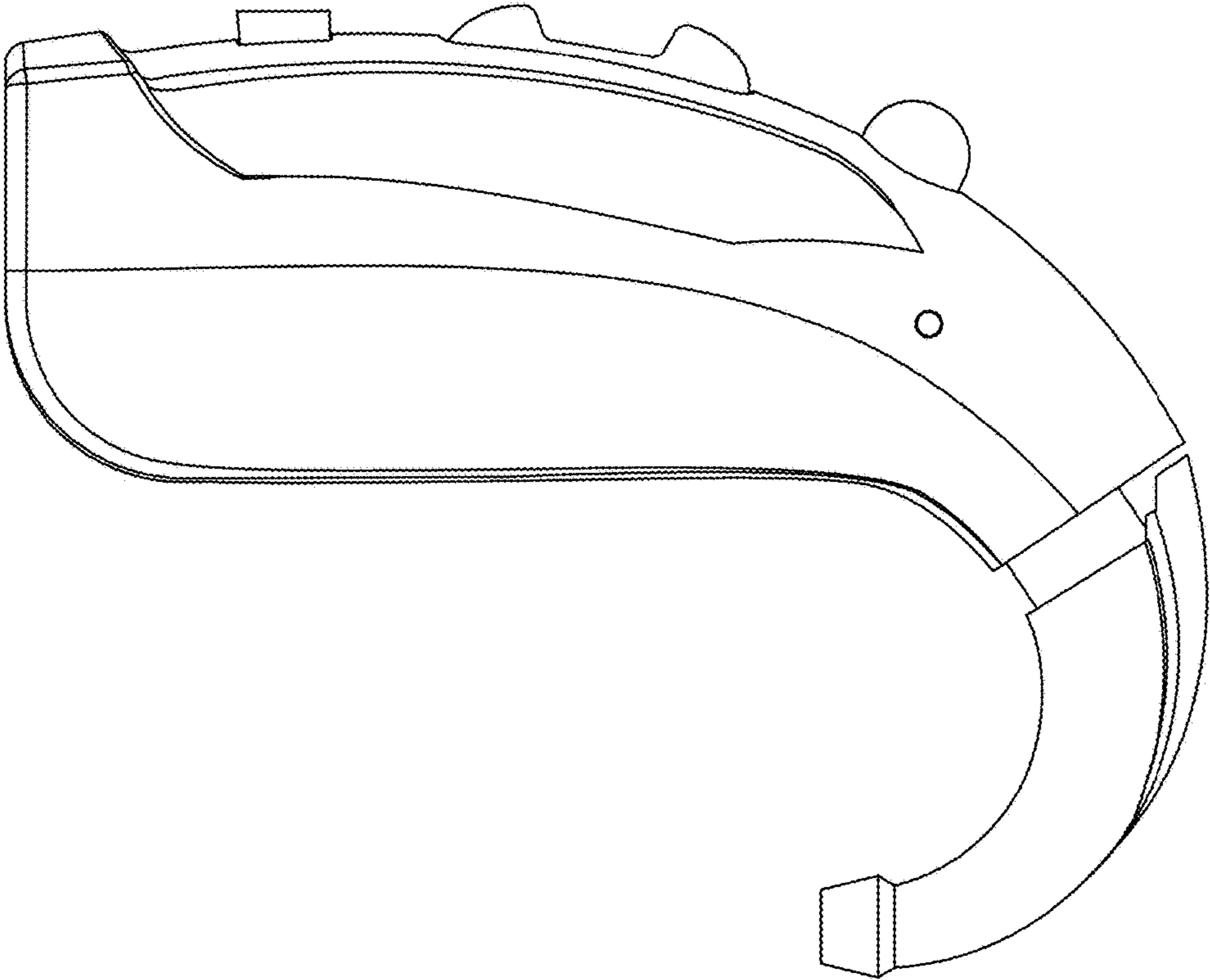


FIG.3

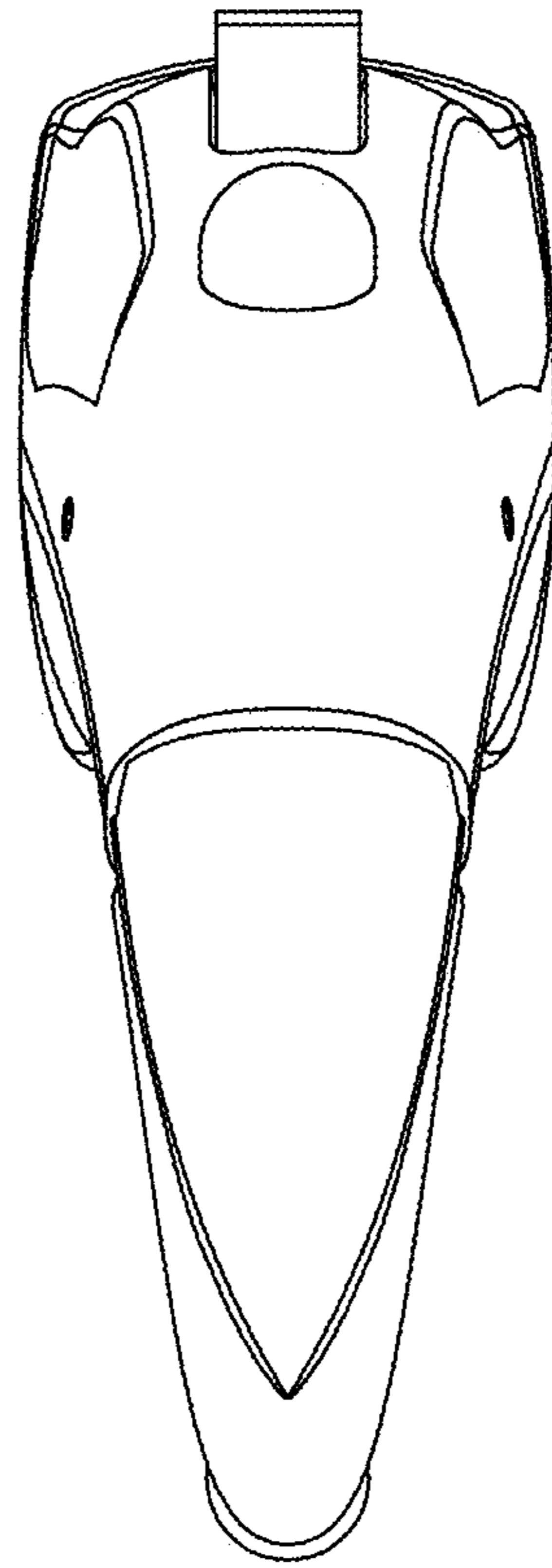


FIG.4

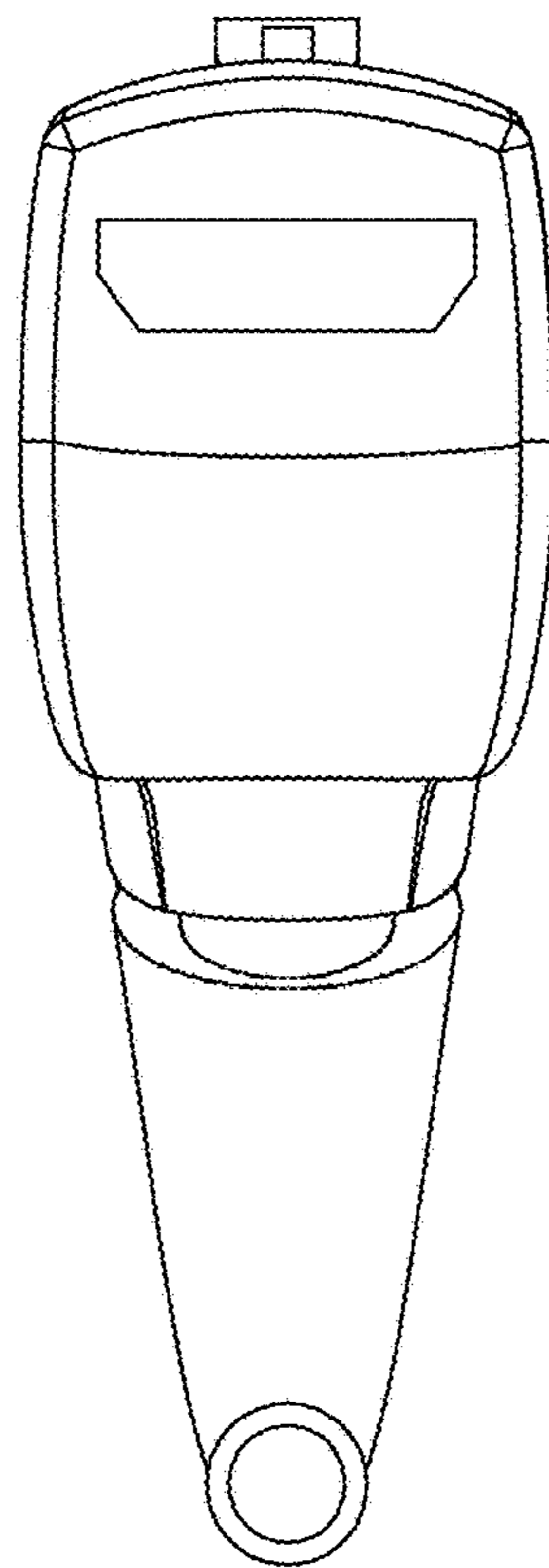


FIG. 5

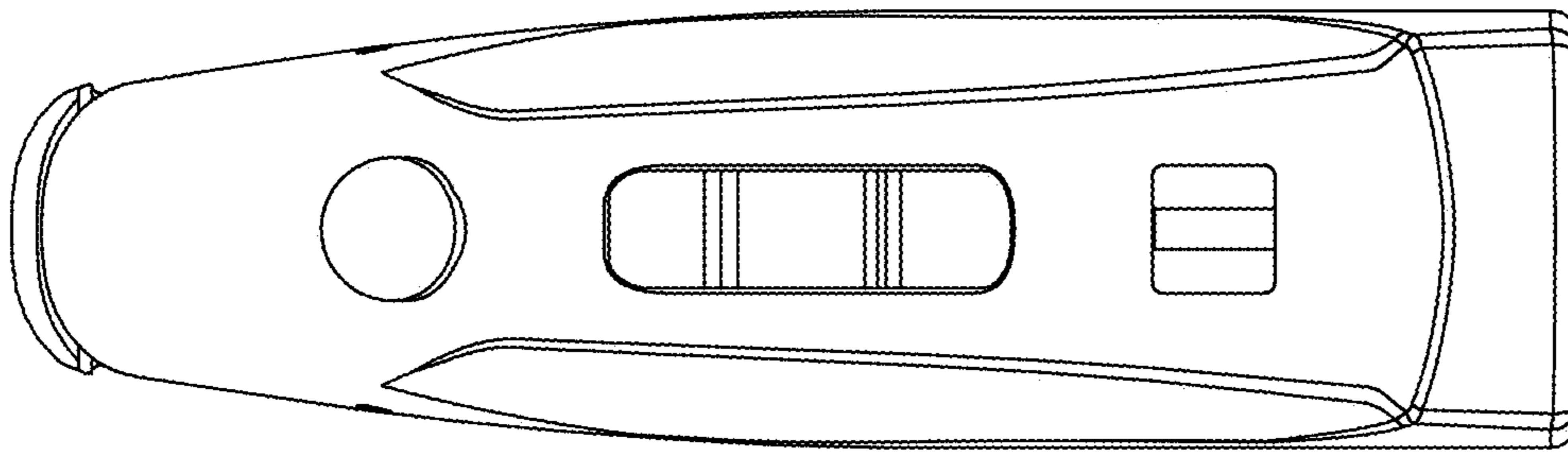


FIG.6

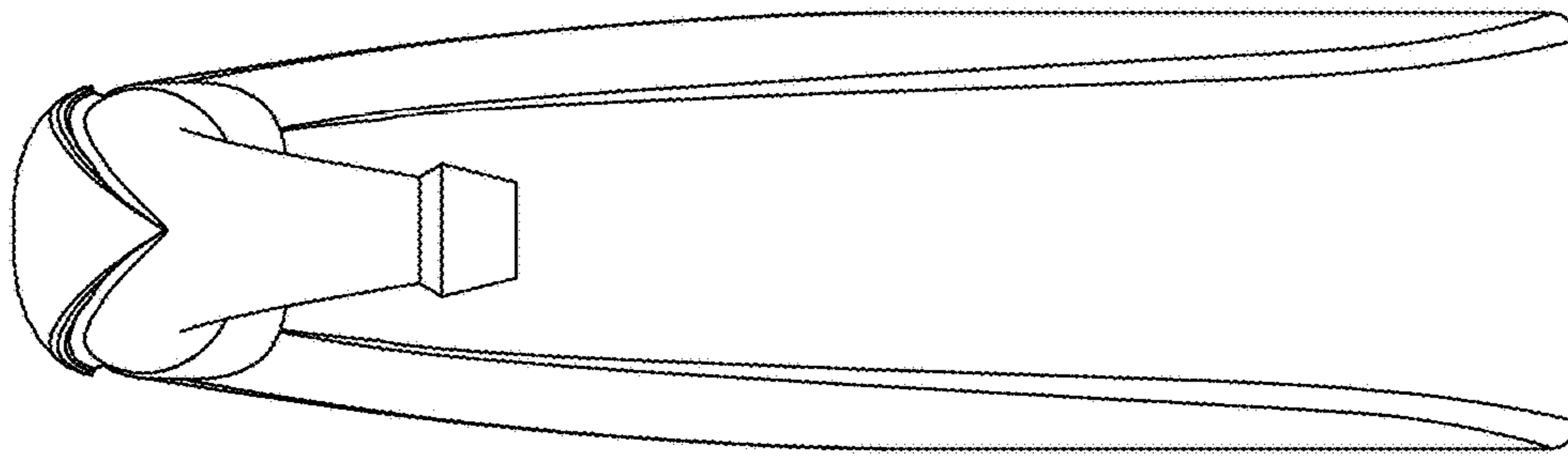


FIG.7