



US00D845486S

(12) **United States Design Patent** (10) **Patent No.:** **US D845,486 S**  
**Holland et al.** (45) **Date of Patent:** **\*\* Apr. 9, 2019**

- (54) **FILTRATING SPIKE** 4,317,445 A \* 3/1982 Robinson ..... A61M 25/0693  
604/168.01
- (71) Applicant: **Neogen Corpotion**, Lansing, MI (US) D267,270 S \* 12/1982 Mittleman ..... D24/112  
D268,698 S \* 4/1983 Knute ..... D24/112
- (72) Inventors: **James Braxton Holland**, Clinton, NC D272,850 S \* 2/1984 Kulle ..... D24/112  
(US); **James Curtis Biggs, III**,  
Goldsboro, NC (US); **Paul C. Carney**,  
Oakfield, NY (US) 4,585,435 A \* 4/1986 Vaillancourt ..... A61M 5/1408  
604/126
- (73) Assignee: **NEOGEN CORPORATION**, Lansing, MI (US) D300,177 S \* 3/1989 Bellotti ..... D24/129  
D314,051 S \* 1/1991 Berglund ..... D24/129  
D351,230 S \* 10/1994 Rakin ..... D24/162  
(Continued)

(\*\*) Term: **15 Years**

(21) Appl. No.: **29/627,067**

(22) Filed: **Nov. 22, 2017**

**Related U.S. Application Data**

(62) Division of application No. 29/570,842, filed on Jul. 12, 2016, now Pat. No. Des. 816,846, which is a division of application No. 29/480,656, filed on Jan. 28, 2014, now Pat. No. Des. 775,341.

(51) **LOC (11) Cl.** ..... **24-01**

(52) **U.S. Cl.**  
USPC ..... **D24/162**

(58) **Field of Classification Search**  
USPC ... D24/162, 112, 129, 108, 122, 130, 110.6,  
D24/110.5, 113, 110, 224; 604/411,  
604/168.01, 272, 264, 126; 137/68.11;  
D23/209; 128/898  
CPC ..... A61J 2001/201; A61J 1/2089; A61M  
25/0693; A61M 5/3286; A61M 5/162;  
A61M 5/1408; A22C 17/0053; A61B  
17/1671

See application file for complete search history.

(56) **References Cited**

**U.S. PATENT DOCUMENTS**

- 2,746,455 A \* 5/1956 Abel ..... A61M 5/162  
604/411
- D208,838 S \* 10/1967 St. Amand ..... D24/112

**OTHER PUBLICATIONS**

Drawings of Prima Tech, USA, Remote Draw-Off spike sold prior to Jan. 28, 2013.

*Primary Examiner* — Rhea Shields

(74) *Attorney, Agent, or Firm* — Honigman LLP; Douglas H. Siegel; Jonathan P. O'Brien

(57) **CLAIM**

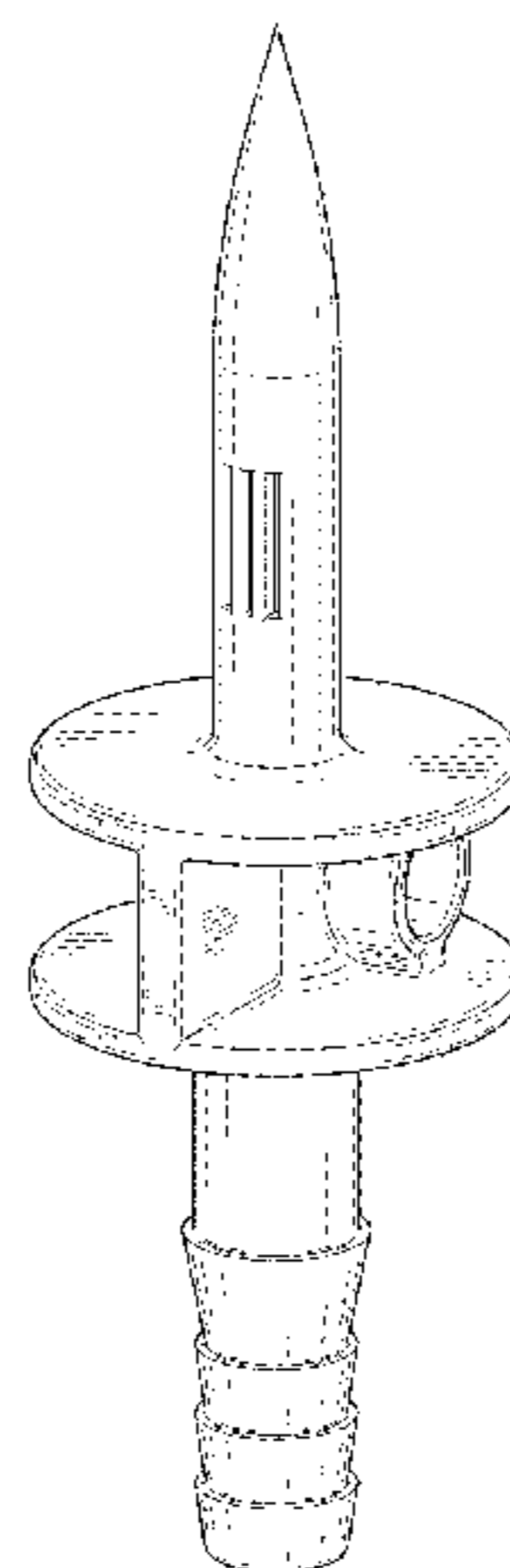
The ornamental design for a filtrating spike, as shown and described.

**DESCRIPTION**

FIG. 1 is a left-front isometric view of a filtrating spike, showing our new design;  
FIG. 2 is a front elevational view of the filtrating spike;  
FIG. 3 is a back elevational view of the filtrating spike;  
FIG. 4 is a right side elevational view of the filtrating spike;  
FIG. 5 is a left side elevational view of the filtrating spike;  
FIG. 6 is a top view of the filtrating spike; and,  
FIG. 7 is a bottom view of the filtrating spike.

In the drawings, the broken lines are for the purpose of illustrating environment only and form no part of the claimed design.

**1 Claim, 4 Drawing Sheets**



(56)

**References Cited**

## U.S. PATENT DOCUMENTS

5,393,497 A \* 2/1995 Haber ..... A61J 1/2089  
137/68.11  
D357,733 S \* 4/1995 Matkovich ..... D24/112  
5,484,437 A \* 1/1996 Michelson ..... A61B 17/1671  
128/898  
D380,543 S \* 7/1997 Piontek ..... D24/108  
D416,086 S \* 11/1999 Parris ..... D24/112  
D425,618 S \* 5/2000 Niermann ..... D24/122  
D458,677 S \* 6/2002 Farris ..... D24/112  
D469,869 S \* 2/2003 Farris ..... D24/112  
D487,149 S \* 2/2004 Farris ..... D24/112  
D615,648 S \* 5/2010 Burke ..... D24/130  
D620,075 S \* 7/2010 Yamaguchi ..... D23/209  
D634,007 S \* 3/2011 Zinger ..... D24/129  
7,905,869 B2 \* 3/2011 Prindle ..... A22C 17/0053  
604/264  
D636,878 S \* 4/2011 Lee ..... D24/162  
D681,816 S \* 5/2013 Taylor ..... D24/162  
D692,555 S \* 10/2013 Maksym ..... D24/110  
D692,556 S \* 10/2013 Winter ..... D24/110.6  
D693,467 S \* 11/2013 Doucette ..... D24/162  
D708,749 S \* 7/2014 Appling ..... D24/162  
D709,188 S \* 7/2014 Guala ..... D24/130  
D717,941 S \* 11/2014 Mach ..... D24/113  
D728,784 S \* 5/2015 Rogers ..... D24/129  
D729,344 S \* 5/2015 Colussi ..... D23/209  
D765,837 S \* 9/2016 Lev ..... D24/129  
D775,341 S \* 12/2016 Holland ..... D24/162  
D777,940 S \* 1/2017 Peltosaari ..... D24/224

\* cited by examiner

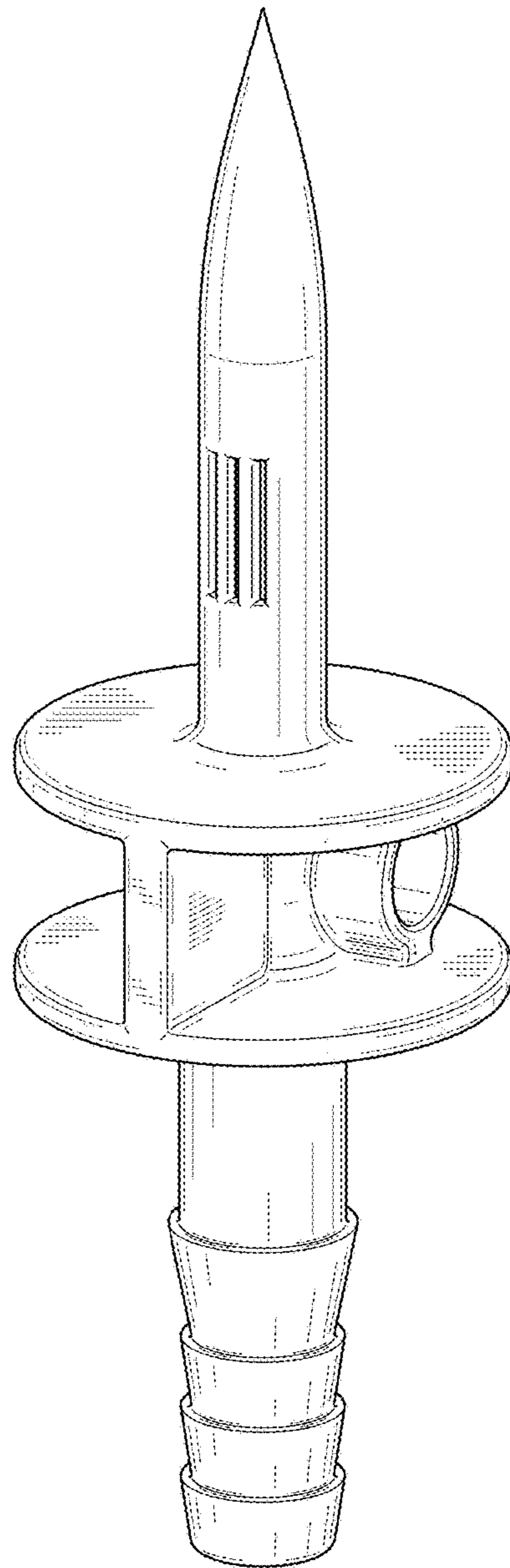


FIG. 1

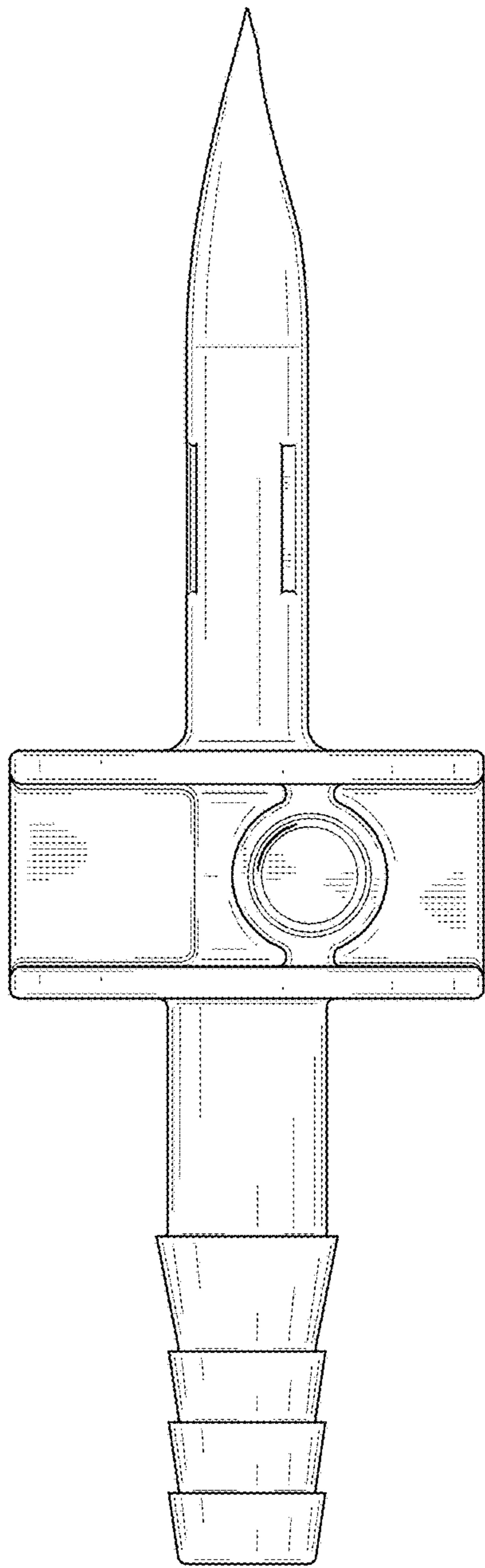


FIG. 2

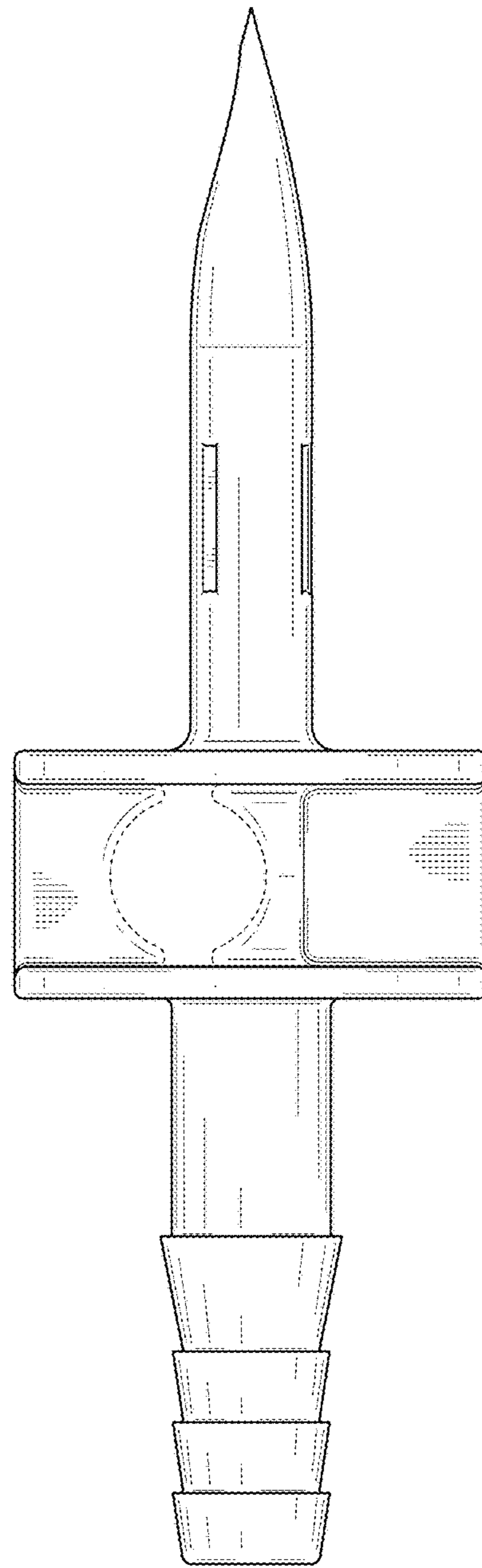


FIG. 3

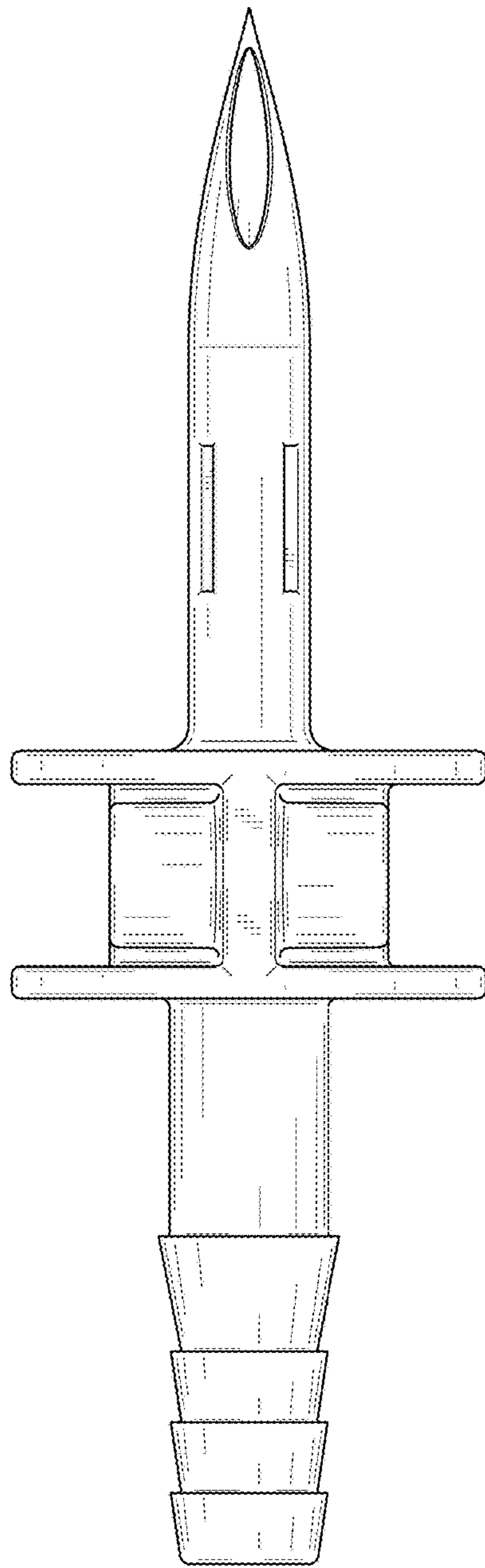


FIG. 4

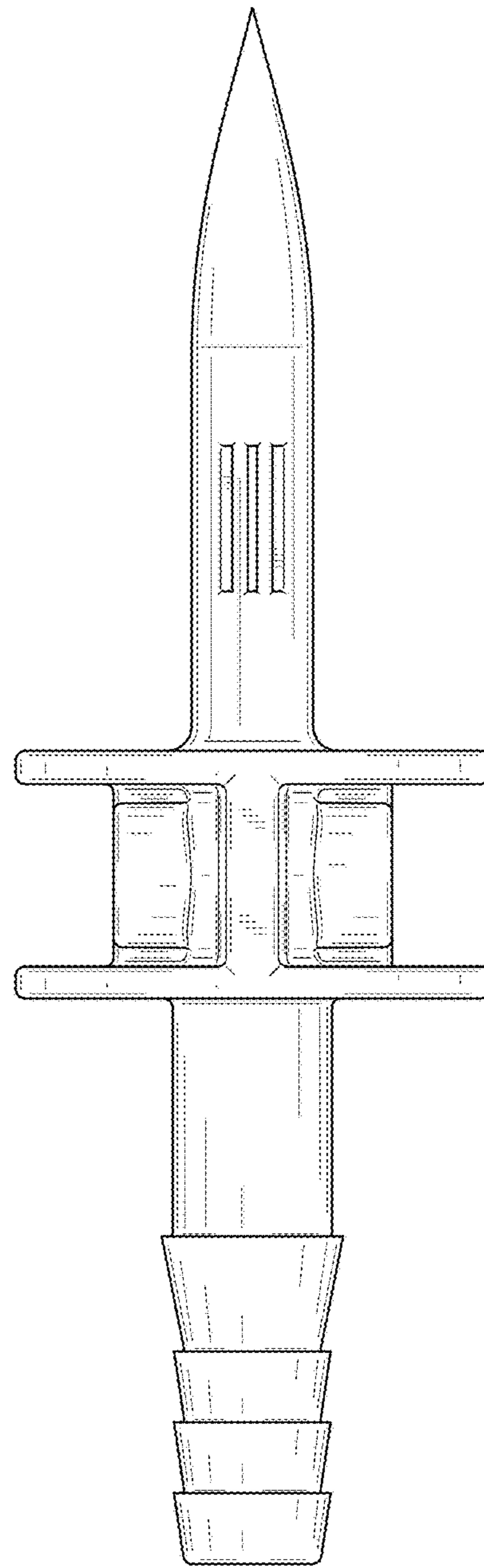


FIG. 5

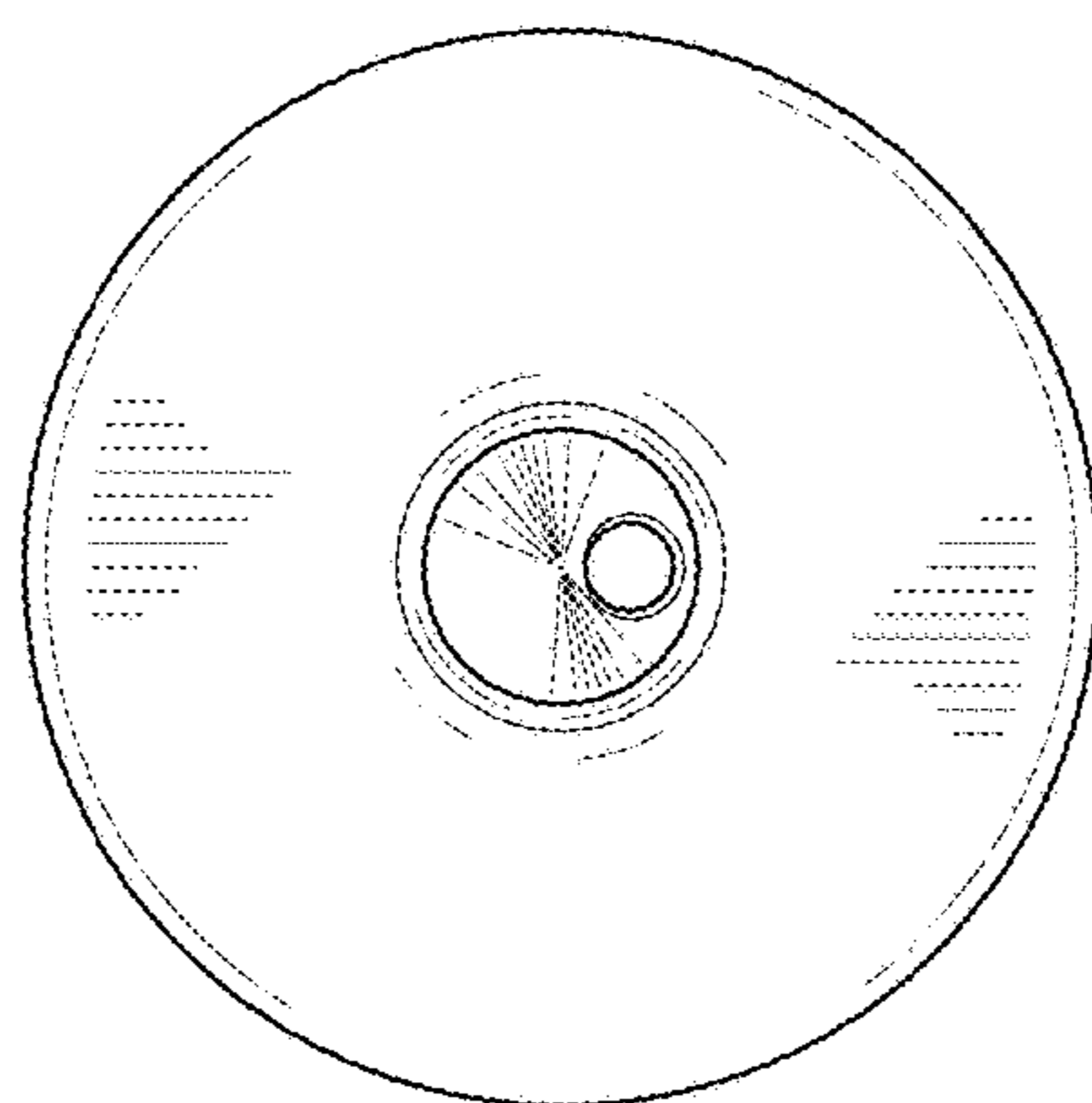


FIG. 6

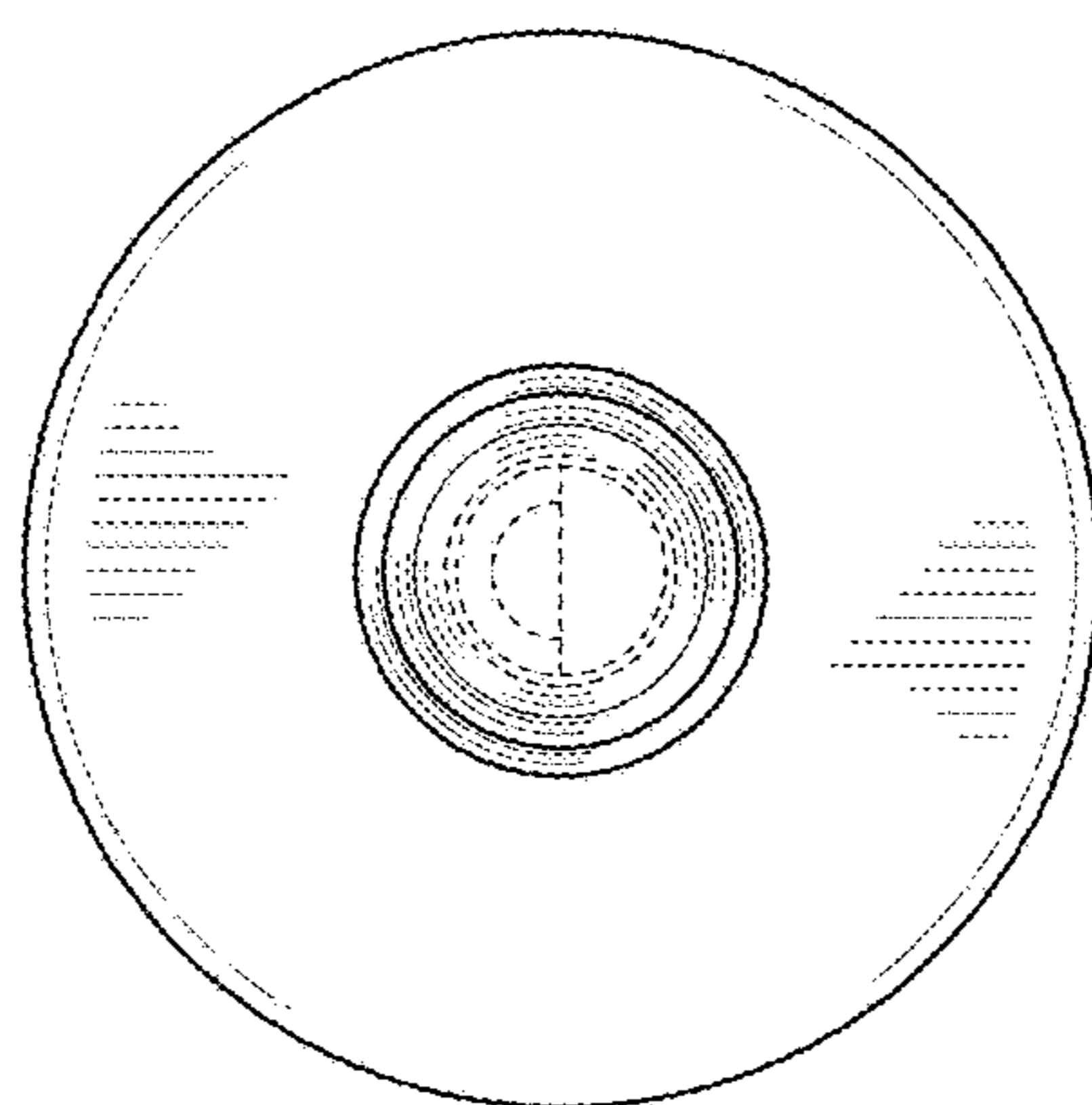


FIG. 7