



US00D845485S

(12) **United States Design Patent** (10) **Patent No.:** **US D845,485 S**
Thome et al. (45) **Date of Patent:** **** Apr. 9, 2019**

(54) **BONE IMPLANT**

(71) Applicant: **JJGC Indústria E Comércio De Materiais Dentários S/A**, Curitiba (BR)

(72) Inventors: **Geninho Thome**, Curitiba (BR); **Felix Andreas Mertin**, Curitiba (BR); **Alexsander Luiz Golin**, Curitiba (BR); **Ilderaldo Jose Lucca**, Curitiba (BR)

(73) Assignee: **JJGC Industria E Comercio De Materiais Dentarios S/A**, Curitiba (BR)

(**) Term: **15 Years**

(21) Appl. No.: **29/643,035**

(22) Filed: **Apr. 3, 2018**

Related U.S. Application Data

(62) Division of application No. 29/530,135, filed on Jun. 12, 2015, now Pat. No. Des. 816,841.

(51) **LOC (11) Cl.** **24-03**

(52) **U.S. Cl.**
USPC **D24/155**

(58) **Field of Classification Search**

USPC D24/155-157
CPC A61C 8/00; A61C 8/0089; A61C 8/0069; A61C 8/0054; A61C 8/0096; A61C 8/0039; A61C 8/0063; A61C 8/006; A61C 8/0001; A61C 8/0012; A61C 8/0075; A61C 8/0083; A61C 13/225

See application file for complete search history.

(56) **References Cited**

U.S. PATENT DOCUMENTS

422,307 A 2/1890 Libbey
1,698,951 A 1/1929 Holmes
2,215,770 A 9/1940 Sheffield

2,788,046 A 4/1957 Rosan
3,293,663 A 12/1966 Cronin
3,481,380 A 12/1969 Breed
3,672,058 A 6/1972 Nikoghossian
3,797,113 A 3/1974 Brainin
3,849,887 A 11/1974 Brainin
4,103,422 A 8/1978 Weiss et al.

(Continued)

FOREIGN PATENT DOCUMENTS

BR MU8801468 U2 11/2009
BR PI0902500 A2 4/2011

(Continued)

OTHER PUBLICATIONS

U.S. Appl. No. 29/530,135, filed Jun. 12, 2015, Thome et al.

(Continued)

Primary Examiner — Charles D Hanson

(74) *Attorney, Agent, or Firm* — Foley & Lardner LLP; Christopher C. Bolten; Chirstopher M. King

(57) **CLAIM**

We claim the ornamental design for a bone implant, as shown and described.

DESCRIPTION

FIG. 1 is a front perspective view from below of the claimed design;

FIG. 2 is a bottom view from above of the claimed design of FIG. 1;

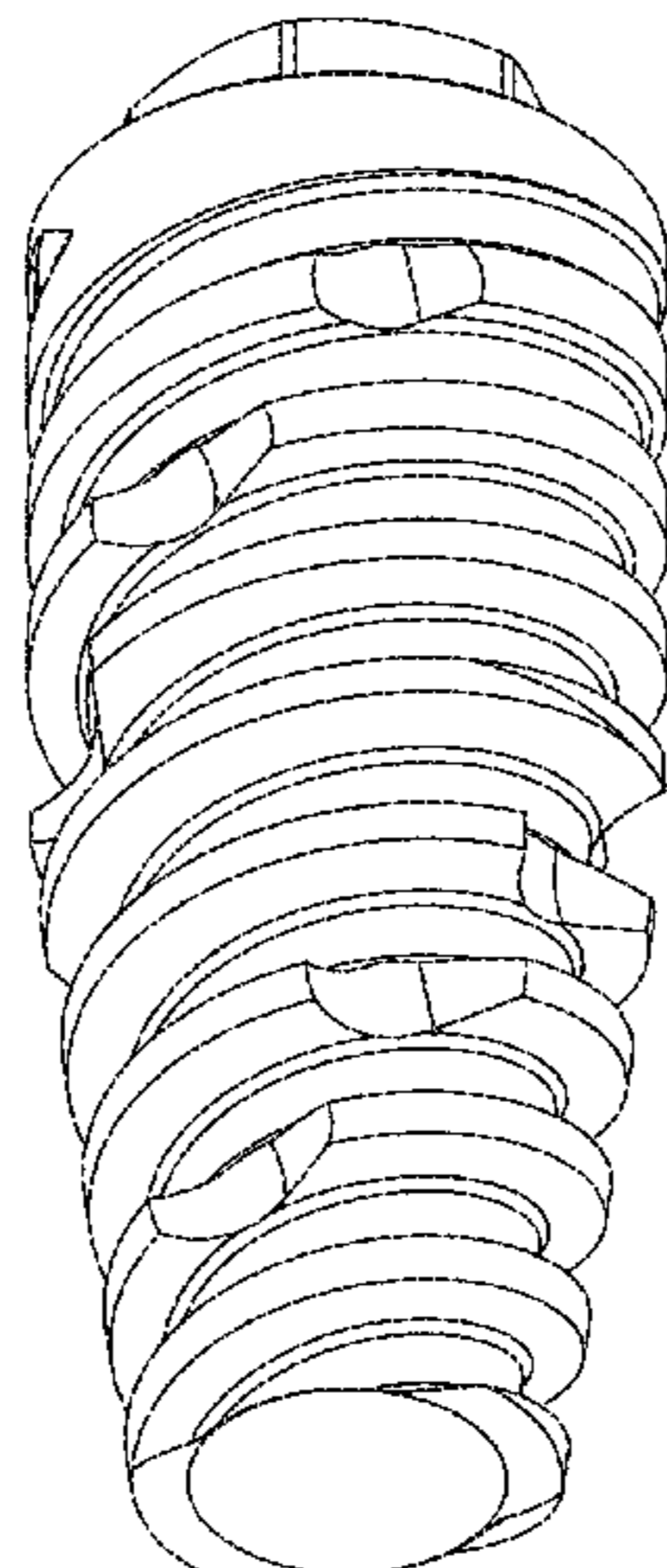
FIG. 3 is a left side view of the claimed design of FIG. 1, the right side view is identical to the left side view;

FIG. 4 is a front view of the claimed design of FIG. 1, the rear view is identical to the front view;

FIG. 5 is a front perspective view from above of the claimed design of FIG. 1; and,

FIG. 6 is a top view of the claimed design of FIG. 1.

1 Claim, 3 Drawing Sheets



(56)

References Cited

U.S. PATENT DOCUMENTS

D648,436 S 11/2011 Stelter et al.
 8,066,511 B2 11/2011 Wohrle et al.
 8,083,442 B2 12/2011 Pan
 D653,758 S 2/2012 Stelter et al.
 D662,593 S 6/2012 Prosser et al.
 8,192,199 B2 6/2012 Arni
 D663,032 S * 7/2012 Mashio D24/156
 D663,419 S * 7/2012 Mashio D24/156
 8,221,119 B1 7/2012 Valen
 8,277,218 B2 10/2012 D'Alise
 8,408,904 B2 4/2013 Purga et al.
 8,485,819 B2 7/2013 Callan
 8,491,302 B2 7/2013 Arni
 8,714,977 B2 5/2014 Fromovich et al.
 8,758,012 B2 6/2014 Hurson
 8,764,443 B2 7/2014 Hall
 8,858,230 B2 10/2014 Hsieh
 8,870,573 B2 10/2014 Hung
 D733,885 S * 7/2015 Andersin D24/156
 9,220,582 B2 12/2015 Thome et al.
 D752,756 S * 3/2016 Aravena D24/156
 D783,823 S * 4/2017 Emanuelli D24/156
 D783,825 S * 4/2017 Emanuelli D24/156
 D785,179 S * 4/2017 Emanuelli D24/156
 9,681,930 B2 6/2017 Thome et al.
 D808,016 S * 1/2018 Kim D24/156
 9,855,117 B2 1/2018 Hwang
 2001/0000748 A1 5/2001 Rogers et al.
 2002/0064758 A1 5/2002 Lee
 2002/0102518 A1 8/2002 Mena
 2002/0106612 A1 8/2002 Back et al.
 2002/0177106 A1 11/2002 May et al.
 2003/0064349 A1 4/2003 Simmons, Jr.
 2003/0124487 A1 7/2003 McDevitt
 2004/0006346 A1 1/2004 Holmen et al.
 2004/0033469 A1 2/2004 Blacklock
 2004/0063069 A1 4/2004 Lombardi
 2004/0063071 A1 4/2004 Schroering
 2005/0053897 A1 3/2005 Wu
 2005/0100863 A1 5/2005 Chang
 2005/0214714 A1 9/2005 Wohrle
 2005/0244789 A1 11/2005 Crohin et al.
 2005/0260540 A1 11/2005 Hall
 2005/0266381 A1 12/2005 Abarno
 2005/0287497 A1 12/2005 Carter
 2006/0003290 A1 1/2006 Niznick
 2006/0078847 A1 4/2006 Kwan
 2006/0099153 A1 5/2006 Kato et al.
 2006/0147880 A1 7/2006 Krumsiek et al.
 2006/0172257 A1 8/2006 Niznick
 2006/0172258 A1 8/2006 Niznick
 2006/0183078 A1 8/2006 Niznick
 2006/0223030 A1 10/2006 Dinkelacker
 2007/0065778 A1 3/2007 Lippe
 2007/0287128 A1 12/2007 Claudio et al.
 2008/0014556 A1 1/2008 Neumeyer
 2008/0032264 A1 2/2008 Hall
 2008/0182227 A1 7/2008 Wolf et al.
 2008/0187886 A1 8/2008 Robb
 2008/0293014 A1 11/2008 Chung
 2009/0220914 A1 9/2009 Gershenzon
 2009/0233256 A1 9/2009 Schroering
 2009/0305191 A1 12/2009 Jandali
 2010/0092920 A1 4/2010 Hsieh
 2010/0190138 A1 7/2010 Giorno
 2011/0027756 A1 2/2011 Benatouil et al.
 2011/0097689 A1 4/2011 Thome
 2011/0117522 A1 5/2011 Verma et al.
 2011/0123953 A1 5/2011 Jorneus et al.
 2011/0143317 A1 6/2011 Thome
 2011/0195980 A1 8/2011 Giorno
 2011/0244427 A1 10/2011 Hung
 2011/0294094 A1 12/2011 Moshavi
 2012/0077151 A1 3/2012 Nary Filho et al.
 2012/0135378 A1 5/2012 Thome

2012/0156647 A1 6/2012 Yoon et al.
 2012/0178048 A1 7/2012 Cottrell
 2012/0237898 A1 9/2012 Palti et al.
 2012/0237899 A1 9/2012 Holmstrom et al.
 2012/0237900 A1 9/2012 Lancieux et al.
 2012/0288824 A1 11/2012 Nordin et al.
 2013/0045144 A1 2/2013 Perozziello et al.
 2013/0177874 A1 7/2013 Hori et al.
 2013/0224687 A1 8/2013 Karmon
 2013/0244202 A1 9/2013 Chen
 2013/0260339 A1 10/2013 Reddy et al.
 2013/0273500 A1 10/2013 Giorno
 2013/0309630 A1 11/2013 Bolleter
 2014/0045144 A1 2/2014 Dukhan
 2014/0186799 A1 7/2014 Pan et al.
 2014/0234800 A1 8/2014 Laster
 2015/0044638 A1 2/2015 Baez
 2015/0111175 A1 4/2015 Thome et al.
 2015/0230889 A1 8/2015 Kim
 2015/0297321 A1 10/2015 Chen
 2016/0166358 A1 6/2016 Thome et al.
 2017/0071702 A1 3/2017 Fromovich

FOREIGN PATENT DOCUMENTS

CN 203029412 7/2013
 DE 39 04 528 8/1990
 DE 10231743 2/2004
 EP 0 707 835 A1 4/1996
 EP 0 819 410 A1 1/1998
 EP 0 895 757 A1 2/1999
 EP 1 396 236 3/2004
 EP 1 728 486 12/2006
 EP 2 145 600 A1 1/2010
 FR 2600246 A1 12/1987
 FR 2610512 8/1988
 JP H08-19555 A 1/1996
 RU 2190373 10/2002
 RU 2202982 4/2003
 WO WO-01/49199 A1 7/2001
 WO WO-03/005928 A1 1/2003
 WO WO-2006/026938 A1 3/2006
 WO WO-2006/082050 A1 8/2006
 WO WO-2007/091997 A1 8/2007
 WO WO-2008/096294 A1 8/2008
 WO WO-2008/157137 A1 12/2008
 WO WO-2009/007891 A1 1/2009
 WO WO-2009/054005 A1 4/2009
 WO WO-2009/130415 A1 10/2009
 WO WO-2011/083400 A1 7/2011
 WO WO-2011/132007 A1 10/2011
 WO WO-2012/007118 A1 1/2012
 WO WO-2012/059908 A1 5/2012
 WO WO-2012/075614 A1 6/2012
 WO WO-2012/123661 A1 9/2012
 WO WO-2012/126466 A1 9/2012
 WO WO-2013/004703 A1 1/2013
 WO WO-2013/068088 A1 5/2013
 WO WO-2013/157756 A1 10/2013
 WO WO-2016/094997 A1 6/2016

OTHER PUBLICATIONS

ADIN Dental Implant Systems, Tourag (TM)-S, Website Catalog, 2 pages, Sep. 14, 2014.
 AlphaBio Product Catalog, 16 pages (1995).
 AlphaBio System Product Catalog, 53 pages, Mar. 2003.
 Anthogyr Implants SAS Catalog, The Implantology Serenly, 40 pages (2002).
 Bicon Dental Implants Catalog, 7 pages (1997).
 Hansson, The Implant Neck: Smooth or Provided With Retention Elements, A Biomechanical Approach, Clin. Oral Impl. Res, 10:394-405 (1999).
 Intradent Catalog—"Facility Implants—The Solution for Narrow Restorative Spaces", 4 pages (2014).
 Intradent Catalog—"Neodent—20 Years of Advancement in Implantology", 8 pages (2013).

(56)

References Cited

OTHER PUBLICATIONS

Instradent Catalog—"One Step Hybrid—The Definitive Solution For The Immediate Loading of a Full Arch Prosthesis", 8 pages (2014).

Instradent Catalog—"The CM Implant Line", 8 pages (2013).

Instradent Catalog—"The CM Implant Line—Overview", 2 pages (2013).

Instradent Catalog—"The Smart Implant Line—External Hex—Overview", 2 pages (2013).

Instradent Catalog—"The Smart Implant Line—External Hex, A Classic in Versatility", 8 pages (2013).

Instradent Catalog—"The WS Implant Line—Overview", 2 pages (2013).

International Search Report & Written Opinion dated Jan. 8, 2016 in Int'l PCT Patent Application Serial No. PCT/BR2015/050240.

Judy, et al., Improved Technique of endodontic stabilization—biofunctional considerations, *Oral Health*, vol. 65, No. 4, pp. 36-44 (1975).

Ledermann, et al., Long-Lasting Osseointegration of Immediately Loaded, Bar-Connected TPS Screws After 12 Years of Function: A Histologic Case Report of a 95-year-old Patient, *The International Journal of Periodontics & Restorative Dentistry*, 18(6):553-563 (1998).

Ledermann, et al., Titanium-Coated Screw Implants as Alloplastic Endosteal Retention Element in the Edentulous Problematic Mandible (I), *Systematic Procedure to the Time of Impression-Taking, Color Atlas, Quintessence International*, pp. 895-901 (1981).

M Implant—Double Morse Taper Connection, <http://en.fbr-implants.com/home/products/implants/implant-m>, 3 pages, Sep. 2014.

Spiekermann, et al., *Color Atlas of Dental Medicine, Implantology, Ledermann Screw Implant*, p. 52, (1995).

SwissPlus Implant System—Product Catalog, "Centerpulse", 28 pages (2003).

Tapered SwissPlus Self-Tapping Design & Double Lead Threads, Zimmer Dental, http://www.zimmerdental.com/products/implants/im_tswpFSelfTap.aspx, 1 page, (2014).

Weiss, Charles M., DDS, *Principles and Practice of Implant Dentistry*, Chapter 19—Endodontic Stabilizer Implants—Tooth Root Extension for Improved Prognosis, 17 pages (2001).

U.S. Appl. No. 29/530,135, filed Jun. 12, 2015.

U.S. Appl. No. 14/874,145 / U.S. Pat. No. 9,681,930, filed Oct. 2, 2015 / dated Jun. 20, 2017.

U.S. Appl. No. 15/624,621, filed Jun. 15, 2017.

U.S. Appl. No. 29/530,135 / U.S. Pat. No. D. 816,841, filed Jun. 12, 2015 / dated May 1, 2018.

U.S. Appl. No. 29/643,032, filed Apr. 3, 2018.

U.S. Appl. No. 29/643,036, filed Apr. 3, 2018.

U.S. Appl. No. 15/624,261, filed Jun. 15, 2017.

* cited by examiner

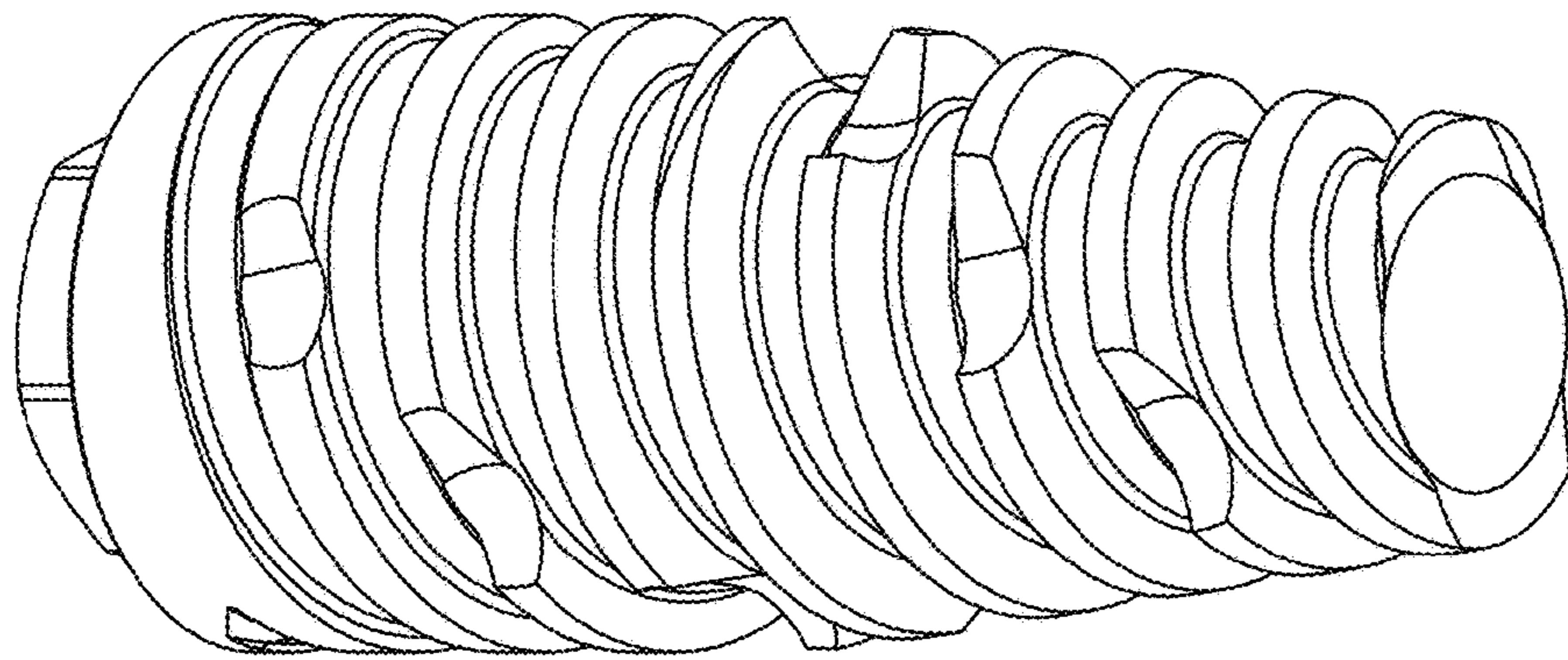


FIG. 1

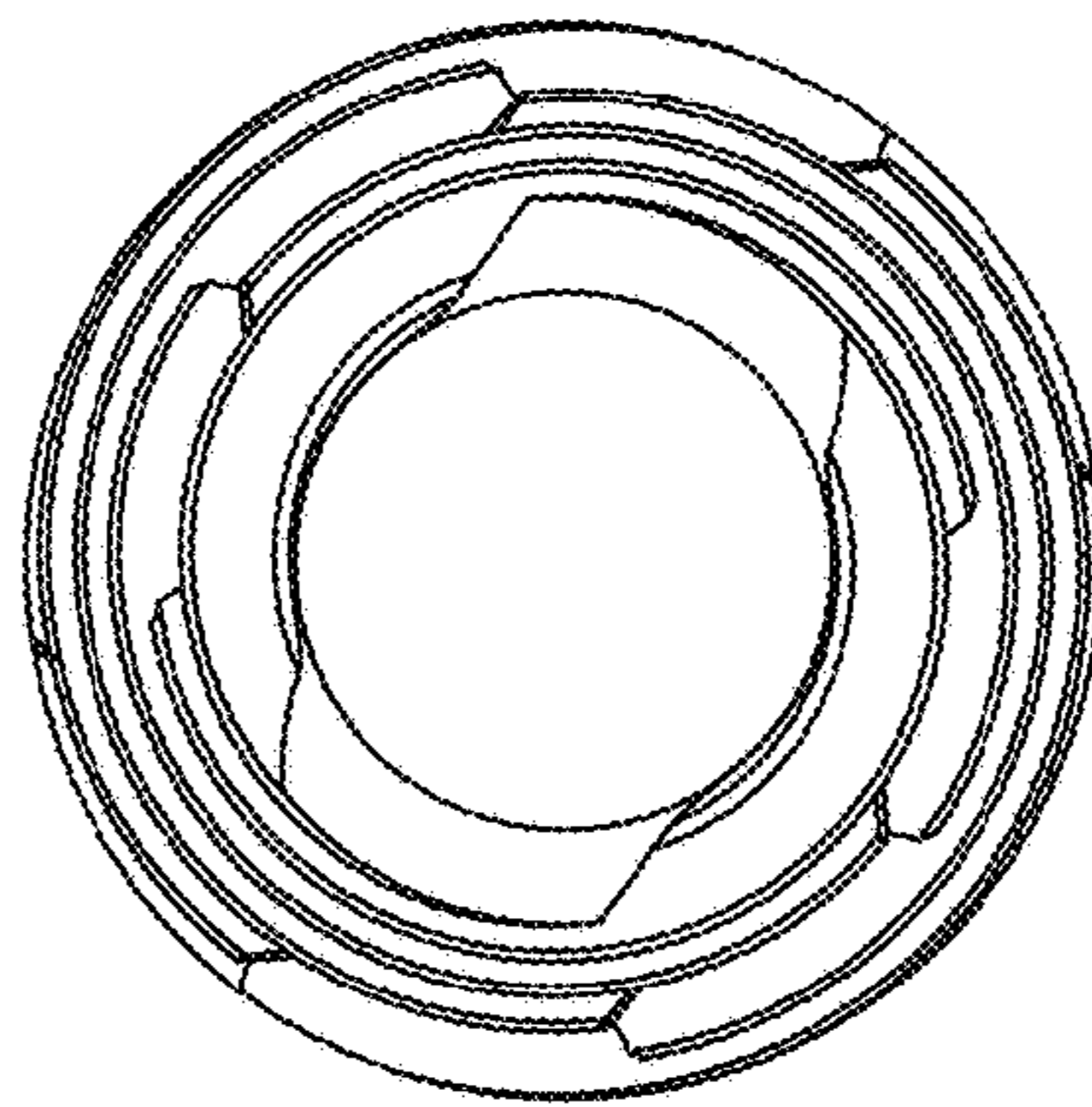


FIG. 2

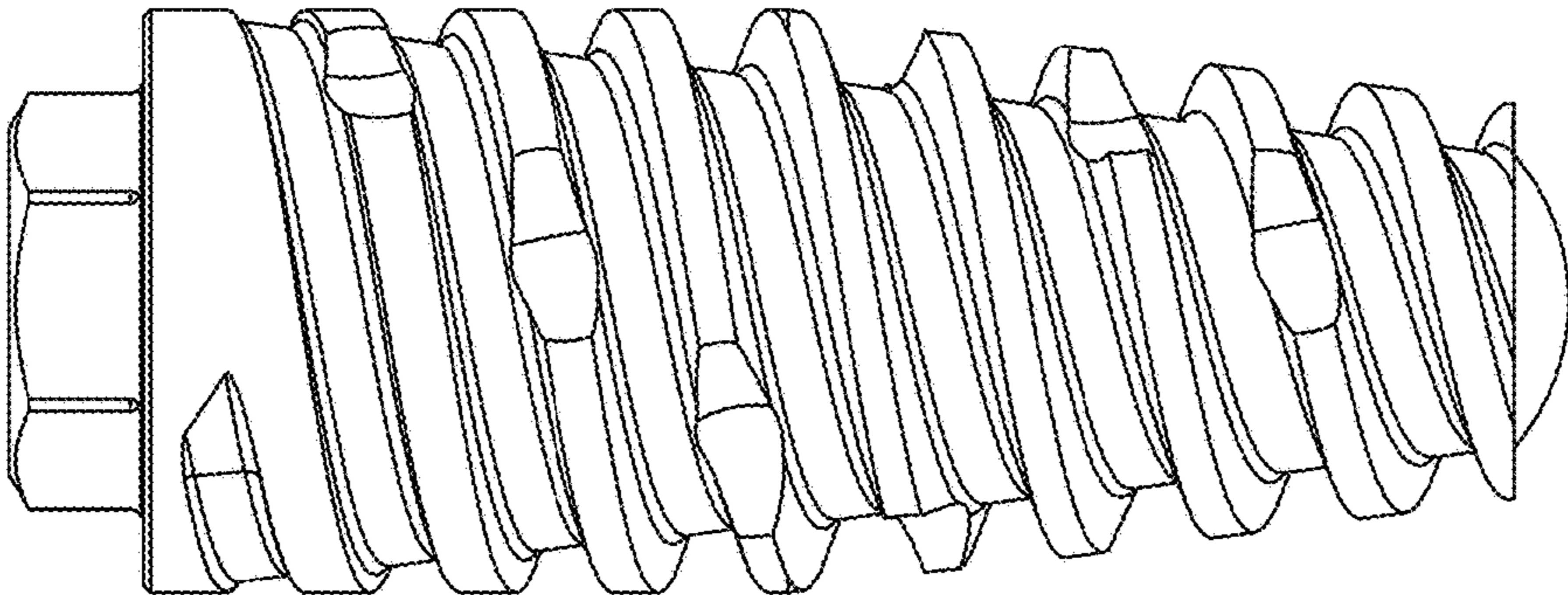


FIG. 4

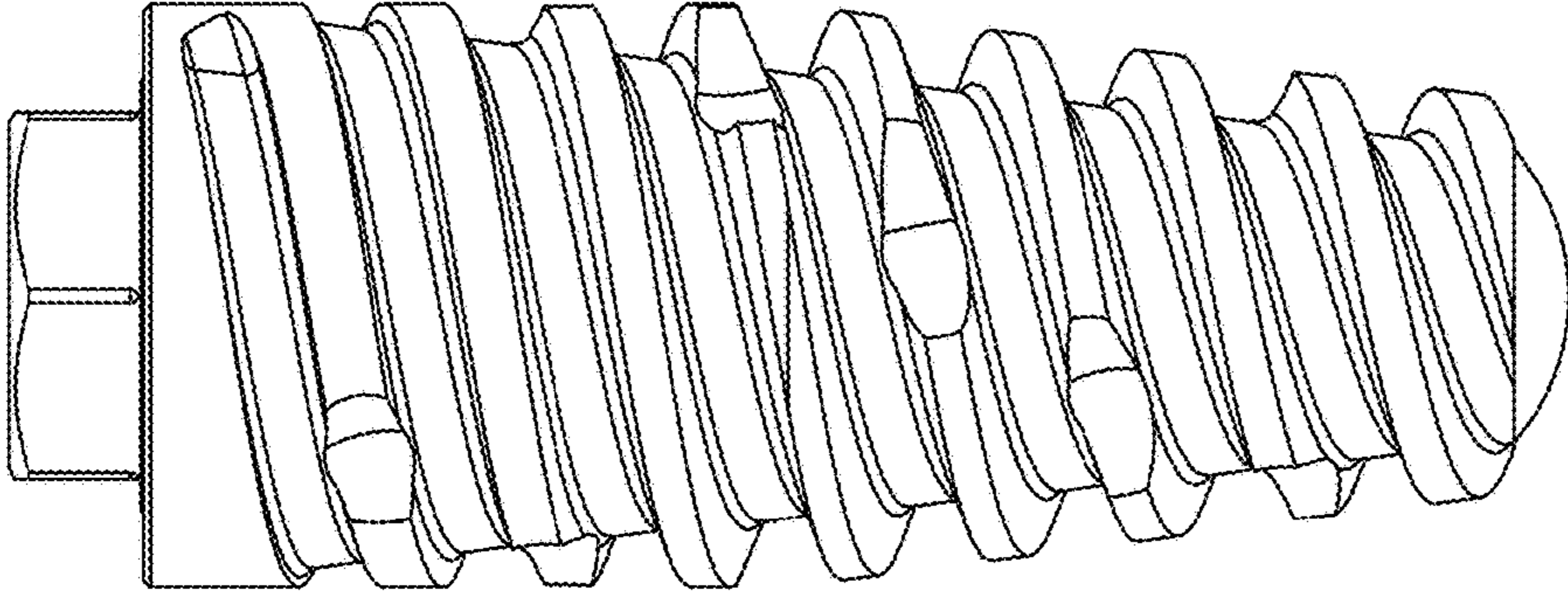


FIG. 3

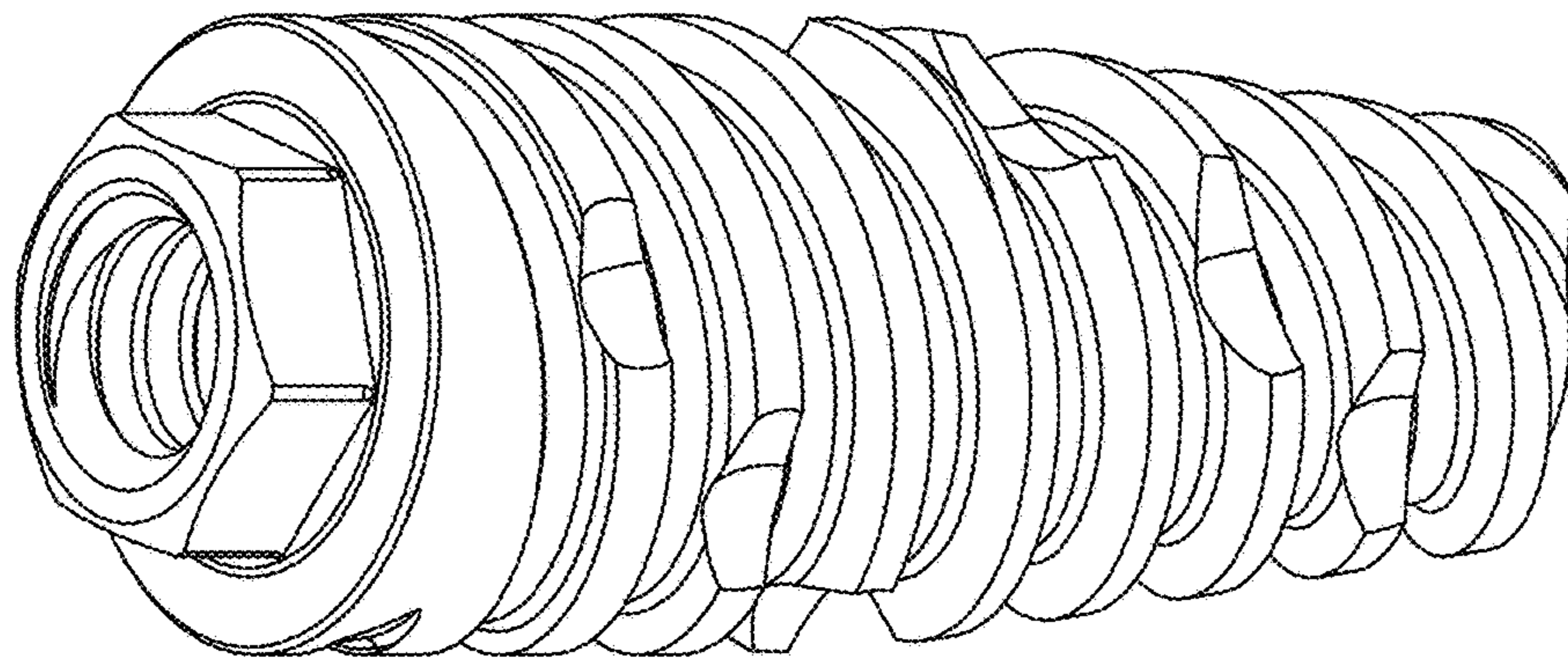


FIG. 5

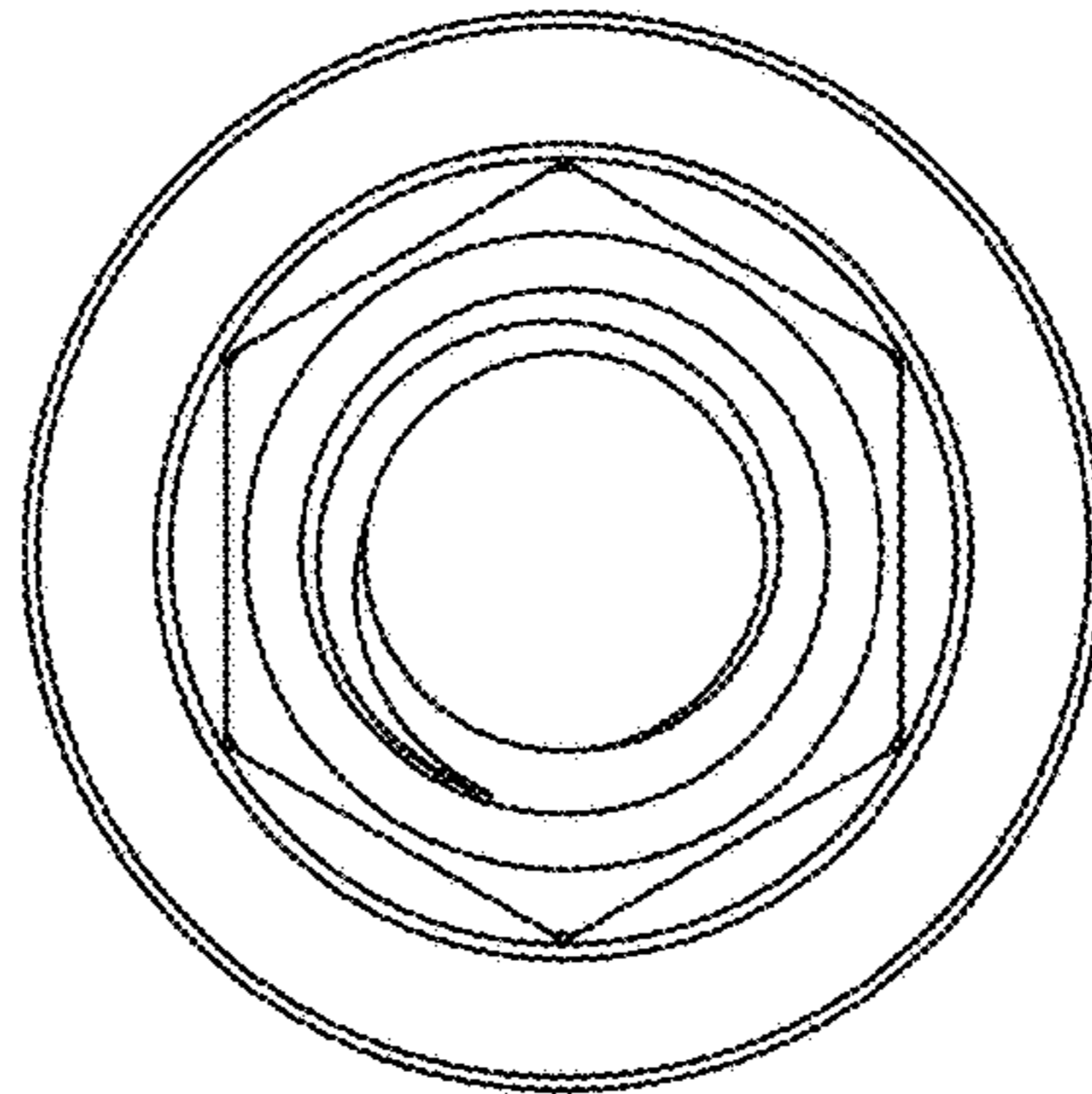


FIG. 6