



US00D845478S

(12) **United States Design Patent**
Luke

(10) **Patent No.:** **US D845,478 S**

(45) **Date of Patent:** **** Apr. 9, 2019**

(54) **PERSONAL ASSISTANCE DEVICE**

(71) Applicant: **Frank Solomon Luke**, Panama City, FL (US)

(72) Inventor: **Frank Solomon Luke**, Panama City, FL (US)

(**) Term: **15 Years**

(21) Appl. No.: **29/669,060**

(22) Filed: **Nov. 5, 2018**

(51) **LOC (11) Cl.** **24-02**

(52) **U.S. Cl.**
USPC **D24/141**

(58) **Field of Classification Search**
USPC D24/141, 135, 105, 133, 140, 143;
128/838-840, 883-884, 887; 600/220,
600/235; 604/14, 328, 330, 385.17
CPC A61M 3/00; A61M 2210/1092; A61M
2210/14; A61M 2210/1475; A61F 6/00;
A61F 6/06; A61F 6/065; A61F 6/08;
A61F 6/12; A61F 6/18; A61F 2/005;
A61F 5/41; A61F 2005/411; A61H 19/50;
A61H 19/32; A61H 19/40
See application file for complete search history.

(56) **References Cited**

U.S. PATENT DOCUMENTS

2,868,192	A *	1/1959	Dannen	A61F 5/41 600/39
4,794,920	A *	1/1989	Robichaud	A61F 6/065 128/844
5,490,519	A *	2/1996	Hessel	A61F 6/065 128/842
D396,284	S *	7/1998	Schaefer	D24/141
5,785,648	A	7/1998	Min		
6,341,607	B1	1/2002	Couvreur		
6,436,031	B1 *	8/2002	Salib	A61F 5/41 600/39

D462,770	S	9/2002	Elist		
6,983,751	B2	1/2006	Osterberg		
D603,041	S	10/2009	Garg		
7,611,456	B2 *	11/2009	Jared	A61F 5/41 600/39
7,726,316	B1 *	6/2010	Pope	A61F 6/065 128/830
9,622,902	B1	4/2017	Bublick et al.		
2005/0234304	A1	10/2005	Dewey et al.		
2013/0253264	A1 *	9/2013	Canbulat	A61F 5/41 600/38

(Continued)

FOREIGN PATENT DOCUMENTS

DE	102010056440	12/2010
EP	1949860 B1	8/2006
WO	WO2005092256	10/2005

Primary Examiner — Wan Laymon

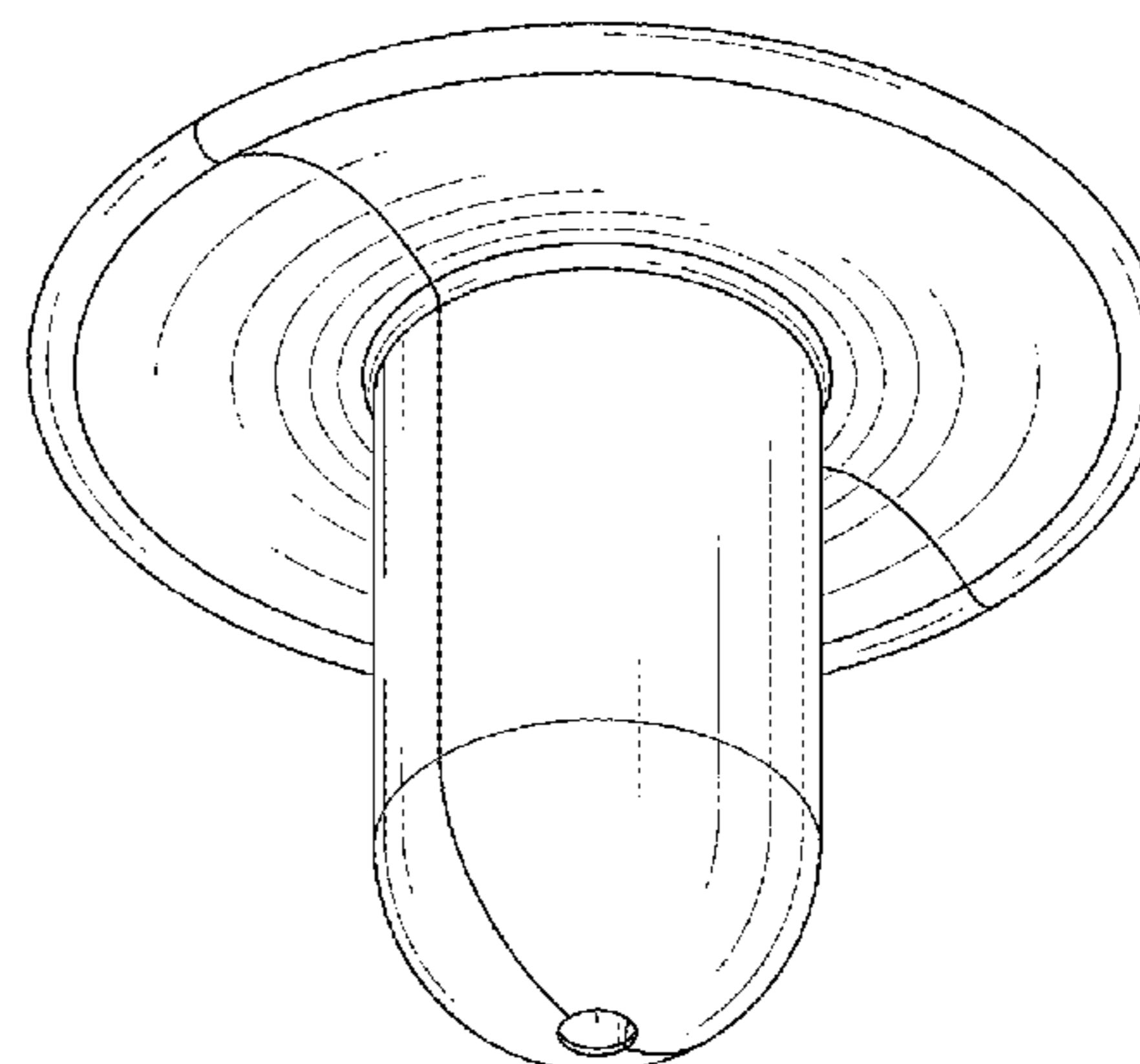
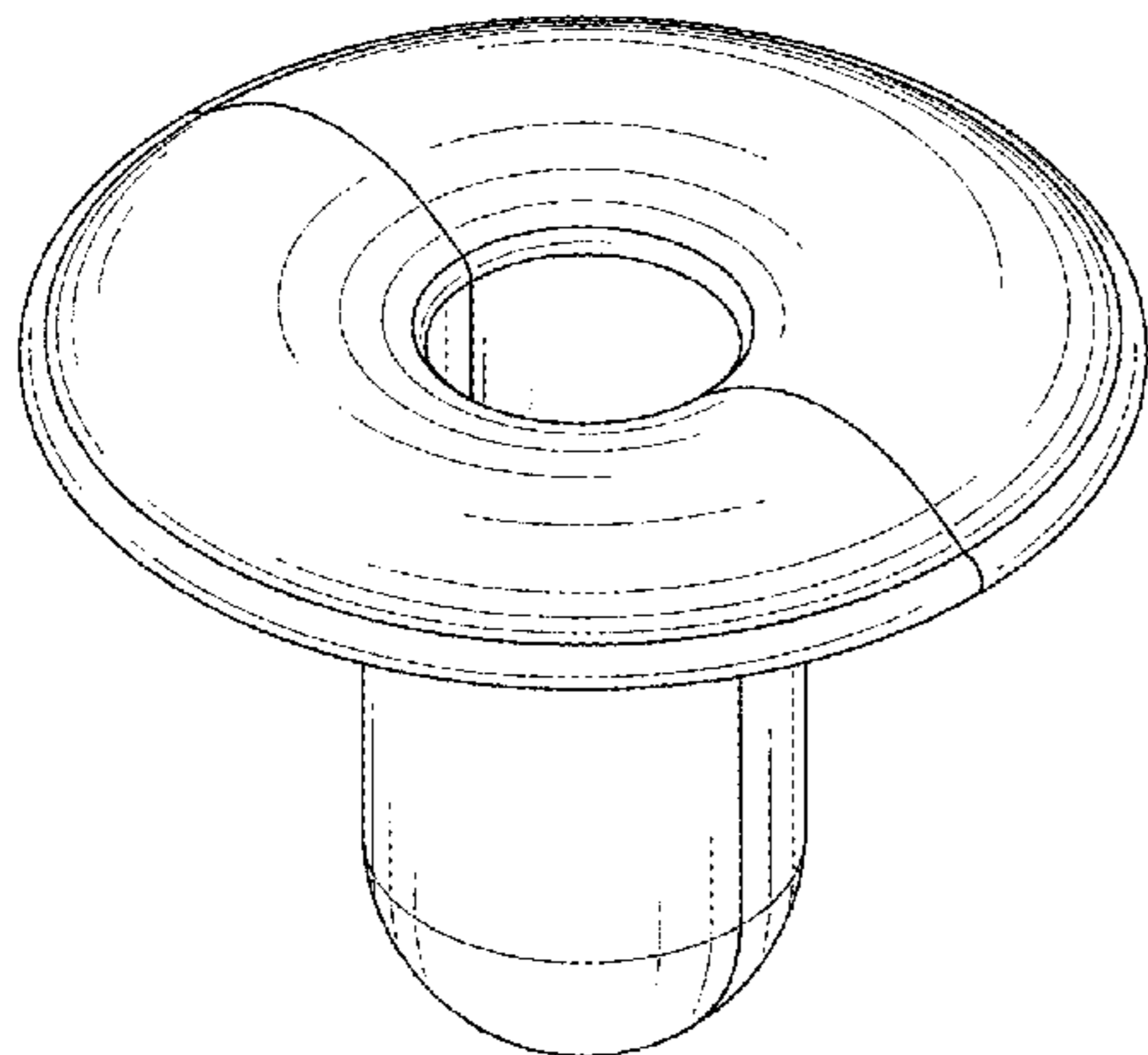
(57) **CLAIM**

The ornamental design for a personal assistance device, as shown and described.

DESCRIPTION

FIG. 1 is a top perspective view of a personal assistance device showing my new design;
 FIG. 2 is a bottom perspective view thereof;
 FIG. 3 is an exploded top perspective view thereof;
 FIG. 4 is an exploded bottom perspective view thereof;
 FIG. 5 is a front view thereof;
 FIG. 6 is a rear view thereof;
 FIG. 7 is a left side view thereof;
 FIG. 8 is a right side view thereof;
 FIG. 9 is a top view thereof; and,
 FIG. 10 is a bottom view thereof.
 The broken line showing protrusions and indentations in FIGS. 3 and 4 is included for the purpose of illustrating environmental structure and forms not part of the claimed design.

1 Claim, 10 Drawing Sheets



(56)

References Cited

U.S. PATENT DOCUMENTS

2014/0171734 A1* 6/2014 Kassman A61H 19/50
600/38
2015/0141748 A1* 5/2015 Campbell A61H 19/50
600/38
2015/0157494 A1 6/2015 Sadlo et al.
2017/0360653 A1* 12/2017 Marshall A61F 5/41
2018/0168920 A1* 6/2018 Fryman A61H 19/50

* cited by examiner

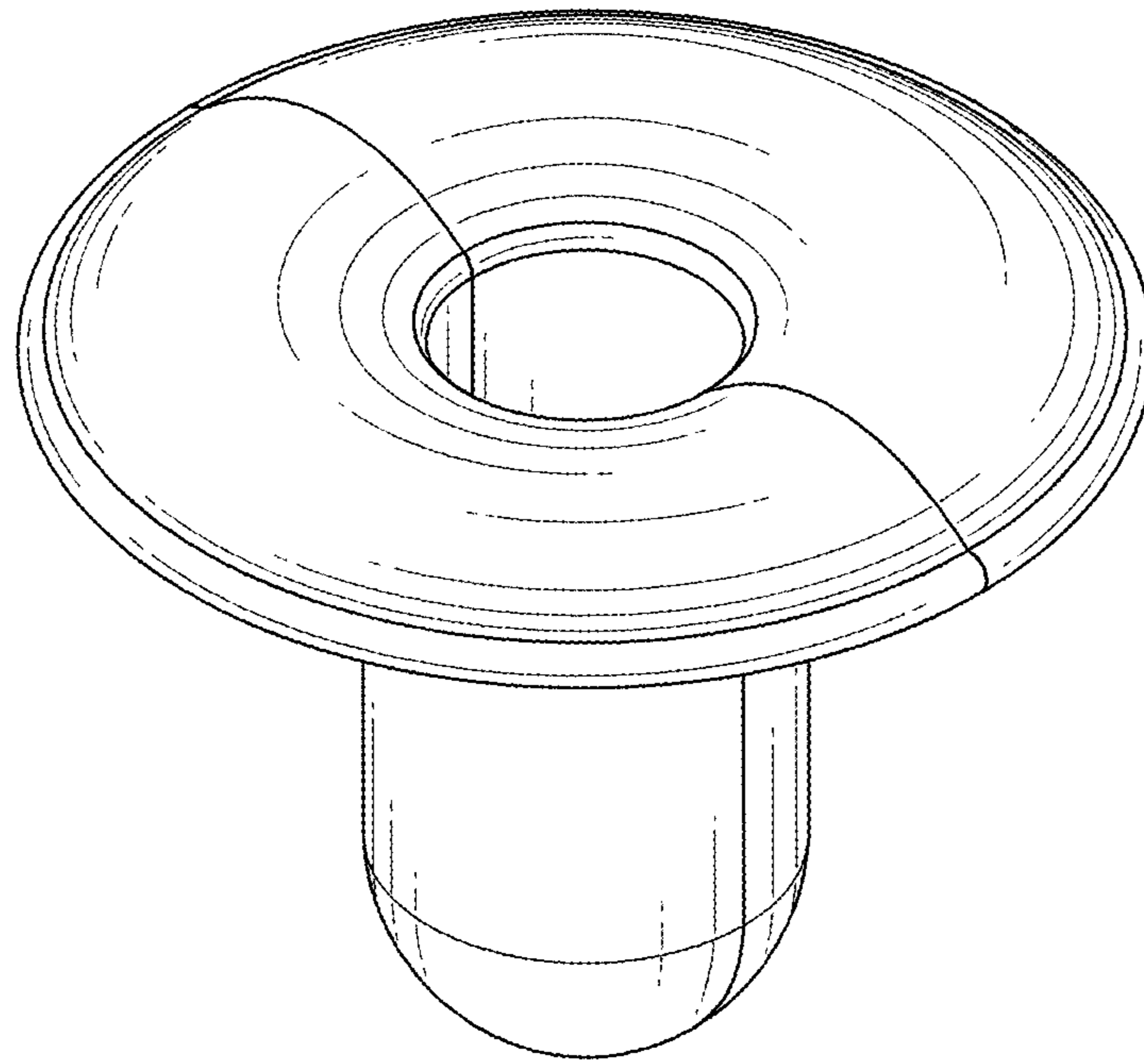


FIG. 1

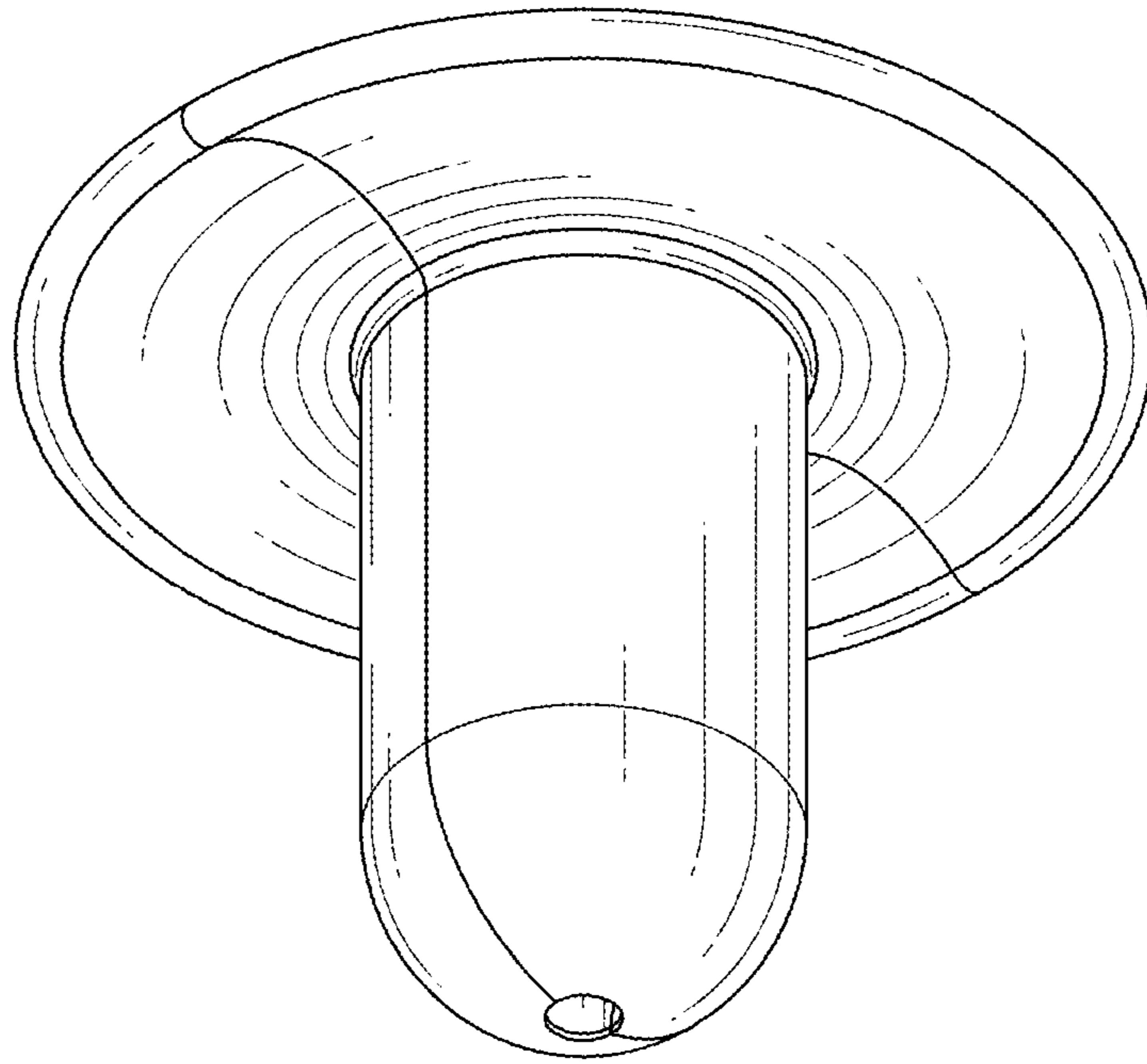


FIG. 2

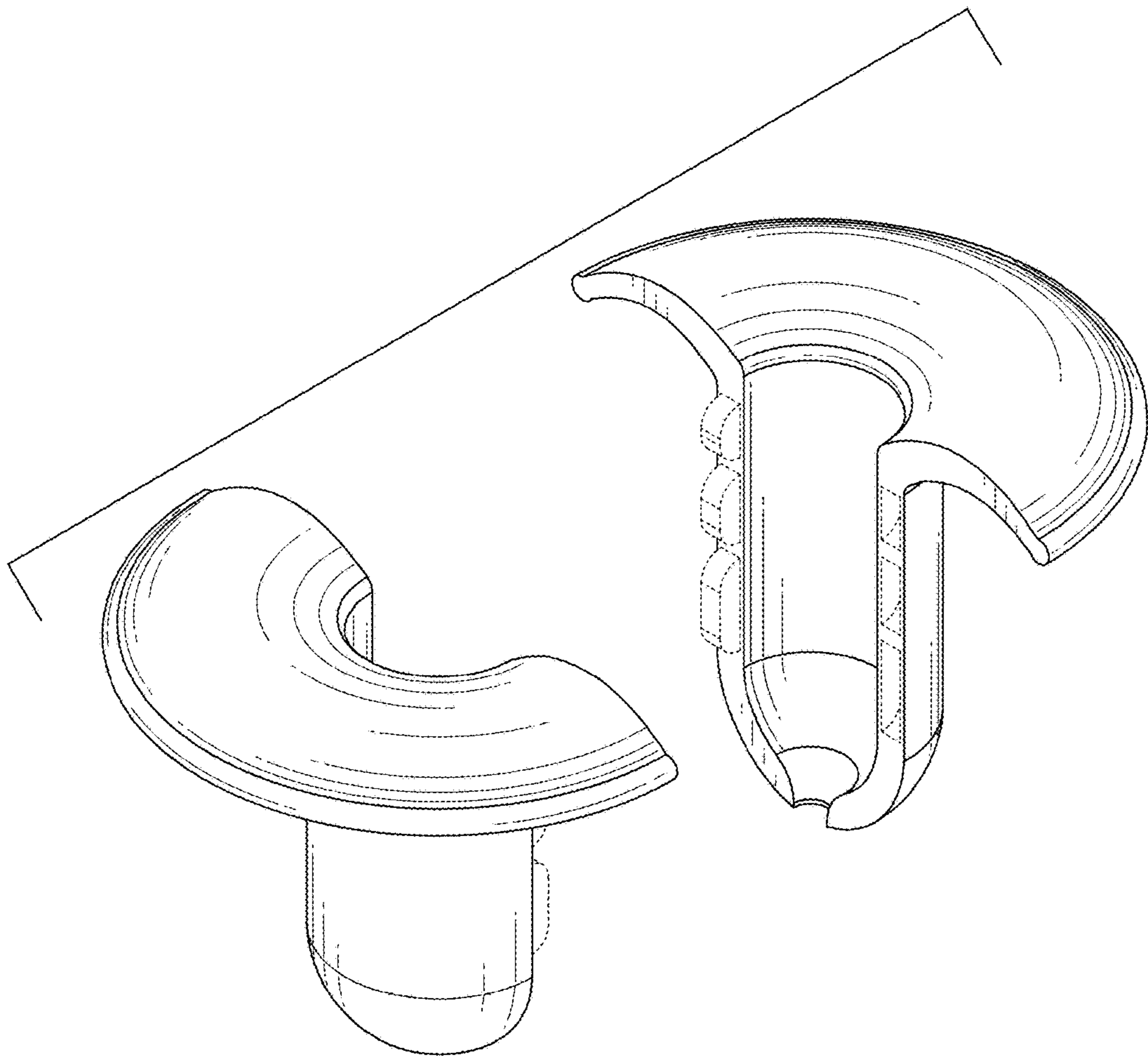


FIG. 3

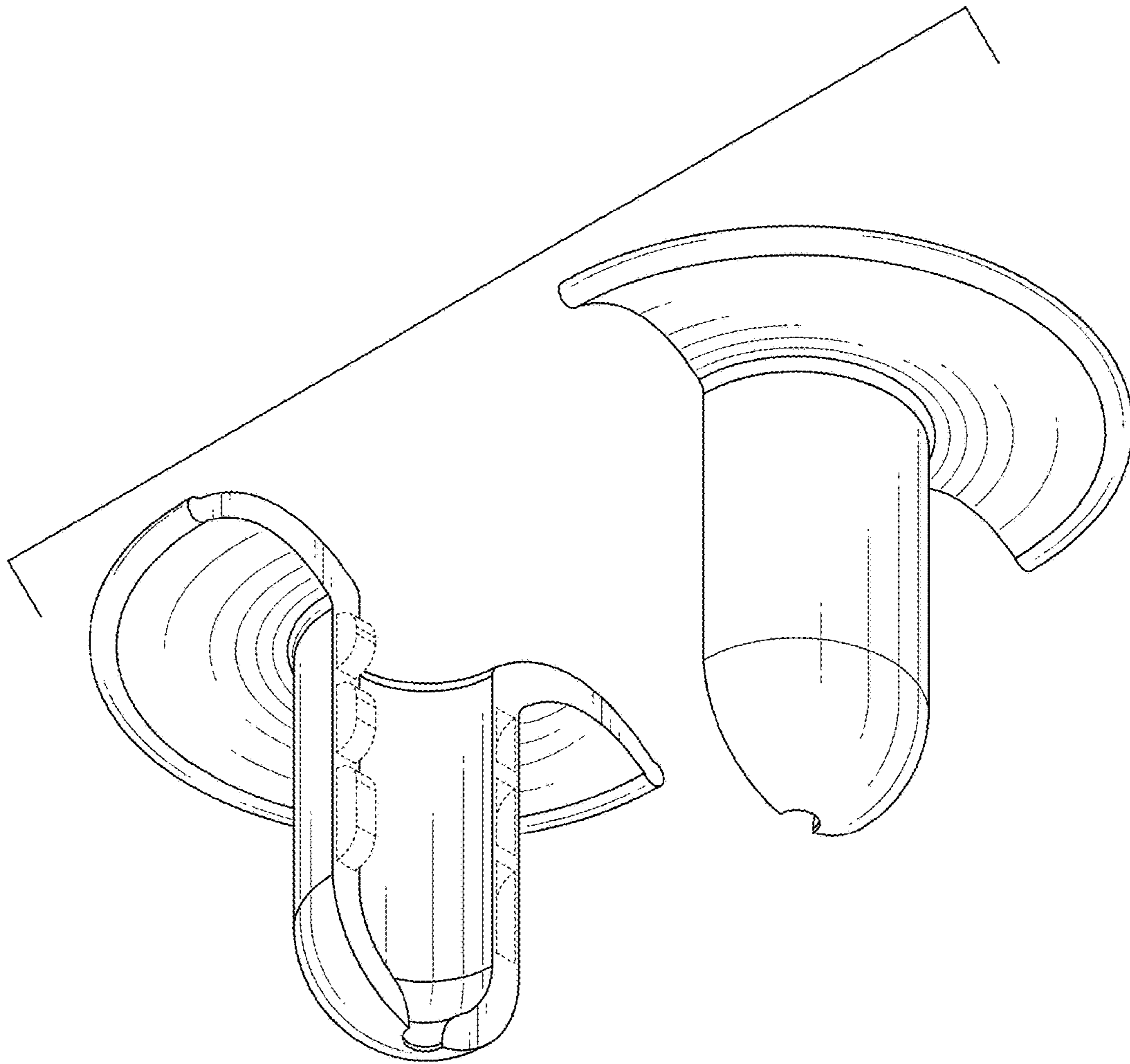


FIG. 4

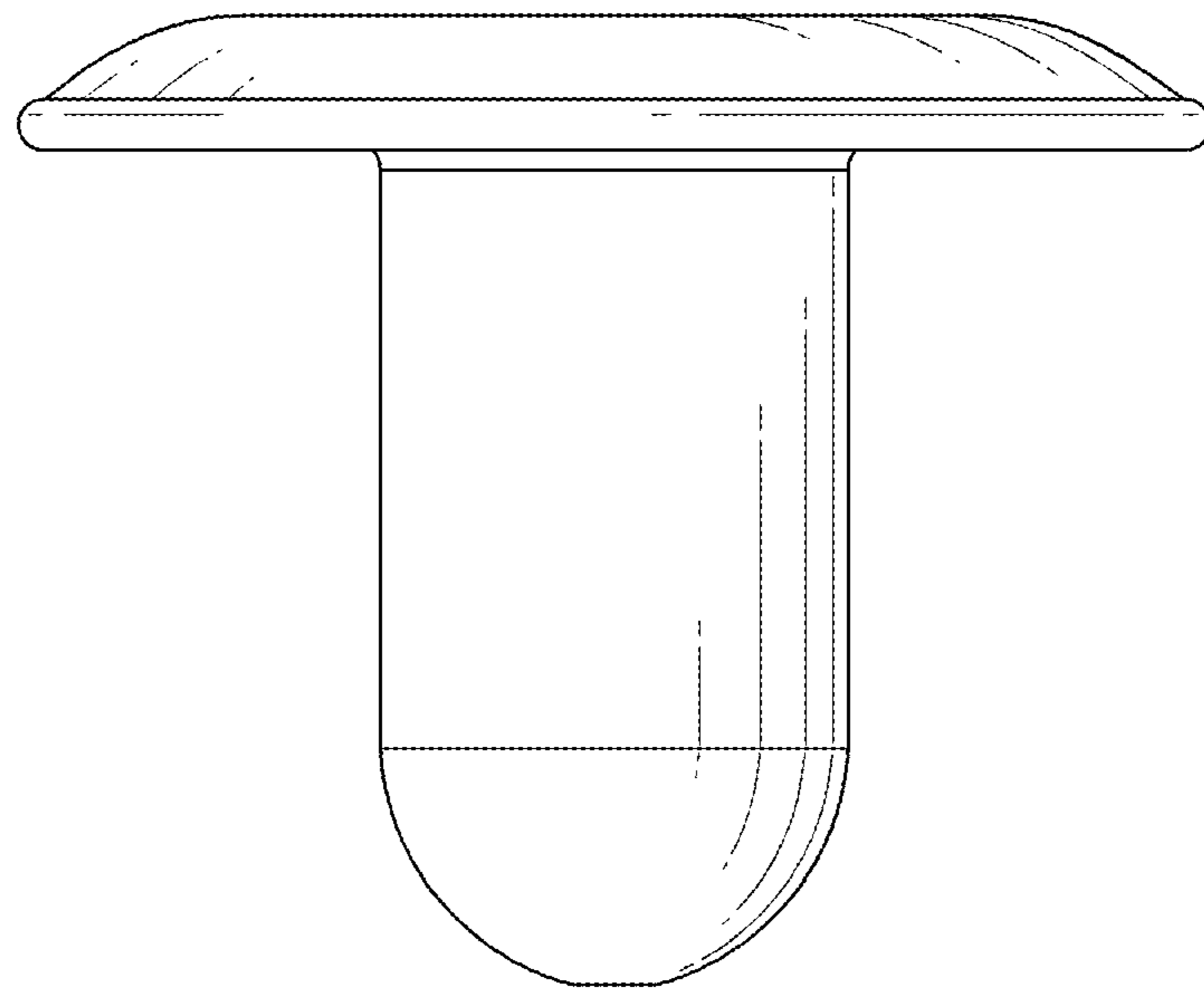


FIG. 5

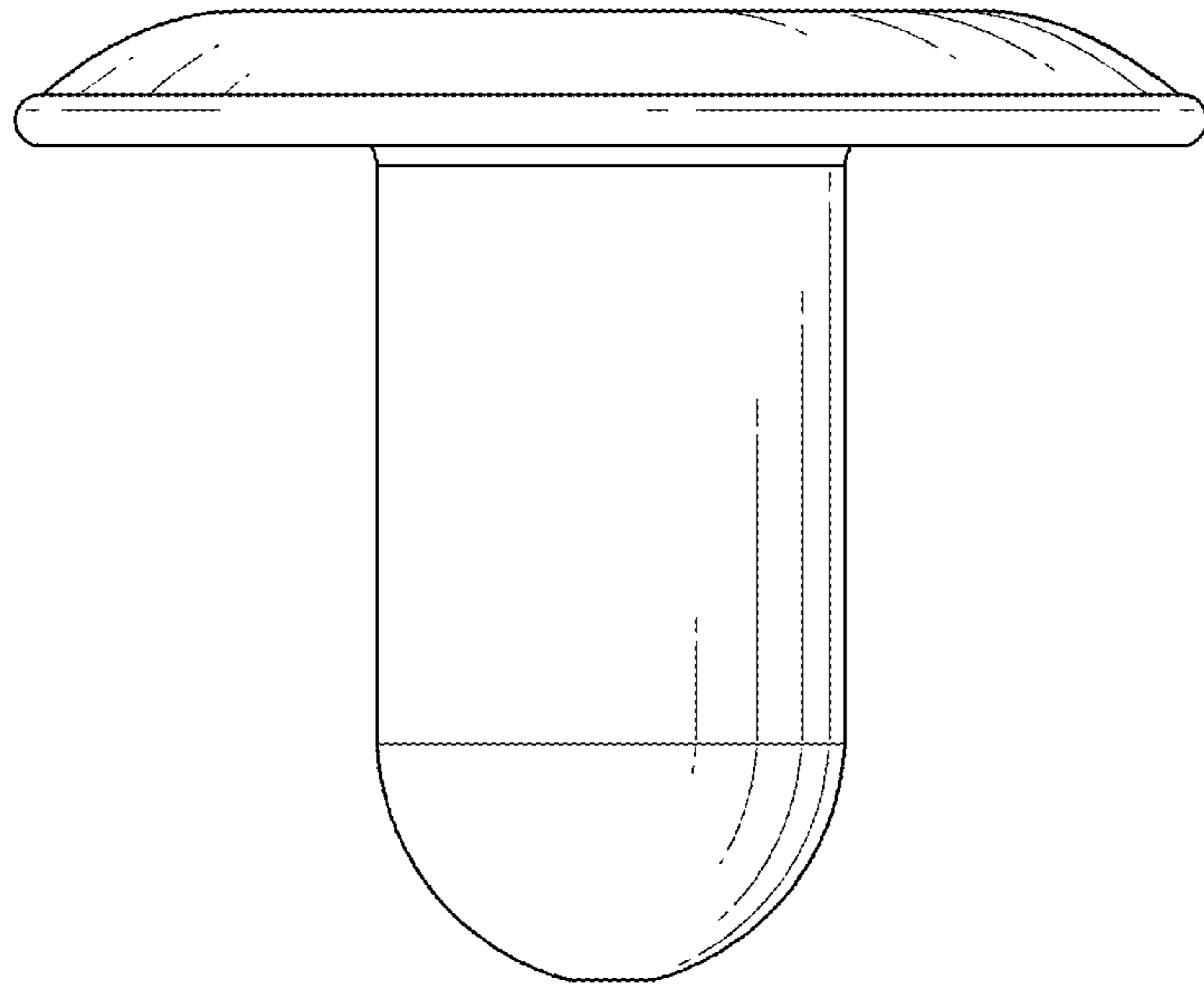


FIG. 6

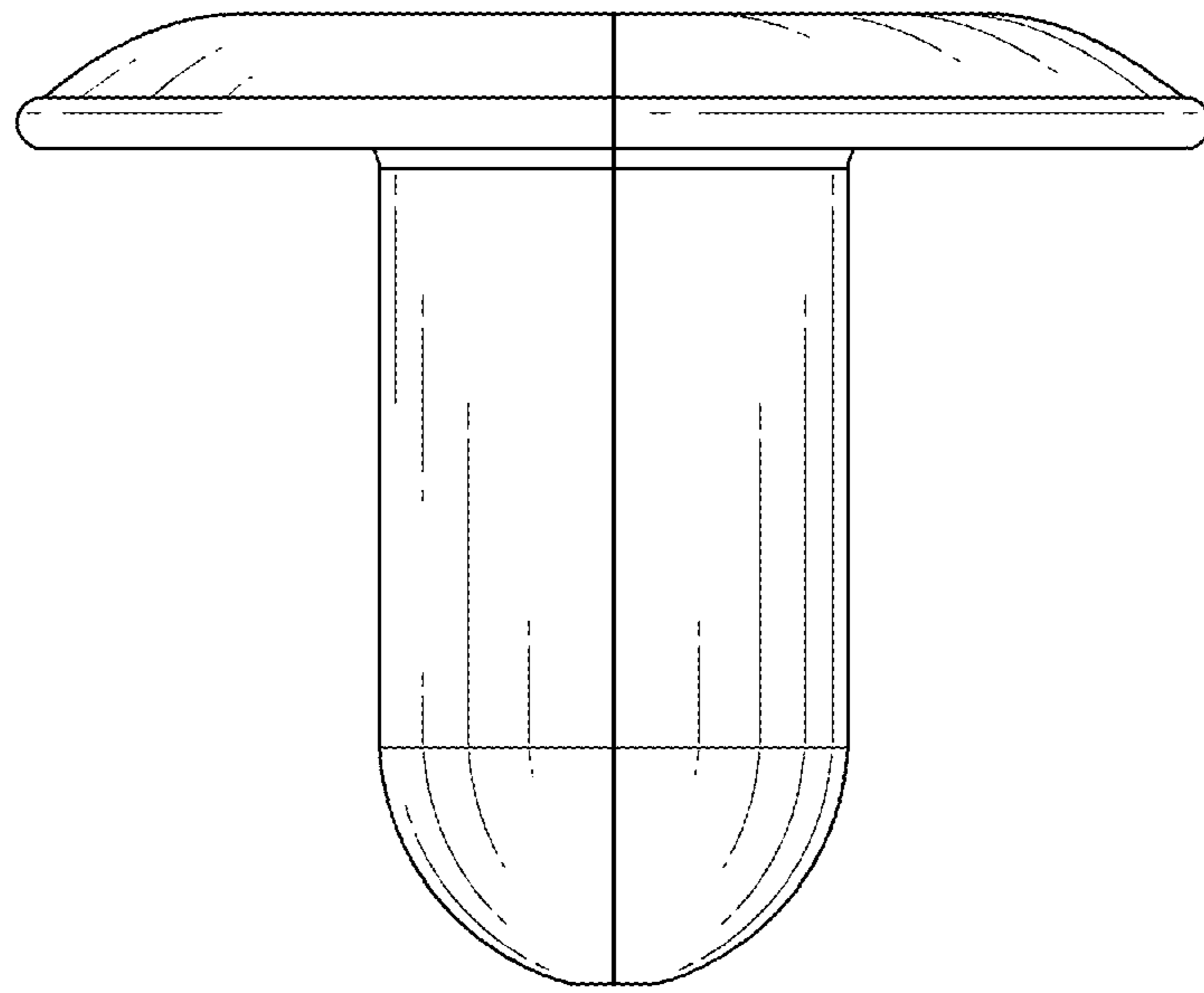


FIG. 7

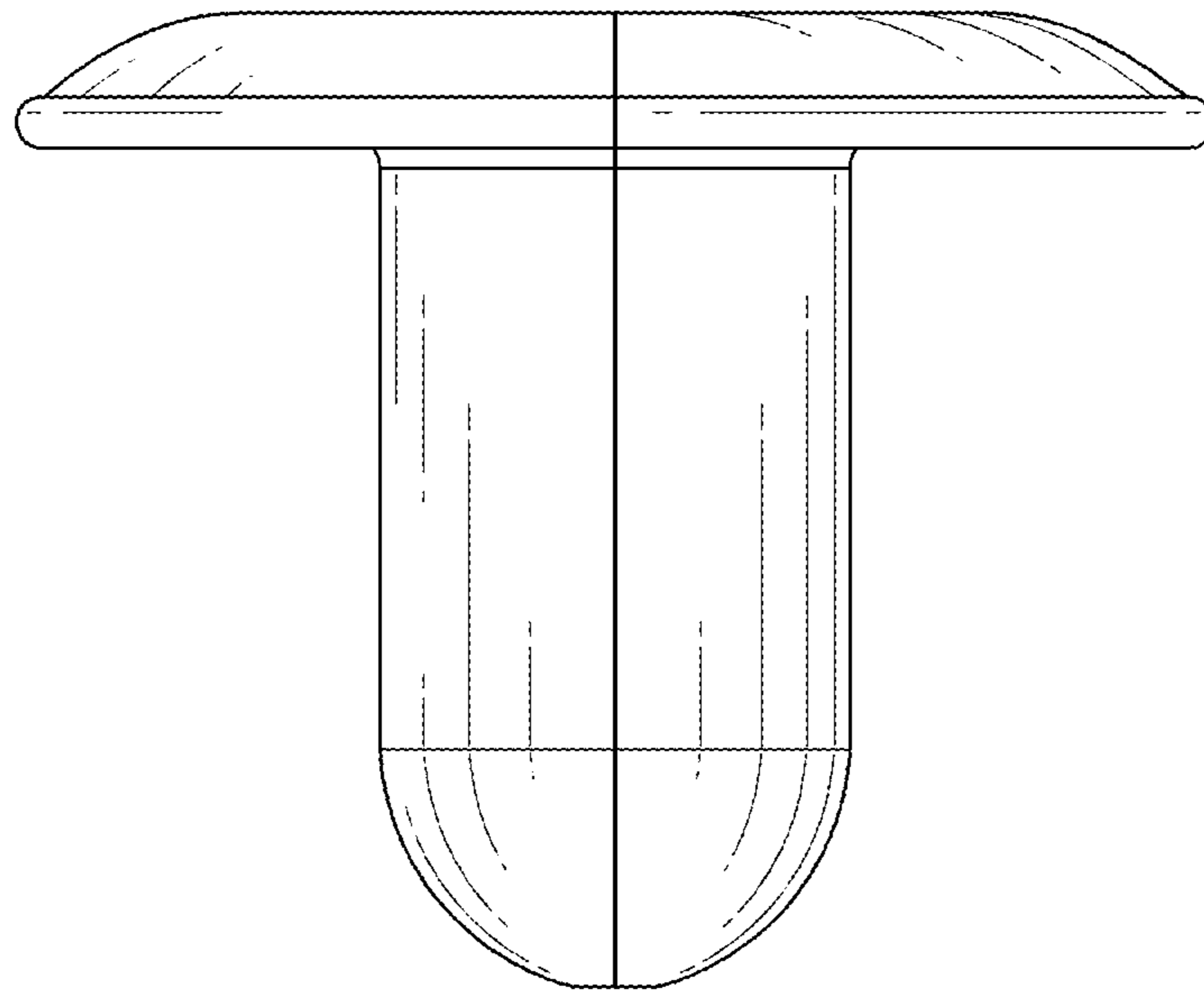


FIG. 8

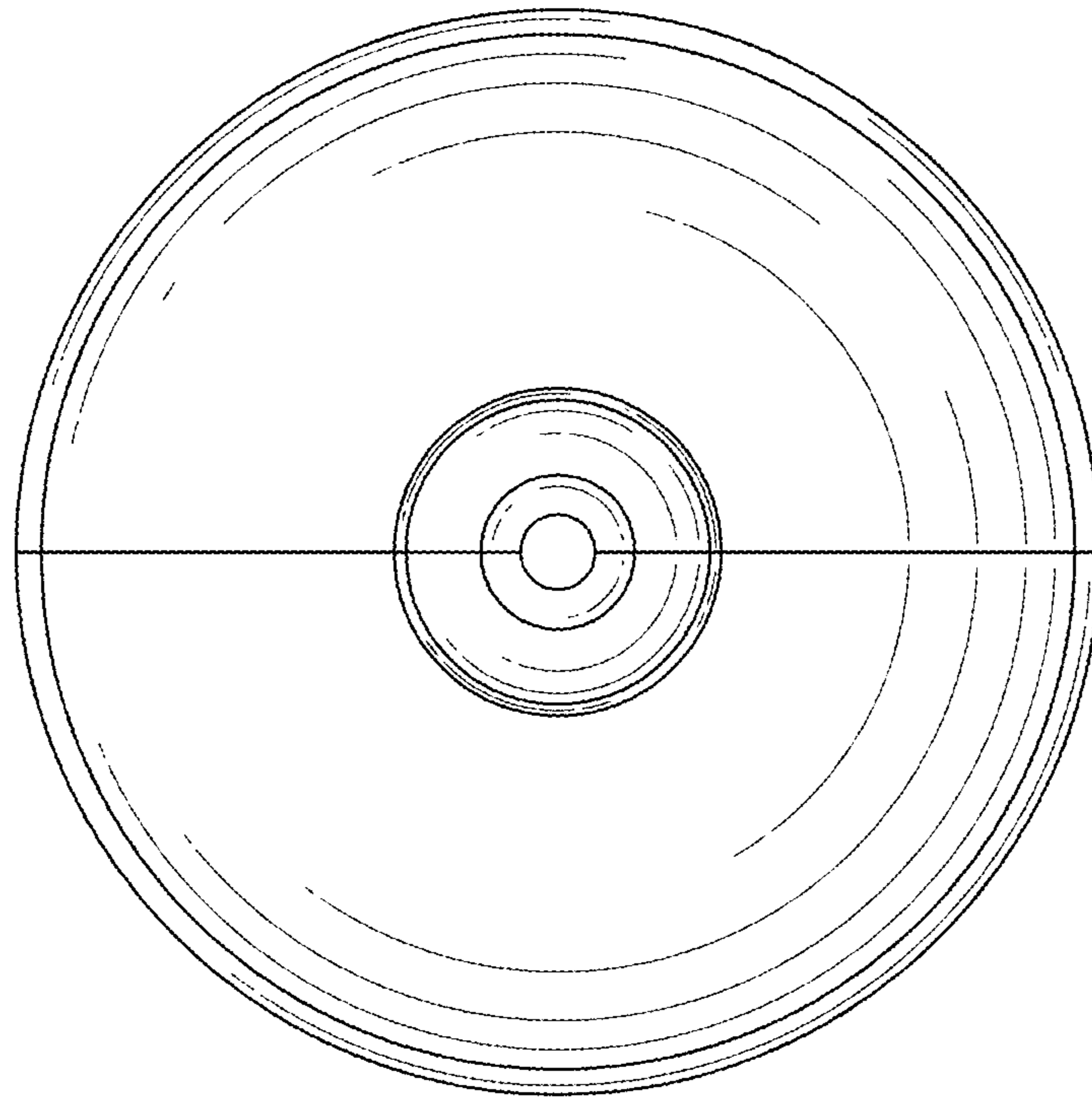


FIG. 9

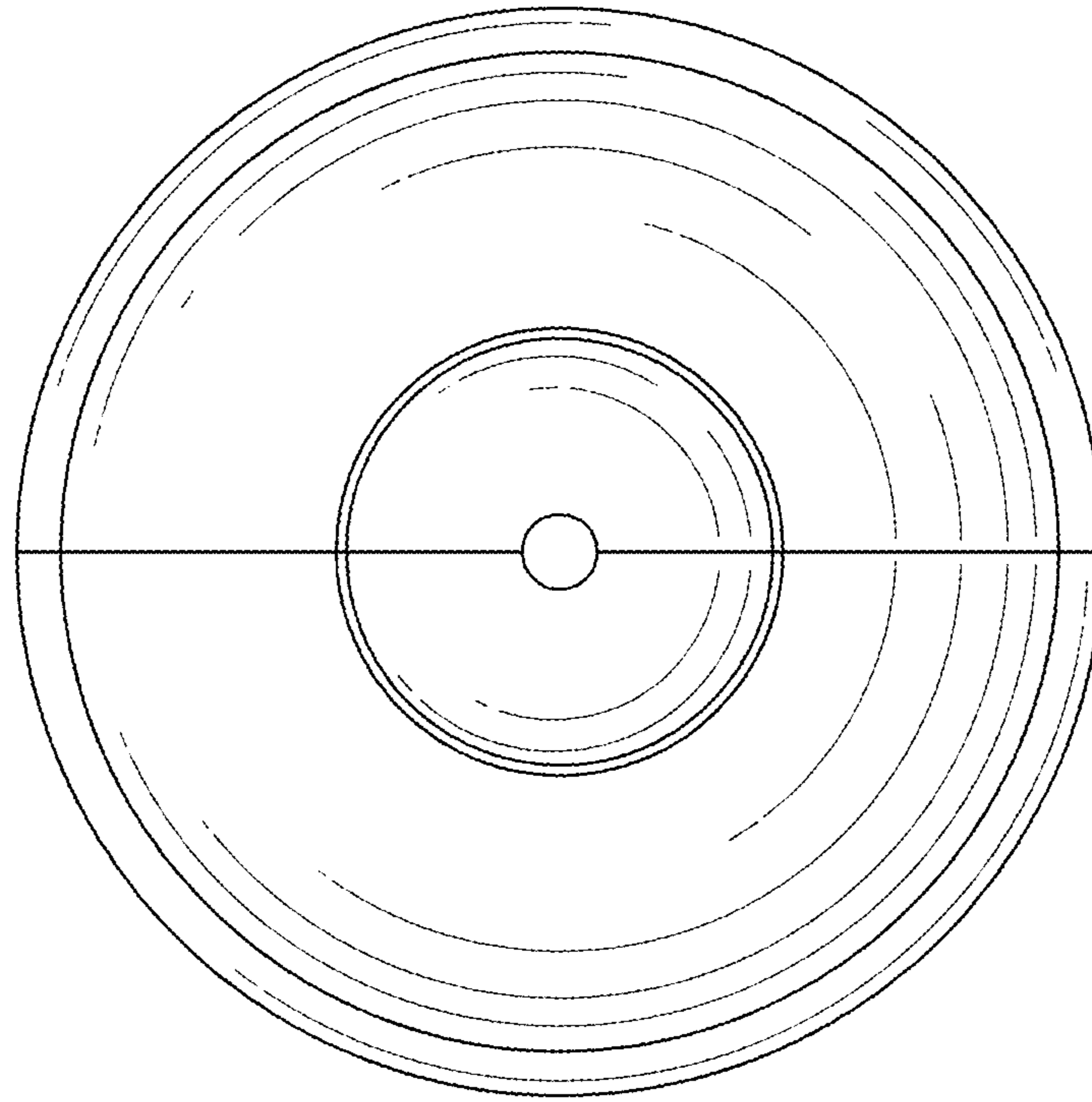


FIG. 10