



US00D845476S

(12) **United States Design Patent** (10) **Patent No.:** **US D845,476 S**
Evans et al. (45) **Date of Patent:** **** Apr. 9, 2019**

(54) **FINGER FLANGE** 4,890,626 A 1/1990 Wang
5,135,511 A 8/1992 Houghton et al.
(71) Applicant: **West Pharmaceutical Services, Inc.,** 5,282,792 A 2/1994 Imbert
Exton, PA (US) 5,338,309 A 8/1994 Imbert
5,358,497 A 10/1994 Dorsey et al.
(72) Inventors: **Christopher Evans,** Long Valley, NJ D372,089 S 7/1996 Sheu
(US); **Brian Costello,** Whitehouse 5,554,133 A 9/1996 Haffner et al.
Station, NJ (US) 5,607,399 A 3/1997 Grimard et al.
5,667,495 A 9/1997 Bitdinger et al.
(Continued)

(73) Assignee: **West Pharmaceutical Services, Inc.,**
Exton, PA (US)

(**) Term: **15 Years**

(21) Appl. No.: **29/635,316**

(22) Filed: **Jan. 30, 2018**

Related U.S. Application Data

(62) Division of application No. 29/527,256, filed on May 18, 2015, now Pat. No. Des. 812,223.

(51) **LOC (11) Cl.** **24-02**

(52) **U.S. Cl.**
USPC **D24/130**

(58) **Field of Classification Search**
USPC D24/127-131, 112-114, 133, 186;
606/181, 185; 604/264, 523-528, 272,
604/187, 158, 164.01-164.11, 181, 184,
604/227, 220; 600/101, 139, 143;
128/200.24, 207.14, 207.15
CPC A61M 5/178; A61M 3/00; A61M 5/20;
A61M 5/31; A61M 5/3146; A61M
5/3129; A61M 5/3148; A61M 5/315
See application file for complete search history.

(56) **References Cited**

U.S. PATENT DOCUMENTS

3,325,061 A 6/1967 Ellsworth
4,610,672 A 9/1986 Ewalt et al.
D293,130 S 12/1987 Ashie et al.
4,711,637 A 12/1987 Leigh et al.

FOREIGN PATENT DOCUMENTS

WO 2014/025564 A1 2/2014

OTHER PUBLICATIONS

Office Action dated Oct. 6, 2016 in U.S. Appl. No. 29/534,399 by Davis.

(Continued)

Primary Examiner — David G Muller
(74) *Attorney, Agent, or Firm* — Panitch Schwarze
Belisario & Nadel LLP

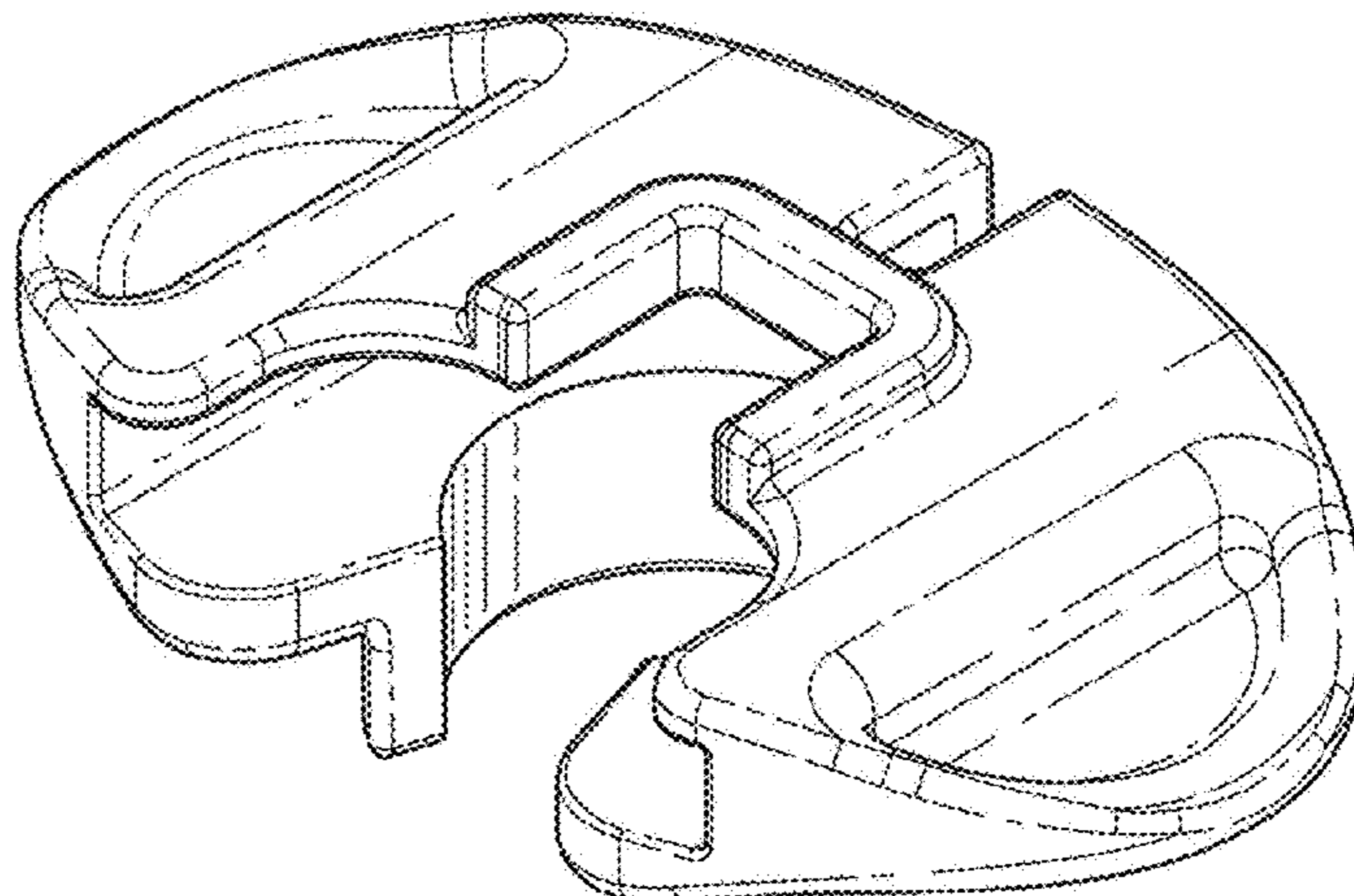
(57) **CLAIM**

The ornamental design for a finger flange, as shown and described.

DESCRIPTION

FIG. 1 is a bottom and rear perspective view of a finger flange in accordance with a first preferred embodiment of my design;
FIG. 2 is a rear elevational view thereof;
FIG. 3 is a front elevational view thereof;
FIG. 4 is a bottom plan view thereof;
FIG. 5 is a top plan view thereof;
FIG. 6 is a left side elevational view thereof; and,
FIG. 7 is a right side elevational view thereof.
The broken lines in the figures show portions of the finger flange that form no part of the claimed design.

1 Claim, 4 Drawing Sheets



(56)

References Cited

U.S. PATENT DOCUMENTS

5,700,247 A 12/1997 Grimard et al.
 D397,790 S 9/1998 Naganuma
 5,803,918 A 9/1998 Vetter et al.
 5,897,532 A 4/1999 Spallek et al.
 5,997,514 A 12/1999 Balestracci
 D425,198 S 5/2000 Porta
 D434,850 S 12/2000 Balestracci
 7,223,259 B2 5/2007 Marshall et al.
 7,361,162 B2 4/2008 Koller et al.
 D576,276 S 9/2008 Osypka
 D581,527 S 11/2008 Jansen
 7,488,307 B2 2/2009 Rimlinger et al.
 8,016,795 B2 9/2011 Barrelle et al.
 8,075,535 B2 12/2011 Carrel et al.
 8,137,324 B2 3/2012 Bobst
 D660,418 S 5/2012 Kuczek et al.
 D668,760 S 10/2012 Kawamura
 D675,317 S 1/2013 Baxter et al.
 8,608,693 B2 12/2013 Westbye
 8,739,796 B2 6/2014 Kiernan et al.
 D710,005 S 7/2014 Kawamura
 8,887,729 B2 11/2014 Harrington
 8,920,385 B2 12/2014 Dowds
 D747,796 S 1/2016 Romao
 D751,705 S 3/2016 Hitscherich, Jr. et al.

D790,691 S * 6/2017 Davis D24/130
 D793,552 S * 8/2017 Schiller A61M 5/3137
 D24/130
 D794,185 S * 8/2017 Dolk D24/130
 D794,187 S * 8/2017 Dolk D24/130
 D796,670 S * 9/2017 Dolk D24/130
 D797,282 S * 9/2017 Dolk D24/130
 D798,444 S * 9/2017 Darras D24/130
 D799,034 S * 10/2017 Nguyen D24/130
 D800,900 S * 10/2017 Darras D24/130
 D804,663 S * 12/2017 Jenkins D24/130
 D812,223 S * 3/2018 Evans D24/130
 D814,026 S * 3/2018 Darras D24/130
 D815,279 S * 4/2018 Darras D24/130
 2002/0198499 A1 12/2002 Hu
 2004/0167476 A1 8/2004 Westbye
 2004/0254539 A1 12/2004 Wolbring et al.
 2013/0178737 A1 7/2013 Anelli et al.

OTHER PUBLICATIONS

“British Registration for an Auxiliary Finger Flange for a Syringe”,
 RGN 2064934, Seikagaku Kogyo Kabushiki Kaisha, 2 pages (Apr.
 14, 1997).
 Notice of Allowance dated Mar. 9, 2017 in U.S. Appl. No. 29/534,399,
 by Davis.

* cited by examiner

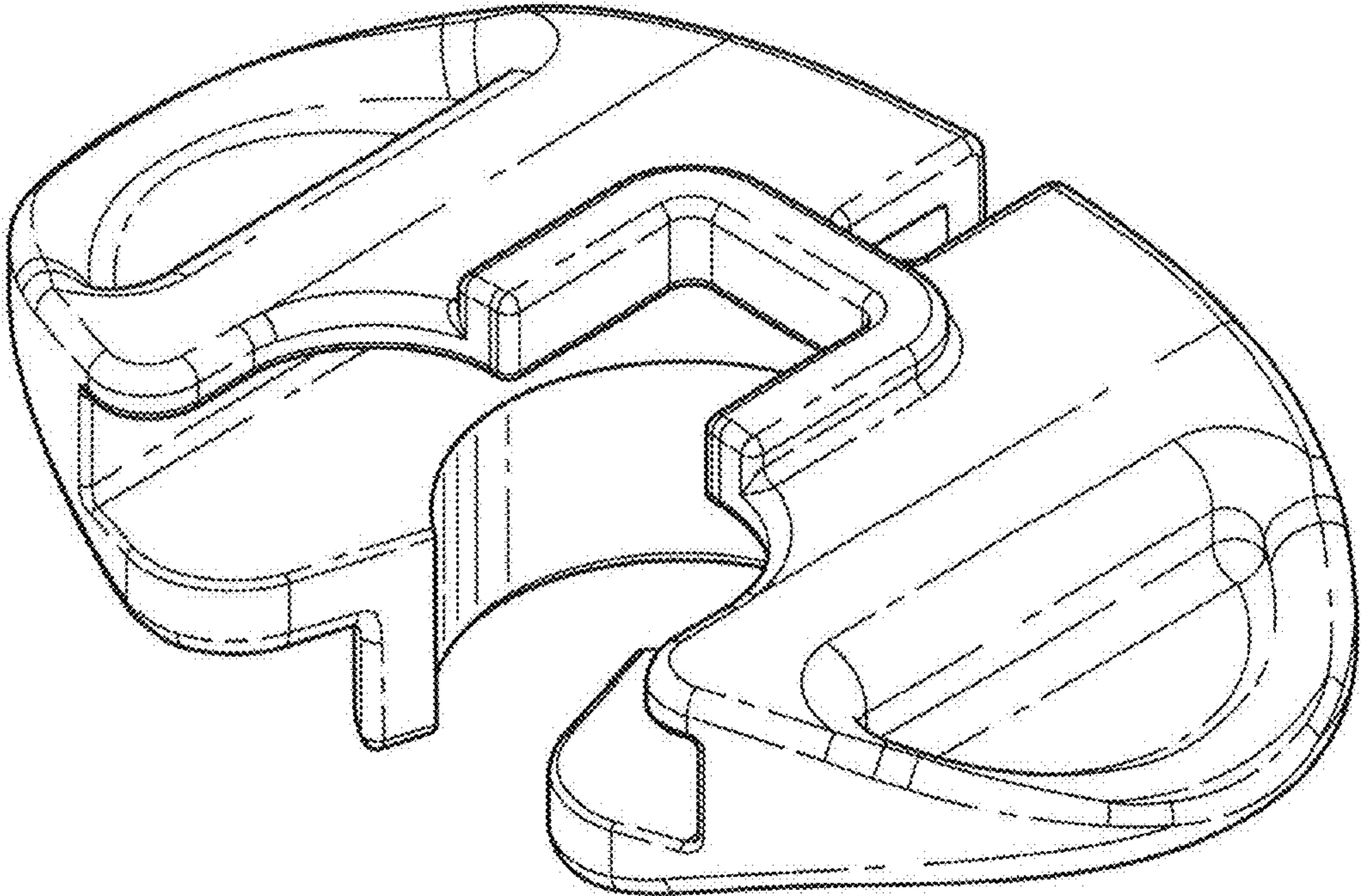


FIG. 1

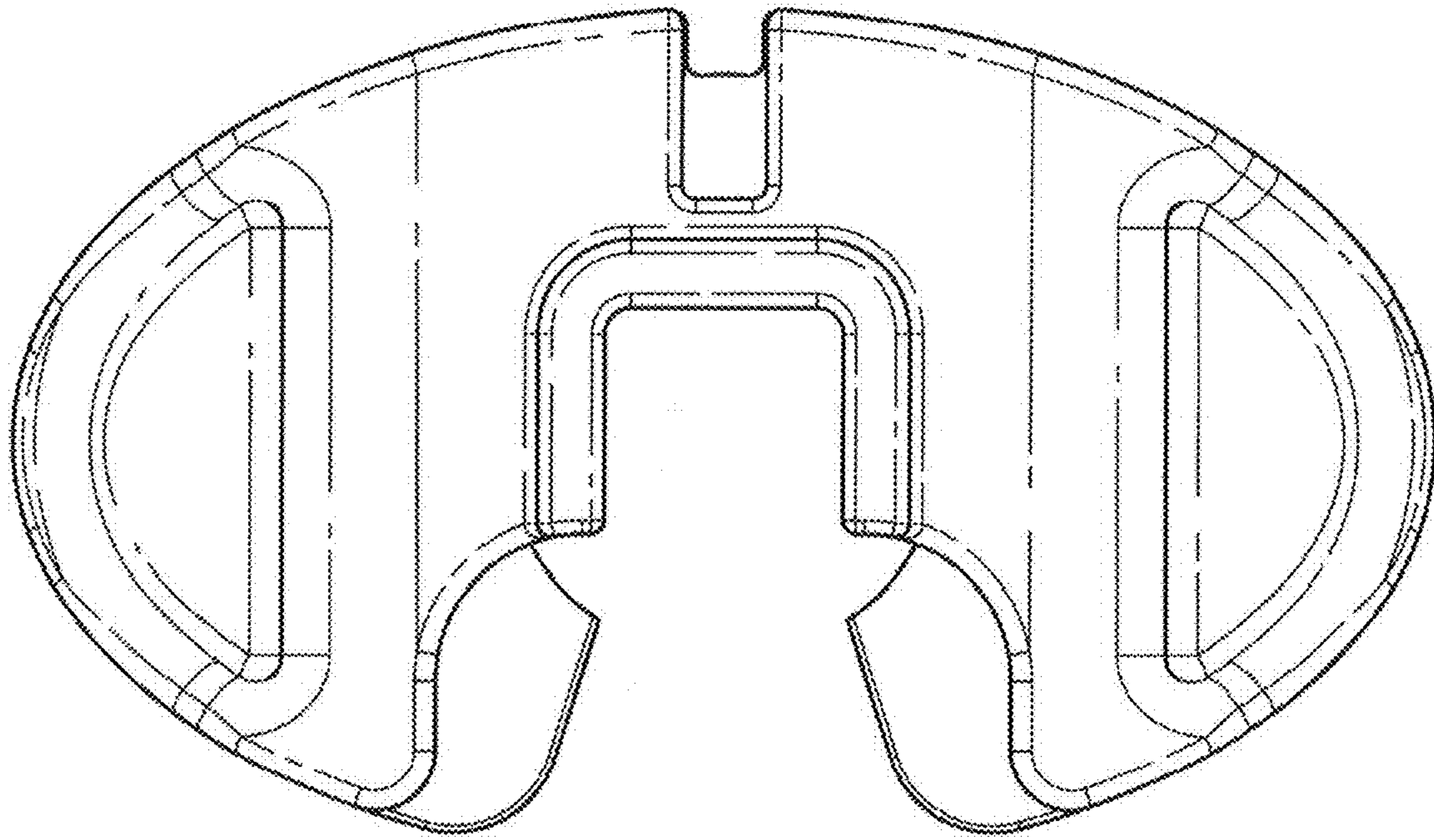


FIG. 2

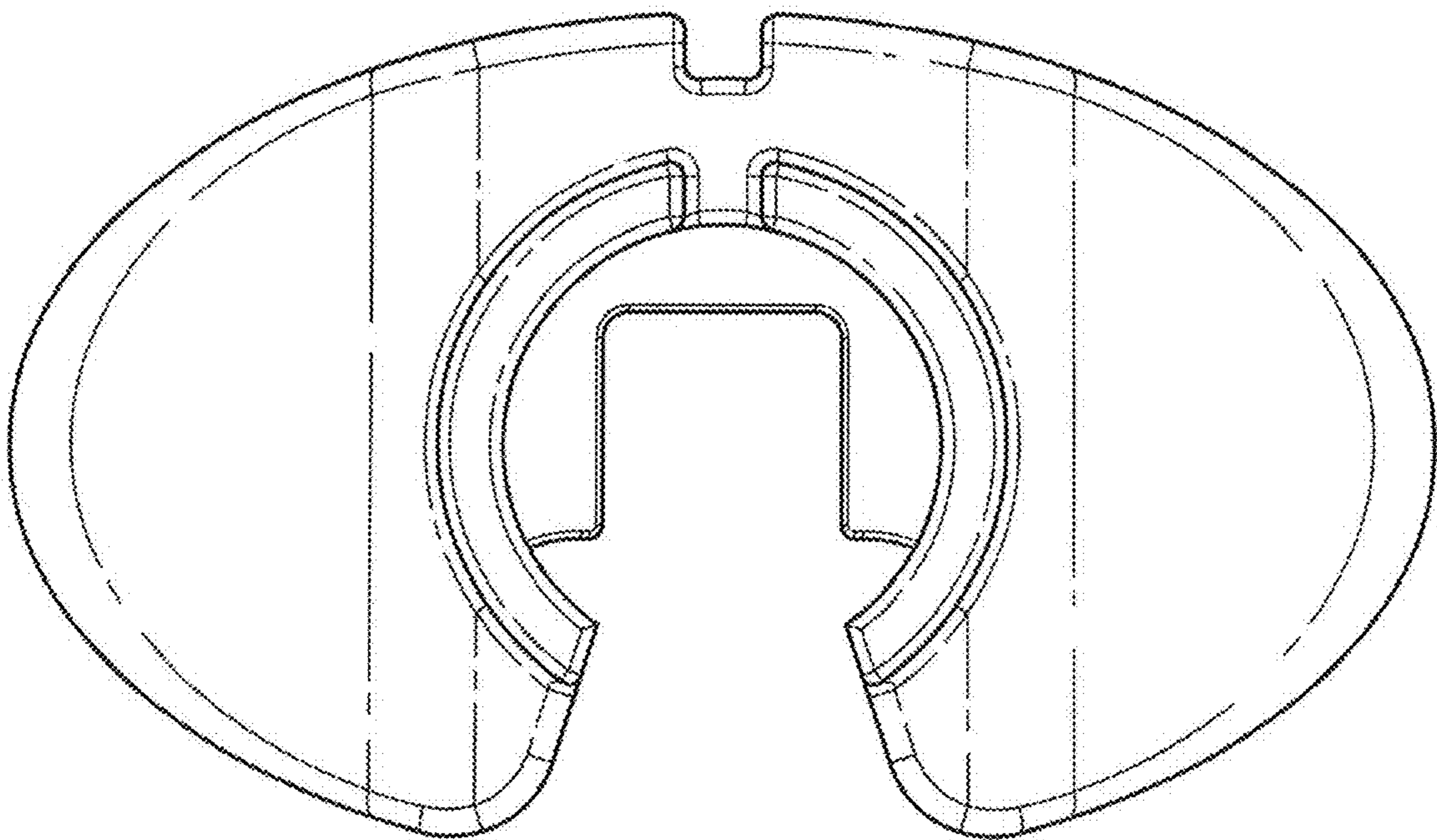


FIG. 3

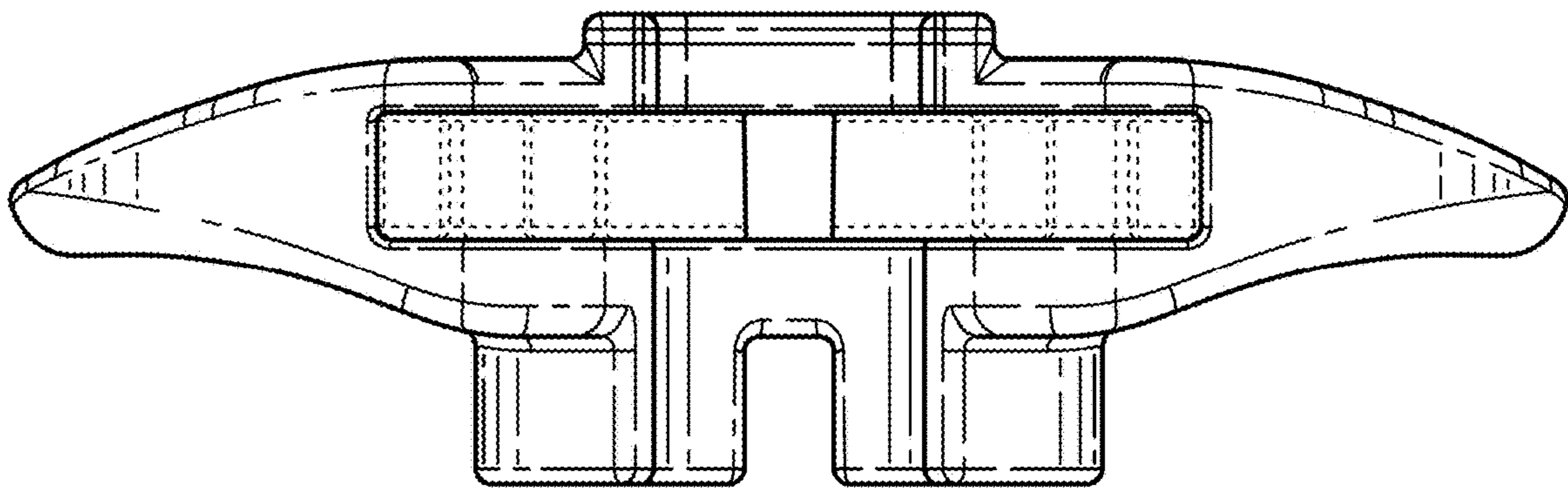


FIG. 4

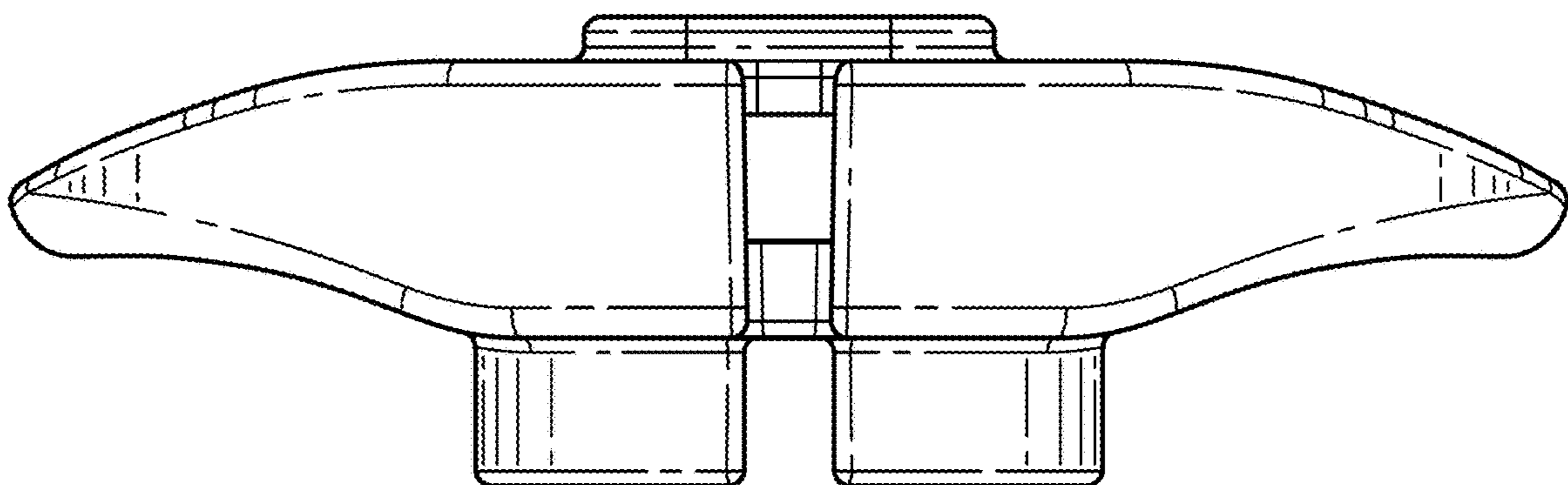


FIG. 5

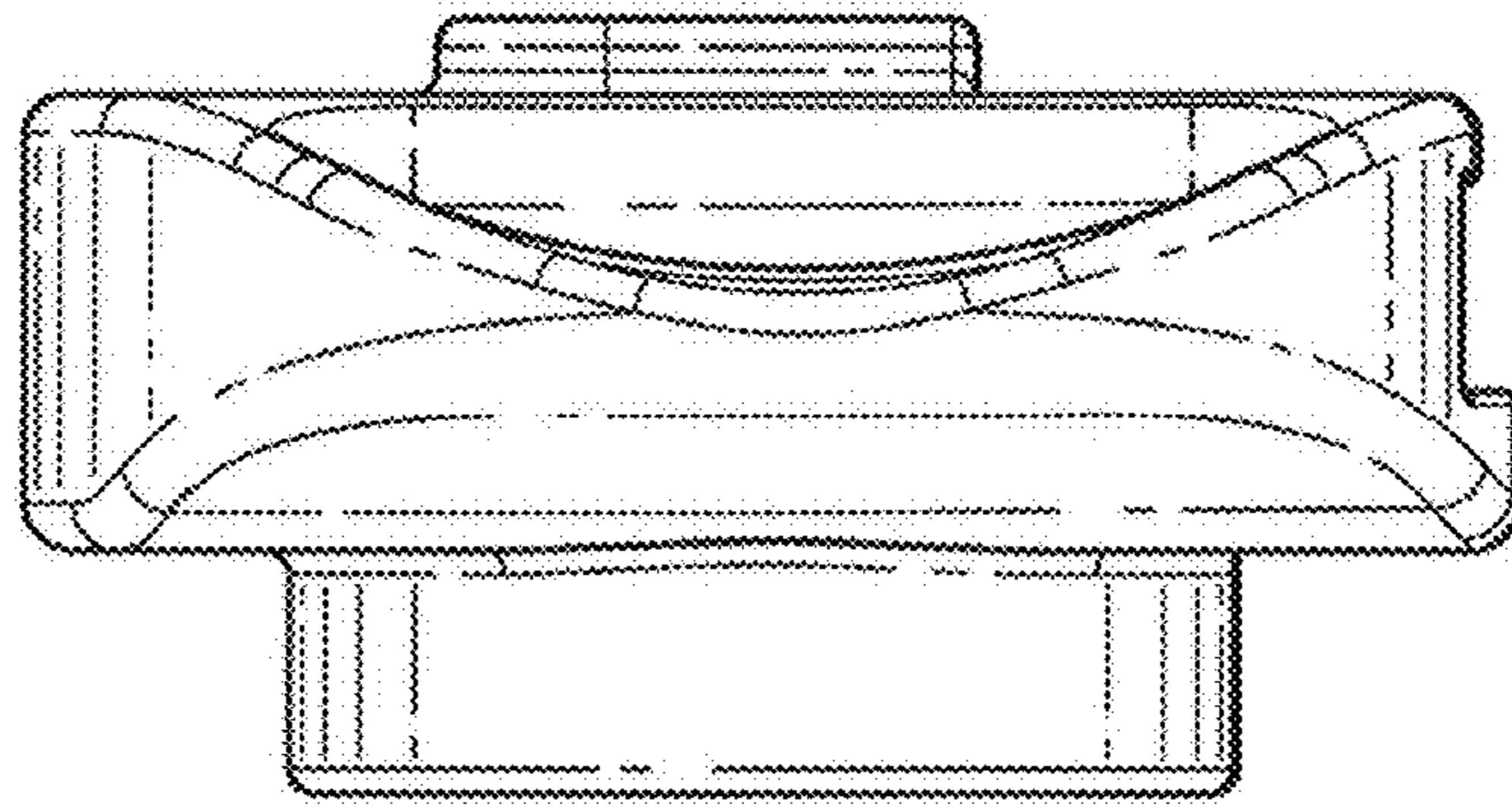


FIG. 6

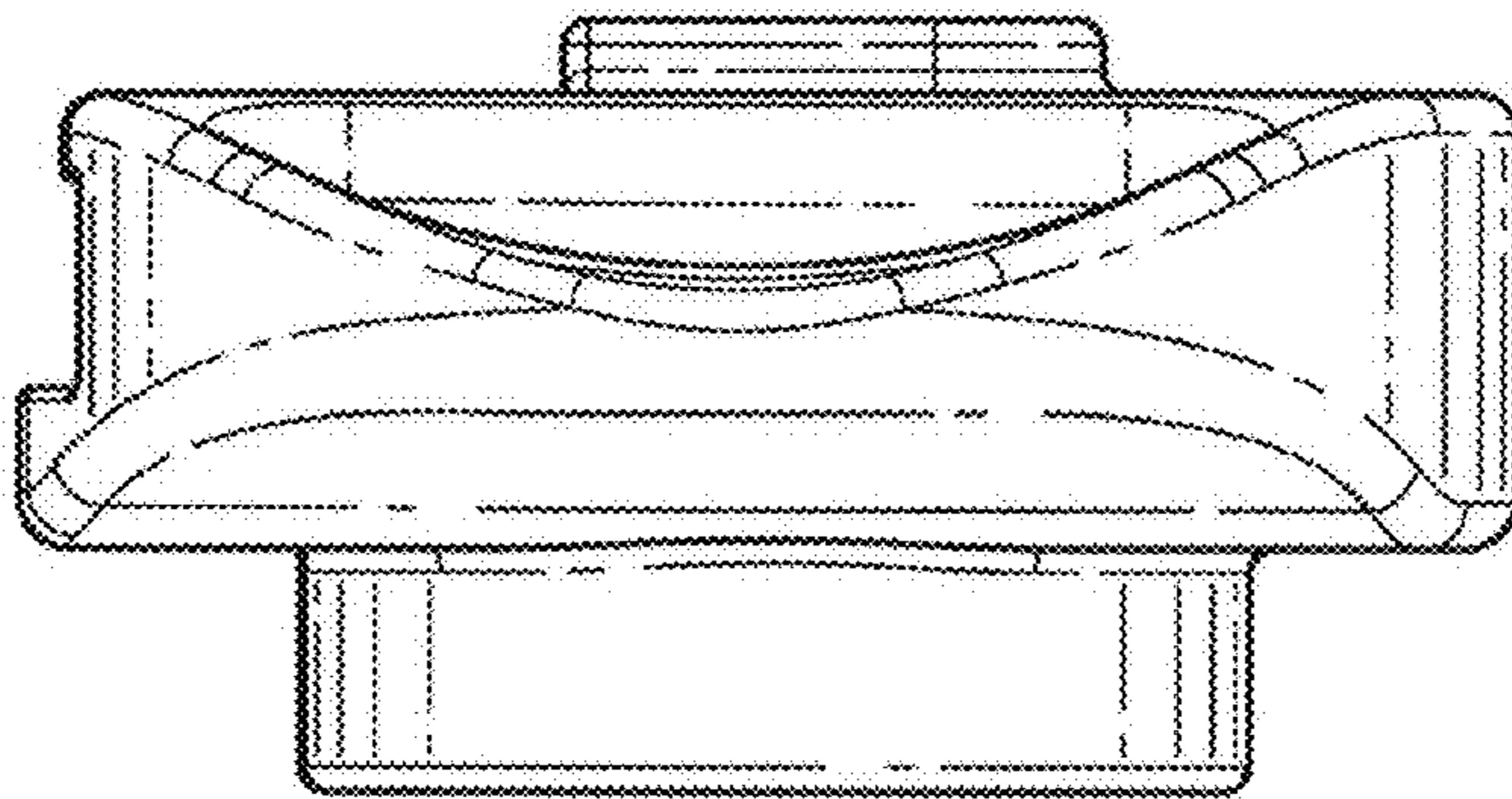


FIG. 7