



US00D845472S

(12) **United States Design Patent** (10) **Patent No.:** **US D845,472 S**
Evans (45) **Date of Patent:** **** Apr. 9, 2019**

(54) **MEDICINE VIAL PROTECTOR**
(71) Applicant: **Richard O. Evans**, Nibley, UT (US)
(72) Inventor: **Richard O. Evans**, Nibley, UT (US)
(73) Assignee: **Richard O. Evans**, Nibley, UT (US)
(**) Term: **15 Years**

D608,885 S * 1/2010 Sneddon D24/127
D695,892 S * 12/2013 Cappello D24/113
D727,494 S * 4/2015 Logue D24/121
D747,147 S * 1/2016 Sanbar D7/510
D755,957 S * 5/2016 Larson D24/121
D759,432 S * 6/2016 Harris D7/510
D760,489 S * 7/2016 De La Torre D3/203.1
D776,291 S * 1/2017 Wan D24/216
D790,726 S * 6/2017 Plante D24/121
D827,152 S * 8/2018 Ou D24/224
D834,883 S * 12/2018 Lane D7/396.2

(21) Appl. No.: **29/641,902**

* cited by examiner

(22) Filed: **Mar. 26, 2018**

Primary Examiner — David G Muller

(51) **LOC (11) Cl.** **24-02**

(52) **U.S. Cl.**

USPC **D24/128**

(58) **Field of Classification Search**

USPC D24/127–131, 121, 112–114, 133, 186;
606/181, 185; 604/264, 523–528, 272,
604/187, 158, 164.01–164.11, 181, 184,
604/227; 600/101, 139, 143;
128/200.24, 207.14, 207.15

CPC A61M 25/00; A61M 39/00; A61M 27/00;
A61M 25/0043; A61M 25/0067; A61M
25/0097; A61F 2/958

See application file for complete search history.

(56) **References Cited**

U.S. PATENT DOCUMENTS

D491,661 S * 6/2004 Ringstrom D24/130
7,431,712 B2 * 10/2008 Kim A61M 5/36
604/256

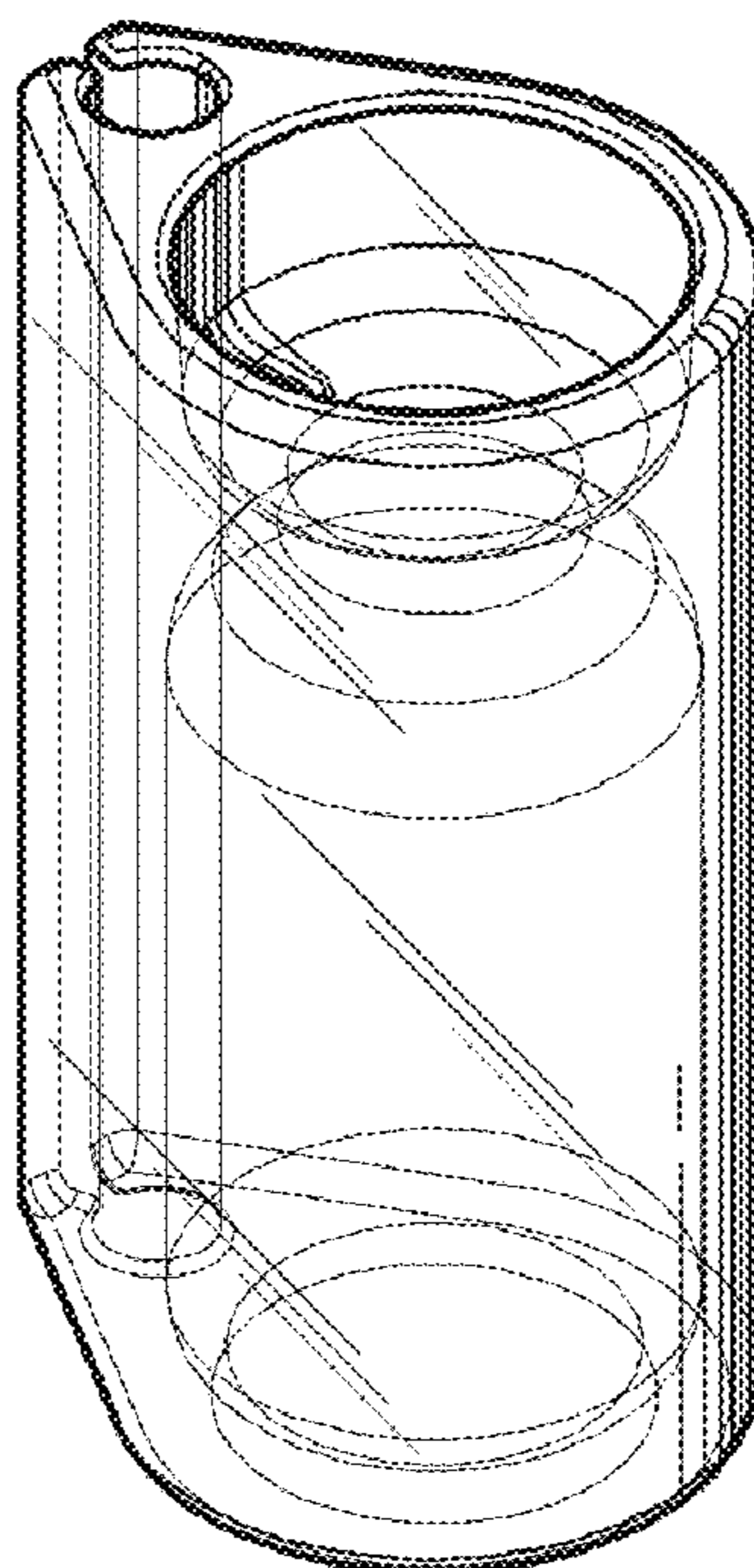
(57) **CLAIM**

The ornamental design for a medicine vial protector, as shown and described.

DESCRIPTION

FIG. 1 is a perspective view of a medicine vial protector showing my new design.
FIG. 2 is a perspective view thereof;
FIG. 3 is a front view thereof;
FIG. 4 is a back view thereof;
FIG. 5 is a left side view thereof;
FIG. 6 is a top view thereof; and,
FIG. 7 is a bottom view thereof.

1 Claim, 4 Drawing Sheets



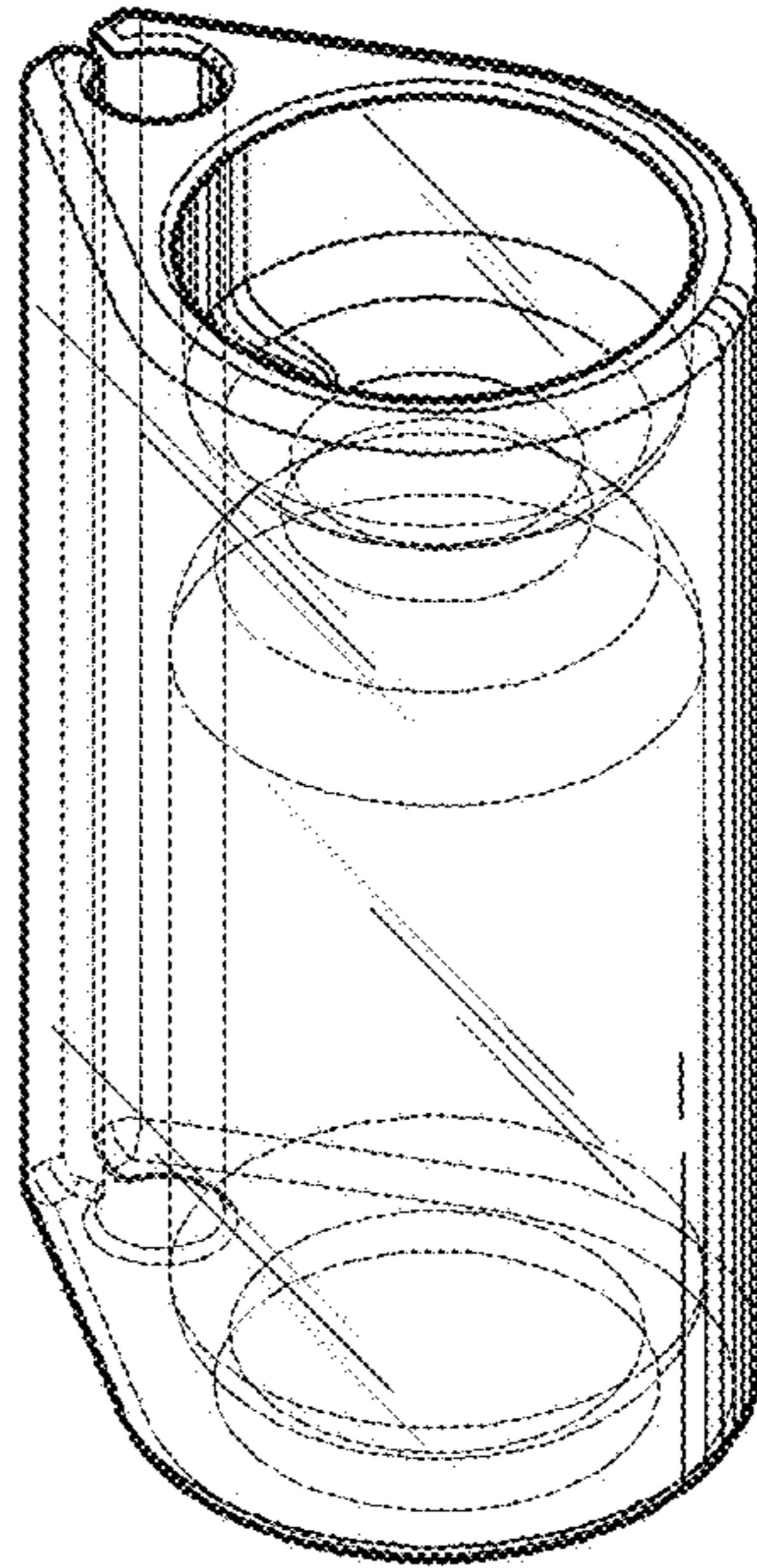


Fig. 1

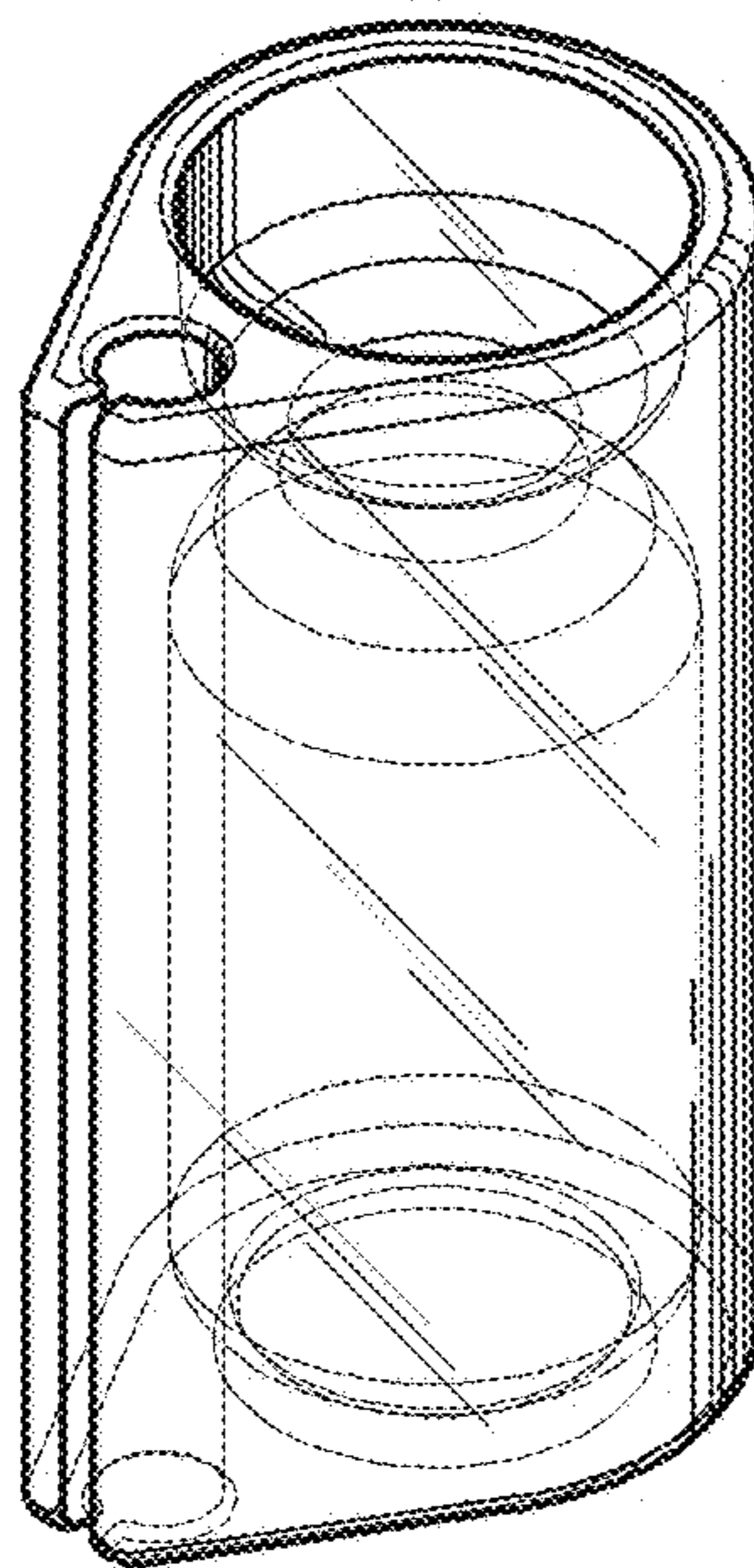


Fig. 2

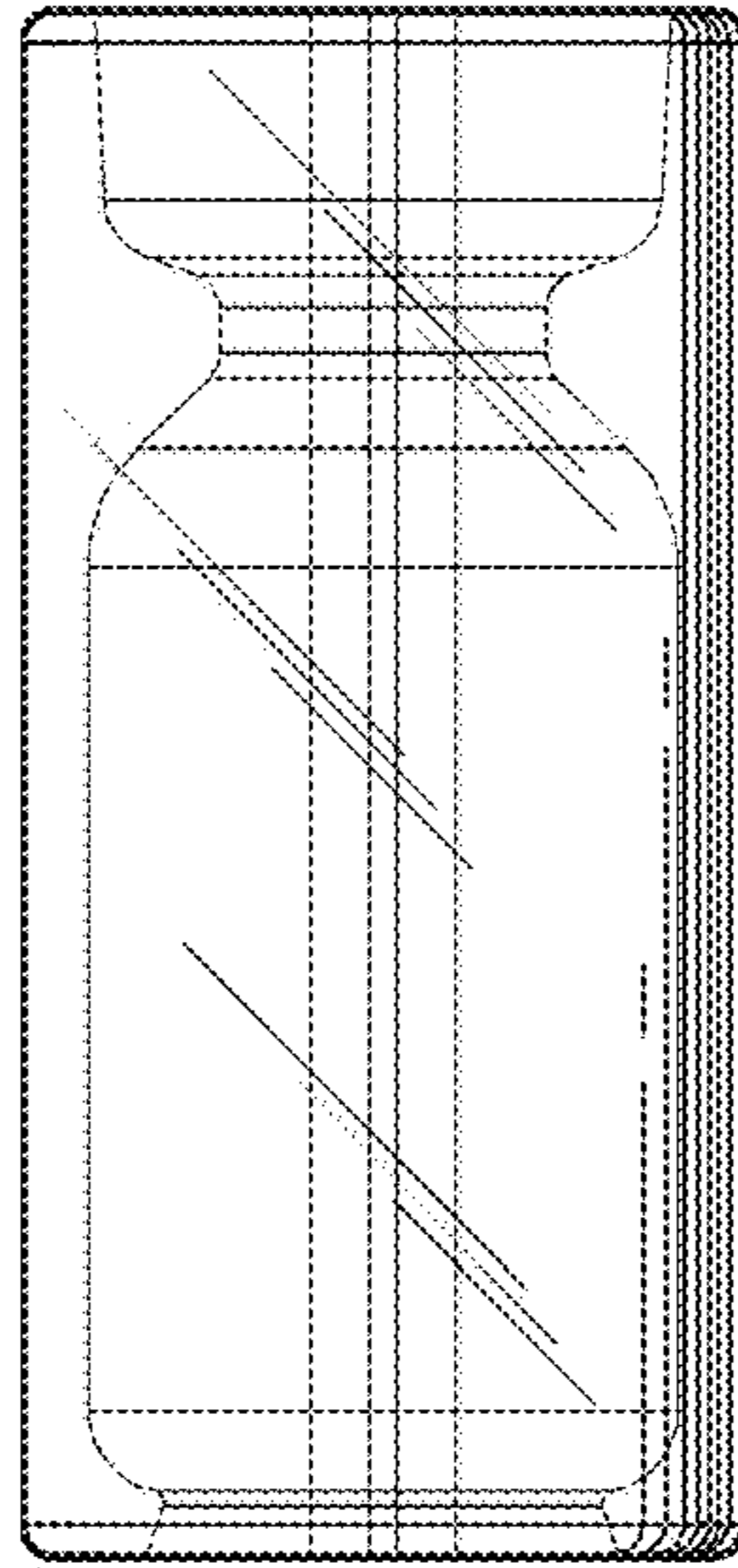


Fig. 3

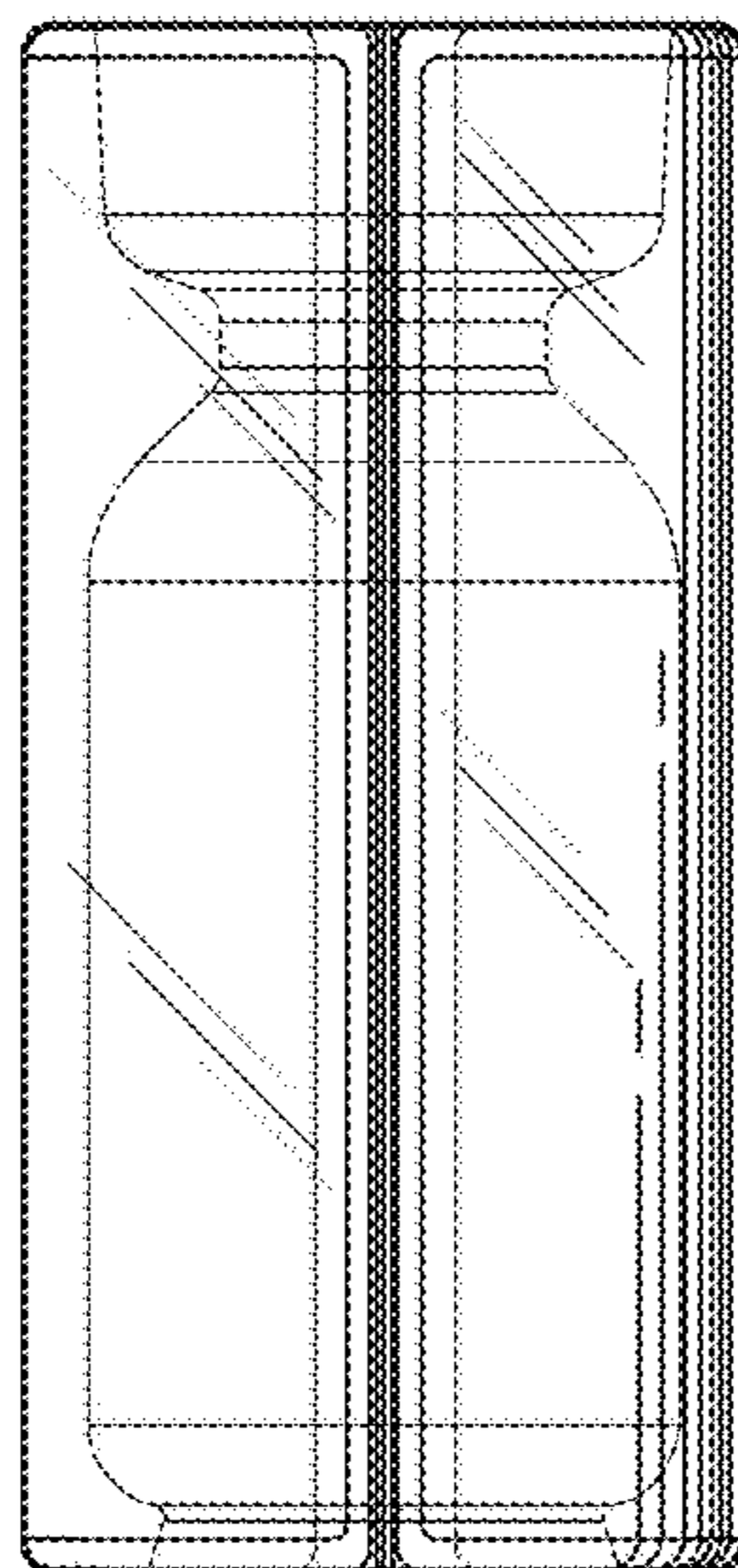


Fig. 4

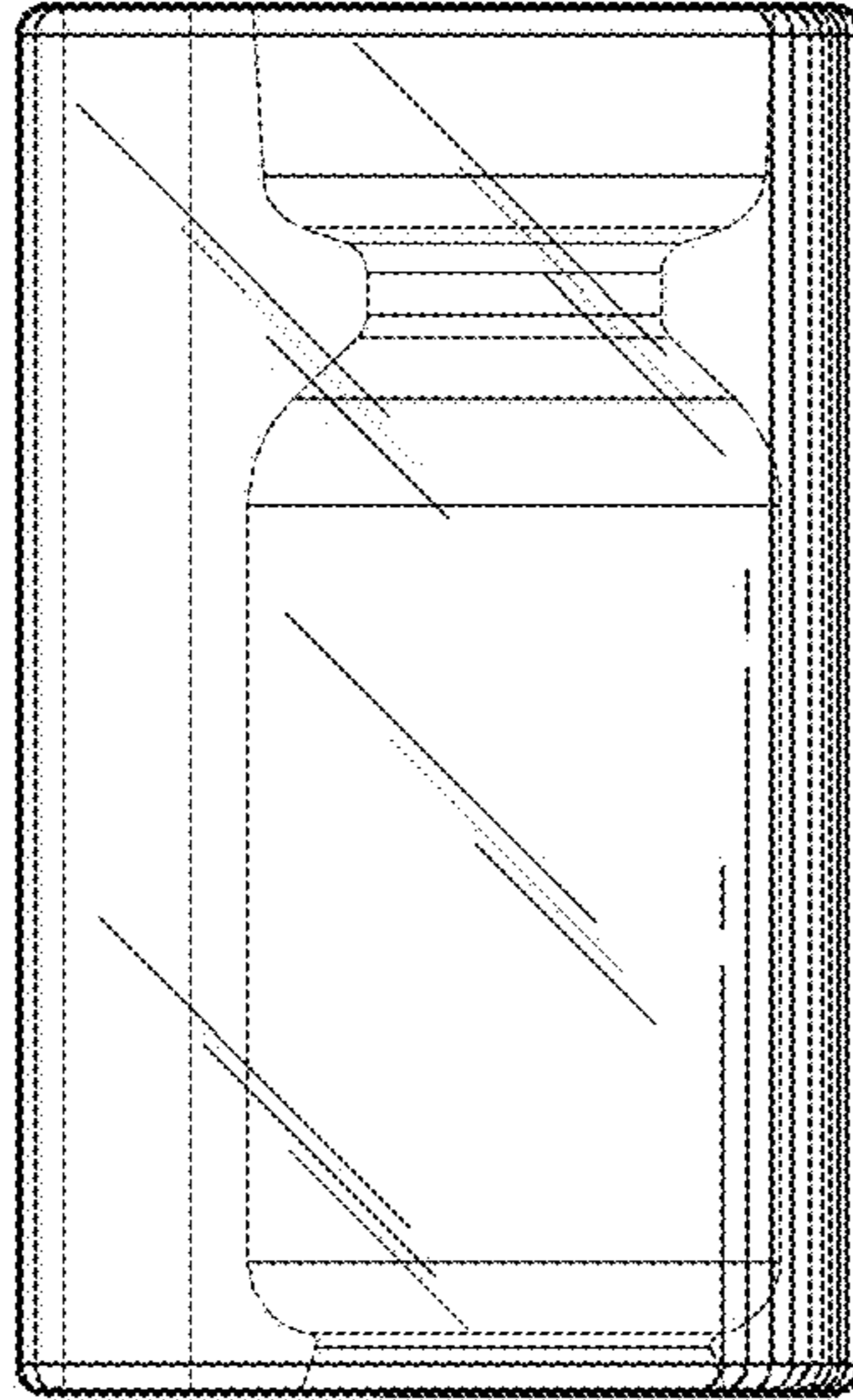


Fig. 5

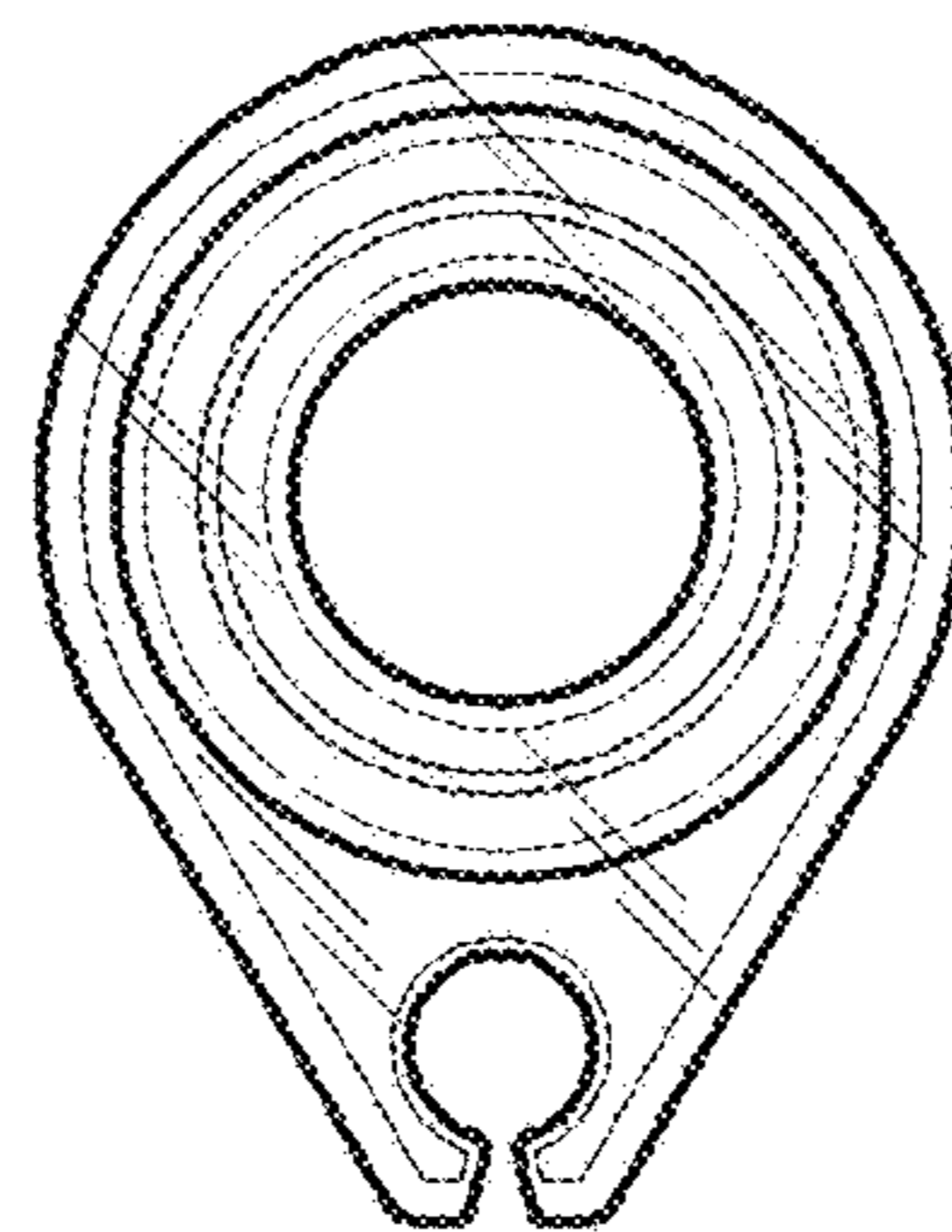


Fig. 6

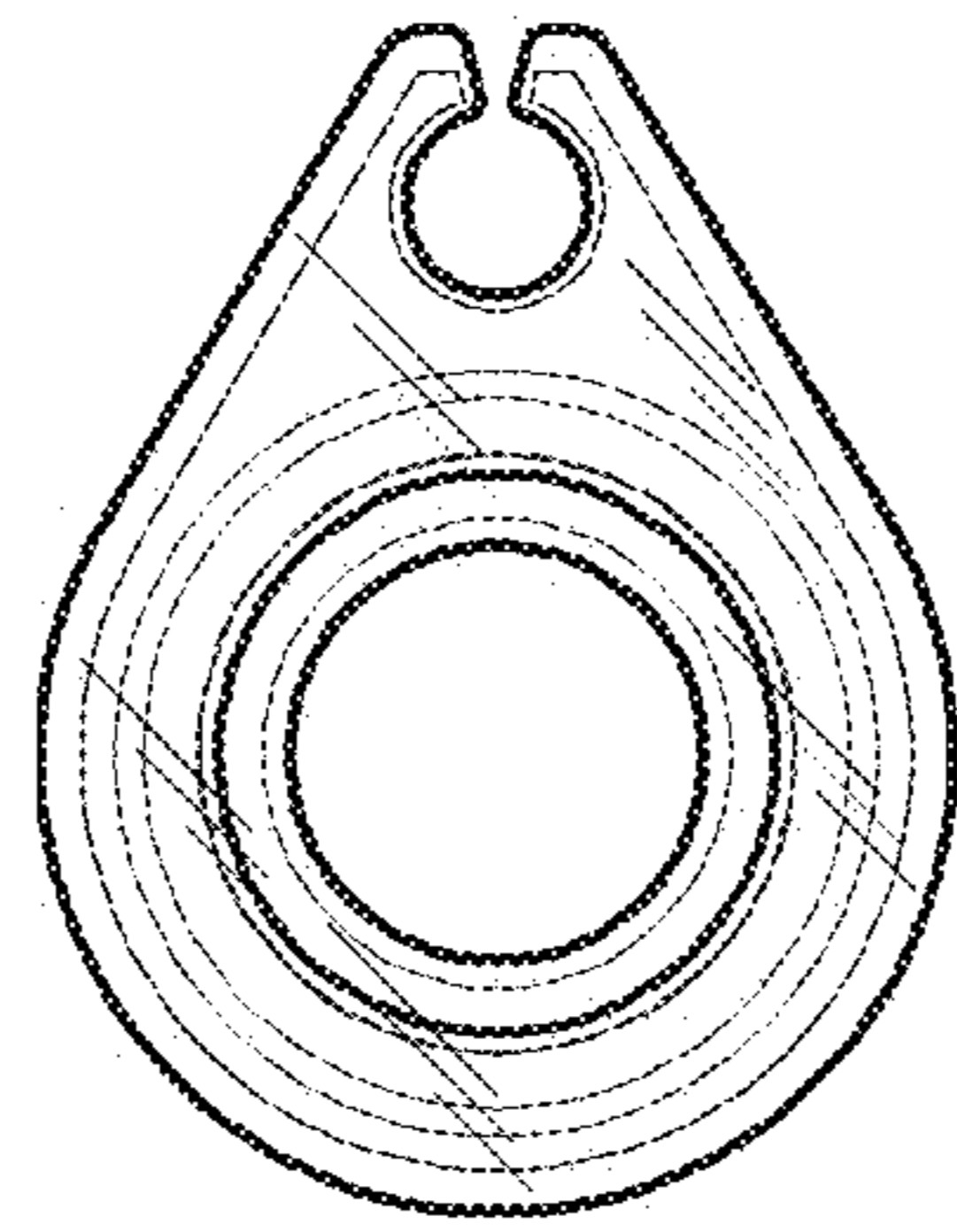


Fig. 7