



US00D845470S

(12) **United States Design Patent** (10) **Patent No.:** **US D845,470 S**
Ohno (45) **Date of Patent:** **** Apr. 9, 2019**

(54) **OPERATING GRIP FOR ENDOSCOPE**
(71) Applicant: **FUJIFILM Corporation**, Tokyo (JP)
(72) Inventor: **Hirotohi Ohno**, Ashigarakami-gun (JP)
(73) Assignee: **FUJIFILM Corporation**, Tokyo (JP)
(**) Term: **15 Years**

7,500,974 B2 * 3/2009 Sartor A61B 18/1402
606/45
D618,790 S * 6/2010 Bukoski D24/113
D677,792 S * 3/2013 Vandiver D24/167
D701,127 S * 3/2014 Cragolini D9/756
D733,598 S * 7/2015 Just D10/77
D739,007 S * 9/2015 Kallman D24/110
D744,858 S * 12/2015 Almasri D9/457
D775,728 S * 1/2017 Cavada D24/144
2005/0048436 A1 * 3/2005 Fishman A61C 17/02
433/80

(21) Appl. No.: **29/642,246**
(22) Filed: **Mar. 28, 2018**

* cited by examiner

Primary Examiner — David G Muller
(74) *Attorney, Agent, or Firm* — Birch, Stewart, Kolasch & Birch LLP

(30) **Foreign Application Priority Data**

Sep. 29, 2017 (JP) 2017-021501
(51) **LOC (11) Cl.** **24-02**
(52) **U.S. Cl.**
USPC **D24/127**
(58) **Field of Classification Search**
USPC D24/127–131, 112–114, 133, 186;
606/181, 185; 604/264, 523–528, 272,
604/187, 158, 164.01–164.11, 181, 184,
604/227; 600/101, 139, 143;
128/200.24, 207.14, 207.15
CPC A61M 25/00; A61M 39/00; A61M 27/00;
A61M 25/0043; A61M 25/0067; A61M
25/0097; A61F 2/958
See application file for complete search history.

(57) **CLAIM**

The ornamental design for an operating grip for endoscope, as shown and described.

DESCRIPTION

FIG. 1 is a top, front and left side perspective view of an operating grip for endoscope showing my new design; FIG. 2 is a top, rear and left side perspective view thereof; FIG. 3 is a top, front and right side perspective view thereof; FIG. 4 is a bottom, front and left side perspective view thereof; FIG. 5 is a front elevational view thereof; FIG. 6 is a rear elevational view thereof; FIG. 7 is a top plan view thereof; FIG. 8 is a bottom plan view thereof; FIG. 9 is a left side elevational view thereof; and, FIG. 10 is a right side elevational view thereof. The broken lines showing the portions of the operating grip for endoscope in all views shown represent unclaimed subject matter and form no part of the claimed design.

(56) **References Cited**

U.S. PATENT DOCUMENTS

5,199,871 A * 4/1993 Young A61C 17/0202
433/80
D409,305 S * 5/1999 Martin D24/108
D452,012 S * 12/2001 Phillips D24/186
D481,122 S * 10/2003 Keifer D24/110.4

1 Claim, 10 Drawing Sheets

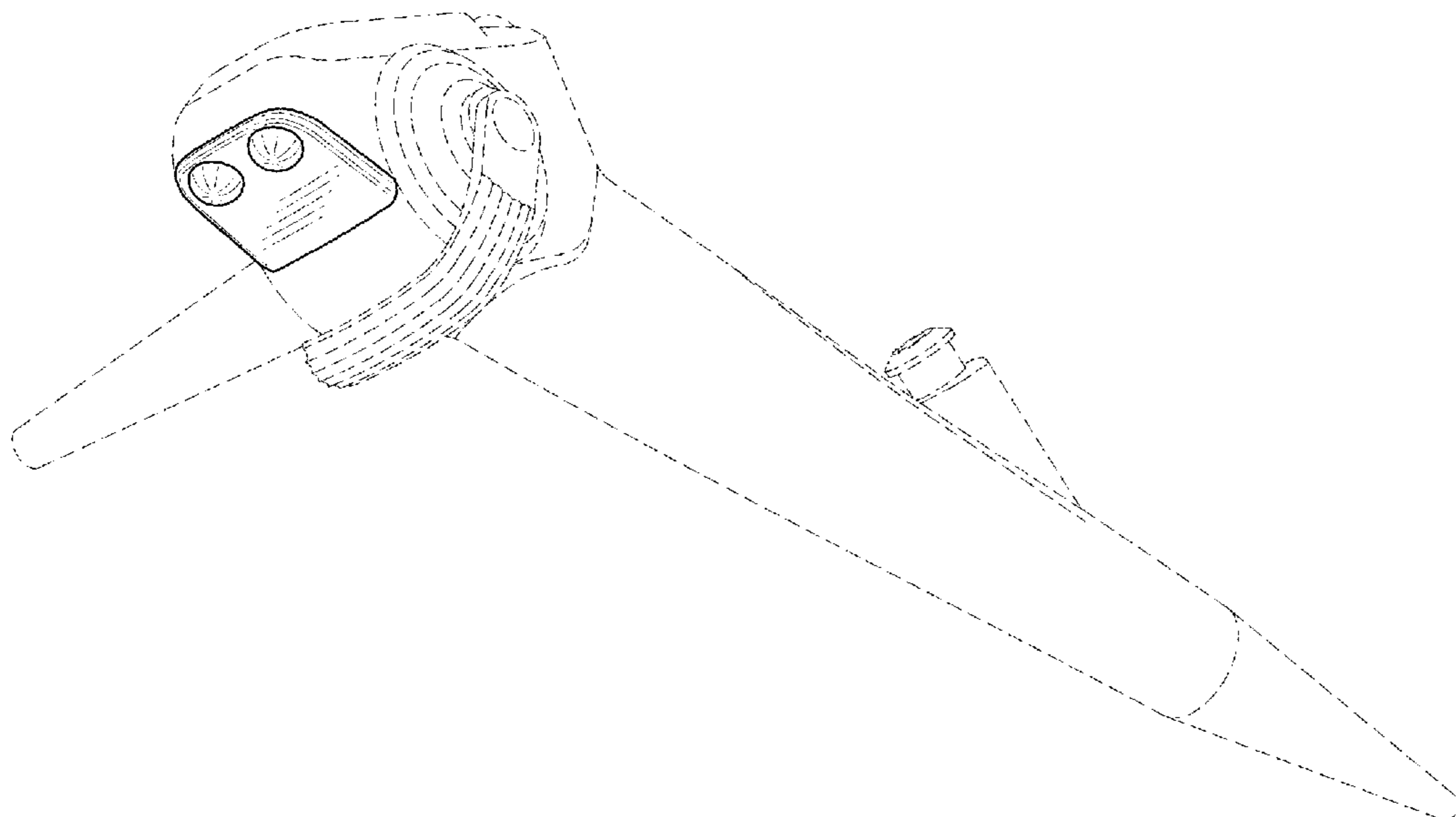


FIG.1

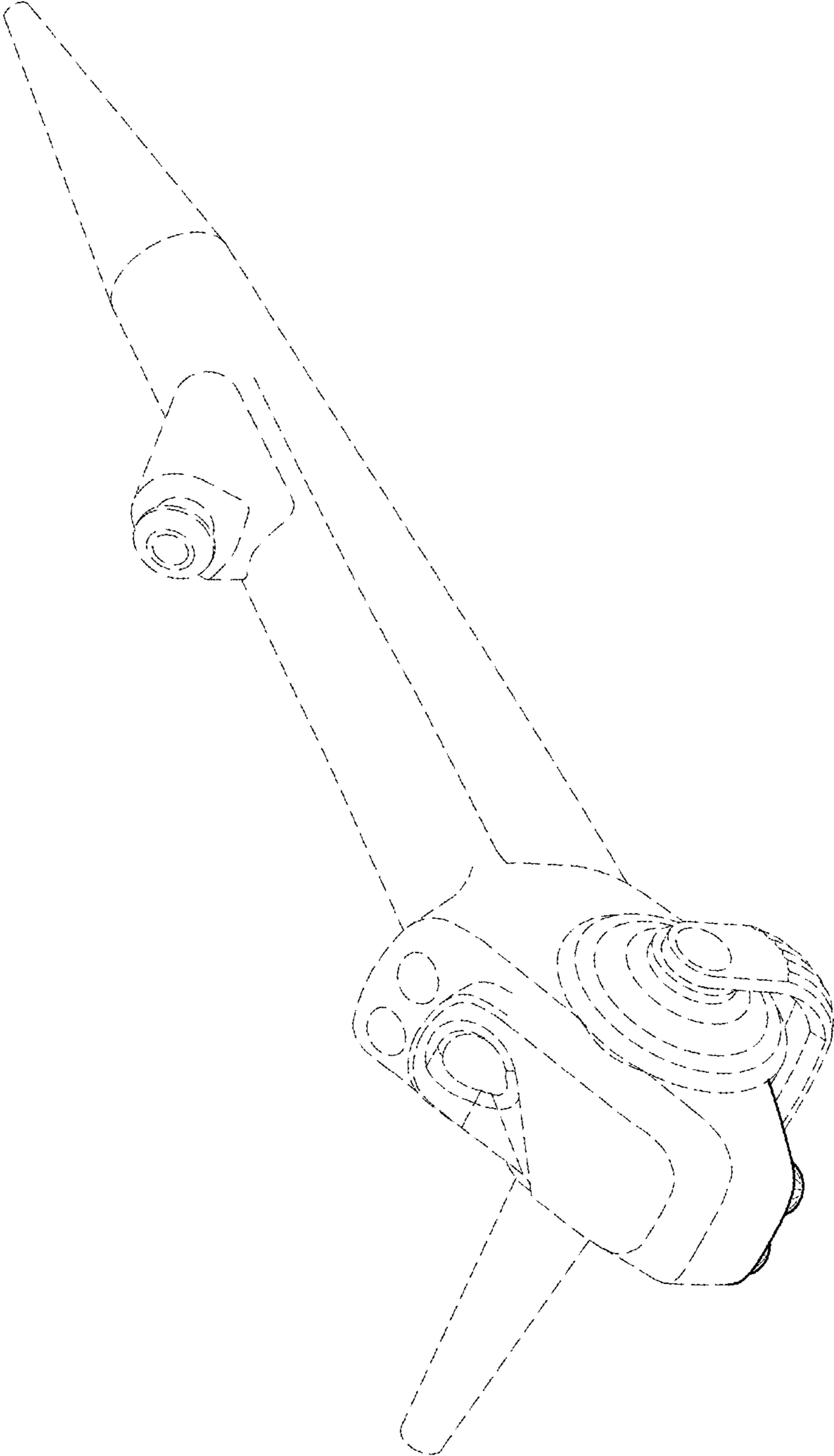


FIG.2

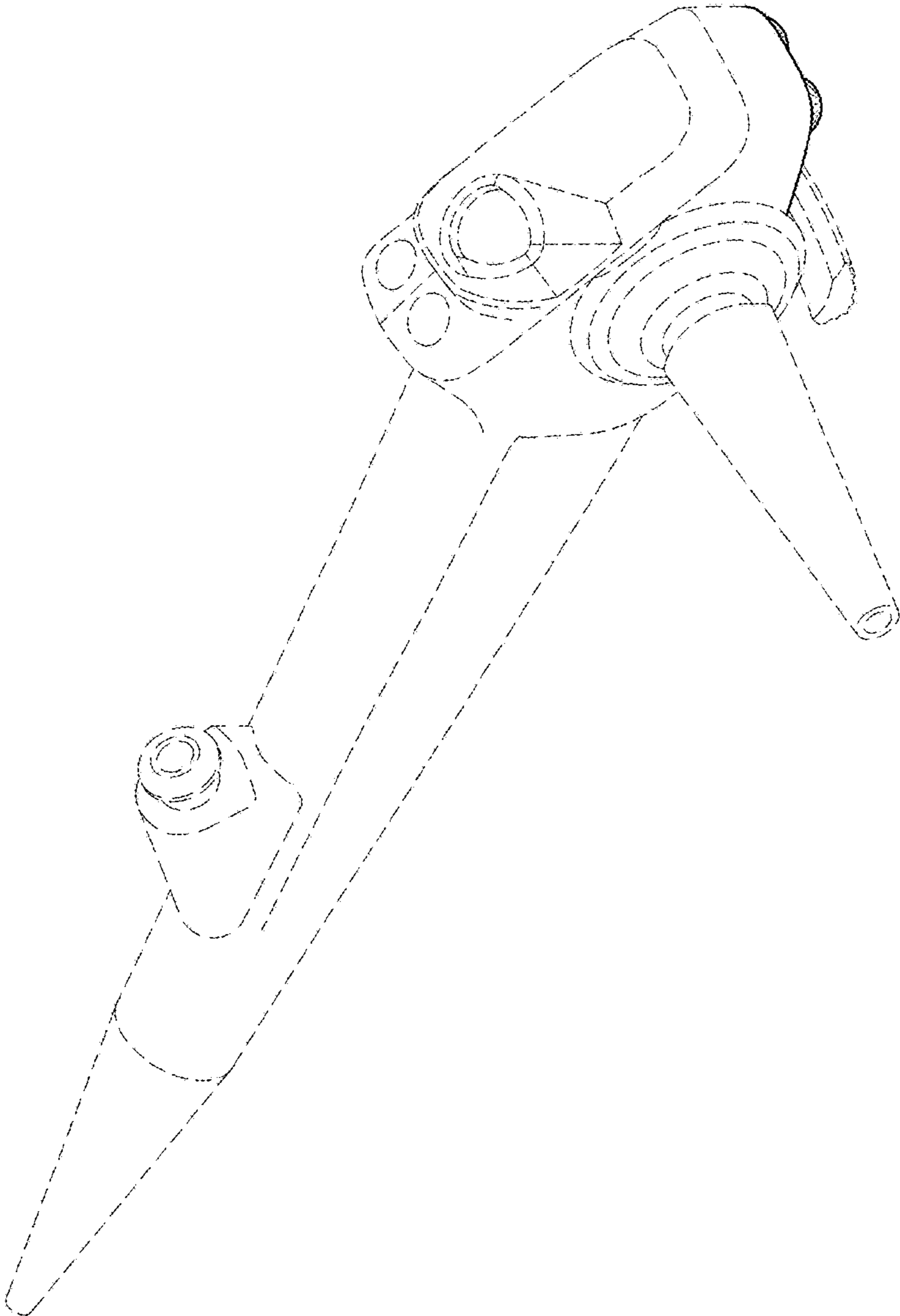


FIG.3

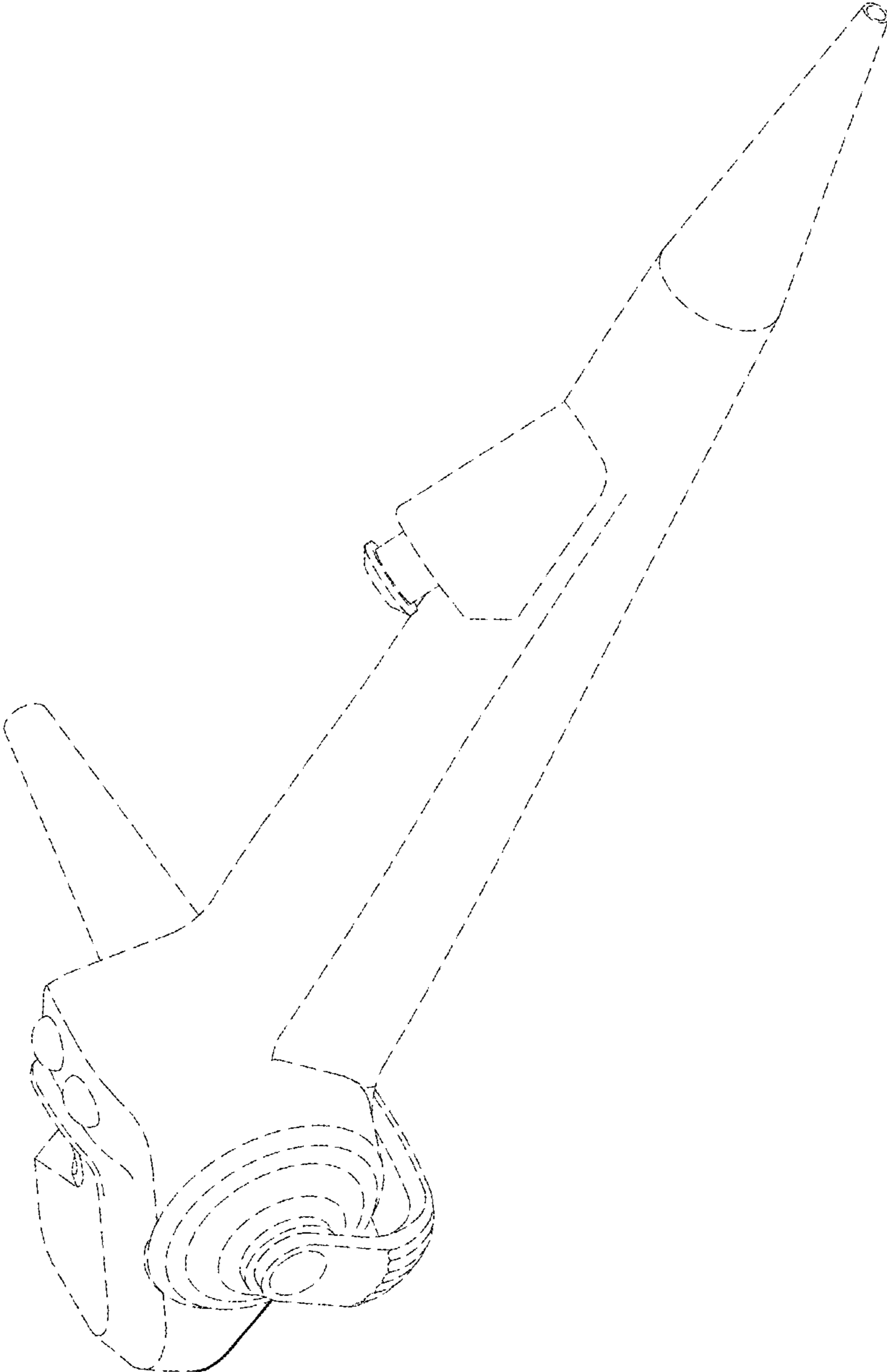


FIG.4

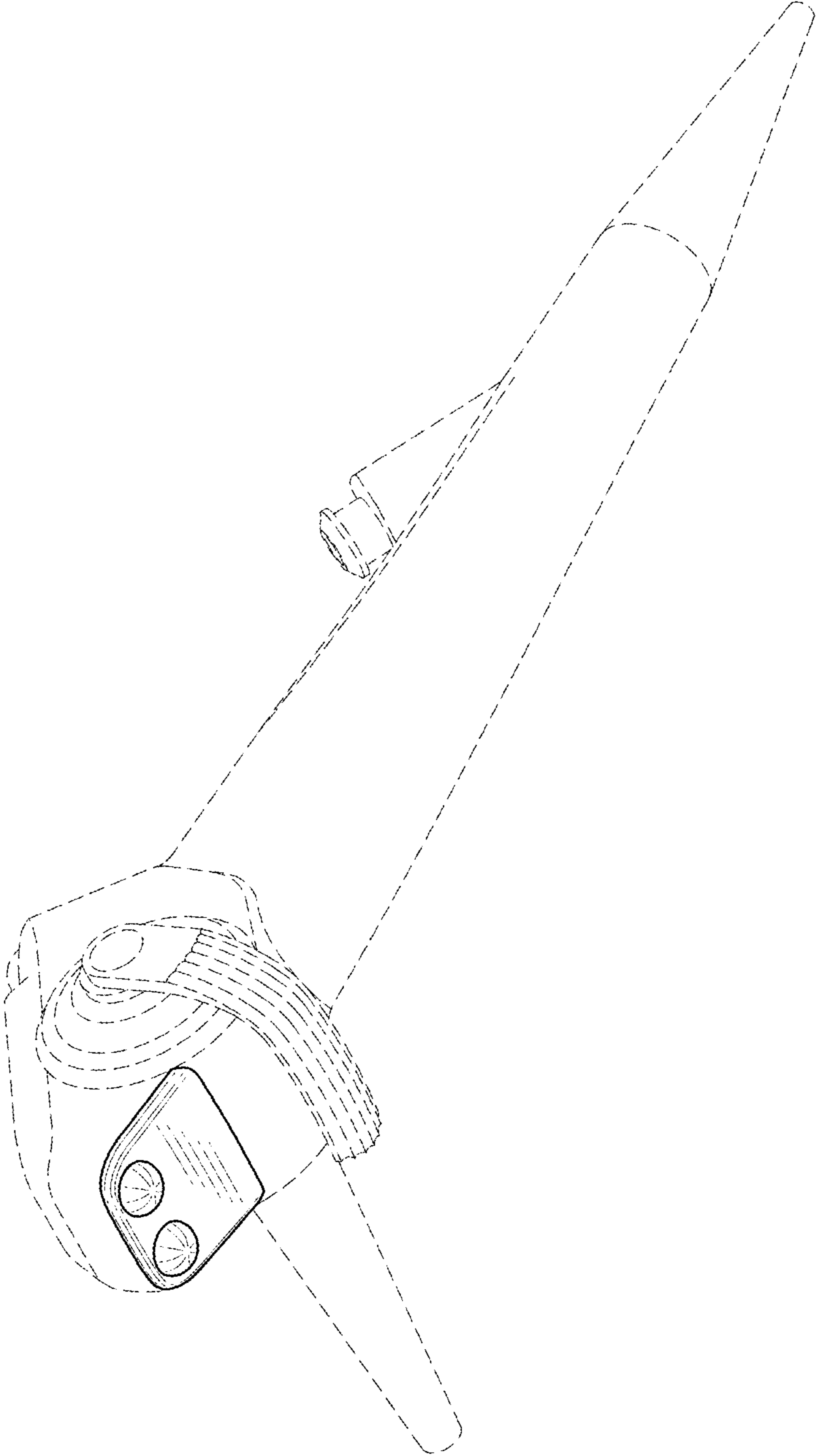


FIG. 5

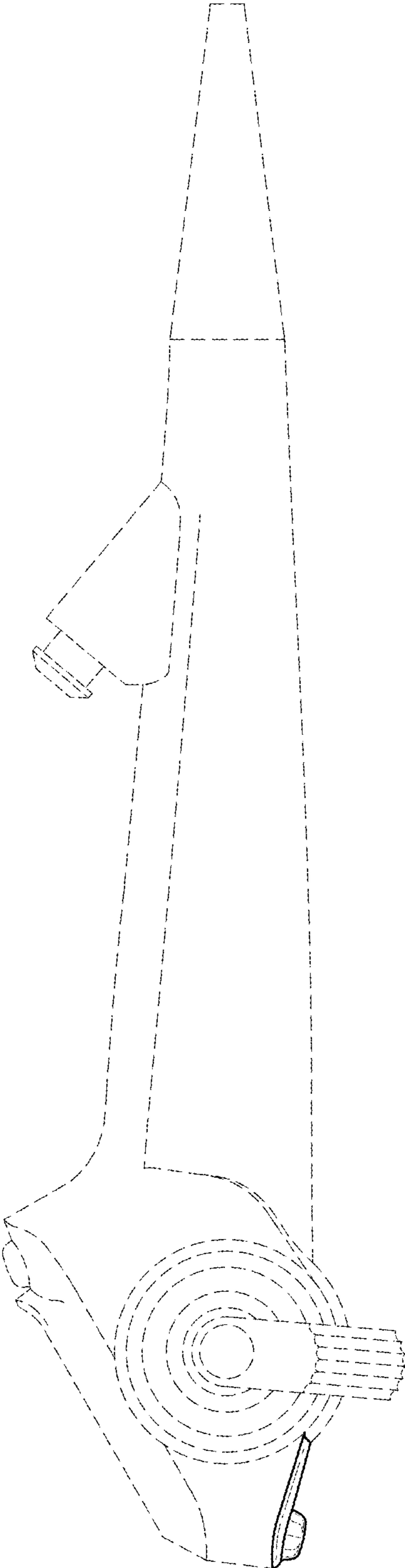


FIG. 6

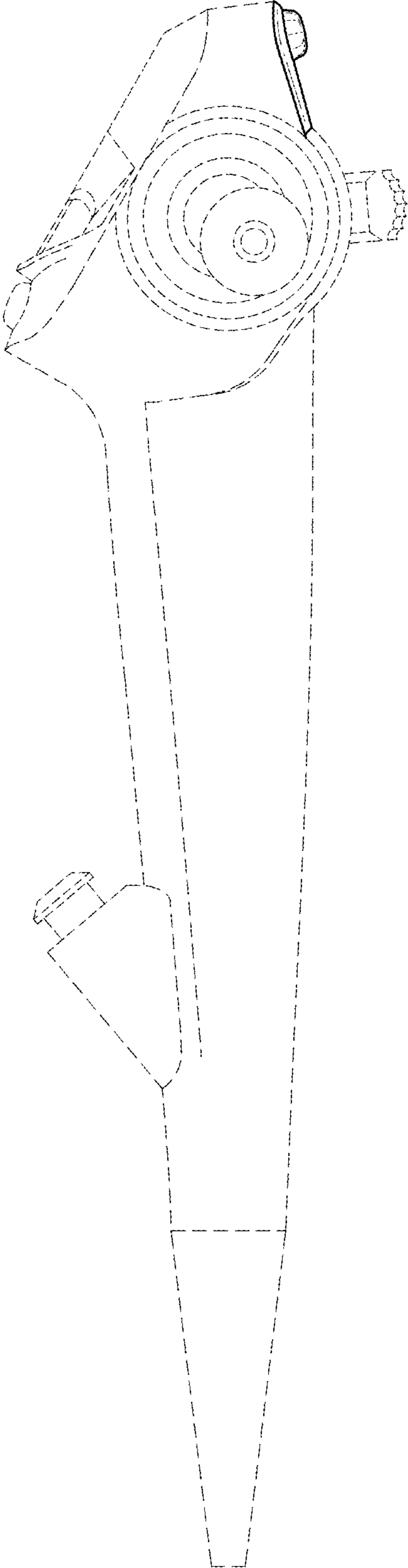


FIG. 7

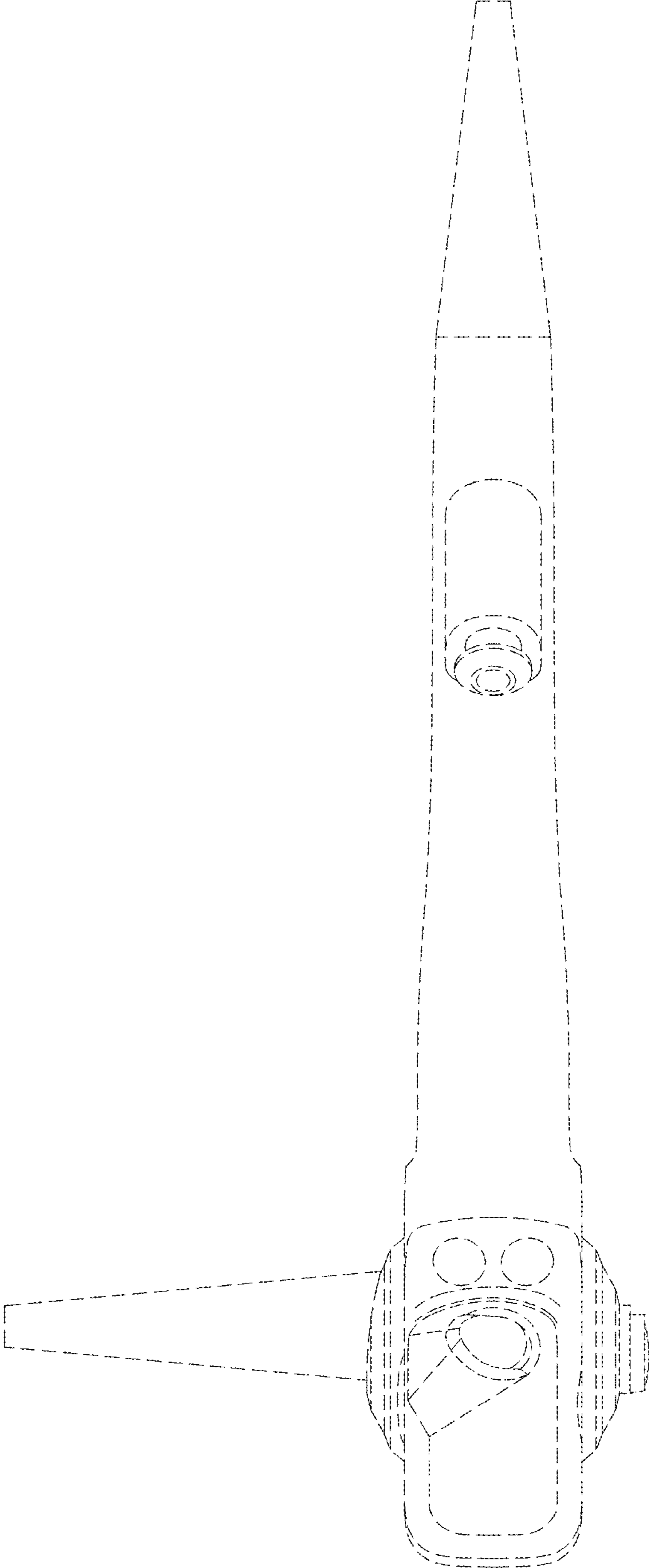


FIG. 8

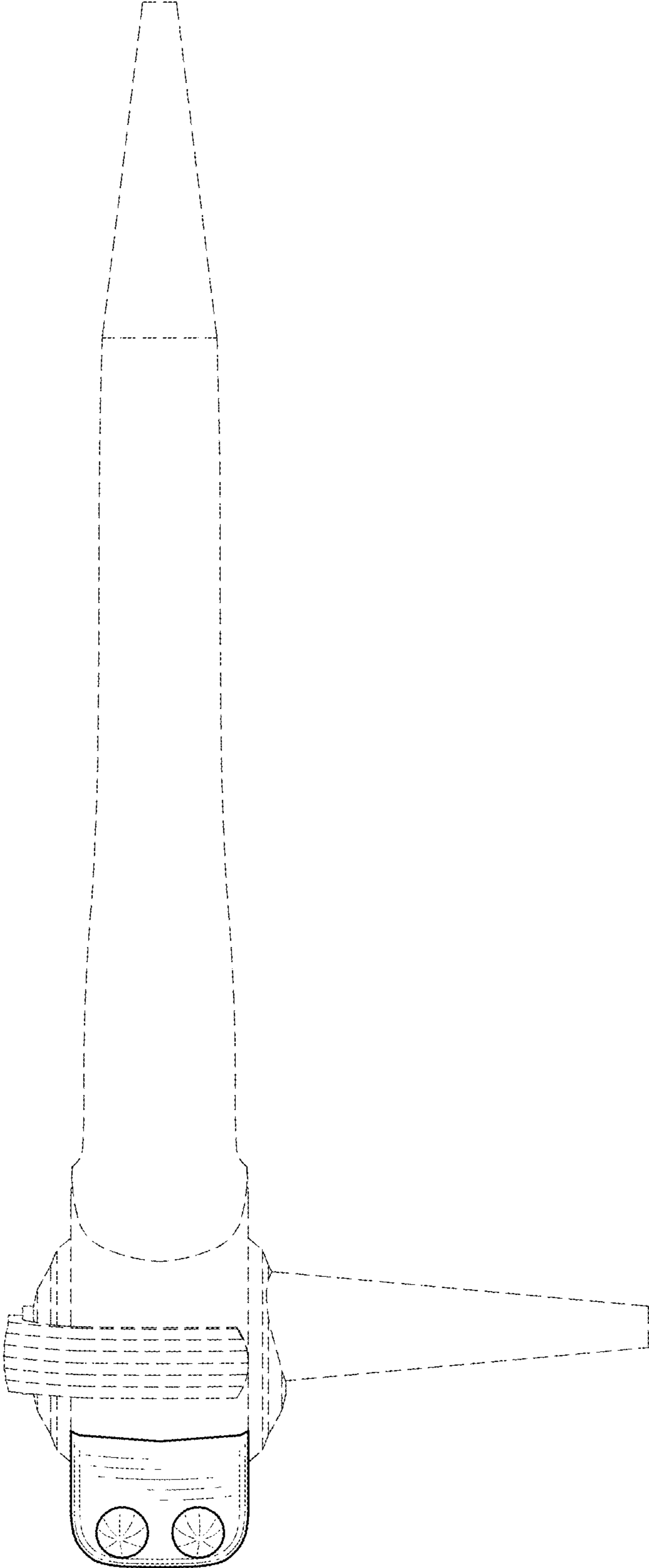


FIG.9

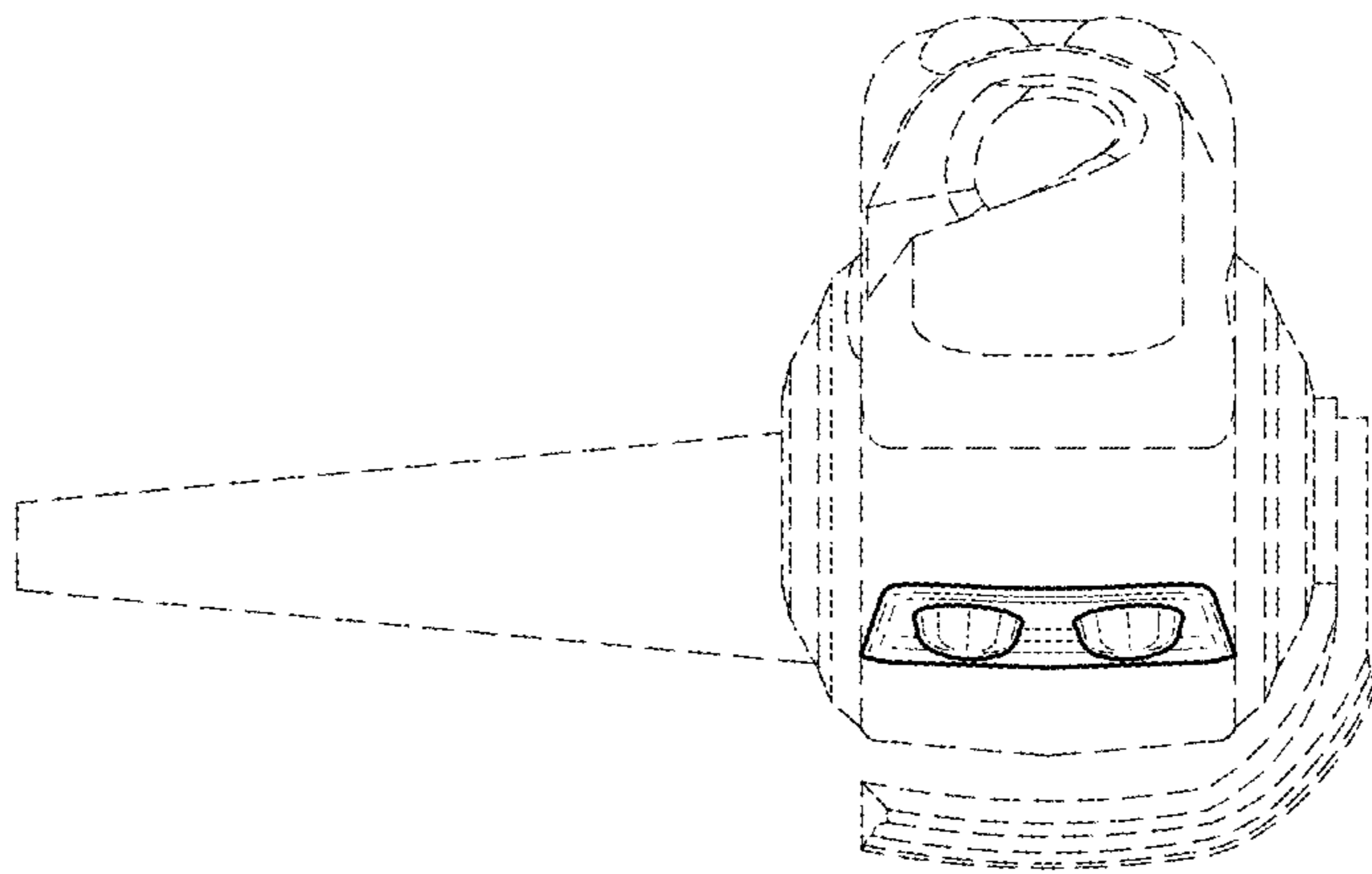


FIG. 10

