



US00D845465S

(12) **United States Design Patent**
Cui

(10) **Patent No.:** **US D845,465 S**

(45) **Date of Patent:** **** Apr. 9, 2019**

(54) **AXIAL FAN**

(71) Applicant: **Foshan Naibao Electric Co., Ltd.**,
Foshan (CN)

(72) Inventor: **Jiayao Cui**, Foshan (CN)

(73) Assignee: **Foshan Naibao Electric Co., Ltd.**
(CN)

(**) Term: **15 Years**

(21) Appl. No.: **29/611,319**

(22) Filed: **Jul. 20, 2017**

(30) **Foreign Application Priority Data**

Jun. 15, 2017 (CN) 2017 3 0246425

(51) **LOC (11) Cl.** **23-04**

(52) **U.S. Cl.**
USPC **D23/382**

(58) **Field of Classification Search**

USPC D23/370, 377, 378, 381, 382, 412, 411
CPC A44C 15/007; A61C 13/08; A61C 13/081;
A61C 13/082; A61C 13/0835; A61C
13/225; A61C 5/00; A61C 5/20; A61C
5/70; A61C 7/002

See application file for complete search history.

(56) **References Cited**

U.S. PATENT DOCUMENTS

D531,718 S * 11/2006 Bucher D23/382
D589,604 S * 3/2009 Hsu D23/382
D594,545 S * 6/2009 Blateri D23/382
D621,026 S * 8/2010 Peterson D23/382
D645,952 S * 9/2011 Peterson D23/411

D645,953 S * 9/2011 Peterson D23/411
D673,256 S * 12/2012 Shapiro D23/370
D676,953 S * 2/2013 Hollan D23/378
D681,186 S * 4/2013 Pan D23/370
D685,459 S * 7/2013 Pan D23/370
D686,309 S * 7/2013 Kokawa D23/382
D691,256 S * 10/2013 Pan D23/370
D779,647 S * 2/2017 Burton D23/370
D807,487 S * 1/2018 Delerue D23/382
2010/0247316 A1 * 9/2010 Aynsley F04D 29/34
416/189
2012/0183390 A1 * 7/2012 Pan F04D 25/105
415/170.1

* cited by examiner

Primary Examiner — Janice Hallmark

(74) *Attorney, Agent, or Firm* — Lerner, David,
Littenberg, Krumholz & Mentlik, LLP

(57) **CLAIM**

The ornamental design for an axial fan, as shown and described.

DESCRIPTION

FIG. 1 is a front perspective view of an axial fan according to my design;

FIG. 2 is a front elevational view thereof;

FIG. 3 is a rear elevational view thereof;

FIG. 4 is a right side elevational view thereof;

FIG. 5 is a left side elevational view thereof;

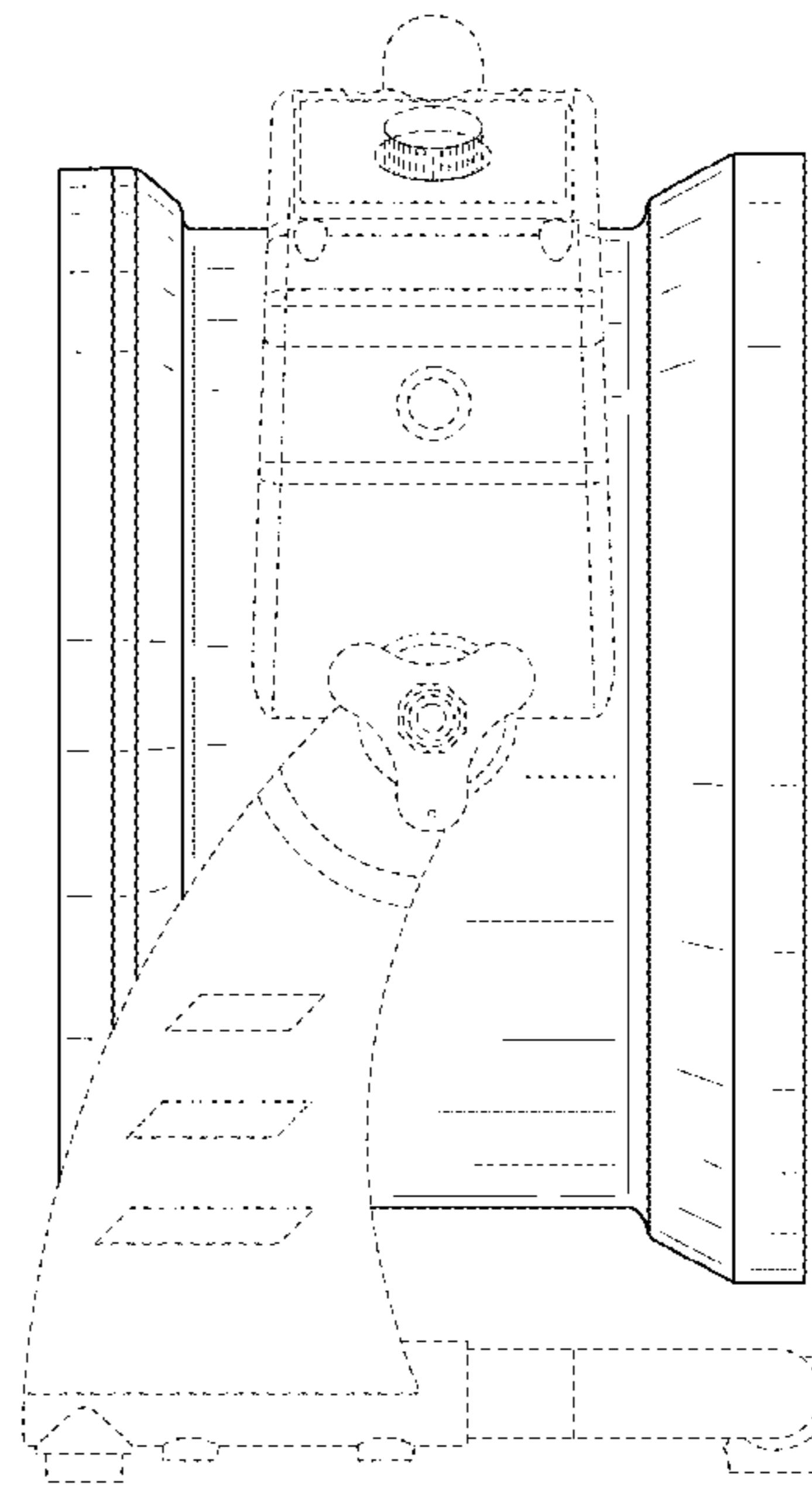
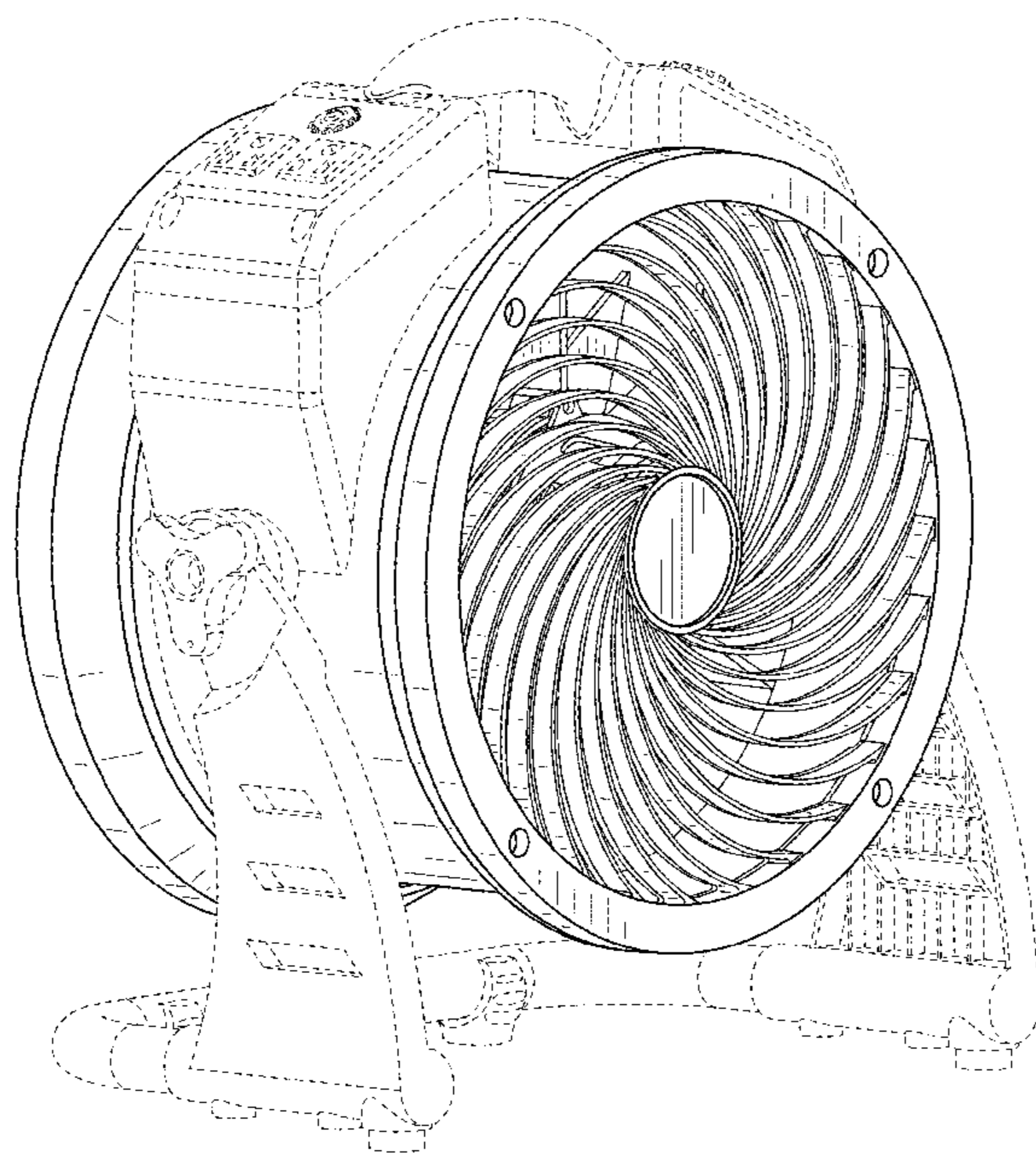
FIG. 6 is a top plan view thereof;

FIG. 7 is a bottom plan view thereof; and,

FIG. 8 is a rear perspective view of thereof.

The broken lines shown in the drawings are for the purpose of illustrating environmental structure and form no part of the claimed design.

1 Claim, 7 Drawing Sheets



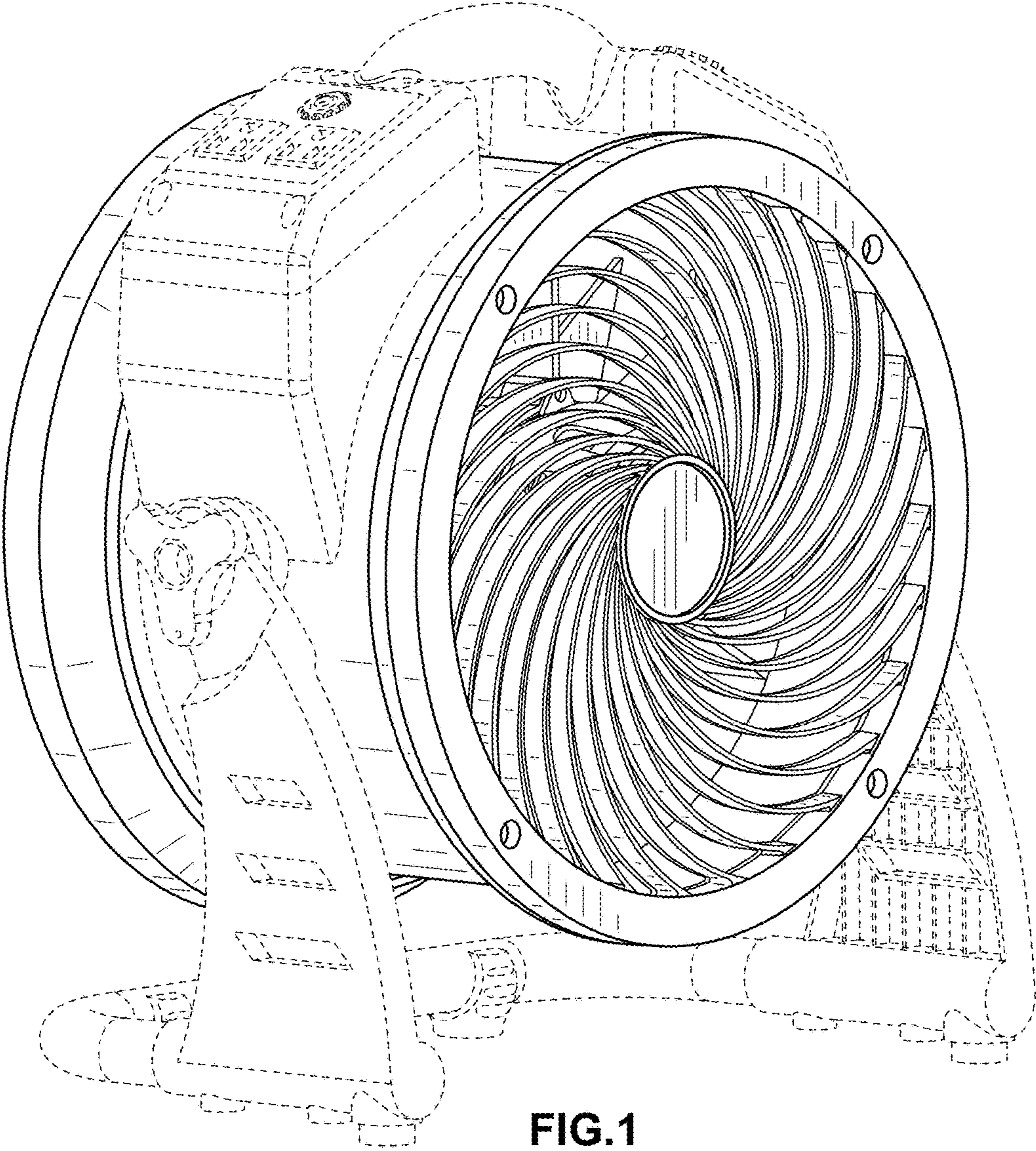


FIG.1

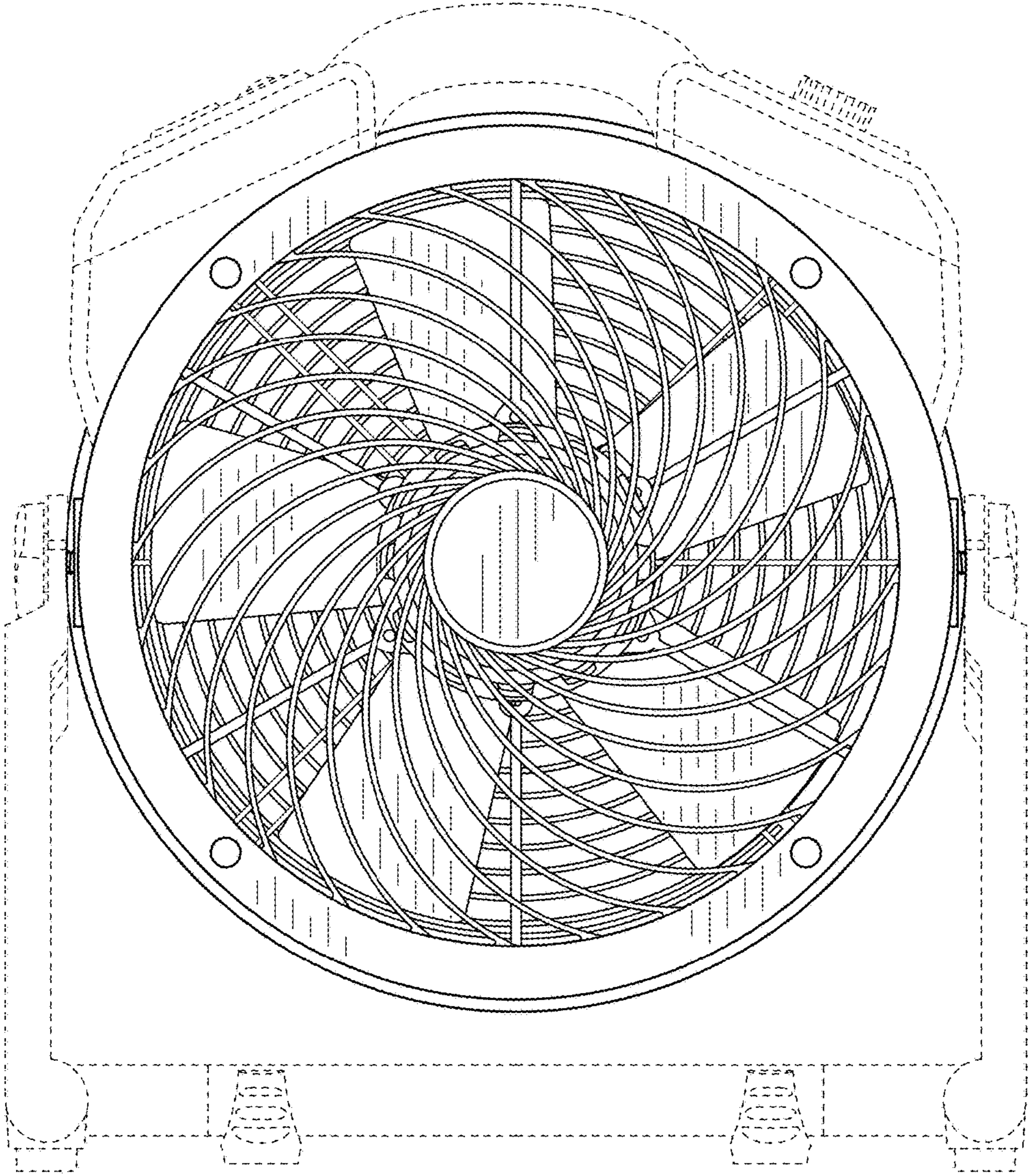


FIG.2

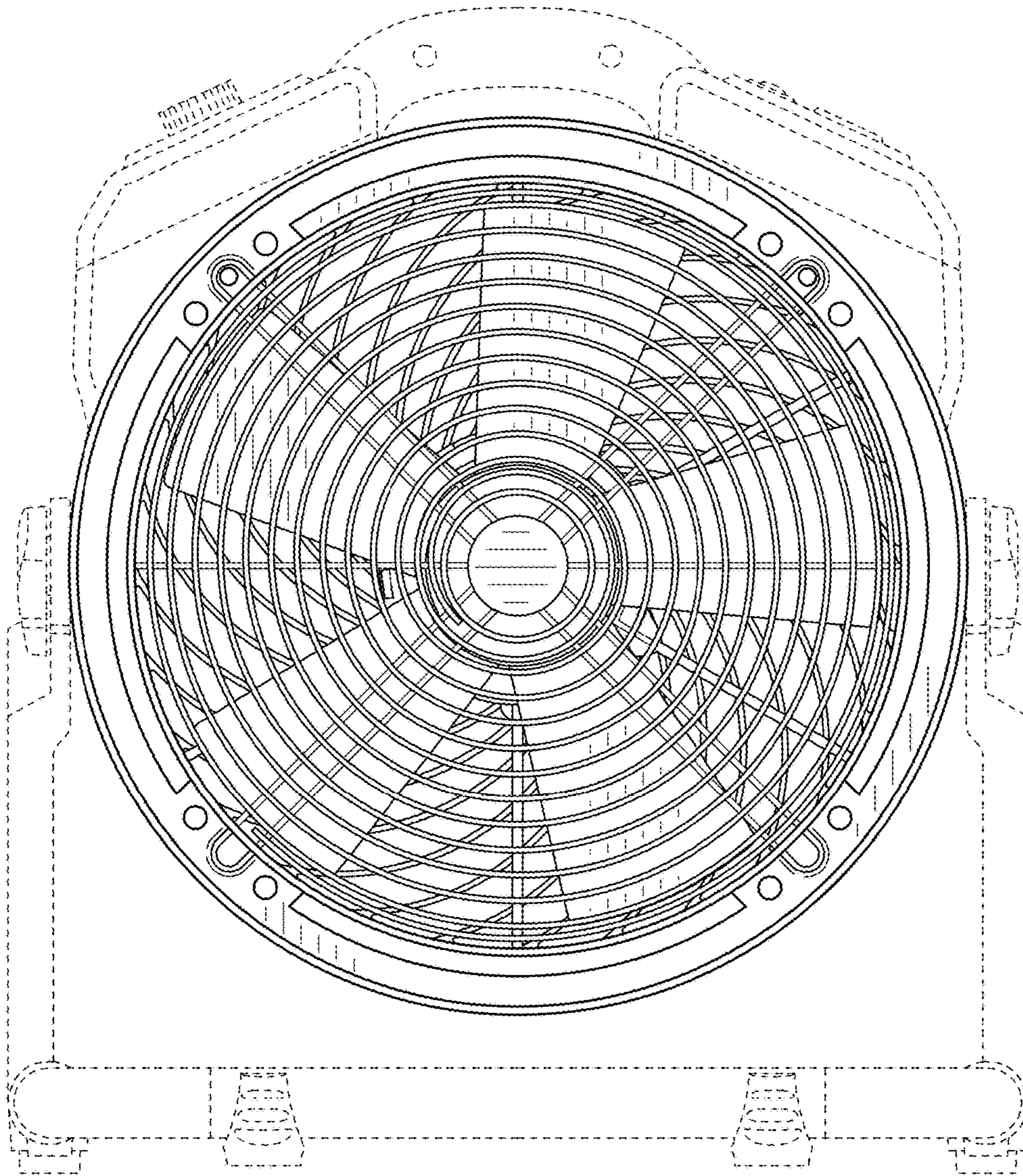


FIG.3

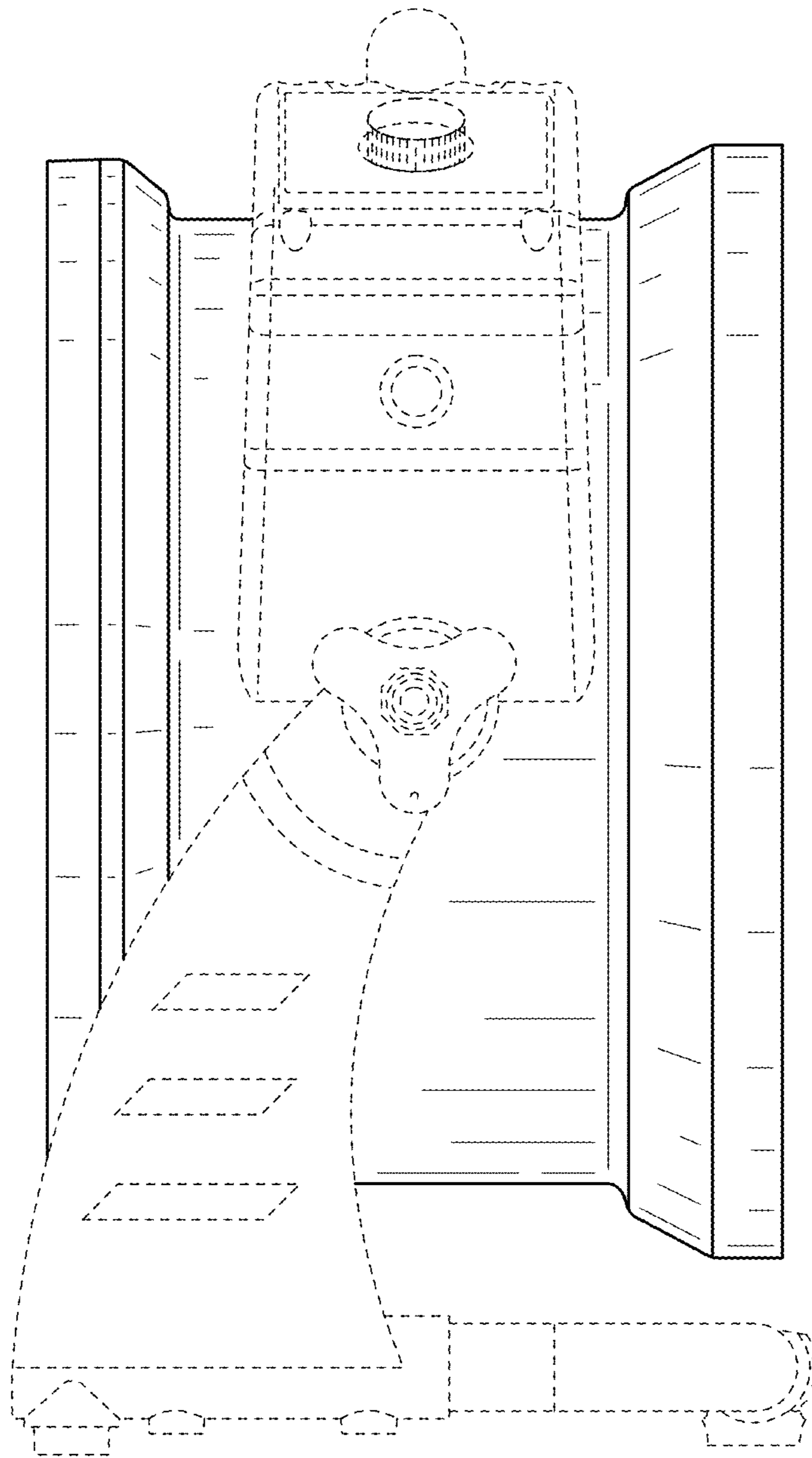


FIG.4

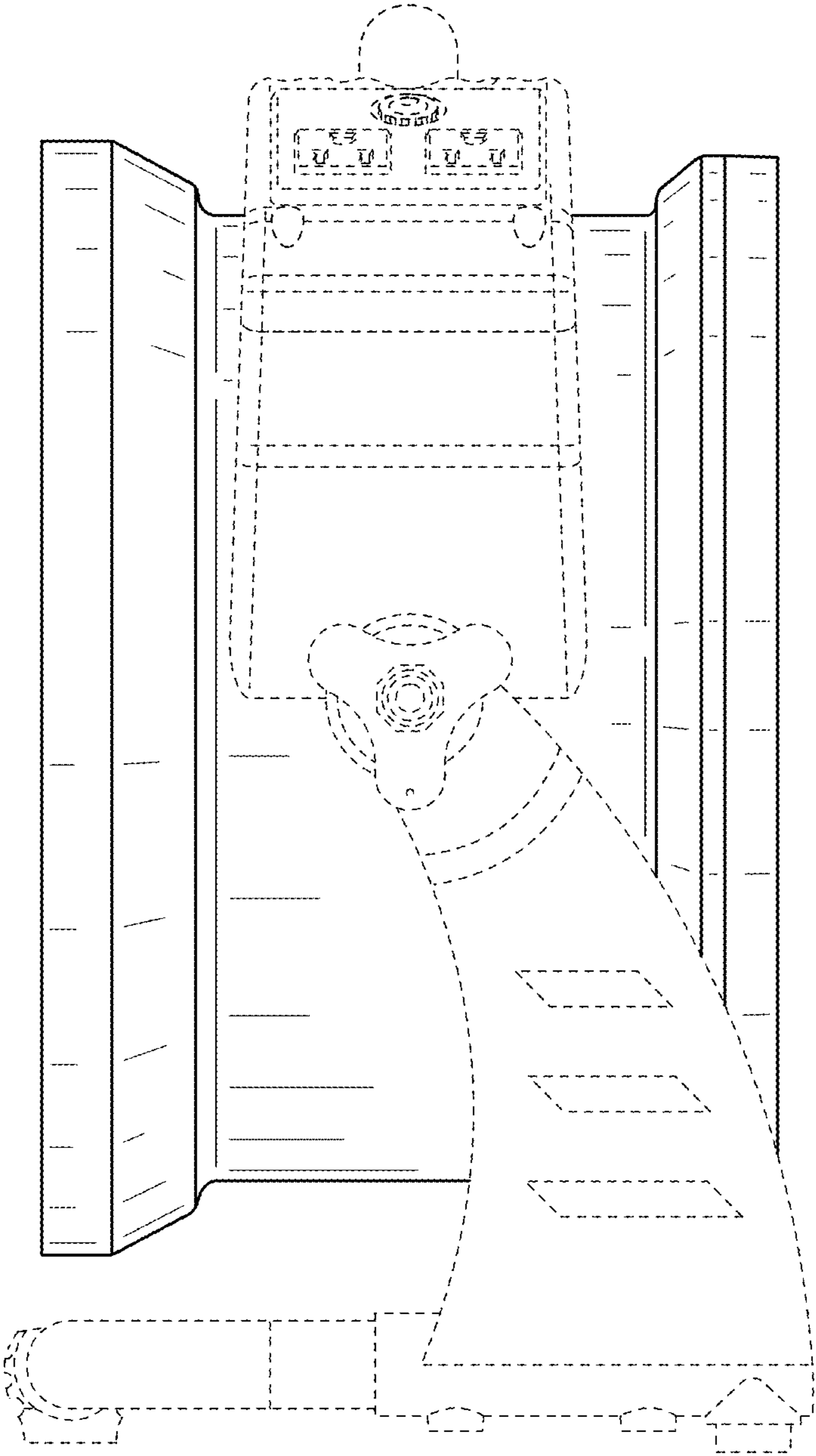


FIG.5

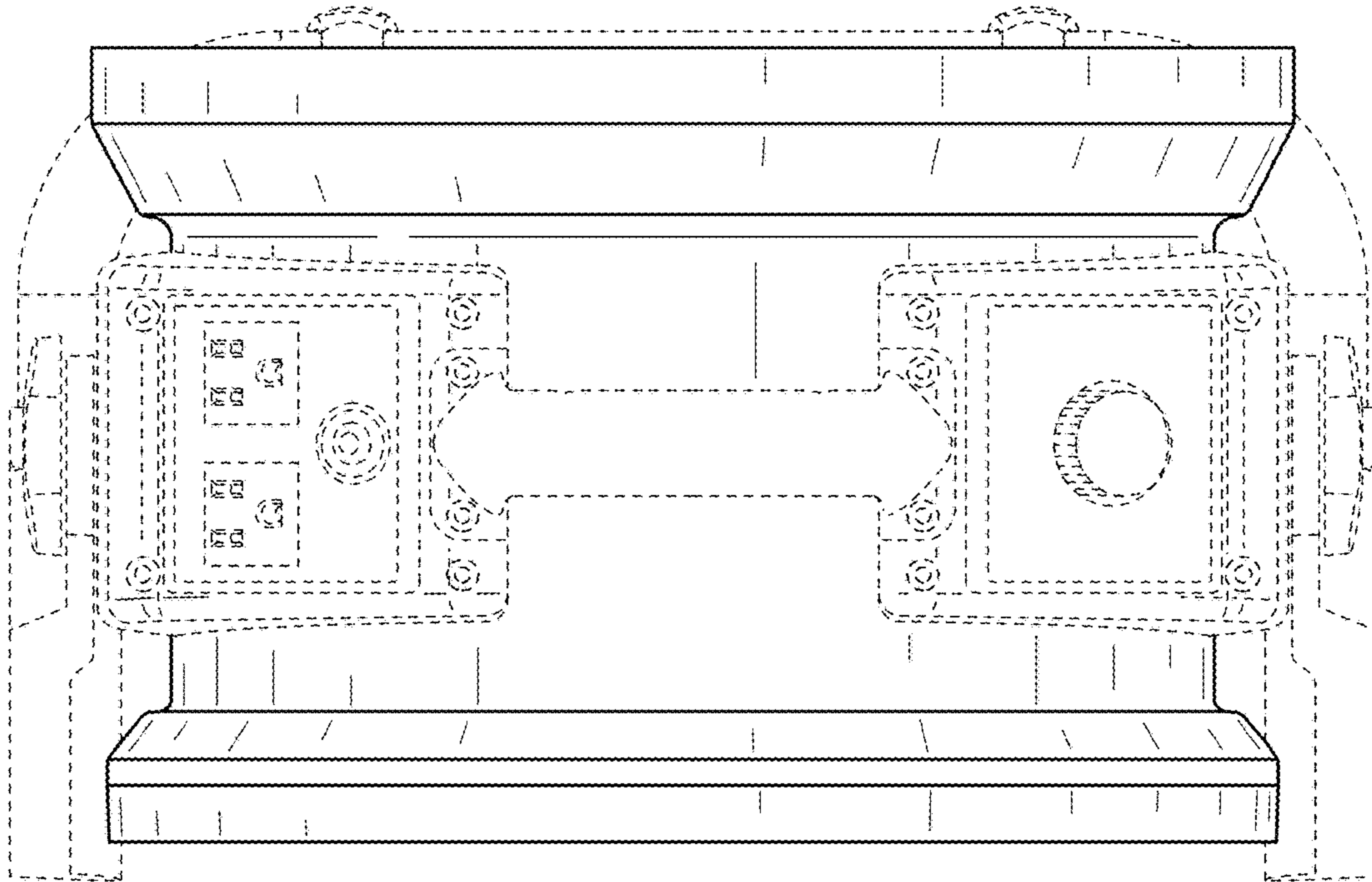


FIG. 6

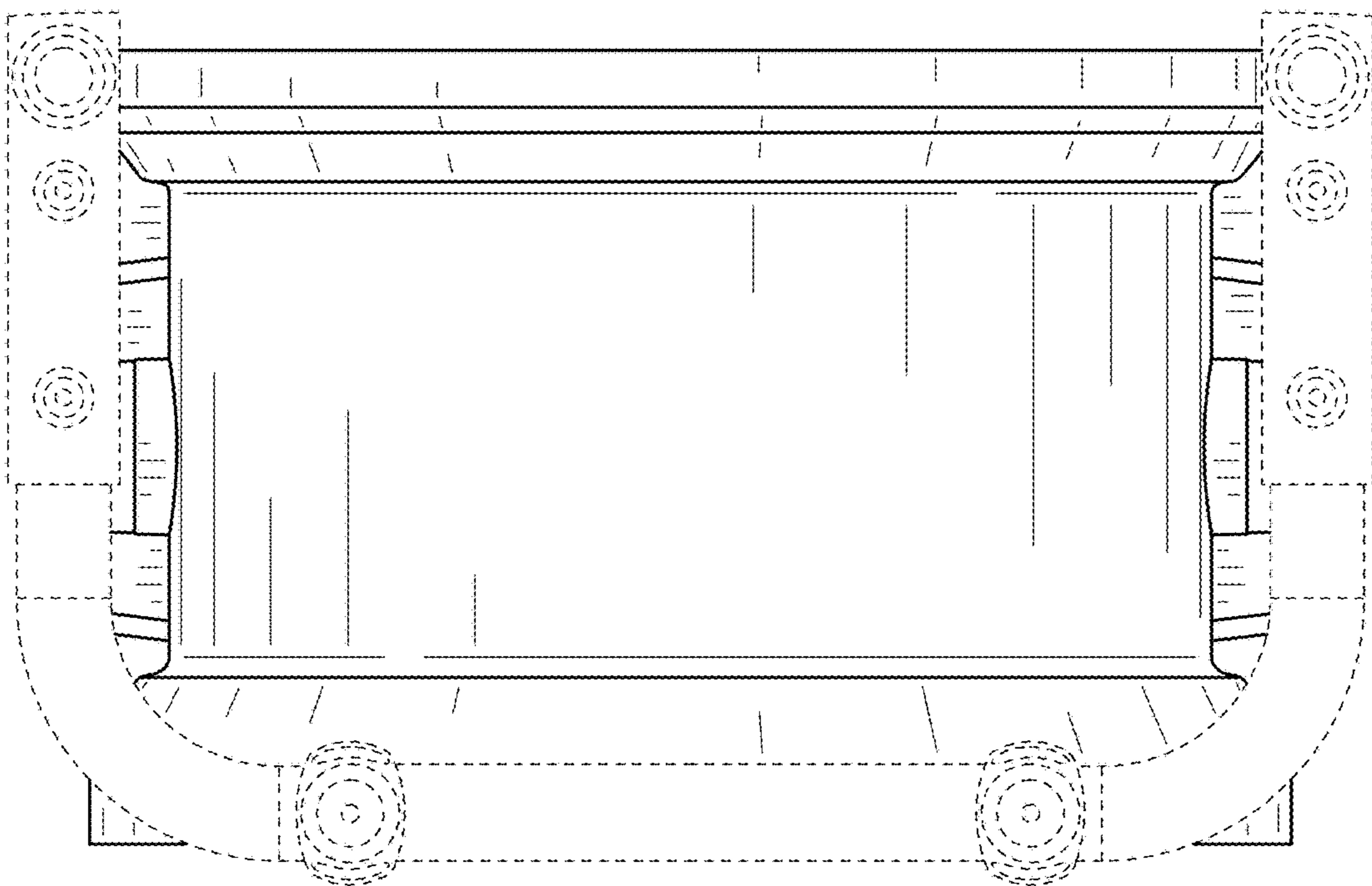


FIG. 7

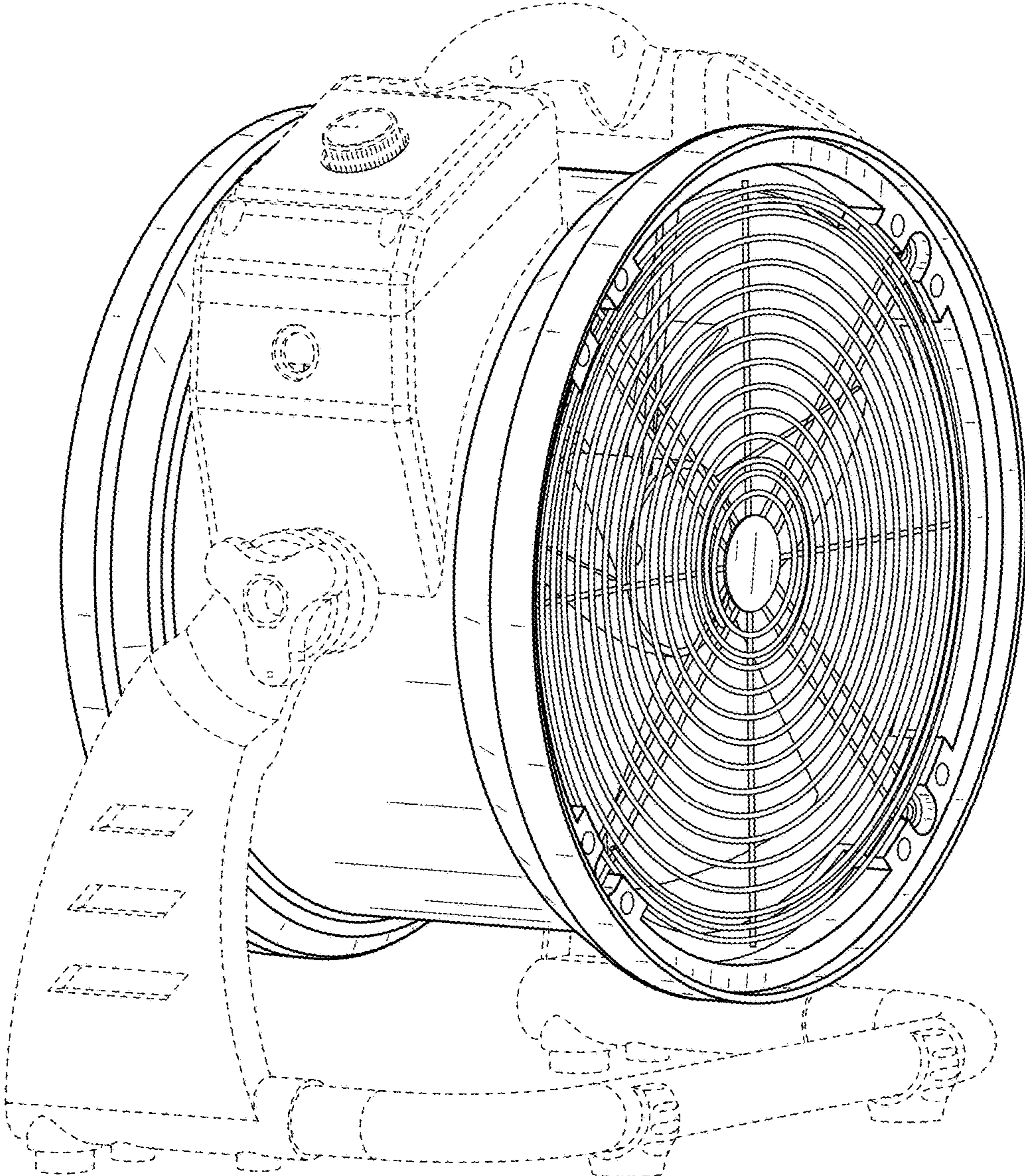


FIG.8