



US00D845461S

(12) **United States Design Patent**
Li

(10) **Patent No.:** **US D845,461 S**

(45) **Date of Patent:** **** Apr. 9, 2019**

(54) **FAN**
(71) Applicant: **Dezheng Li**, Guangdong (CN)
(72) Inventor: **Dezheng Li**, Guangdong (CN)

(**) Term: **15 Years**

(21) Appl. No.: **29/615,214**

(22) Filed: **Aug. 28, 2017**

(30) **Foreign Application Priority Data**

Mar. 8, 2017 (CN) 2017 3 0063504

(51) **LOC (11) Cl.** **23-04**

(52) **U.S. Cl.**
USPC **D23/370**

(58) **Field of Classification Search**
USPC D23/332, 334, 335, 336, 337, 352, 370,
D23/378, 381, 382, 383, 411, 412, 413,
D23/414
CPC F04D 25/06; F04D 25/08; F04D 25/0673;
F04D 27/004; F04D 19/002

See application file for complete search history.

(56) **References Cited**

U.S. PATENT DOCUMENTS

1,313,258 A * 8/1919 Carmean et al. F24H 3/0417
219/486
D133,291 S * 8/1942 Powers D23/370

D151,309 S * 10/1948 Witte D23/336
D164,613 S * 9/1951 Wahlberg et al. D23/336
3,403,252 A * 9/1968 Nagy A61L 9/22
250/432 R
D255,488 S * 6/1980 Kanarek D23/370
D340,765 S * 10/1993 Joss D23/332
D486,214 S * 2/2004 Chiang D23/370
D686,713 S * 7/2013 Kimpara D23/332
D698,916 S * 2/2014 Avedon D23/379

* cited by examiner

Primary Examiner — Cathron C Brooks

Assistant Examiner — Sharon S Oum

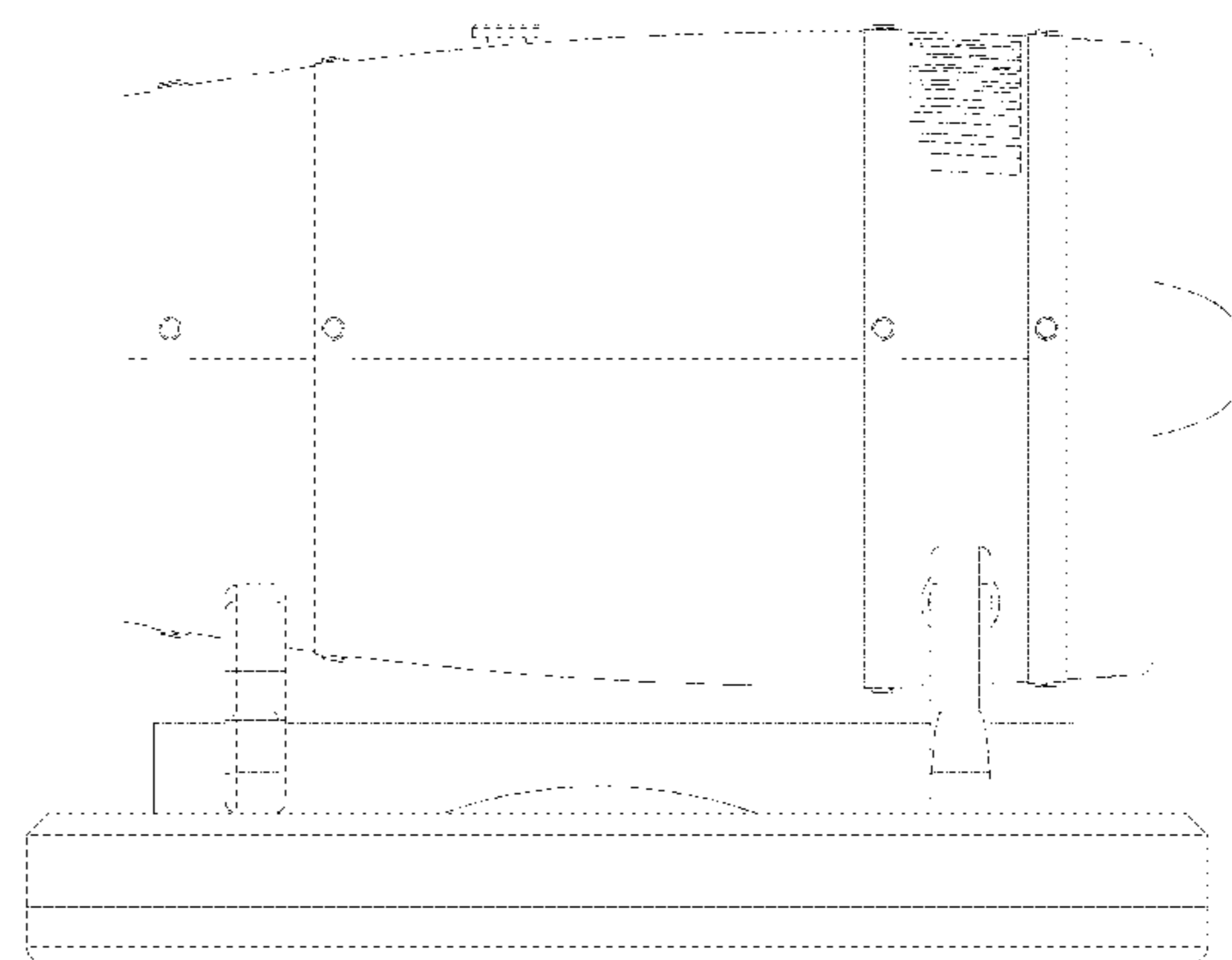
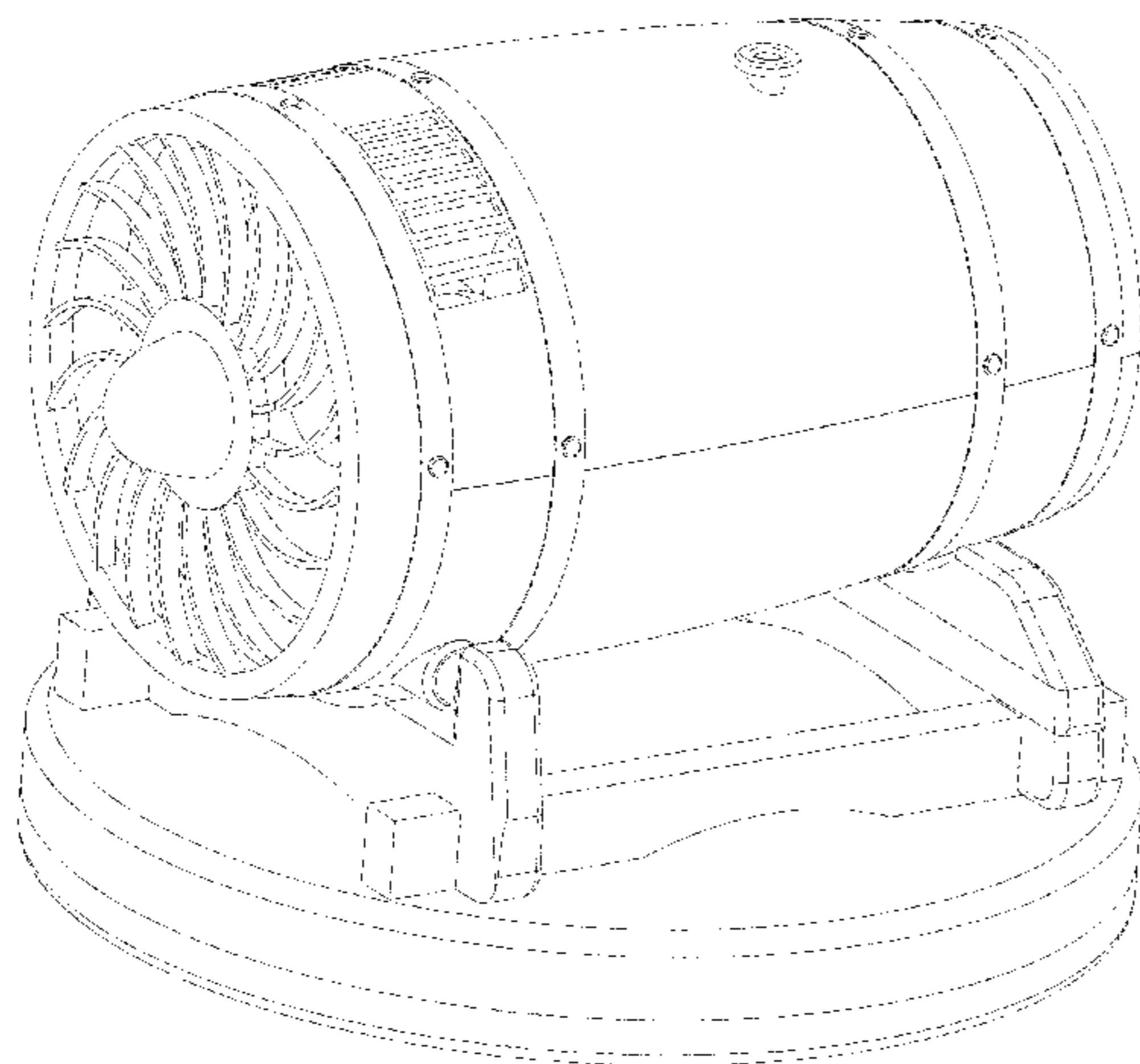
(57) **CLAIM**

The ornamental design for a fan, as shown and described.

DESCRIPTION

FIG. 1 is a perspective view of a fan showing my new design;
FIG. 2 is a front elevational view thereof;
FIG. 3 is a rear elevational view thereof;
FIG. 4 is a left side view thereof;
FIG. 5 is a right side view thereof;
FIG. 6 is a top plan view thereof; and,
FIG. 7 is a bottom plan view thereof.

1 Claim, 7 Drawing Sheets



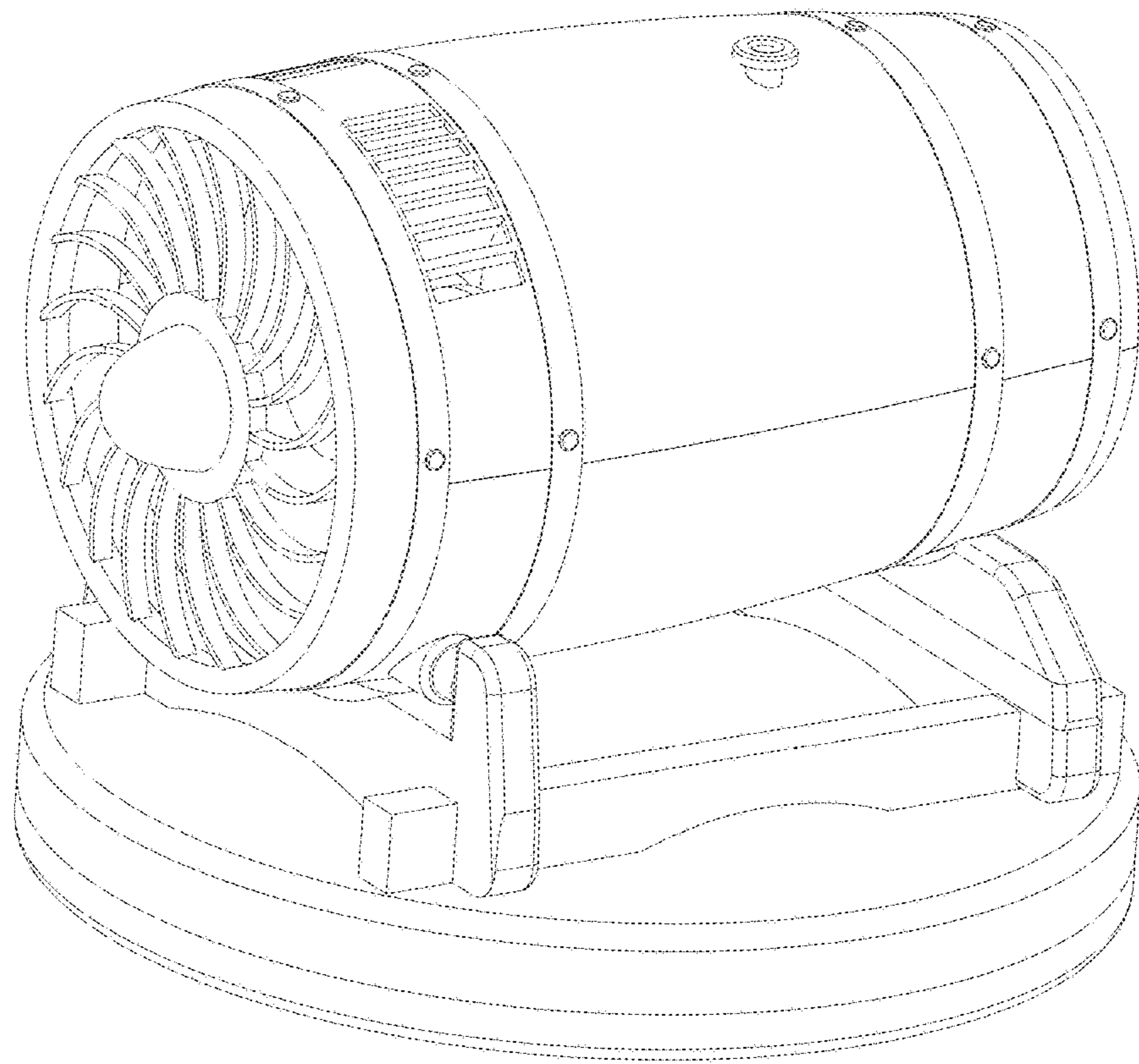


FIG. 1

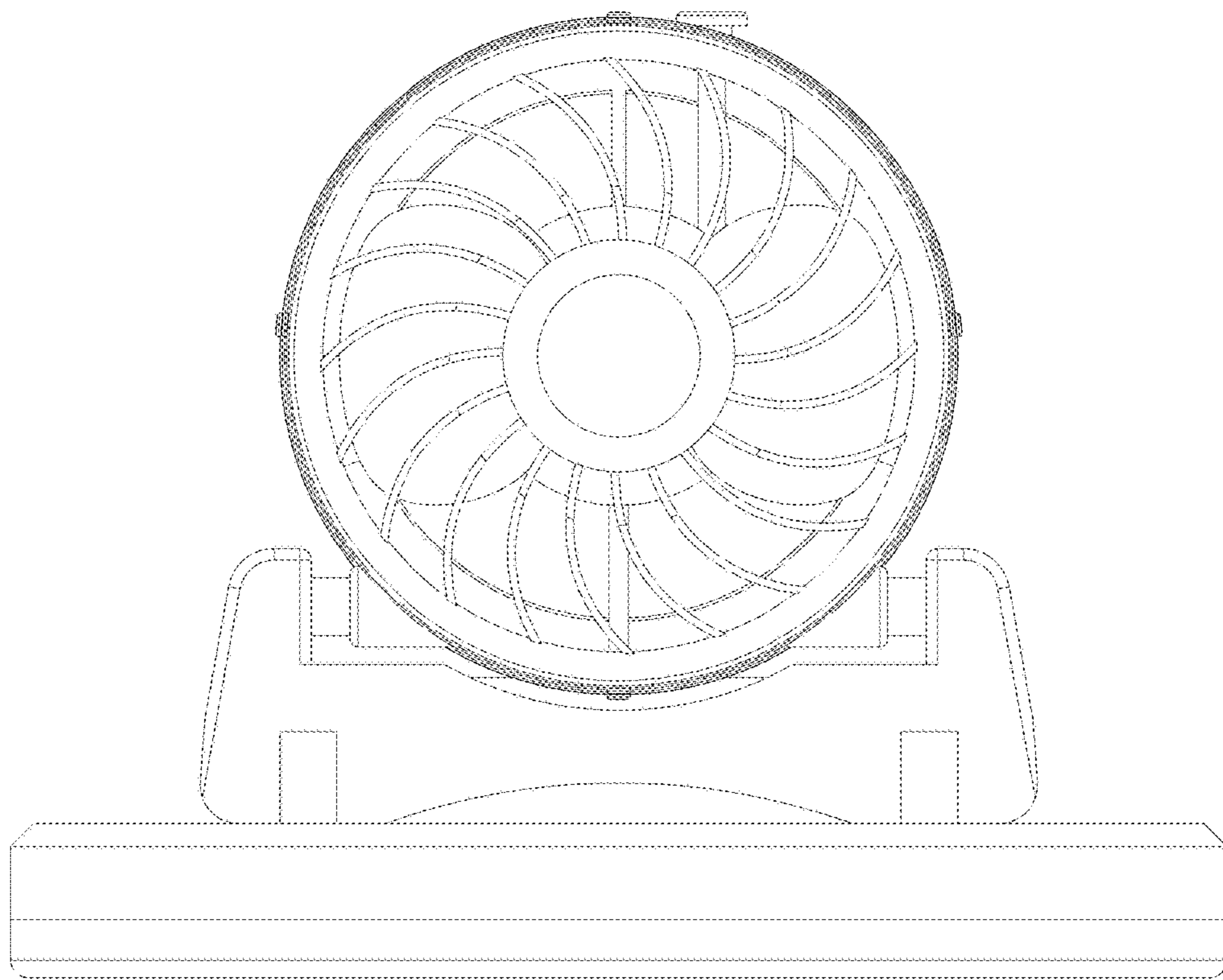


FIG. 2

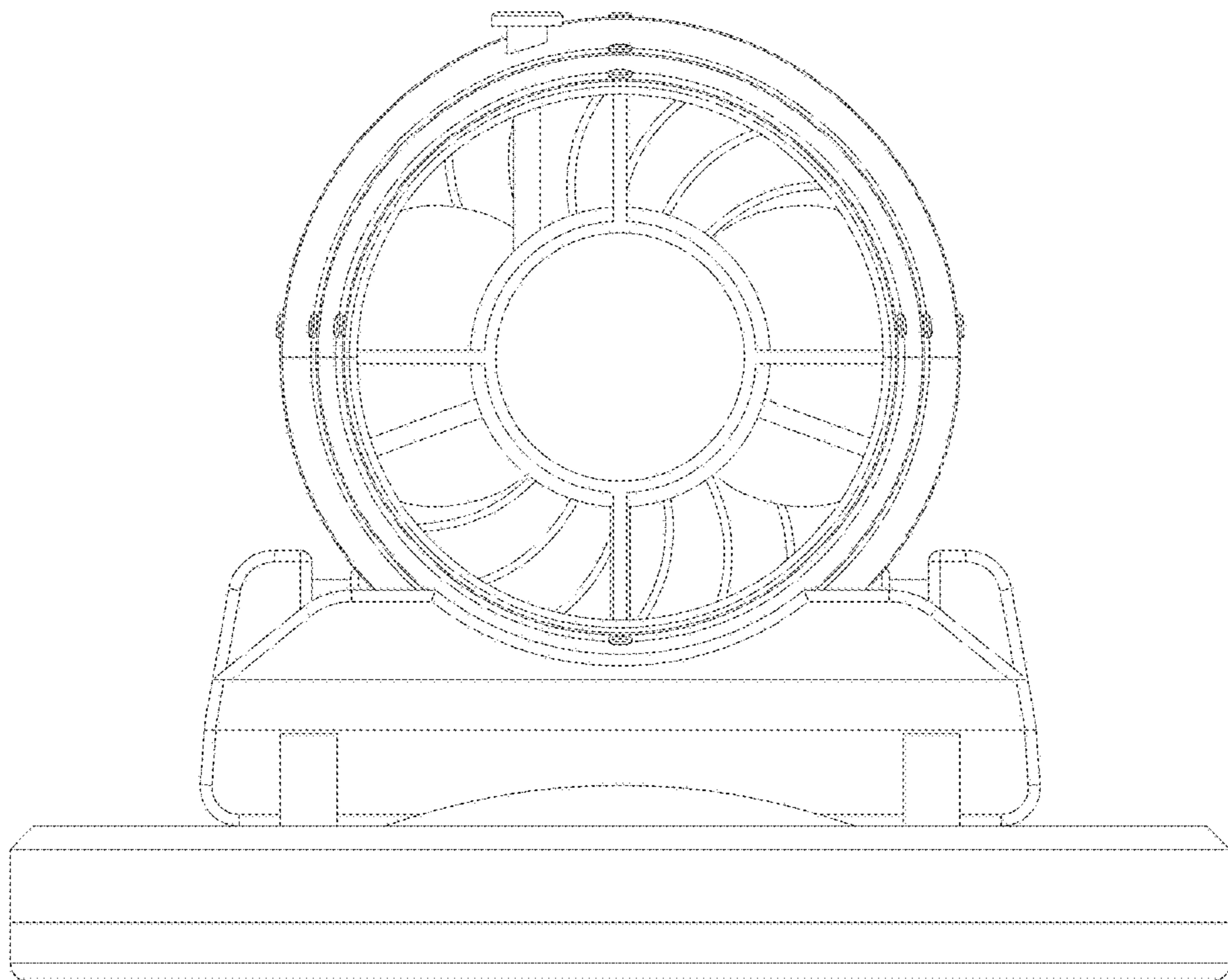


FIG. 3

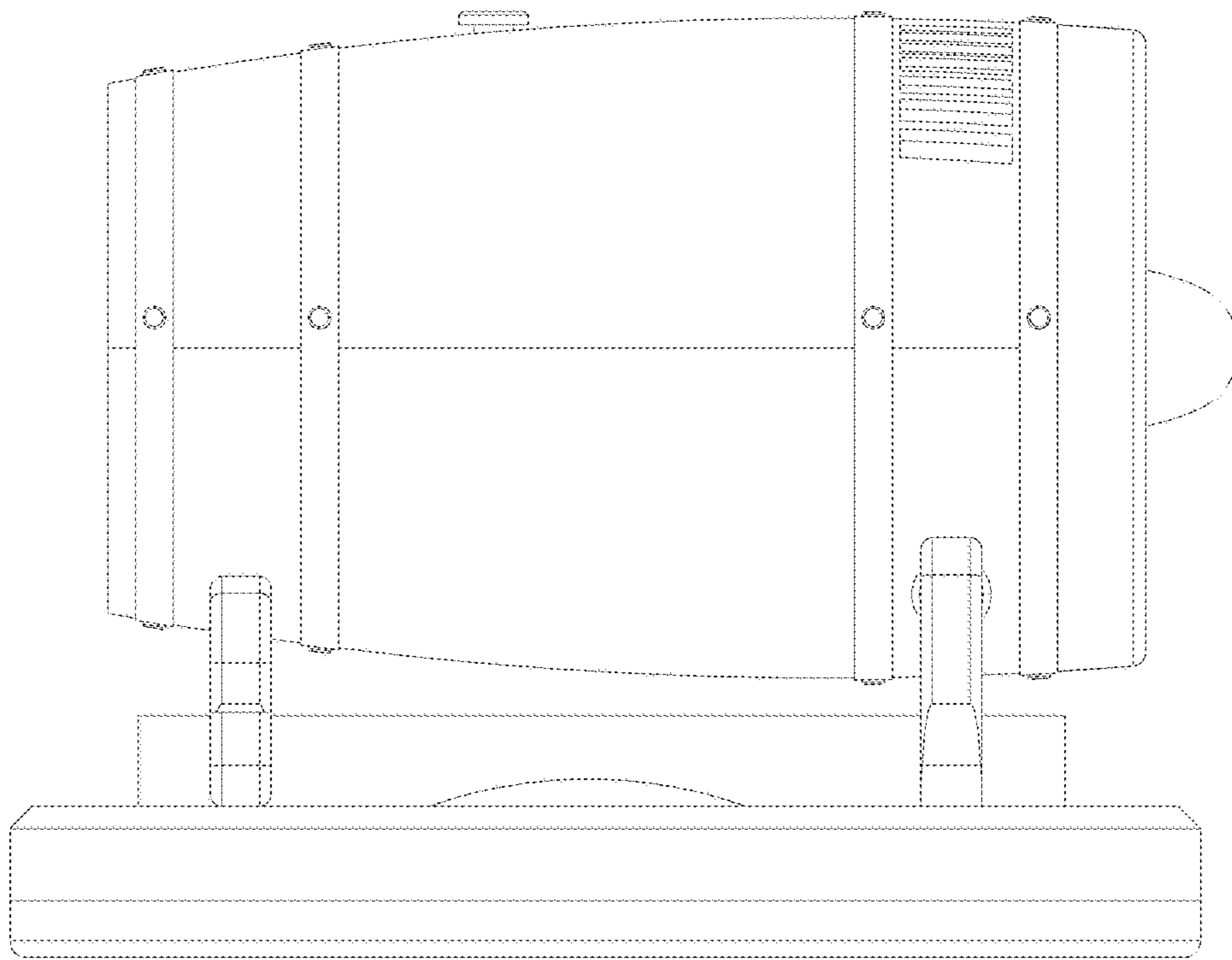


FIG. 4

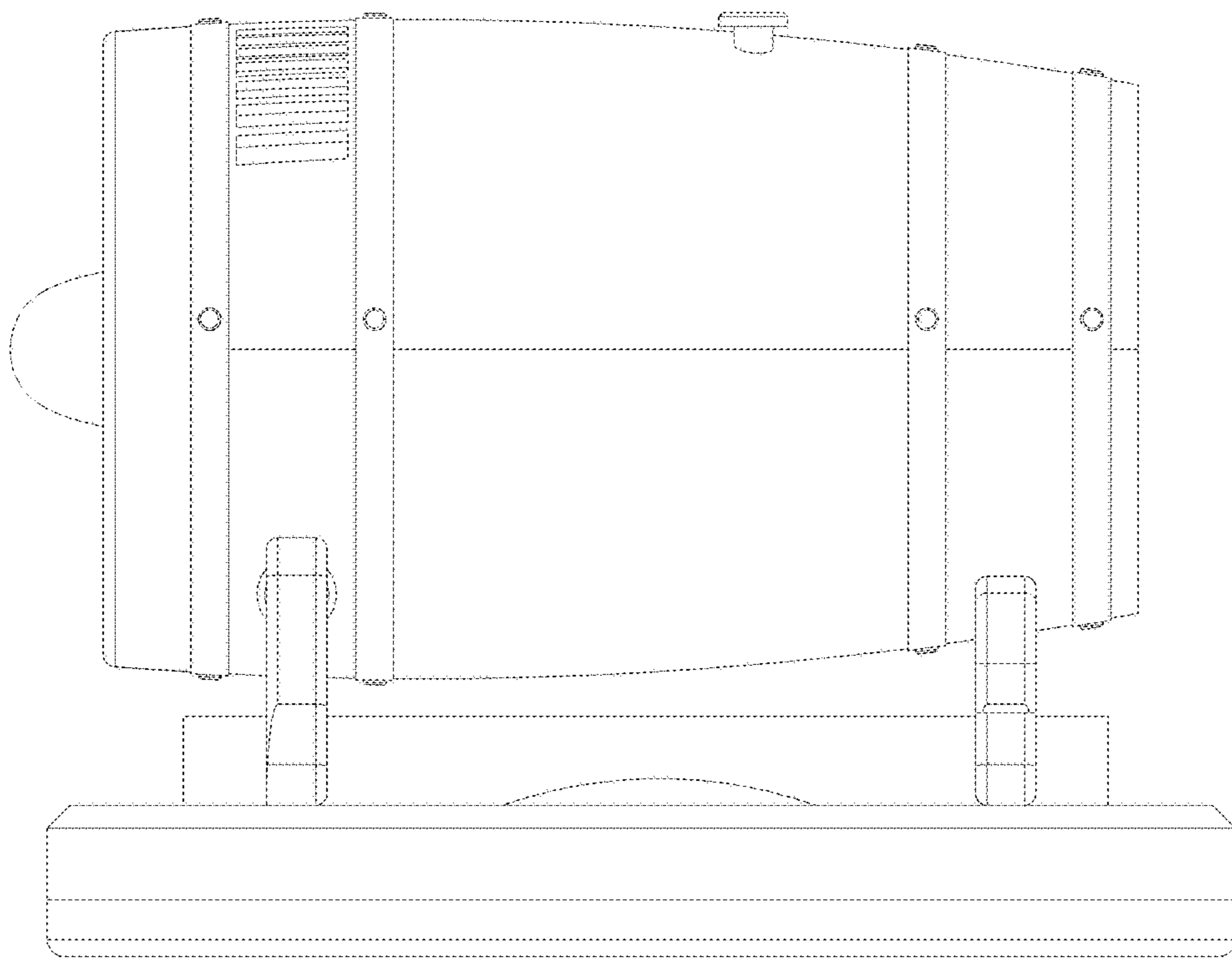


FIG. 5

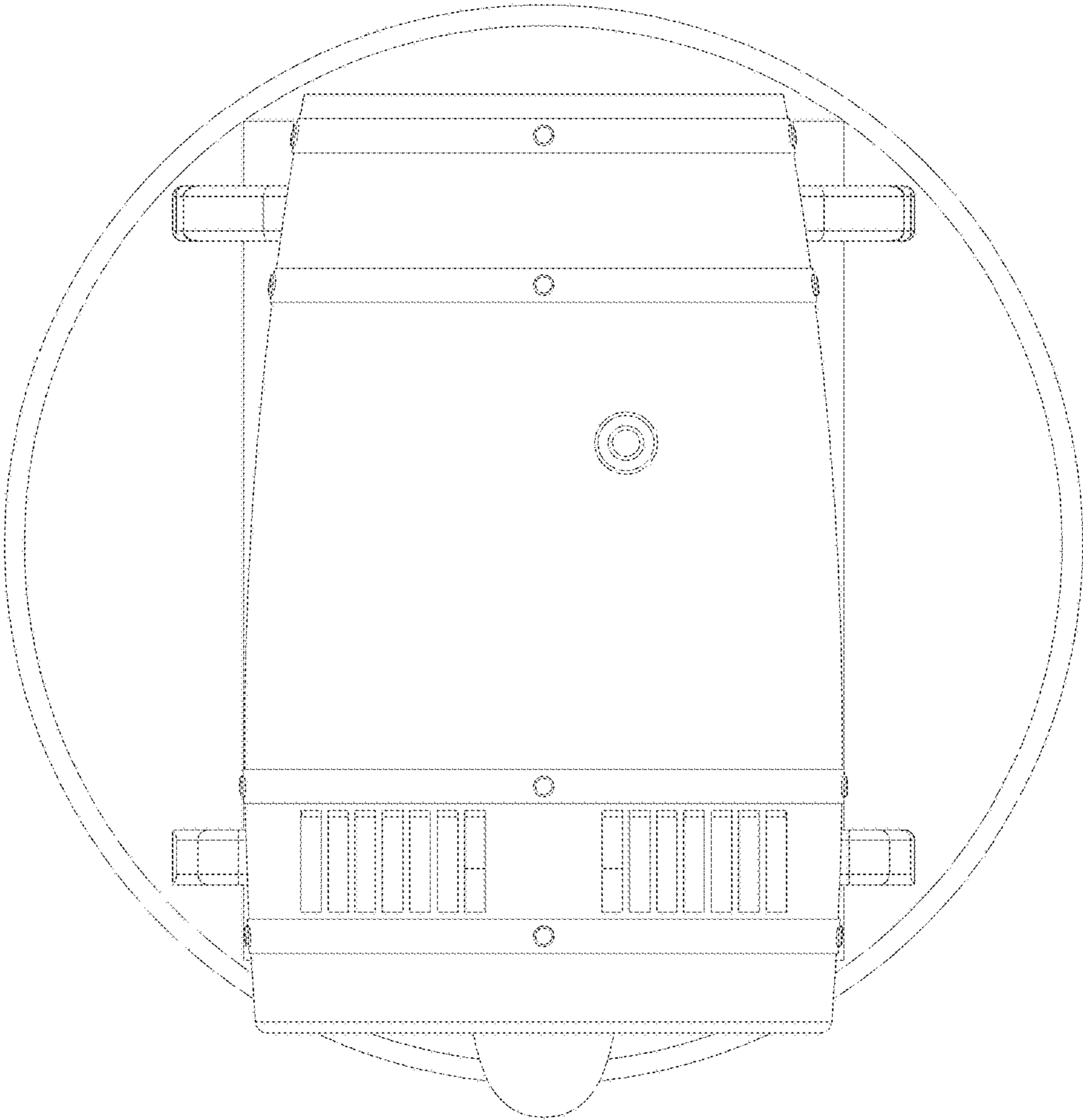


FIG. 6

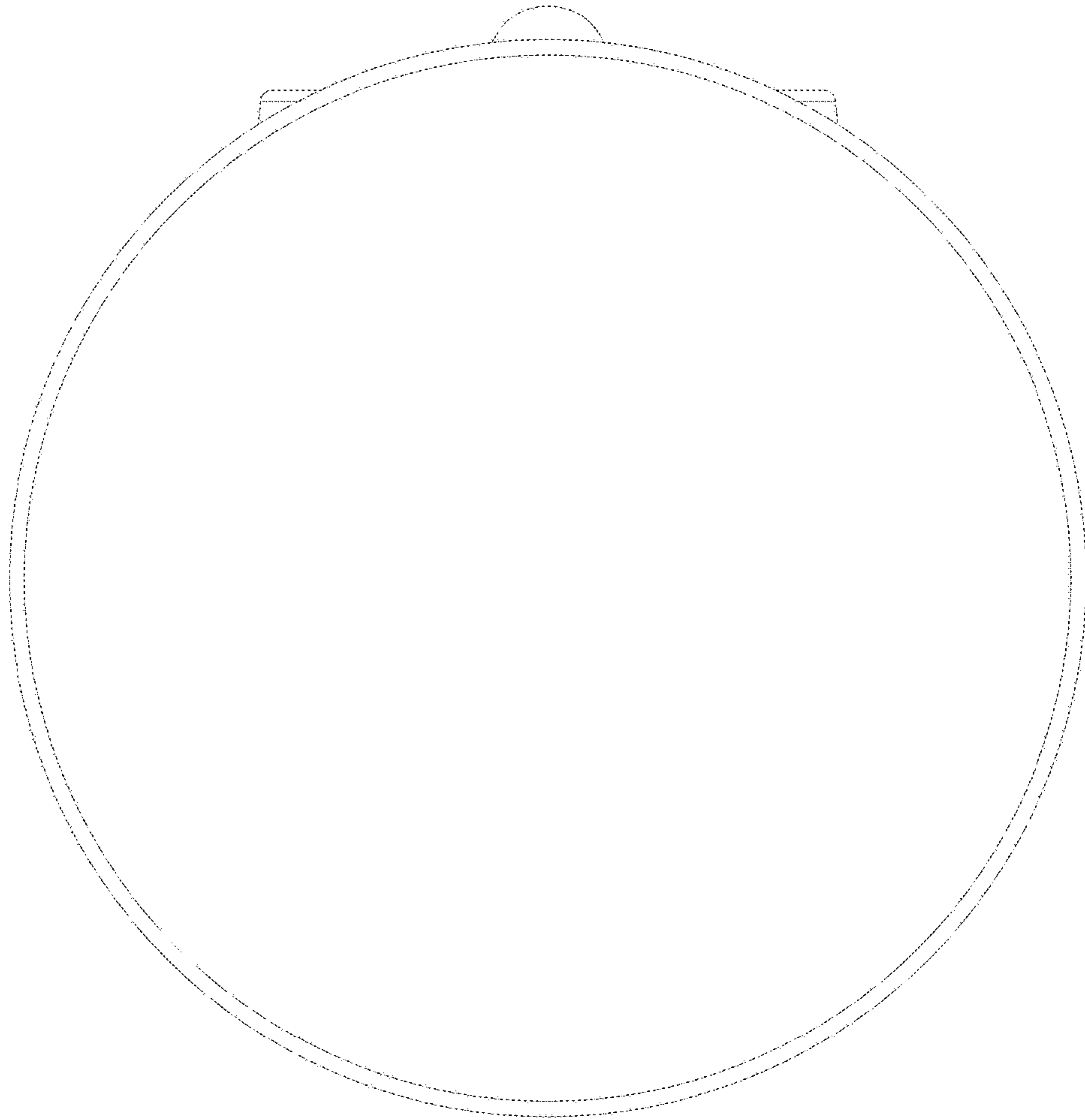


FIG. 7