



US00D845460S

(12) **United States Design Patent** (10) **Patent No.:** **US D845,460 S**  
**Li** (45) **Date of Patent:** **\*\* Apr. 9, 2019**

(54) **AROMATHERAPY MACHINE**

D807,226 S \* 1/2018 Wessel ..... D11/131.1  
D807,486 S \* 1/2018 Li ..... D23/366  
D815,270 S \* 4/2018 Li ..... D23/366

(71) Applicant: **Yan Li**, Shenzhen (CN)

(72) Inventor: **Yan Li**, Shenzhen (CN)

(73) Assignee: **SHENZHEN QIANHAI JUNLIAN NETWORK TECHNOLOGY CO., LTD.**, Shenzhen (CN)

(\*\*) Term: **15 Years**

(21) Appl. No.: **29/626,727**

(22) Filed: **Nov. 20, 2017**

(51) **LOC (11) Cl.** ..... **28-99**

(52) **U.S. Cl.**  
USPC ..... **D23/366**

(58) **Field of Classification Search**  
USPC ..... D23/314, 325, 333-336, 355-367,  
D23/386-388; D11/143-155, 164;  
D9/504, 529, 552, 558, 689; D26/9  
CPC . A61L 9/03; A61L 9/012; A61L 9/015; A61L  
9/037

See application file for complete search history.

(56) **References Cited**

**U.S. PATENT DOCUMENTS**

D323,383 S \* 1/1992 Keays ..... D23/366  
D403,470 S \* 12/1998 Litton ..... D28/82  
D491,257 S \* 6/2004 Picken, Jr. .... D23/366  
D512,636 S \* 12/2005 Pace ..... D9/504  
D515,426 S \* 2/2006 Pace ..... D9/504  
D679,990 S \* 4/2013 O'Brien ..... D9/428  
D681,791 S \* 5/2013 Jorgensen ..... D23/366  
D700,692 S \* 3/2014 Engelhardt ..... D23/366

**OTHER PUBLICATIONS**

Essential Oil Diffuser Humidifier found online [Nov. 16, 2018]—  
[https://www.amazon.com/dp/B07CSMDW61/ref=sspa\\_dk\\_detail\\_5?psc=1&pd\\_rd\\_i=B07CSMDW61&pf\\_rd\\_m=ATVPDKIKX0DER&pf\\_rd\\_p=f0dedbe2-13c8-4136-a746-4398ed93cf0f&pd\\_rd\\_wg=1Yj2H&pf\\_rd\\_r=DBA8MNWKCNYW7FF5382A&pf\\_rd\\_s=desktop-dp-sims&pf\\_rd\\_t=40701&pd\\_rd\\_w=jsYH9&pf\\_rd\\_i.\\*](https://www.amazon.com/dp/B07CSMDW61/ref=sspa_dk_detail_5?psc=1&pd_rd_i=B07CSMDW61&pf_rd_m=ATVPDKIKX0DER&pf_rd_p=f0dedbe2-13c8-4136-a746-4398ed93cf0f&pd_rd_wg=1Yj2H&pf_rd_r=DBA8MNWKCNYW7FF5382A&pf_rd_s=desktop-dp-sims&pf_rd_t=40701&pd_rd_w=jsYH9&pf_rd_i.*)

\* cited by examiner

*Primary Examiner* — Karen E Kearney

*Assistant Examiner* — John A Voytek

(74) *Attorney, Agent, or Firm* — Law Offices of Steven W. Weinrieb

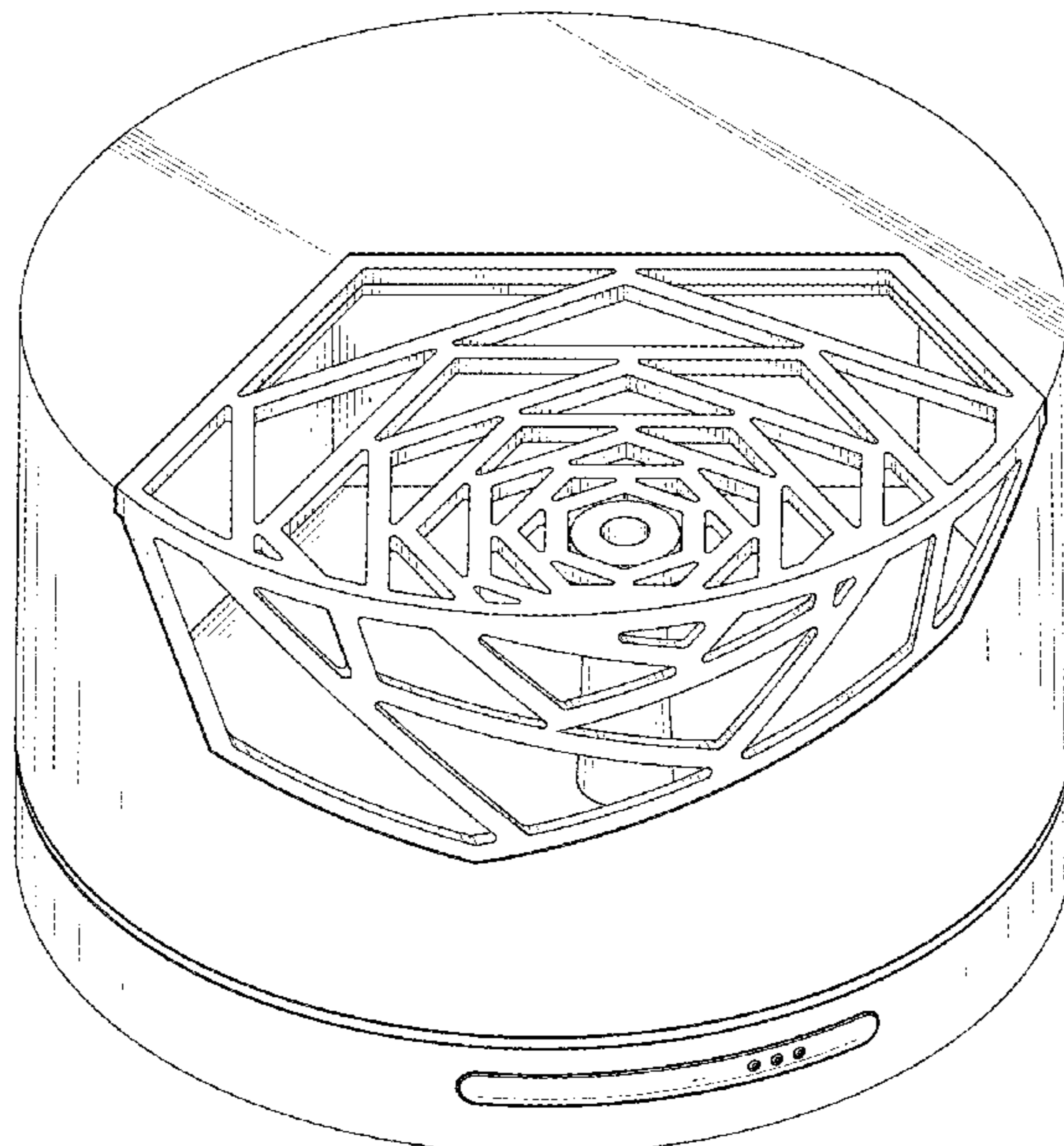
(57) **CLAIM**

The ornamental design for an aromatherapy machine, as shown and described.

**DESCRIPTION**

FIG. 1 is a front top perspective view of the aromatherapy machine showing my new design;  
FIG. 2 is rear bottom perspective view thereof;  
FIG. 3 is a front elevational view thereof;  
FIG. 4 is a rear elevational view thereof.  
FIG. 5 is a left side elevational view thereof;  
FIG. 6 is a right side elevational view thereof;  
FIG. 7 is a top plan view thereof; and,  
FIG. 8 is a bottom plan view thereof.

**1 Claim, 8 Drawing Sheets**



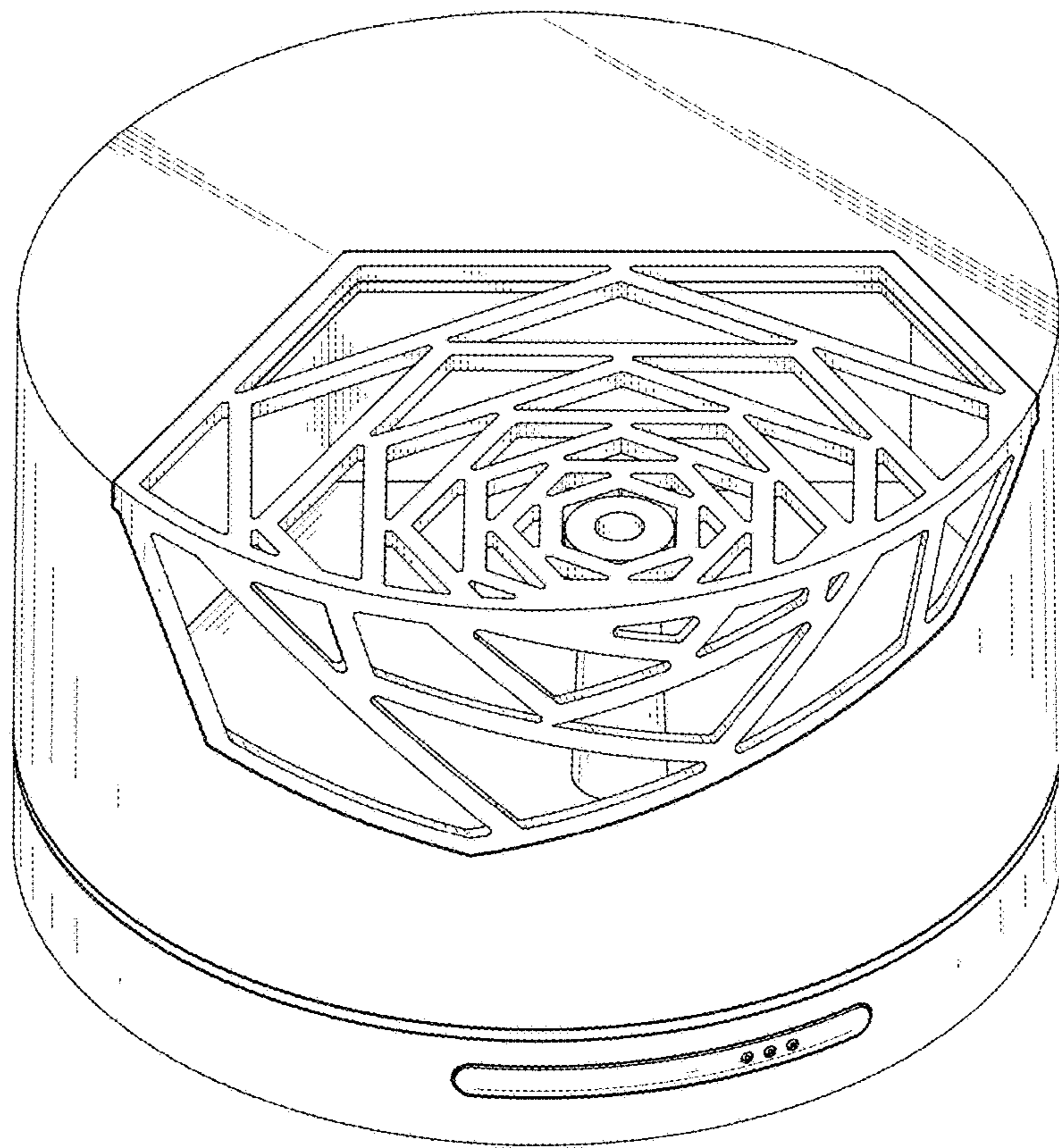


FIG. 1

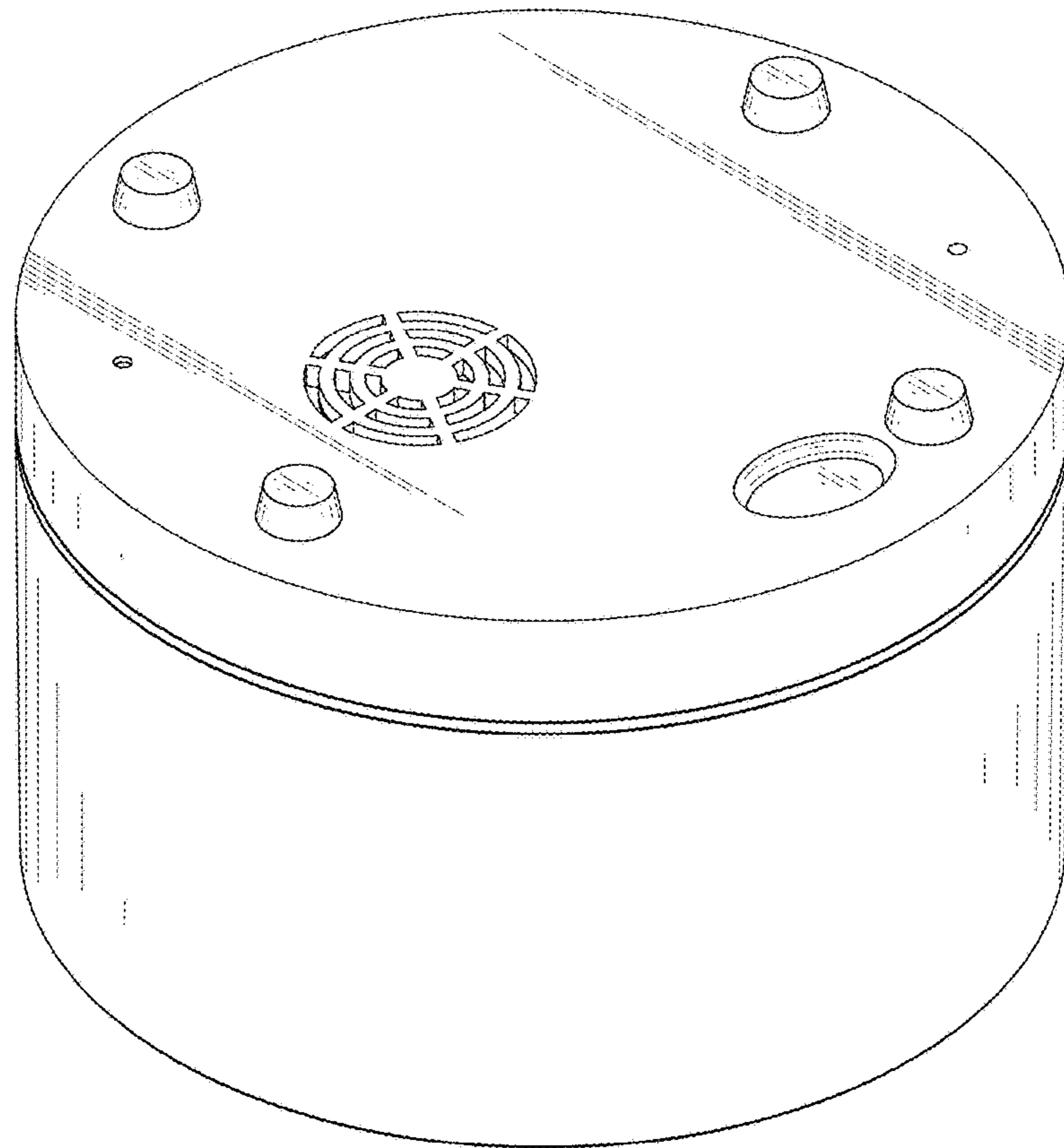


FIG. 2

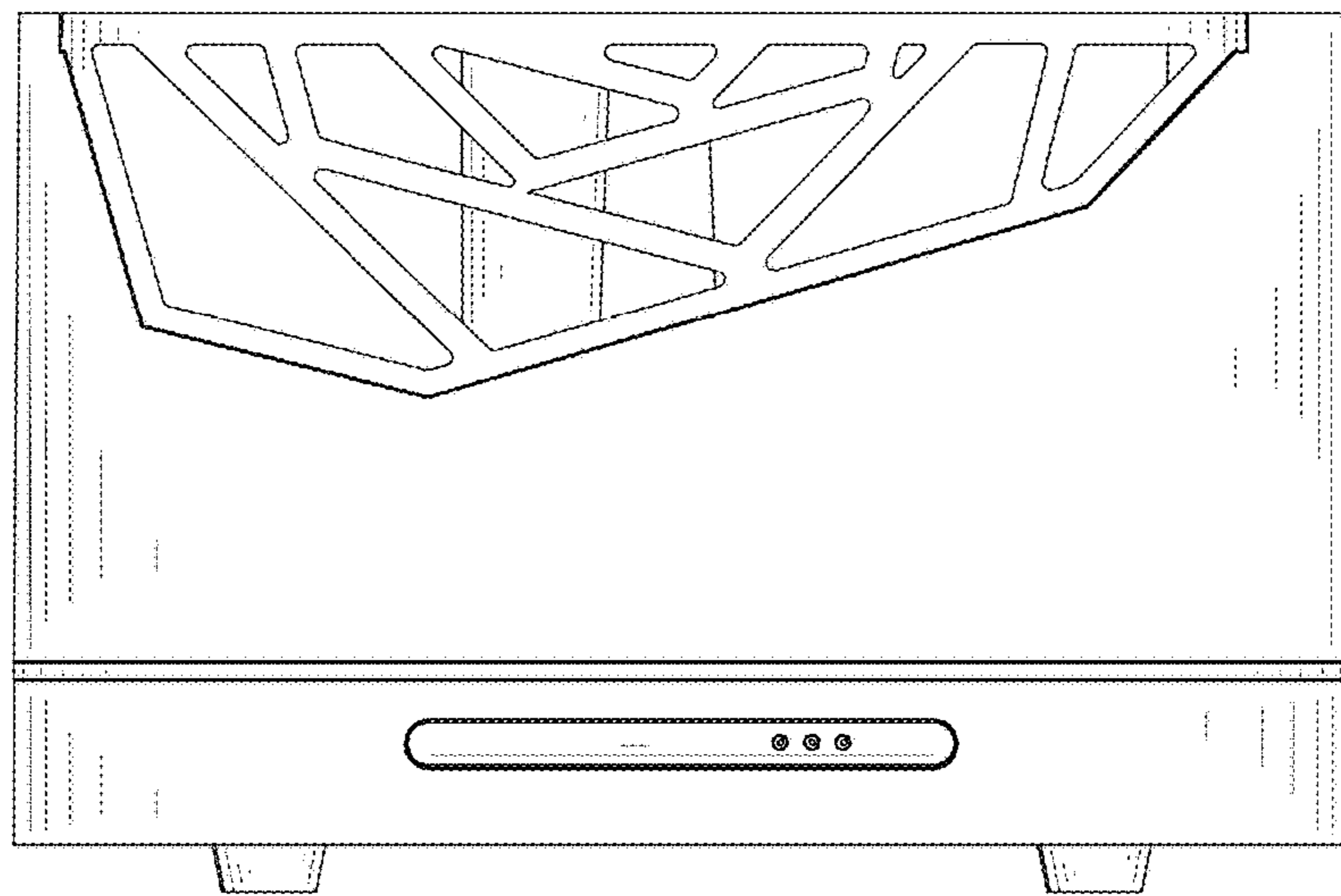


FIG. 3

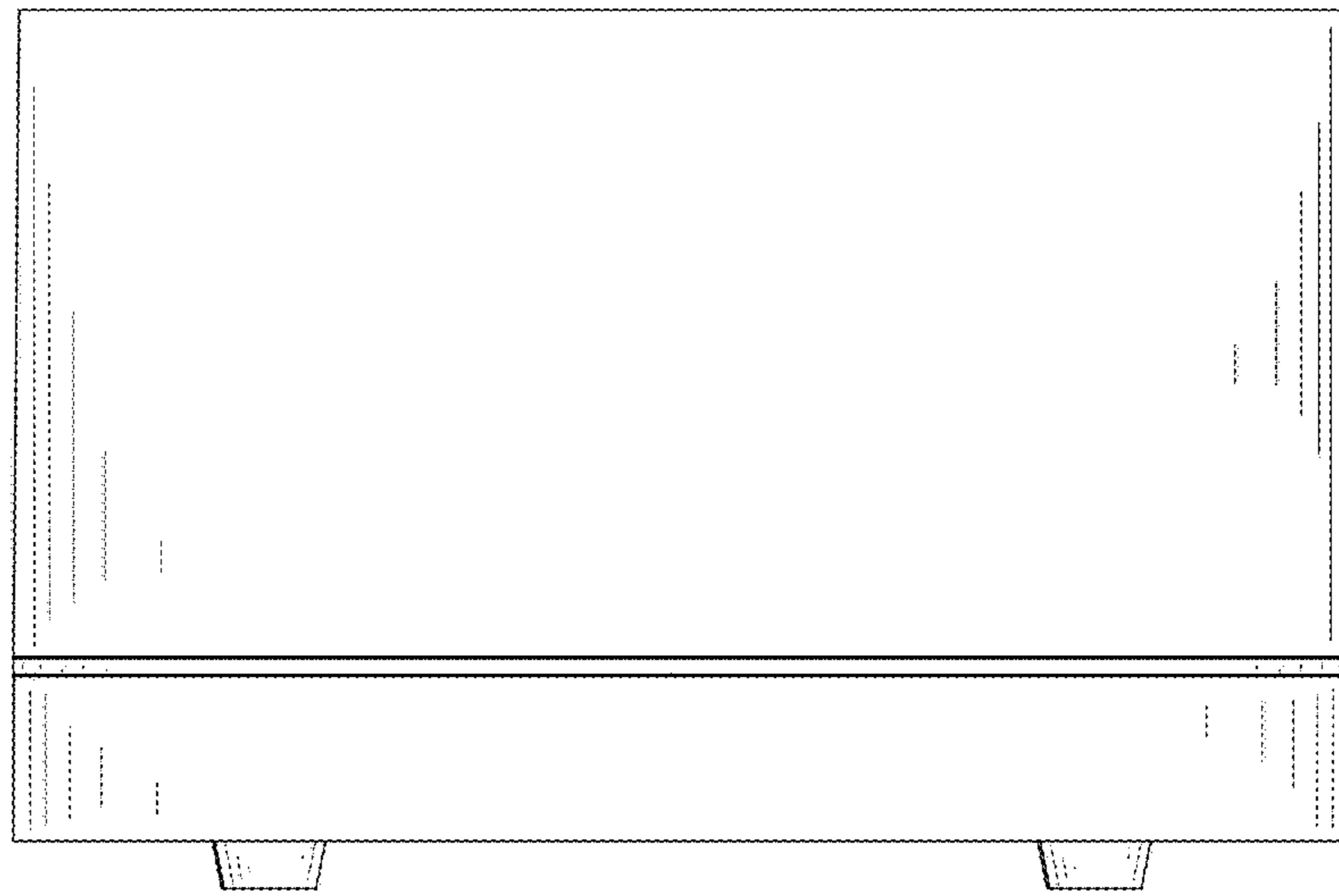


FIG. 4

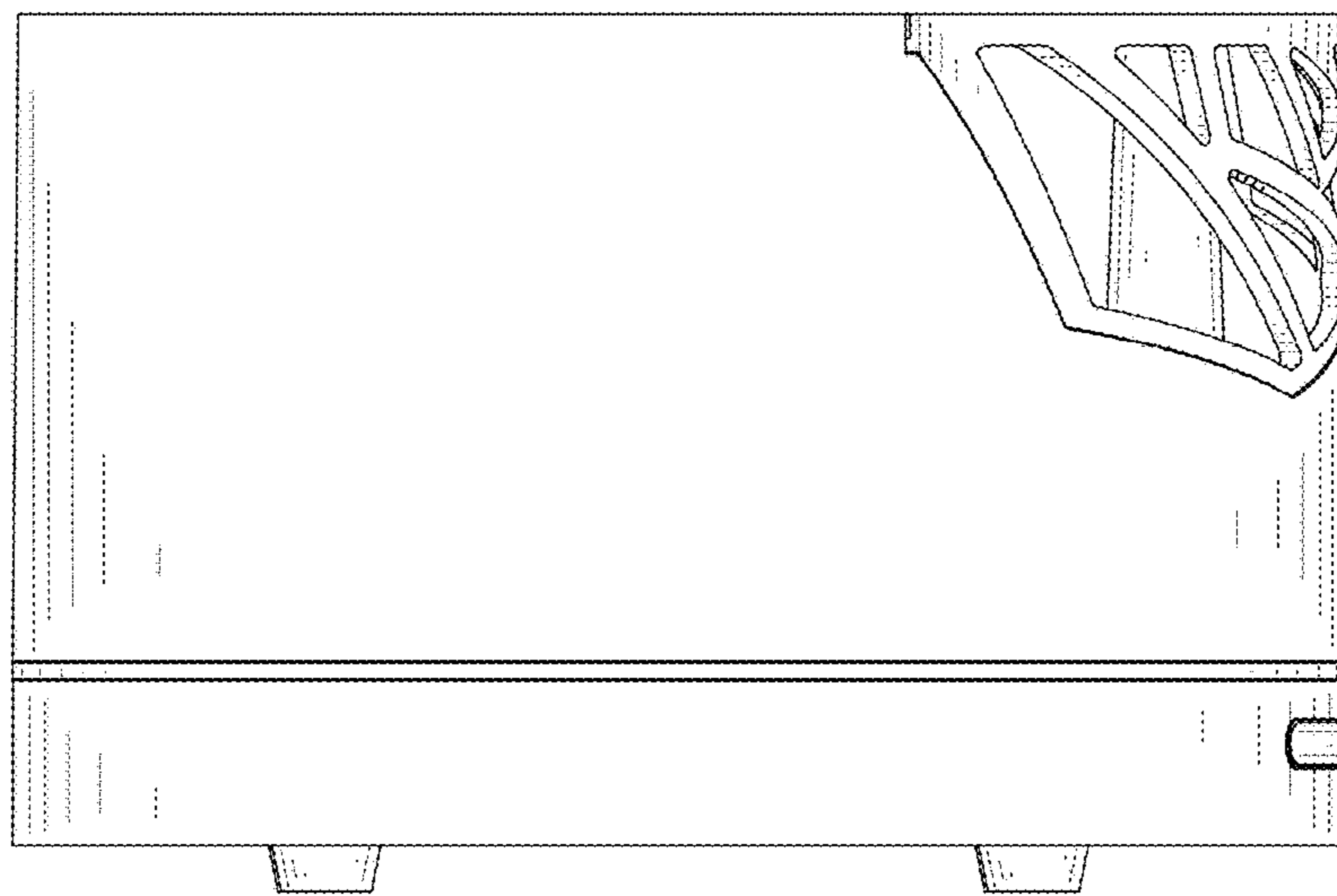


FIG. 5



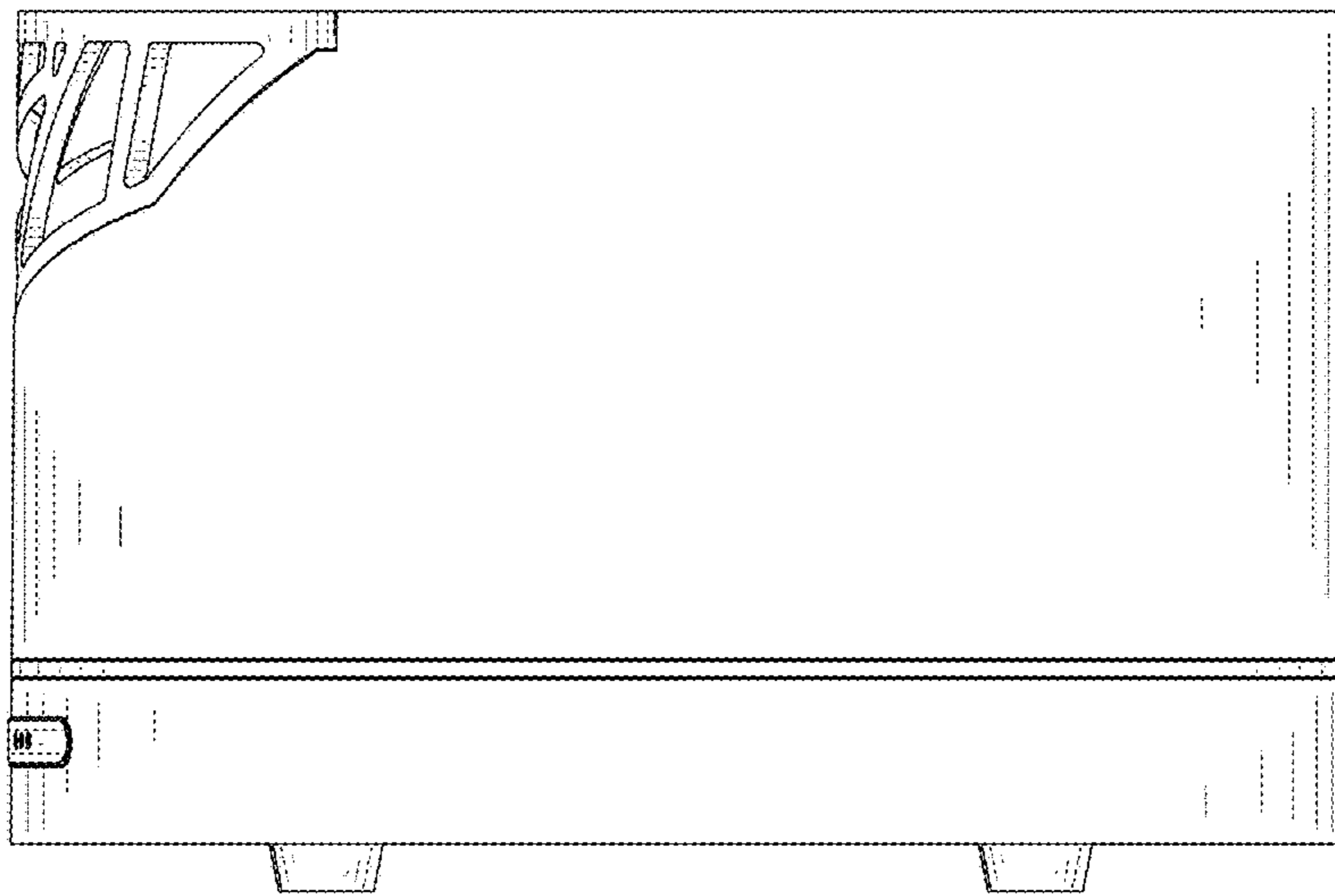


FIG. 6

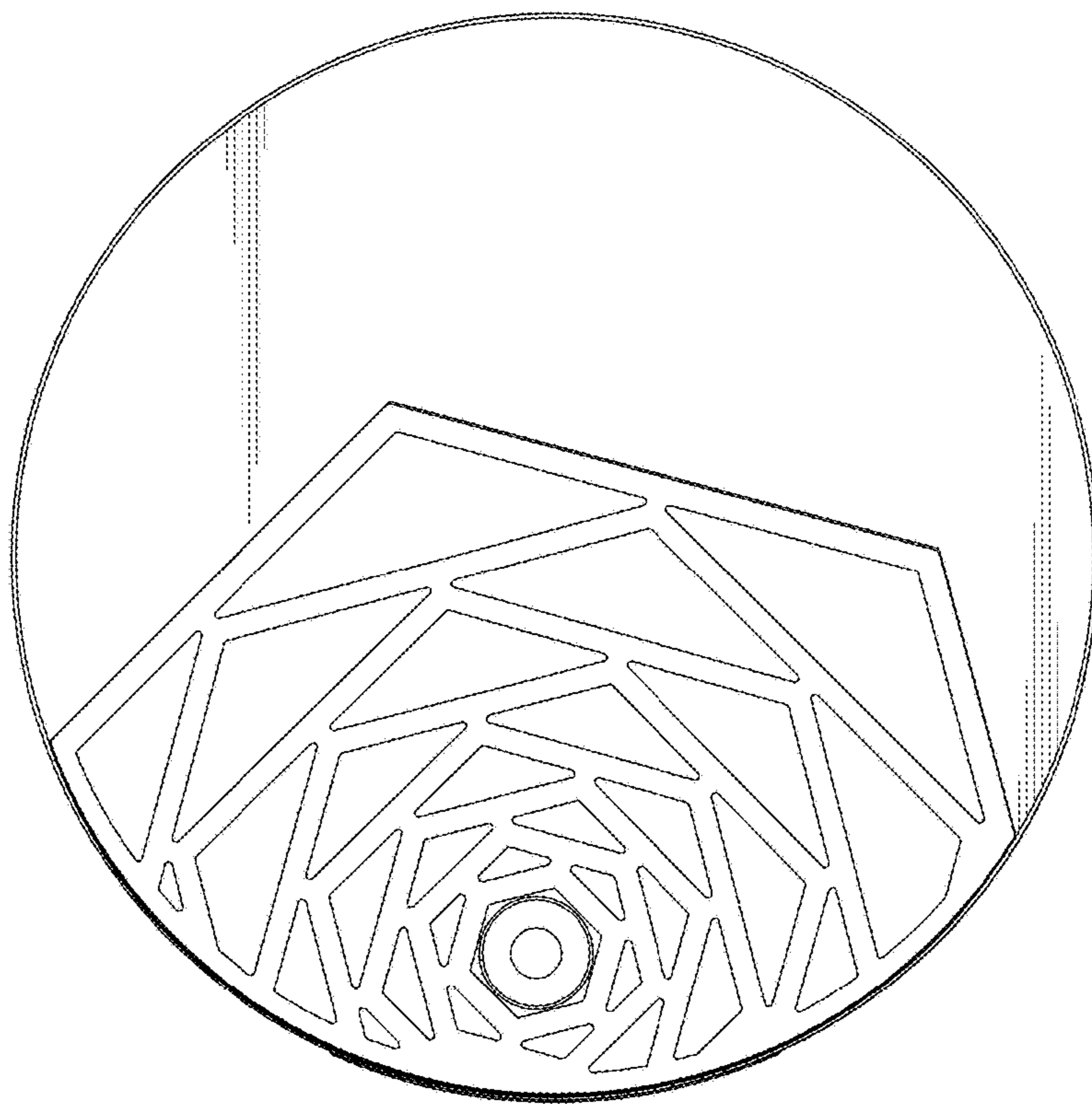


FIG. 7



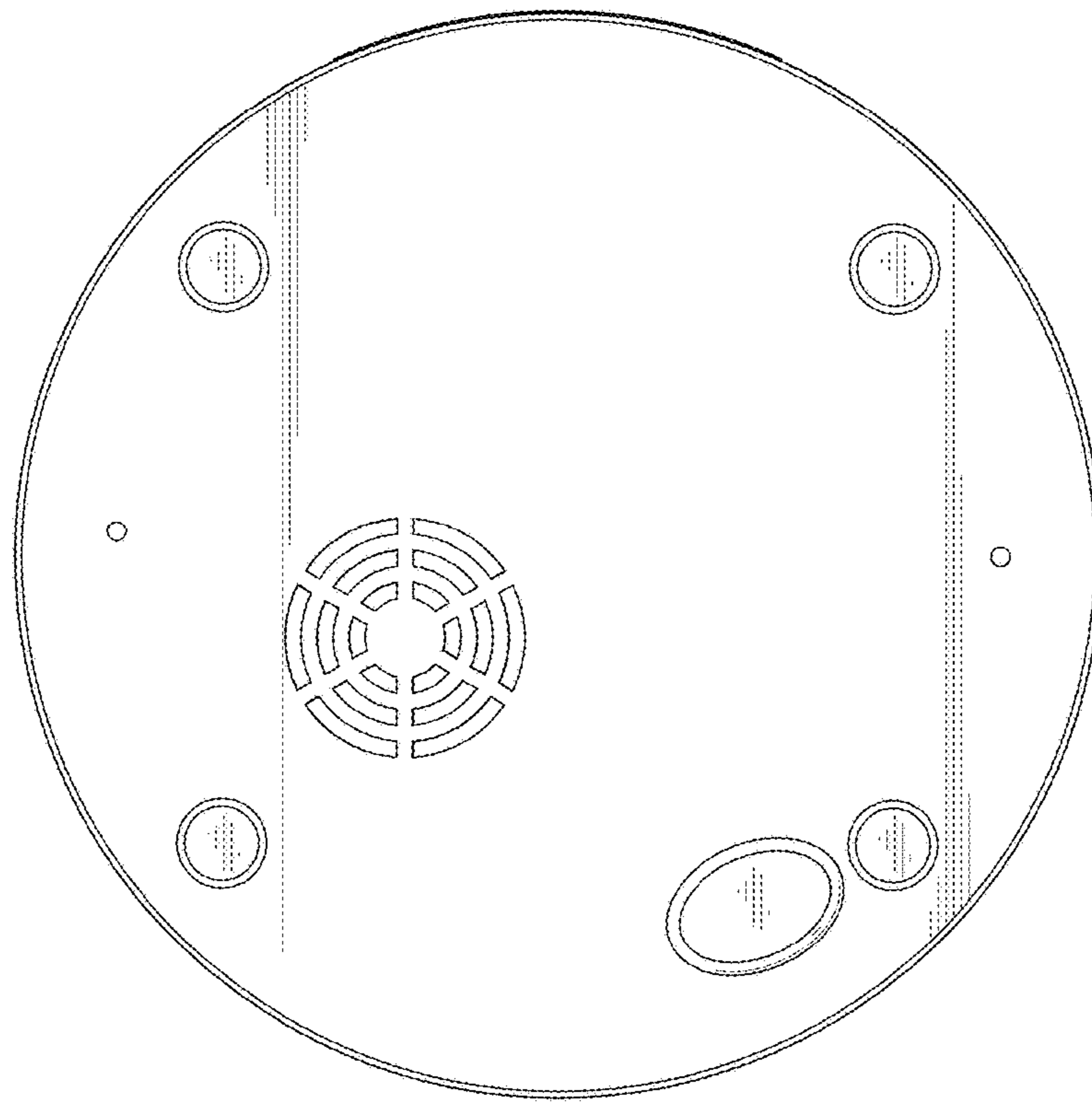


FIG. 8