



US00D845457S

(12) **United States Design Patent** (10) **Patent No.:** **US D845,457 S**
King, Jr. (45) **Date of Patent:** **** Apr. 9, 2019**

(54) **VACUUM EXHAUST FILTER** D382,679 S * 8/1997 Dyson D32/21
5,690,713 A 11/1997 Bowerman
(71) Applicant: **Jack M King, Jr.**, Phoenix, AZ (US) D406,419 S * 3/1999 Shade D32/21
6,113,663 A 9/2000 Liu
(72) Inventor: **Jack M King, Jr.**, Phoenix, AZ (US) D445,226 S * 7/2001 Jupp D32/21
6,325,844 B1 12/2001 Mead
6,553,610 B1 * 4/2003 Shideler A47L 5/36
(73) Assignee: **SKITTER & SQUIRT** 15/327.5
ADVENTURES, LLC, Missoula, MT
(US) 6,758,874 B1 7/2004 Hunter
(Continued)

(**) Term: **15 Years**

OTHER PUBLICATIONS

(21) Appl. No.: **29/611,459**
(22) Filed: **Jul. 21, 2017**
(51) **LOC (11) Cl.** **23-04**
(52) **U.S. Cl.**
USPC **D23/365**
(58) **Field of Classification Search**
USPC D23/209, 235, 341, 358, 363-365;
D15/5; D32/21-25, 31, 32
CPC F02M 35/04; F02M 35/10; F02M 35/024;
B01D 46/0002; B01D 46/10
See application file for complete search history.

A Psimple Psaltery, Making a Carbon Filter ShopVac Extention,
Last Accessed: Jul. 19, 2017, <http://www.apsimplepsaltery.com/tips-and-tools/making-a-carbon-filter-shopvac-extension/>.

(Continued)

Primary Examiner — Brandon M Rosati
Assistant Examiner — John A Voytek
(74) *Attorney, Agent, or Firm* — Lisa Foundation Patent
Law Clinic at Arizona State University

(57) **CLAIM**

The ornamental design for a vacuum exhaust filter, as shown and described.

(56) **References Cited**

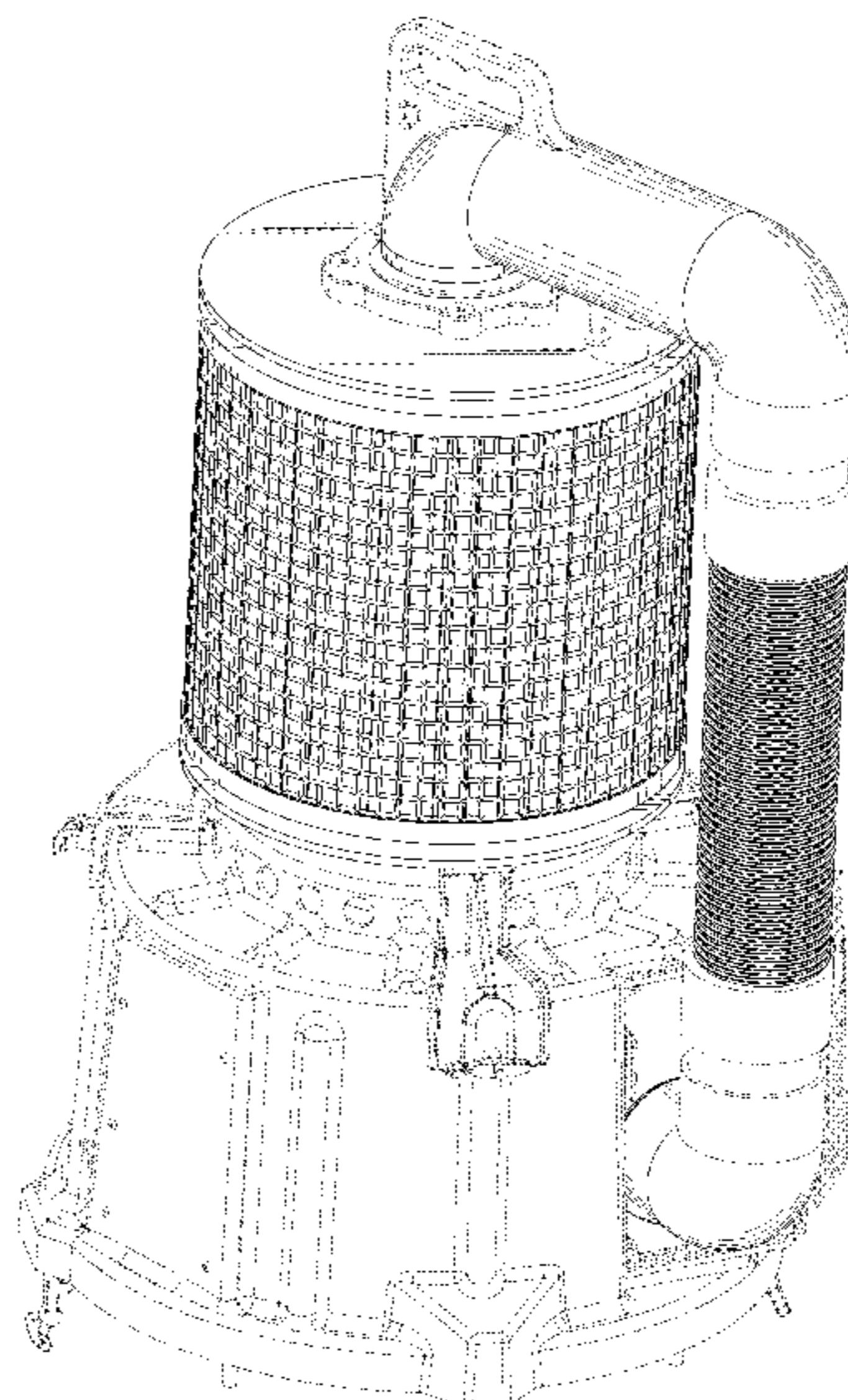
DESCRIPTION

U.S. PATENT DOCUMENTS

3,006,020 A * 10/1961 Fillery A47L 9/26
15/323
3,120,432 A 2/1964 Aldrich
4,133,658 A 1/1979 Callewyn
D261,515 S * 10/1981 Schaefer D32/23
4,314,831 A 2/1982 Barbic
4,726,825 A 2/1988 Natale
4,929,261 A 5/1990 Jacobson
D312,517 S * 11/1990 Hohrein, II D32/21
5,069,696 A 12/1991 Bruno
5,096,472 A 3/1992 Perry
D329,081 S * 9/1992 Jonasson D23/209
5,301,388 A 4/1994 Zeren
D351,695 S * 10/1994 Martinez D32/23

FIG. 1 is a front perspective view of a vacuum exhaust filter;
FIG. 2 is a right side perspective view thereof;
FIG. 3 is a back view thereof;
FIG. 4 is a front view thereof;
FIG. 5 is a left side view thereof;
FIG. 6 is a right side view thereof;
FIG. 7 is a top view thereof; and,
FIG. 8 is a bottom view thereof.
The broken lines are included for the purposes of illustrating
environmental features and form no part of the claimed
design.

1 Claim, 8 Drawing Sheets



(56)

References Cited

U.S. PATENT DOCUMENTS

7,044,991 B2 * 5/2006 Wang B01D 46/0057
55/356
D533,694 S * 12/2006 Cheng D32/21
D572,420 S * 7/2008 Genoa D32/21
7,550,021 B2 6/2009 Witter
D601,314 S * 9/2009 Catron D32/21
7,615,090 B2 * 11/2009 Archambault A47L 5/38
15/353
D630,392 S * 1/2011 Lin D32/21
D634,082 S * 3/2011 Lin D32/21
D640,022 S * 6/2011 Paterson D32/21
8,161,597 B2 4/2012 Witter
D670,045 S * 10/2012 Crevling, Jr. D32/21
D680,285 S * 4/2013 Bilger D32/18
D745,129 S * 12/2015 Nakagawa D23/364
D758,558 S * 6/2016 McPhilliomy D23/364
2006/0037291 A1 * 2/2006 Oh A47L 9/1608
55/337

OTHER PUBLICATIONS

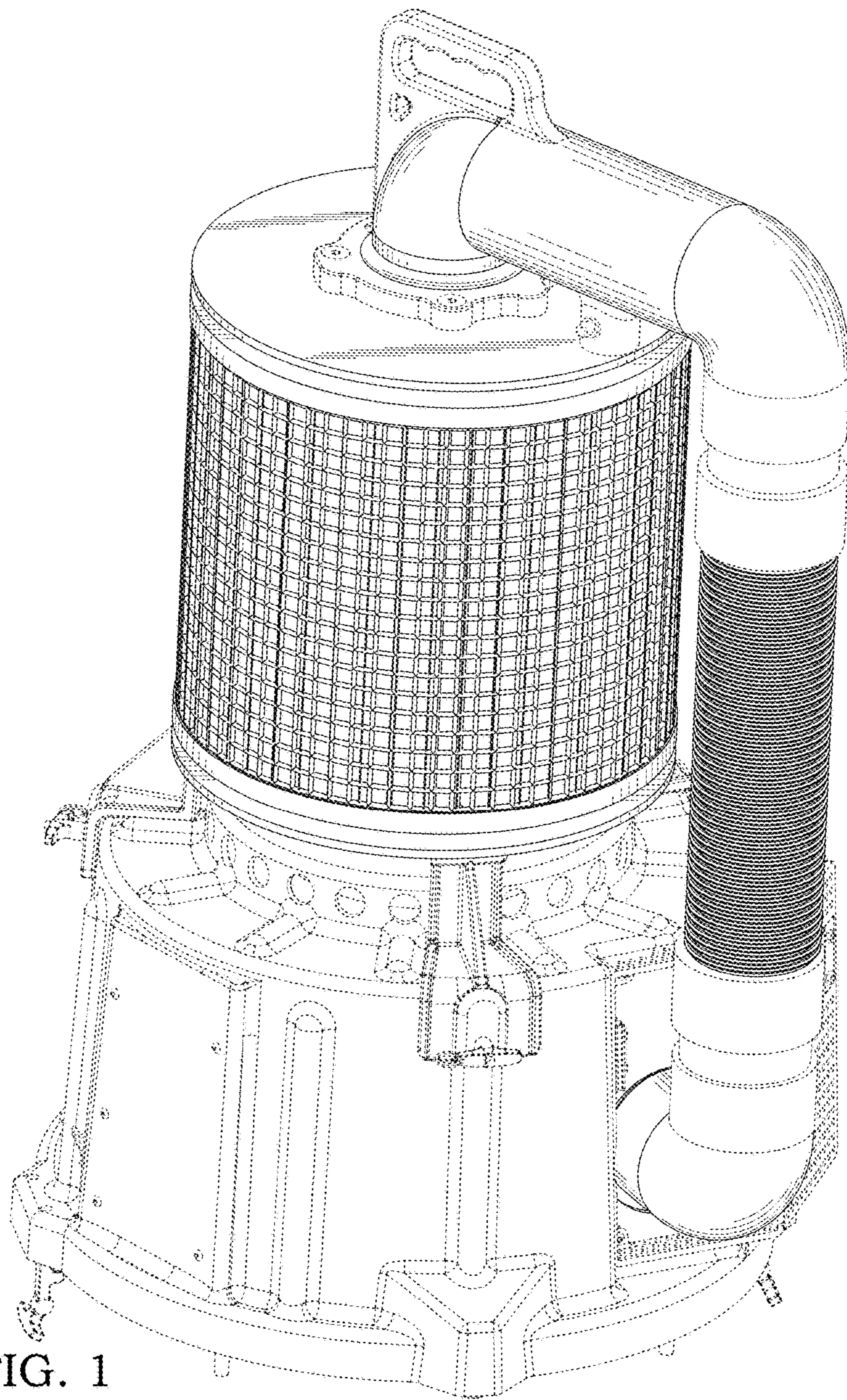
Tornado, Jumbo Electric Series, Last Accessed: Jul. 19, 2017,
<https://tornadovac.com/store/product.aspx?pid=29>.

Oneida Air Systems, The Dust Deputy, Last Accessed: Jul. 19, 2017,
https://www.amazon.com/Oneida-Air-Systems-AXD000004A-Deputy/dp/B002GZLCHM/ref=cm_cr_arp_d_pdt_img_top?ie=UTF8.

Rockler, Rockler Dust Right Wall Mount Dust Collector with
Canister Filter, Last Accessed Jul. 19, 2017, <http://www.rockler.com/rockler-dust-right-wall-mount-dust-collector-with-canister-filter>.

Oneida Air Systems, 1.5HP Mini Gorilla Portable Cyclone Dust
Collector, Last Accessed Jul. 19, 2017, https://www.oneida-air.com/inventoryD.asp?item_no=XXPM010100H&CatId={B75F8739-54DE-47CA-A8FE-4FE9AEFDCC1C}.

* cited by examiner



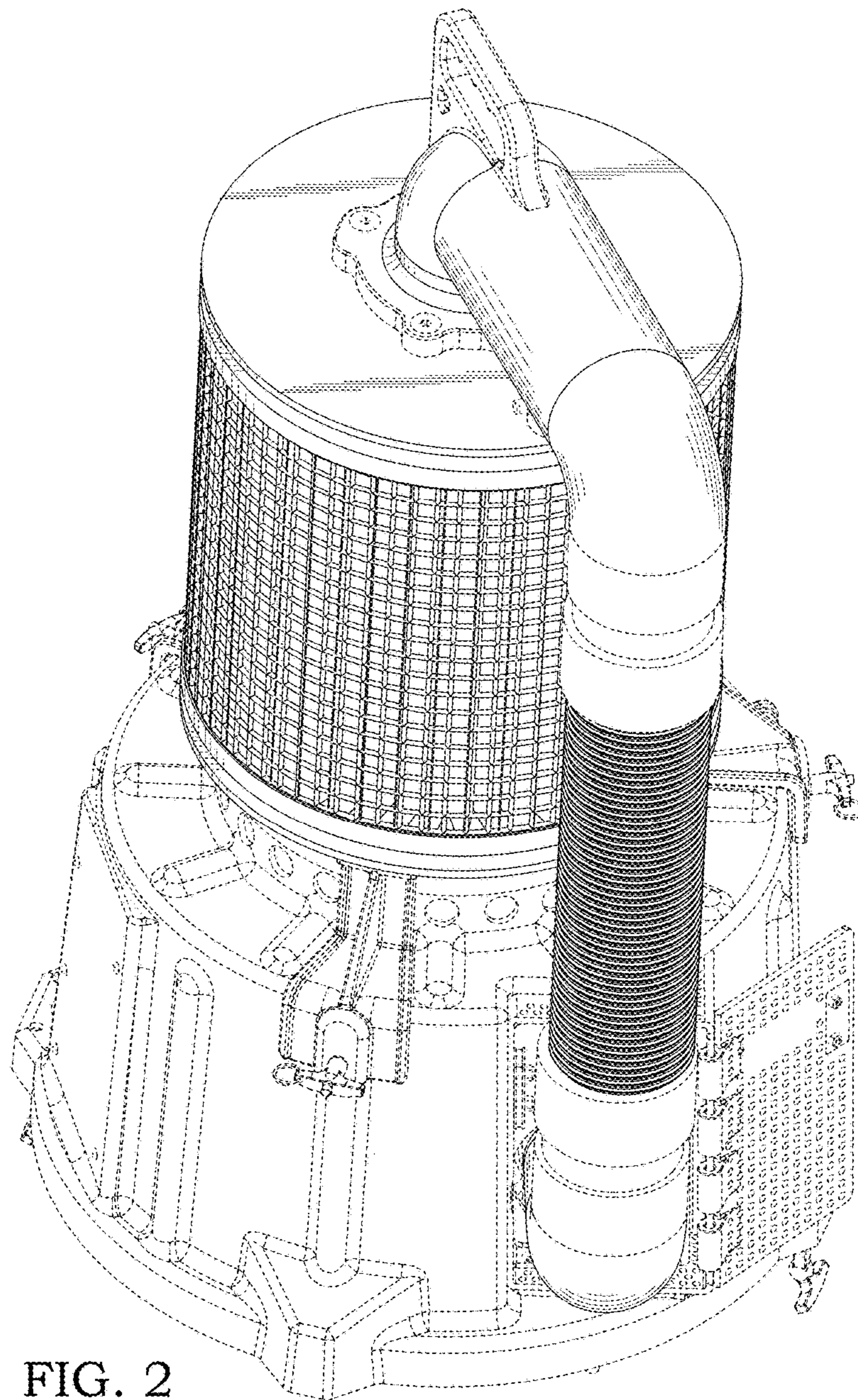


FIG. 2

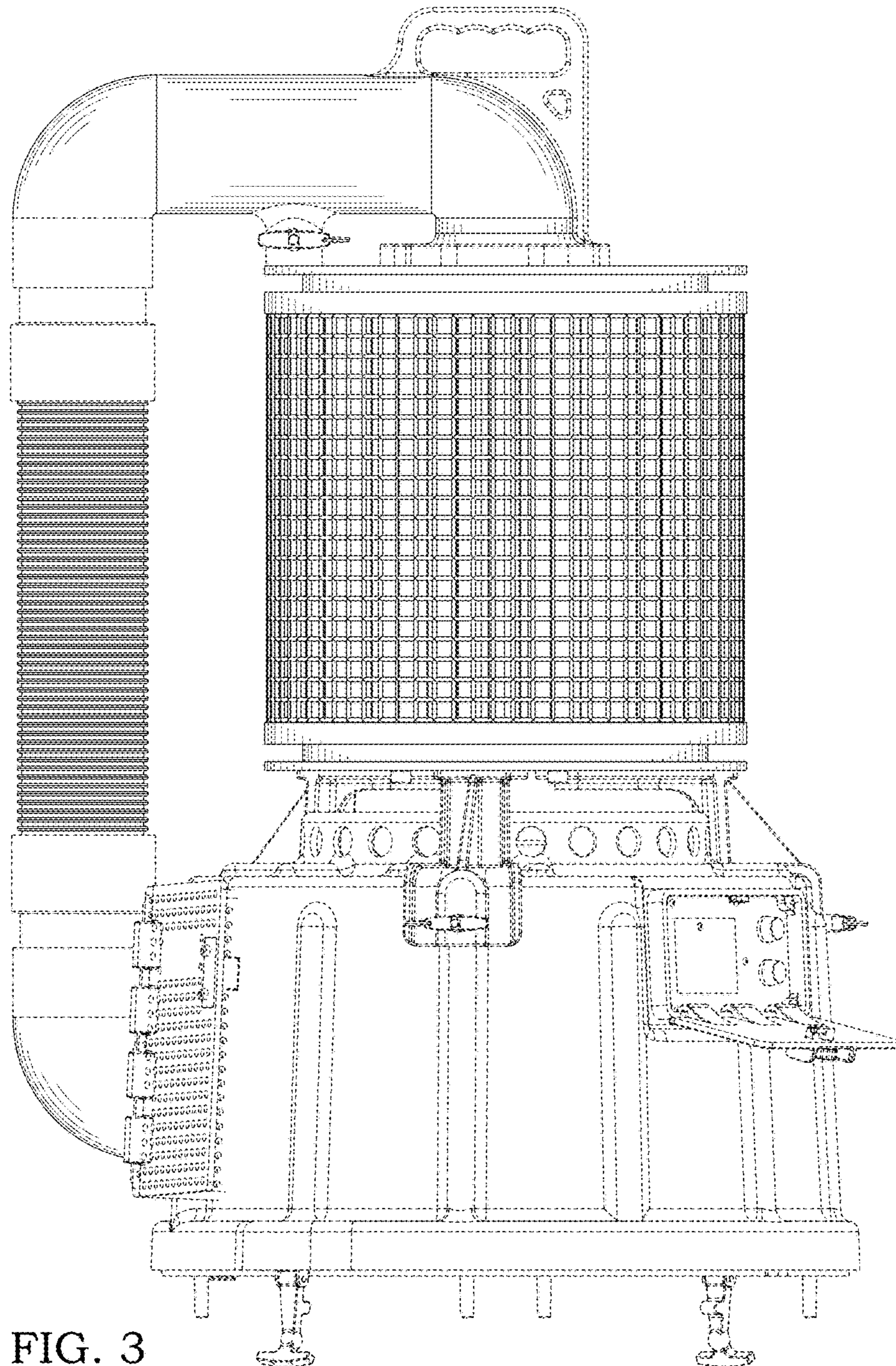


FIG. 3

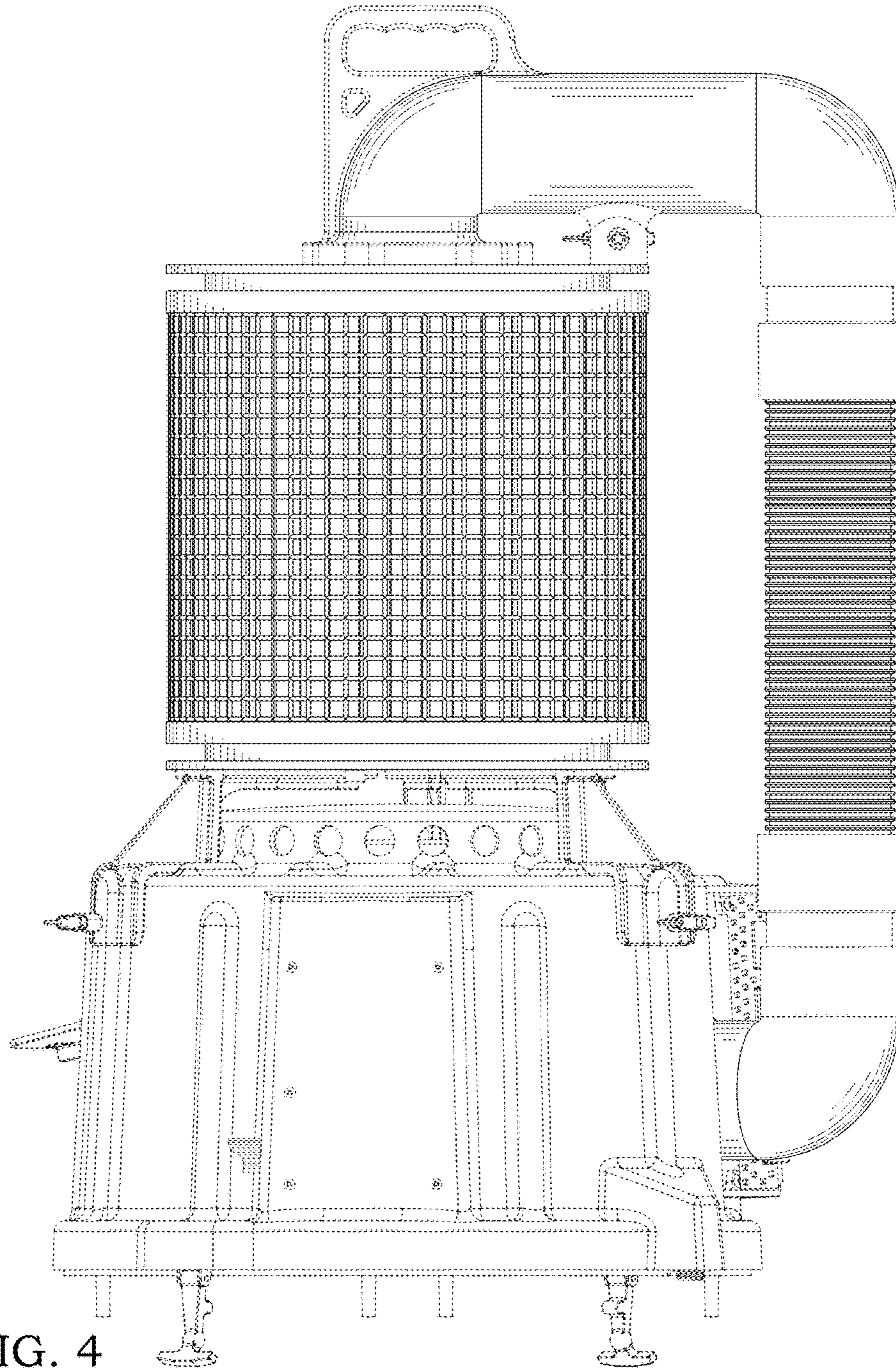


FIG. 4

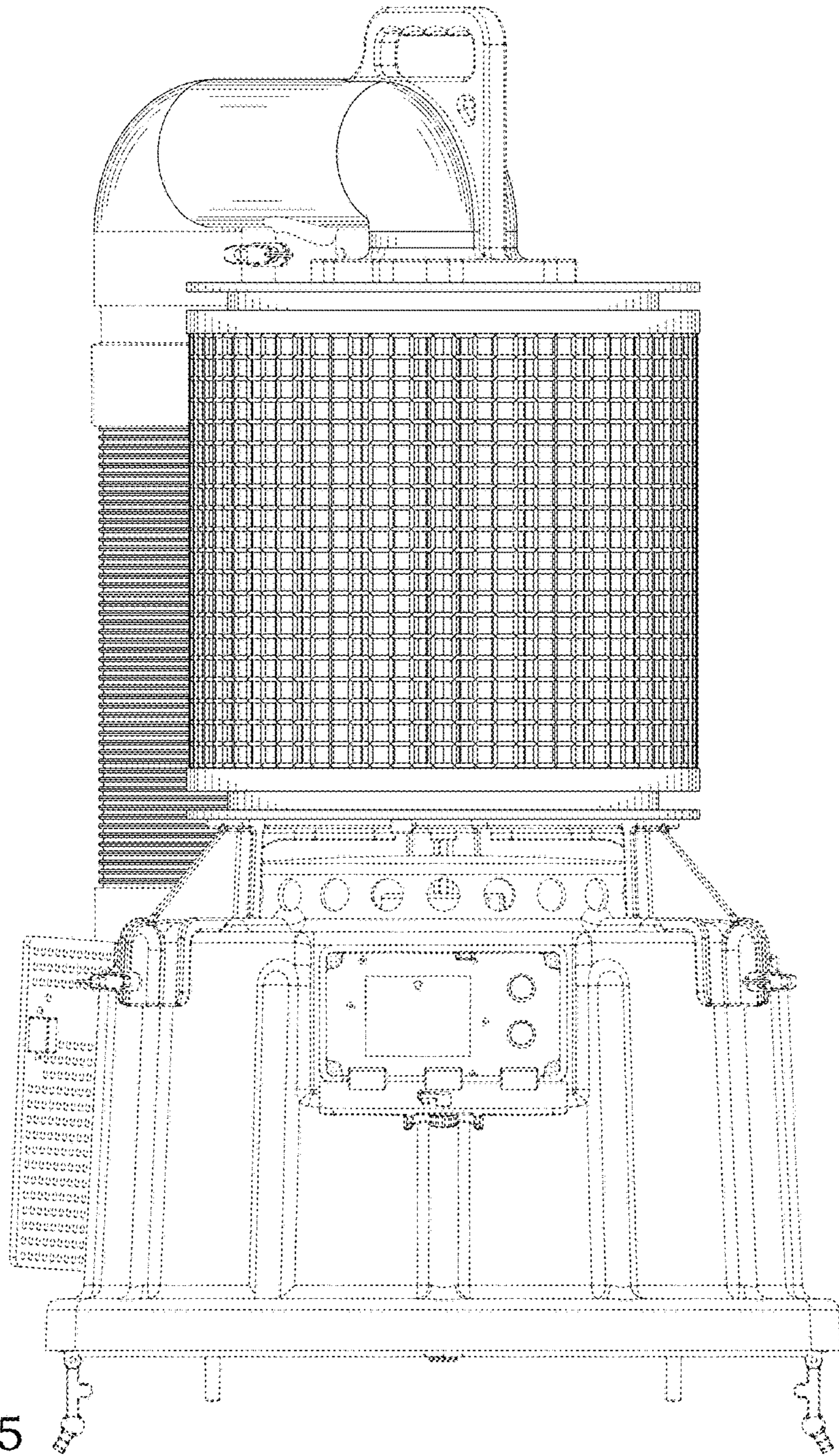


FIG. 5

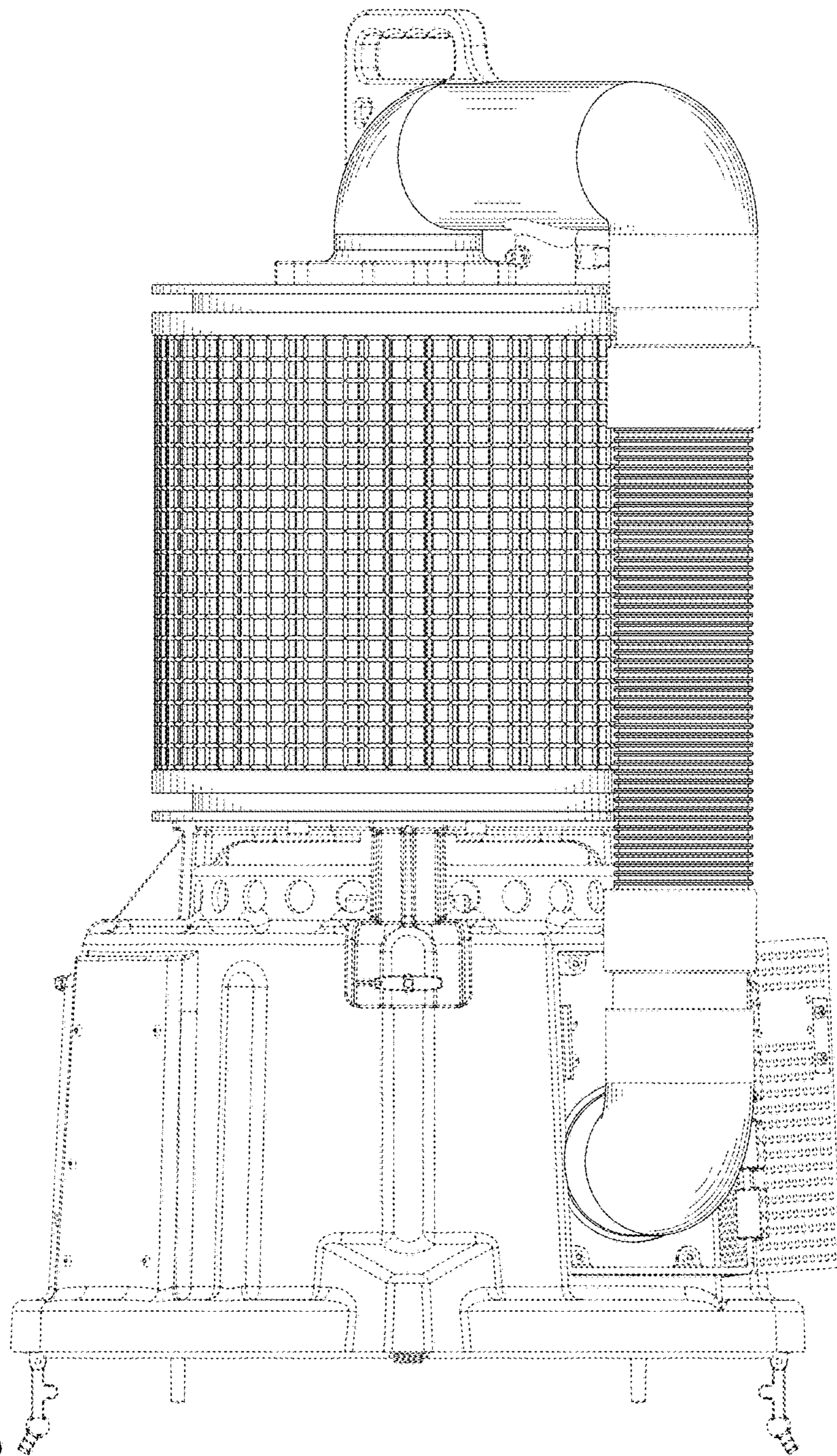


FIG. 6

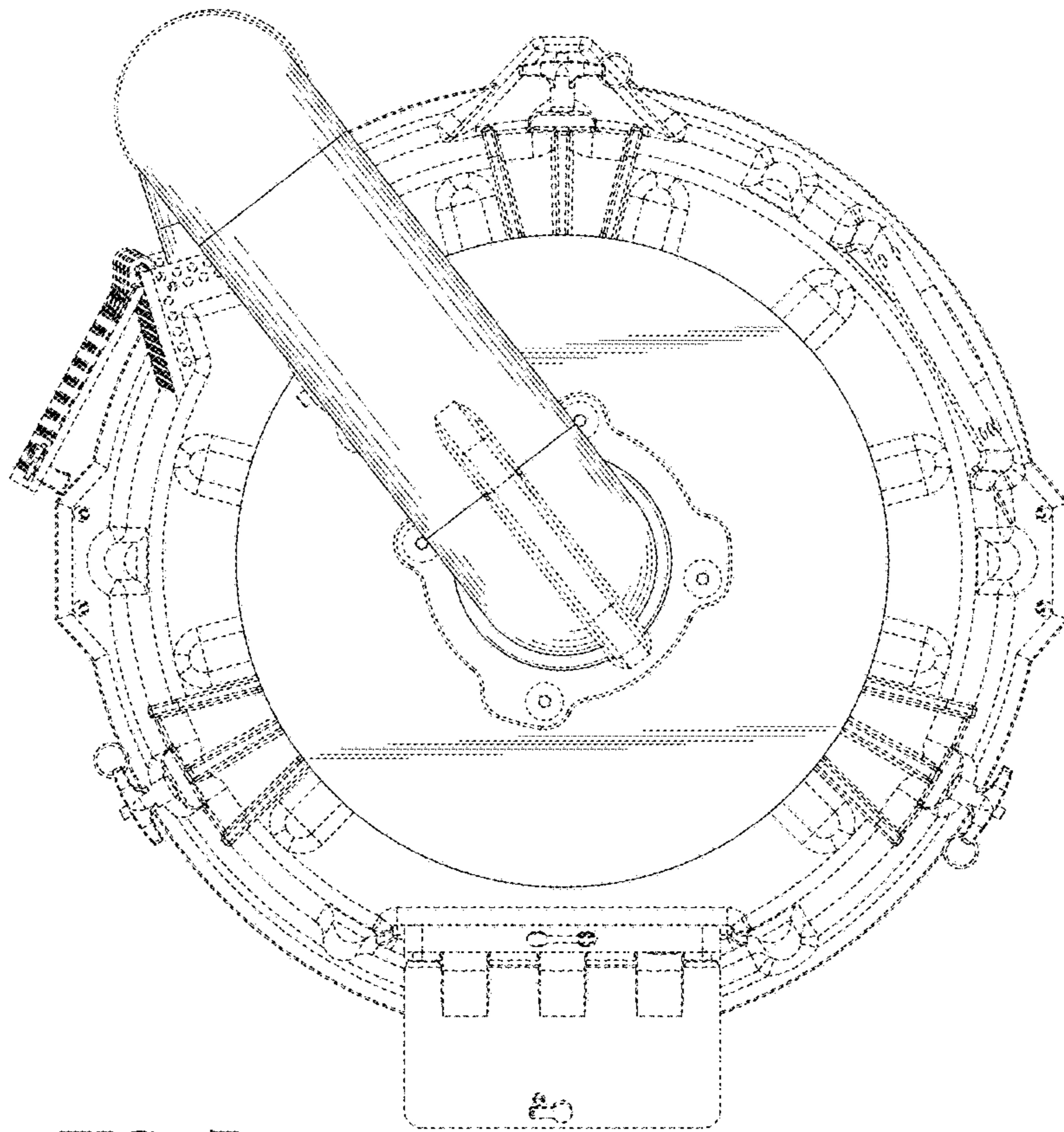


FIG. 7

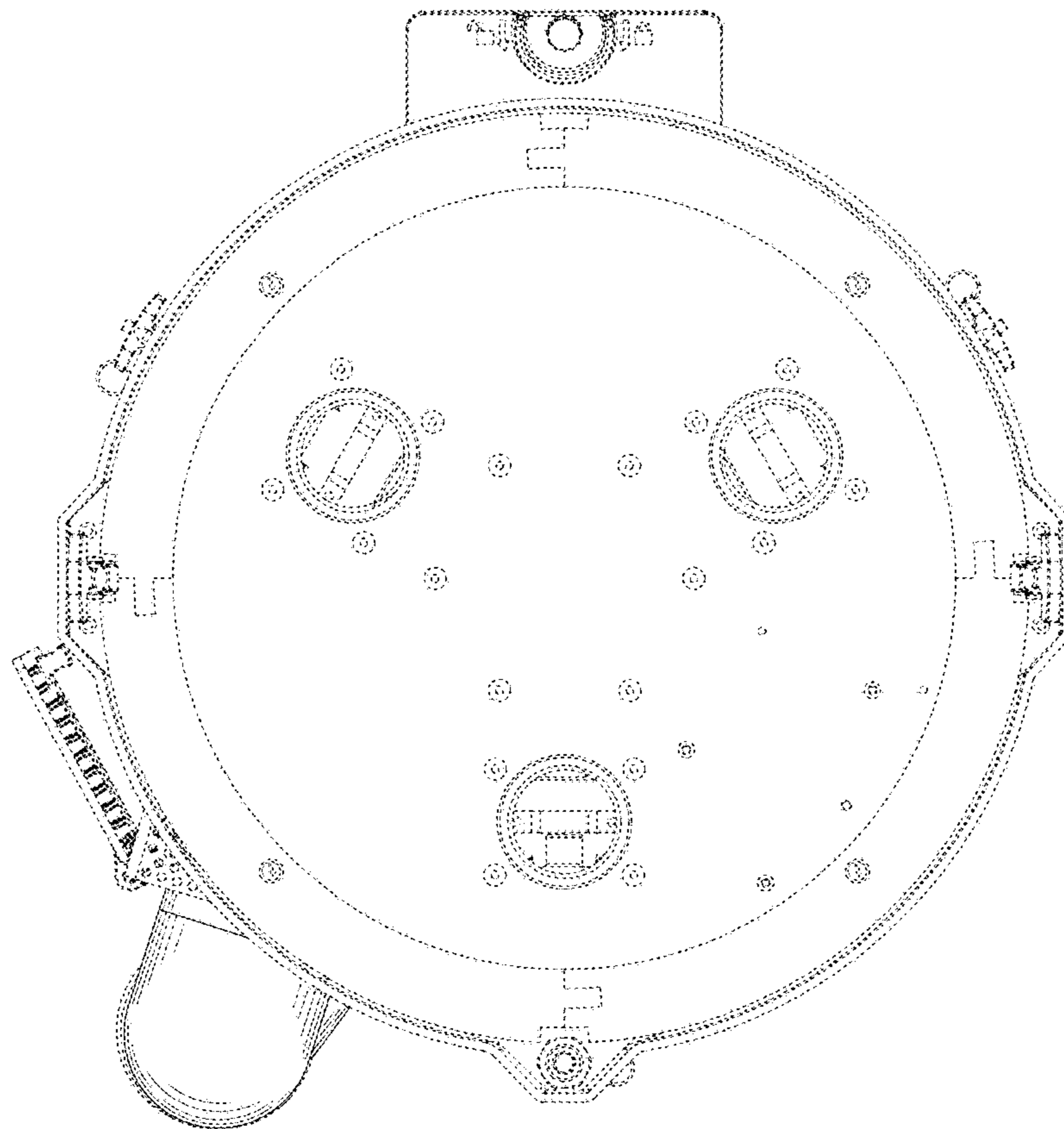


FIG. 8