



US00D845455S

(12) **United States Design Patent**  
**Horsfield**

(10) **Patent No.:** **US D845,455 S**

(45) **Date of Patent:** **\*\* Apr. 9, 2019**

(54) **FIRE PIT**

(71) Applicant: **Global Outdoors, Inc.**, Narragansett,  
RI (US)

(72) Inventor: **Michael Robert Horsfield**, Wakefield,  
RI (US)

(73) Assignee: **GLOBAL OUTDOORS, INC.**,  
Narragansett, RI (US)

(\*\*) Term: **15 Years**

(21) Appl. No.: **29/630,410**

(22) Filed: **Dec. 20, 2017**

(51) **LOC (11) Cl.** ..... **23-03**

(52) **U.S. Cl.**  
USPC ..... **D23/332**

(58) **Field of Classification Search**  
USPC ..... D23/332, 314, 343, 348, 350, 346, 342;  
D7/332-337, 402-405, 352  
CPC ..... F24C 1/16; F24C 5/00; F24C 3/14; A47J  
33/00; A47J 37/0763; A47J 37/07; F24B  
1/18; F24B 1/182; F24B 1/1808; F24B  
1/181; F24B 1/195; F24B 1/191  
See application file for complete search history.

(56) **References Cited**

**U.S. PATENT DOCUMENTS**

D397,428 S \* 8/1998 Reitsma ..... D23/332  
D457,229 S \* 5/2002 Chen ..... D23/343

D633,995 S 3/2011 Chiang  
D724,714 S \* 3/2015 Benson ..... D23/332  
D765,231 S 8/2016 Horsfield  
D780,896 S 3/2017 Weng  
D780,897 S 3/2017 Weng  
D790,677 S 6/2017 Horsfield  
2006/0236996 A1 \* 10/2006 Mosher, II ..... F24B 3/00  
126/30  
2015/0075514 A1 \* 3/2015 Kuenzinger ..... A47J 37/0763  
126/25 A  
2016/0123598 A1 5/2016 Baccarella

\* cited by examiner

*Primary Examiner* — T Chase Nelson

*Assistant Examiner* — Ania Aman

(74) *Attorney, Agent, or Firm* — Entralta P.C.; Justin G.  
Sanders; Peter D. Weinstein

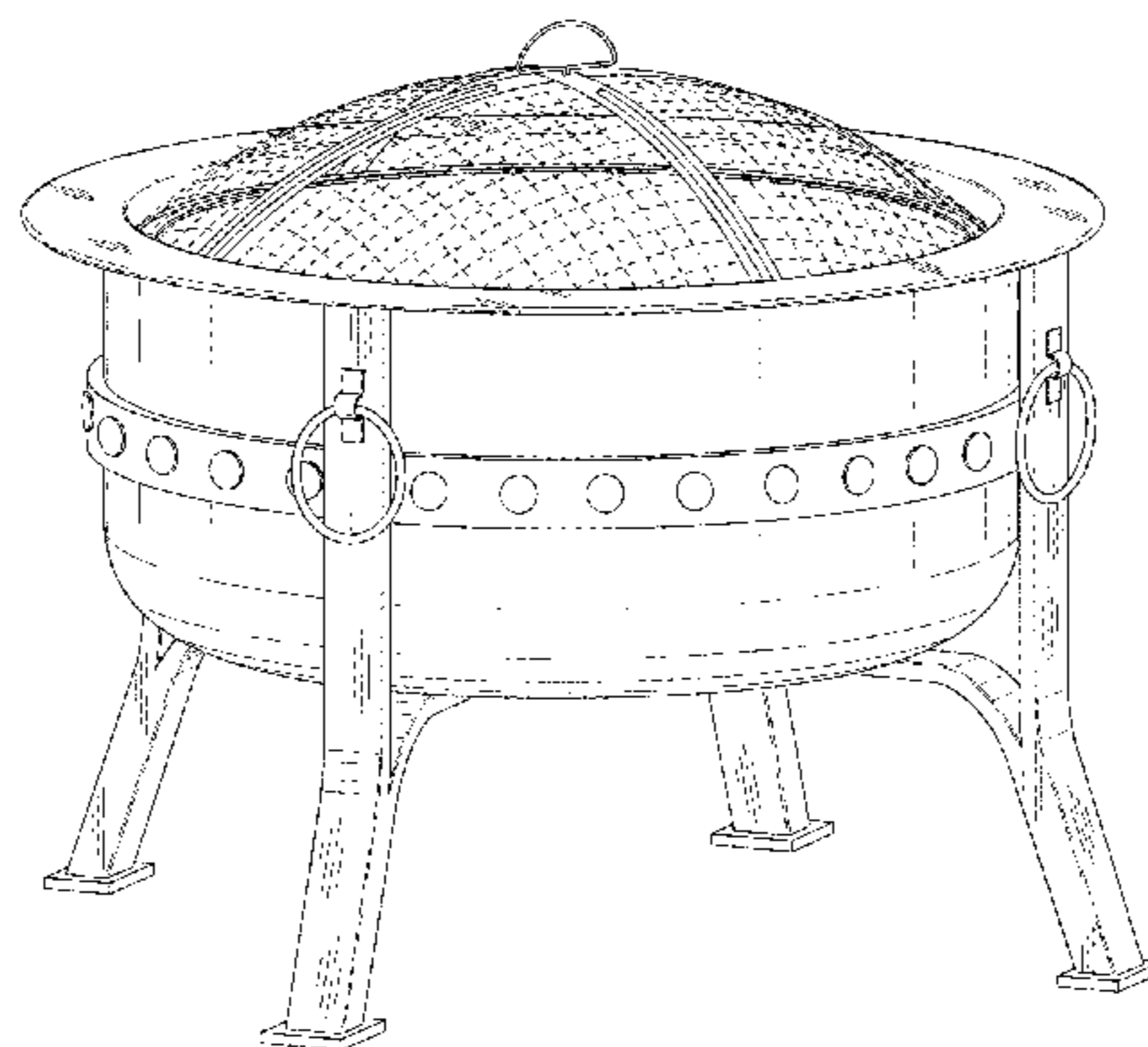
(57) **CLAIM**

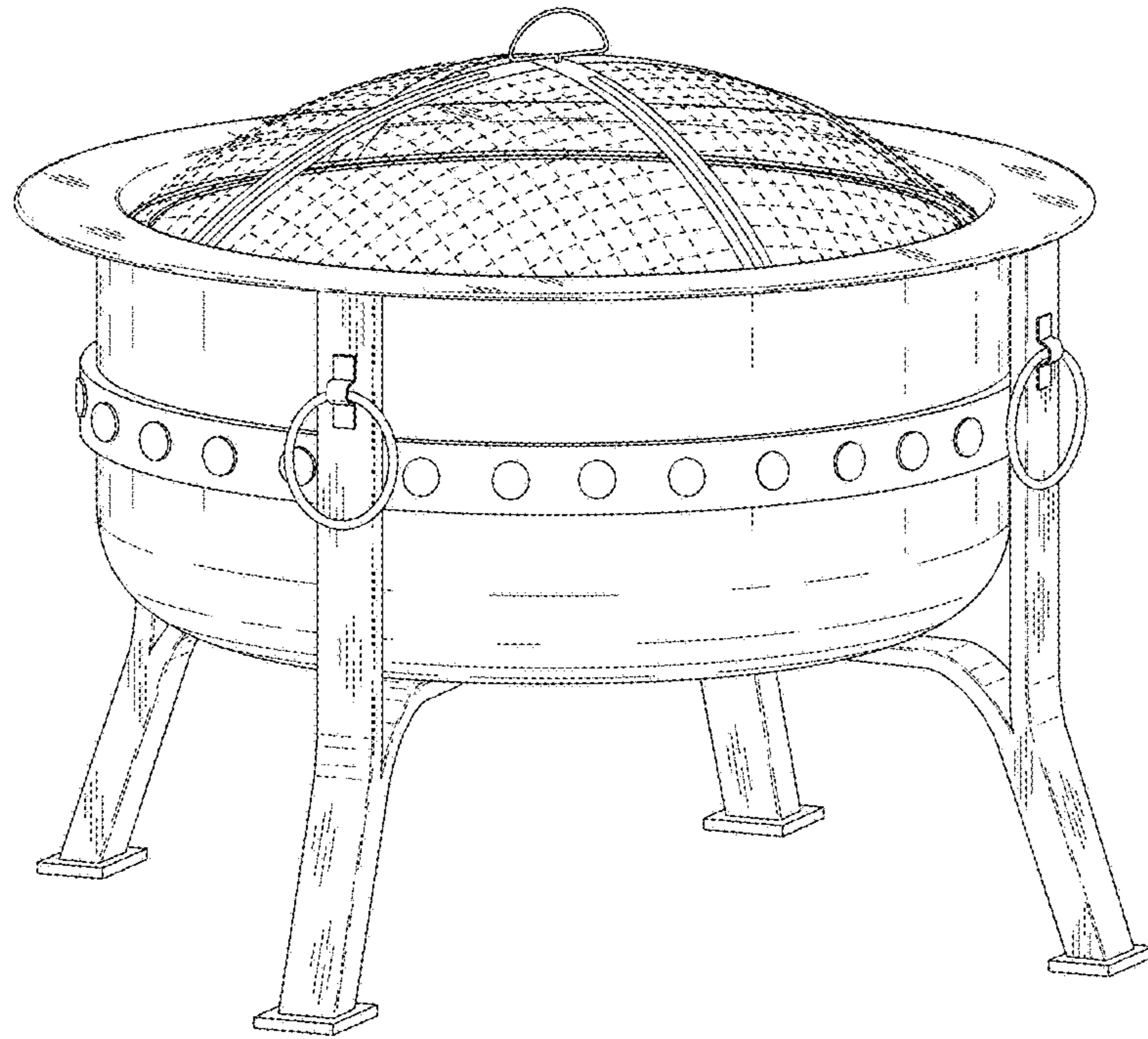
The ornamental design for a fire pit, as shown and described.

**DESCRIPTION**

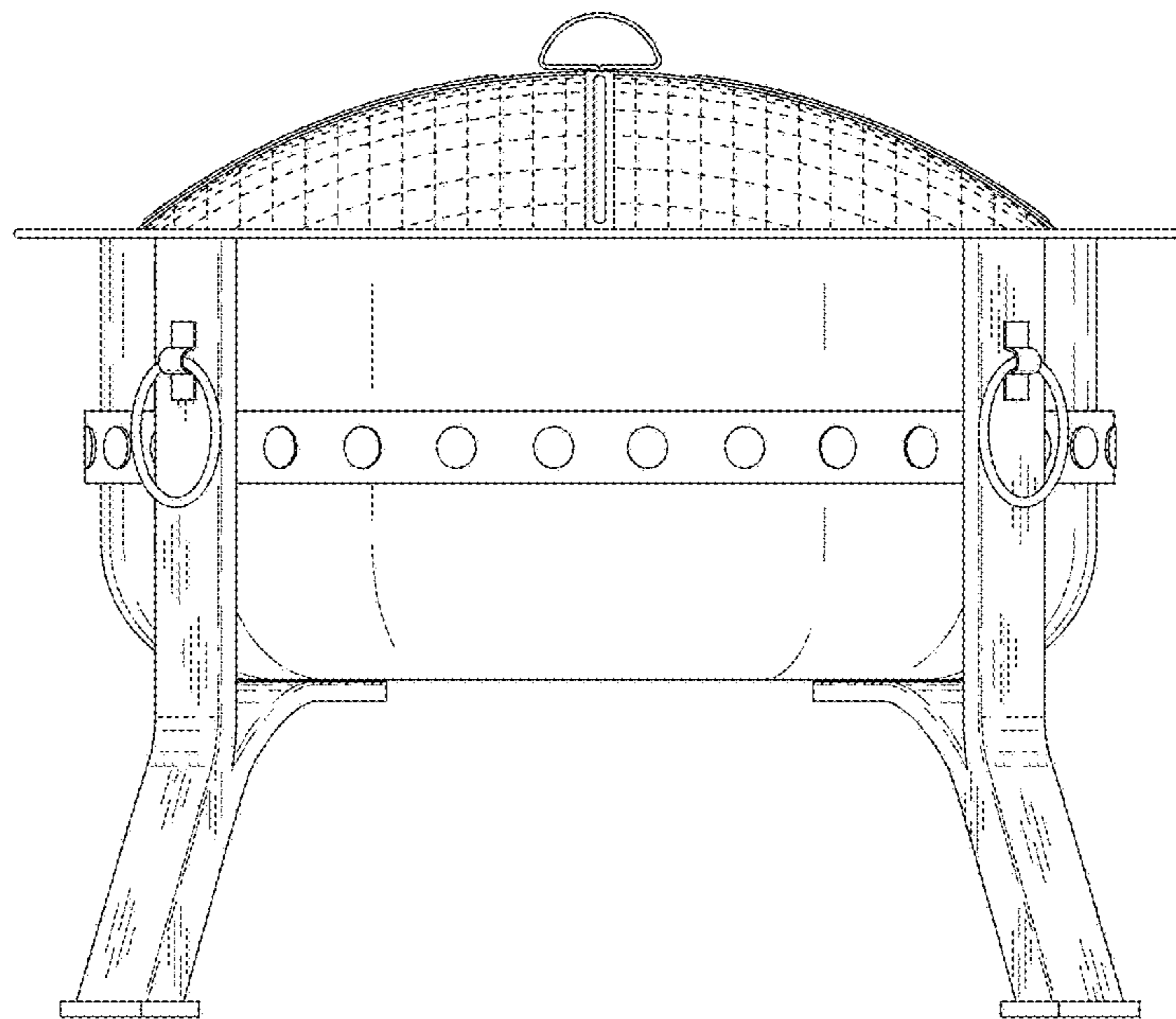
FIG. 1 is a perspective view of my new fire pit design;  
FIG. 2 is a front view thereof, the rear view being identical  
thereto;  
FIG. 3 is a side view thereof;  
FIG. 4 is a top view thereof;  
FIG. 5 is a bottom view thereof; and,  
FIG. 6 is a partially exploded view thereof.  
The broken lines shown are included only for the purpose of  
illustrating unclaimed portions of the article and form no  
part of the claimed design.

**1 Claim, 6 Drawing Sheets**

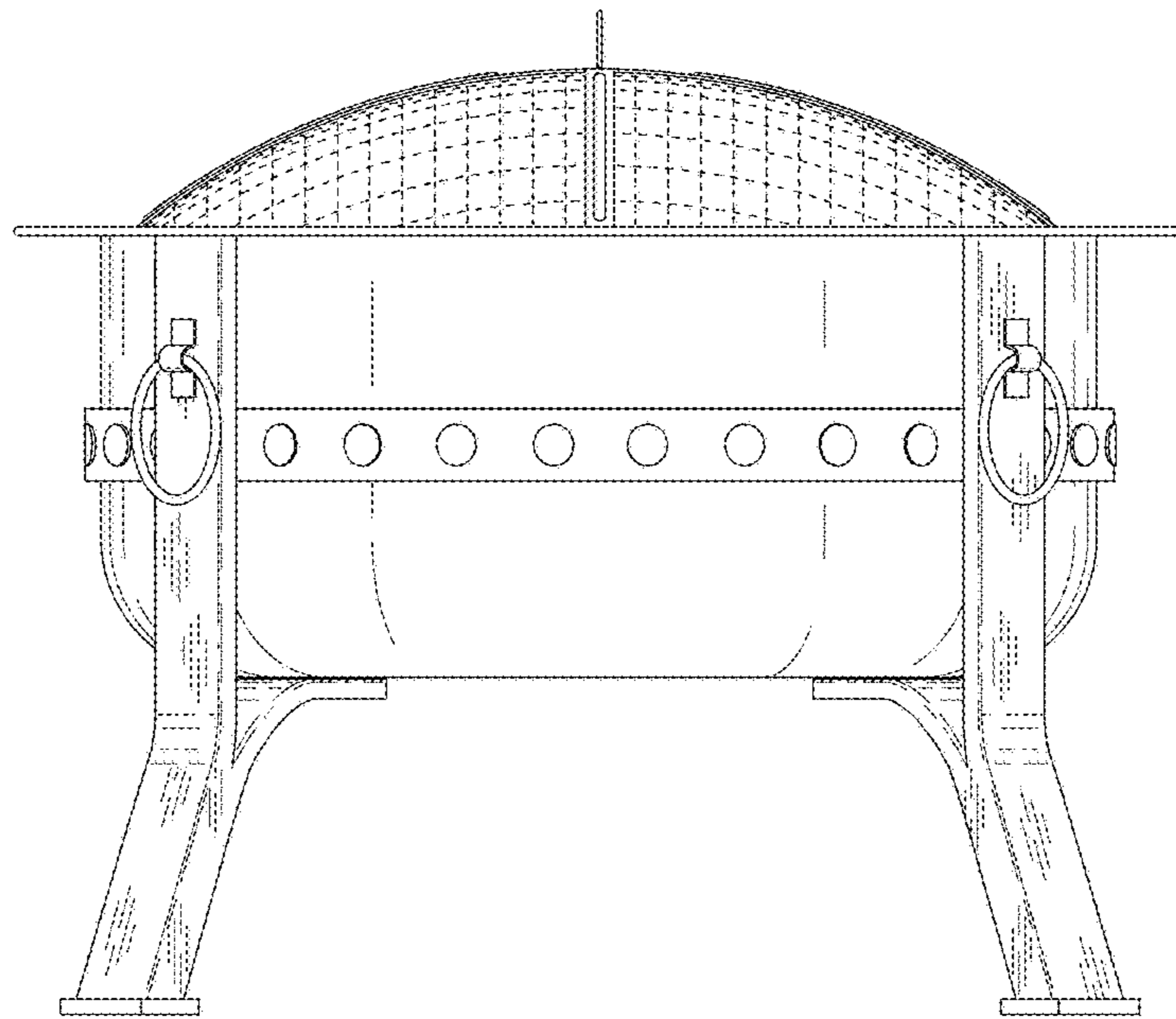




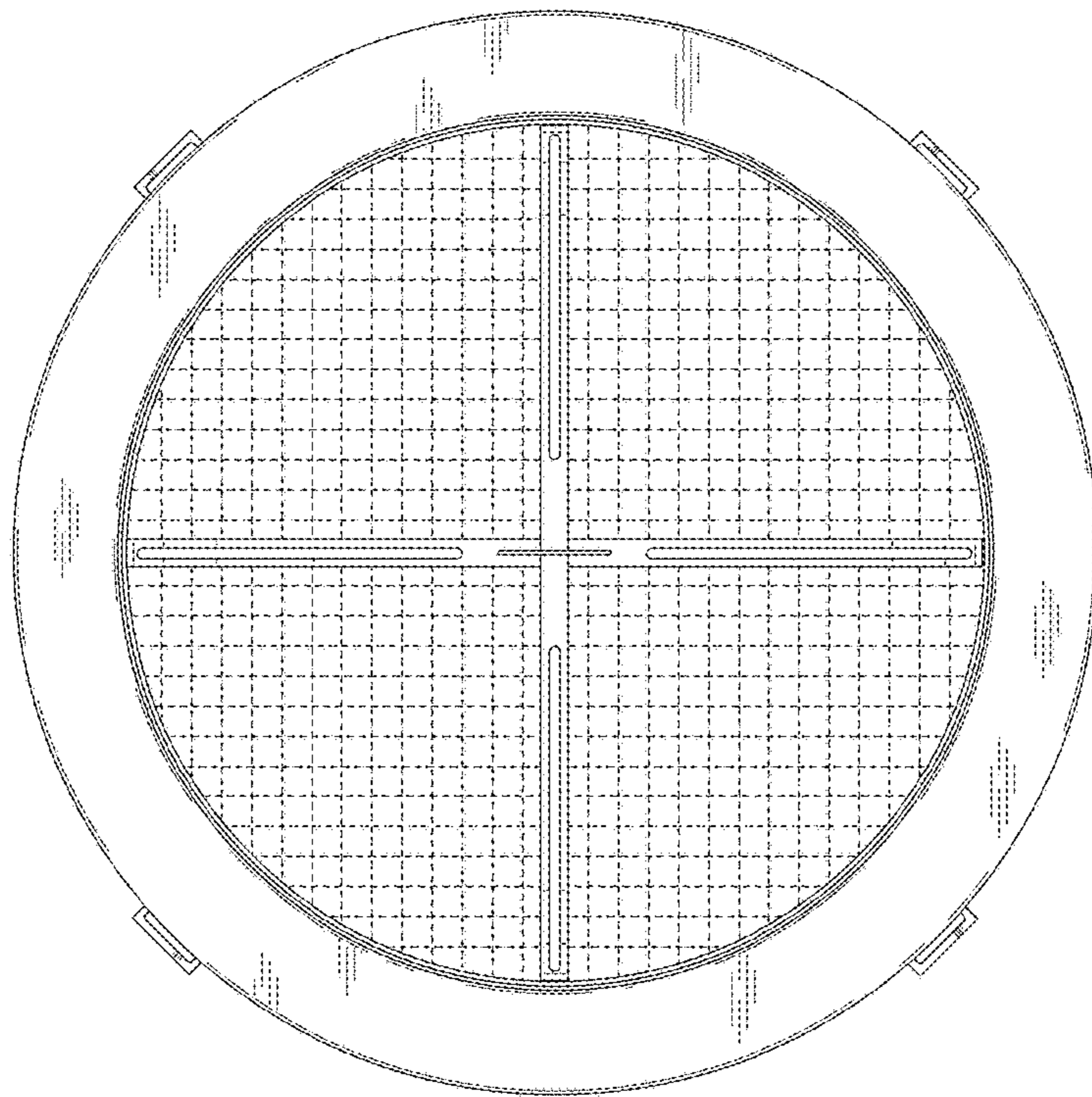
*Fig. 1*



*Fig. 2*

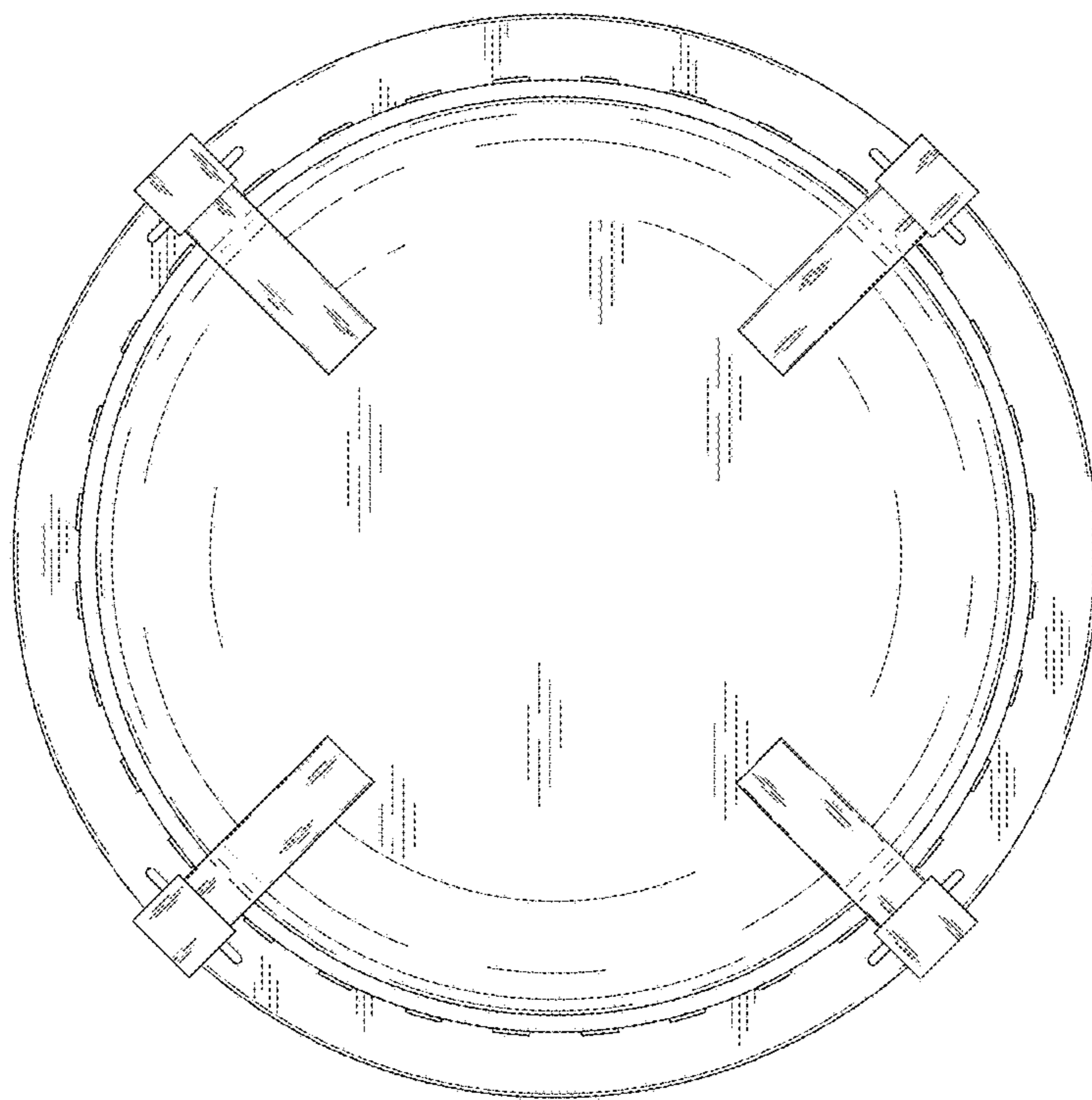


*Fig. 3*



*Fig. 4*





*Fig. 5*

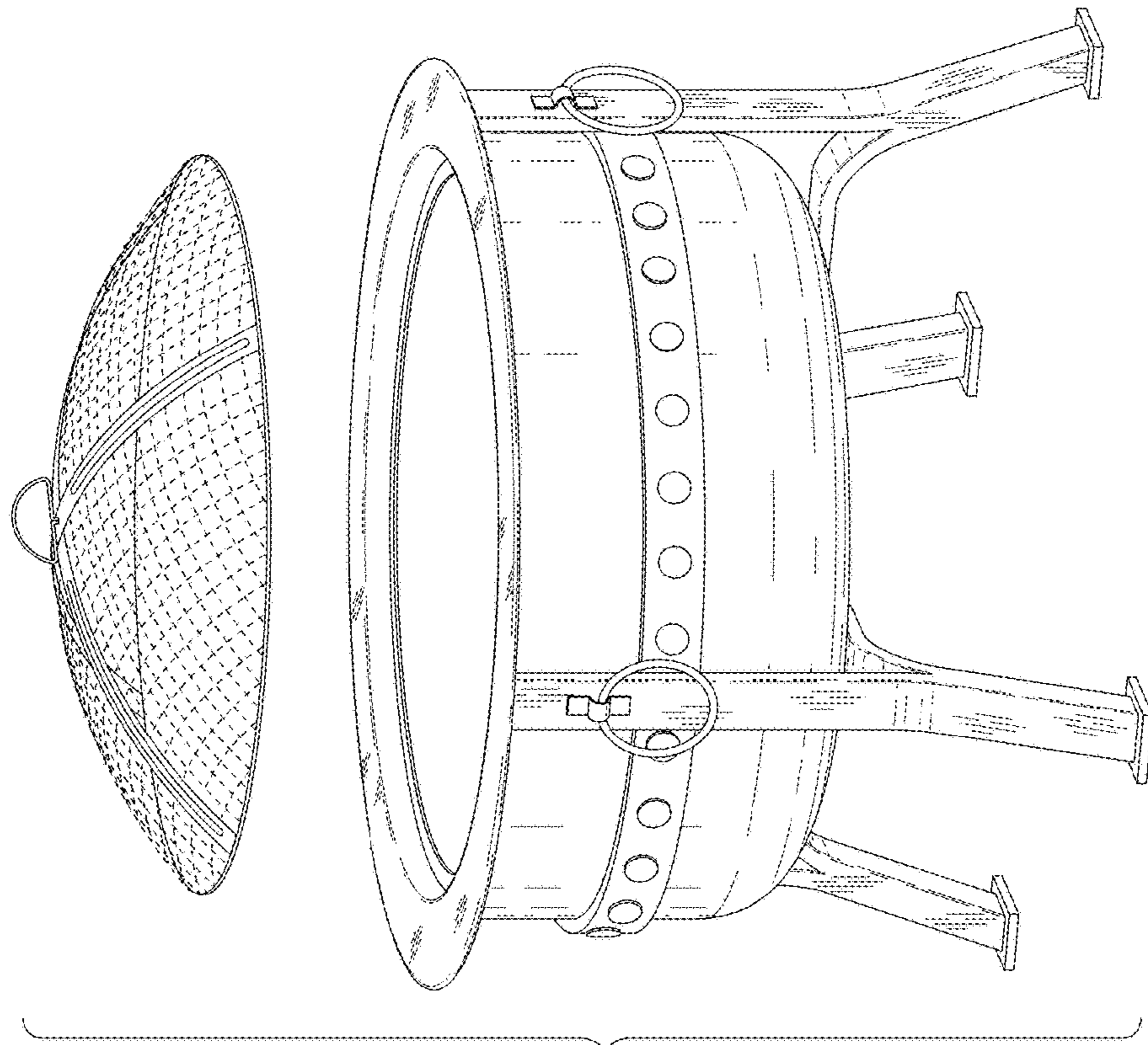


Fig. 6