



US00D845453S

(12) **United States Design Patent** (10) **Patent No.:** **US D845,453 S**
Shono et al. (45) **Date of Patent:** **** Apr. 9, 2019**

(54) **WATER HEATER**

OTHER PUBLICATIONS

(71) Applicant: **NORITZ CORPORATION**, Hyogo (JP)

Noritz website, NRCB-180, Publication date unknown, [site visited Aug. 6, 2018], Available on the Internet URL <http://www.noritz.com/products/nrcb180/>.*

(72) Inventors: **Ryoichi Shono**, Akashi (JP); **Toshihiro Ishino**, Kobe (JP)

(Continued)

(73) Assignee: **NORITZ CORPORATION**, Hyogo (JP)

Primary Examiner — Karen S Acker

Assistant Examiner — Steven B Reinholdt, Jr.

(74) *Attorney, Agent, or Firm* — Stuebaker & Brackett PC

(**) Term: **15 Years**

(57) **CLAIM**

(21) Appl. No.: **29/636,220**

The ornamental design for a water heater, as shown and described.

(22) Filed: **Feb. 7, 2018**

DESCRIPTION

Related U.S. Application Data

(62) Division of application No. 29/582,823, filed on Oct. 31, 2016.

FIG. 1 is a perspective view of a water heater showing the present design;

(51) **LOC (11) Cl.** **23-03**

FIG. 2 is a front view thereof;

(52) **U.S. Cl.**

FIG. 3 is a rear view thereof;

USPC **D23/318**

FIG. 4 is a top view thereof;

(58) **Field of Classification Search**

USPC D23/3, 42, 314, 318, 329, 334, 335, 355, D23/356, 358, 359, 364, 386, 387, 317,

FIG. 5 is a bottom view thereof;

(Continued)

FIG. 6 is a right side view thereof;

(56) **References Cited**

U.S. PATENT DOCUMENTS

D81,225 S 5/1930 Boattenhamer
D251,386 S 3/1979 Leonard

FIG. 7 is a left side view thereof;

(Continued)

FIG. 8 is a cross sectional view in which the internal mechanism is not shown for the sake of clarity, taken along line 8-8 of FIG. 2 thereof;

FOREIGN PATENT DOCUMENTS

CA 171298 * 8/2017
CA 174783 S 8/2017
CA 174784 S 8/2017

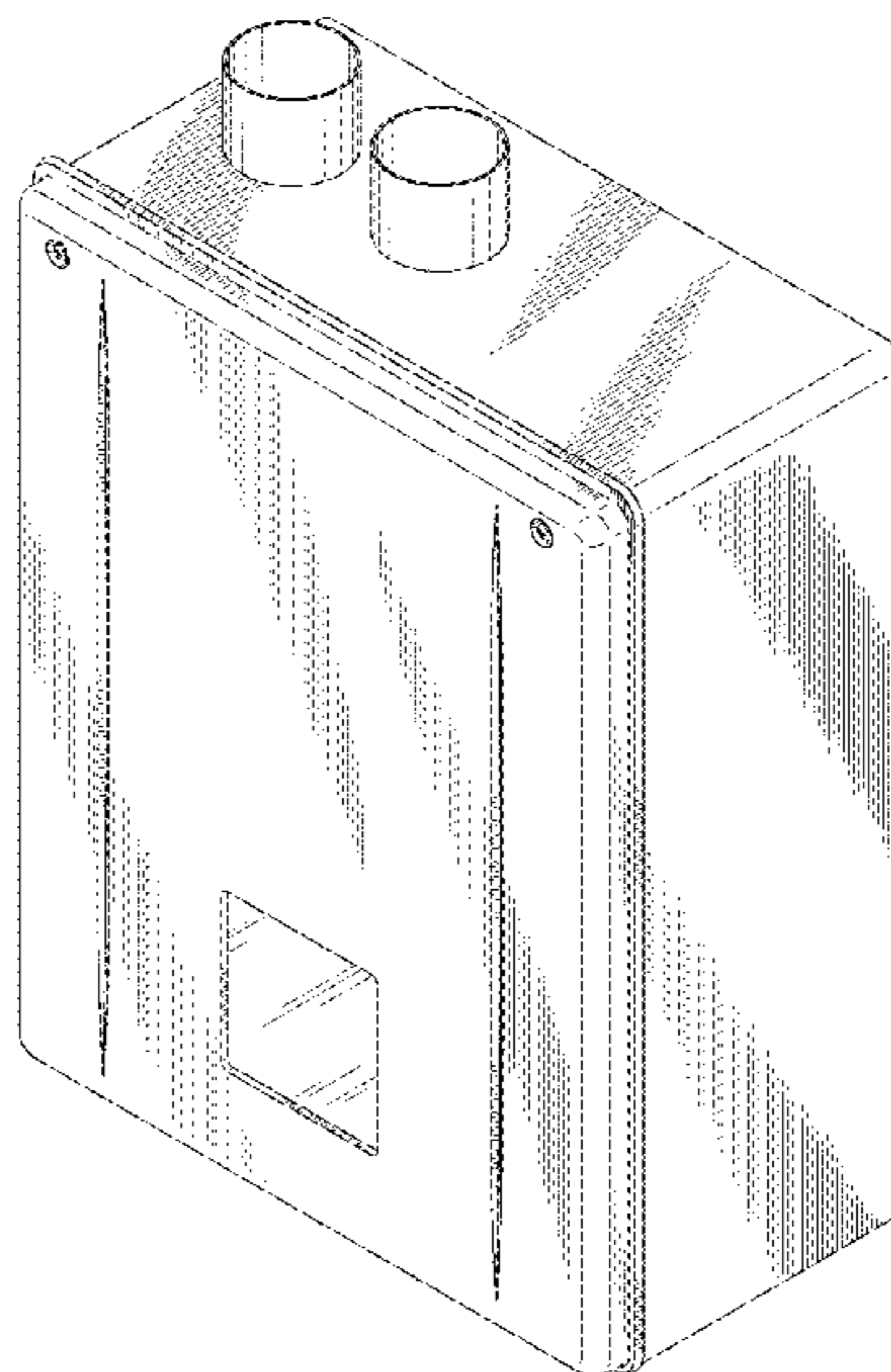
FIG. 9 is a cross sectional view in which the internal mechanism is not shown for the sake of clarity, taken along line 9-9 of FIG. 2 thereof; and,

FIG. 10 is a cross sectional view in which the internal mechanism is not shown for the sake of clarity, taken along line 10-10 of FIG. 2 thereof.

The oblique shade lines in FIGS. 1 and 2 depict a reflective surface.

The broken lines and the areas within them in the drawings depict portions of the water heater that form no part of the claimed design.

1 Claim, 9 Drawing Sheets



(58) **Field of Classification Search**

USPC D23/320, 321, 322, 323, 324, 328, 330,
 D23/332, 337, 341, 342, 343, 347;
 D13/184; D14/214, 221, 235, 240, 356,
 D14/362
 CPC F24C 7/10; F24H 9/2071; F24H 9/2064;
 F24H 1/06; F24H 9/2028; F24H 9/02;
 F24H 9/128; F24H 9/2021; F24H 9/2007;
 F24H 9/0005; F24H 4/00; F24H 2/142;
 H05B 3/78

See application file for complete search history.

(56) **References Cited**

U.S. PATENT DOCUMENTS

D258,988 S 4/1981 Leonard
 D327,814 S 7/1992 Graham et al.
 5,947,272 A 9/1999 Park
 D425,493 S 5/2000 Cutright et al.
 D428,809 S 8/2000 Adair
 D433,858 S 11/2000 Gastelum et al.
 D483,451 S 12/2003 Yamamoto et al.
 D483,452 S 12/2003 Yamamoto et al.
 D483,453 S 12/2003 Yamamoto et al.
 D483,844 S 12/2003 Yamamoto et al.
 D507,733 S 7/2005 Liu
 D532,498 S 11/2006 Maegawa et al.
 D533,928 S 12/2006 Maegawa et al.
 D545,127 S 6/2007 Fife
 D570,974 S 6/2008 Nanbu et al.
 D570,976 S 6/2008 Nanbu et al.
 D574,187 S 8/2008 Jarratt
 D576,507 S 9/2008 Farnworth et al.
 D604,254 S 11/2009 Lanfear et al.
 D609,701 S 2/2010 Hou
 D611,692 S 3/2010 Bizzo
 D616,536 S 5/2010 Lee
 D642,572 S 8/2011 Kujawski
 D679,258 S 4/2013 Moore et al.

D679,530 S 4/2013 Gilboe et al.
 D683,001 S 5/2013 Lee
 D687,134 S 7/2013 Lee
 D752,392 S 3/2016 Maas et al.
 D769,429 S 10/2016 Buettner et al.
 D773,020 S 11/2016 Buettner et al.
 D779,270 S 2/2017 Hogan
 D783,793 S 4/2017 Satou et al.
 D787,294 S 5/2017 Bast
 D790,248 S 6/2017 Clark et al.
 D802,548 S 11/2017 Schmid
 D804,623 S * 12/2017 Yamaguchi D23/318
 D809,492 S * 2/2018 Moon D14/240
 D810,259 S * 2/2018 You D23/364
 D816,063 S * 4/2018 Choi D14/214
 D817,306 S * 5/2018 Jang D14/214
 2007/0126320 A1 6/2007 Huang
 2011/0180019 A1 7/2011 Hsu

OTHER PUBLICATIONS

An Office Action issued by the United States Patent and Trademark Office dated Dec. 19, 2017, which corresponds to U.S. Appl. No. 29/582,823 and is related to U.S. Appl. No. 29/582,824.

Noritz, Products NRCB199, Publication date unknown, Available on the Internet URL: <http://www.noritz.com/products/nrcb199/>.

An Office Action issued by the U.S. Patent Office dated Sep. 5, 2018, which corresponds to U.S. Appl. No. 29/582,824 and is related to U.S. Appl. No. 29/636,220.

An Office Action issued by the U.S. Patent Office dated Aug. 10, 2018, which corresponds to U.S. Appl. No. 29/636,222 and is related to U.S. Appl. No. 29/636,220.

An Office Action issued by the U.S. Patent Office dated Aug. 23, 2018, which corresponds to U.S. Appl. No. 29/636,217 and is related to U.S. Appl. No. 29/636,220.

Noritz website, NCC300OD, Publication date unknown, [site visited Jul. 26, 2018], Available on the Internet URL <http://www.noritz.com/products/ncc300-od/>.

* cited by examiner

FIG. 1

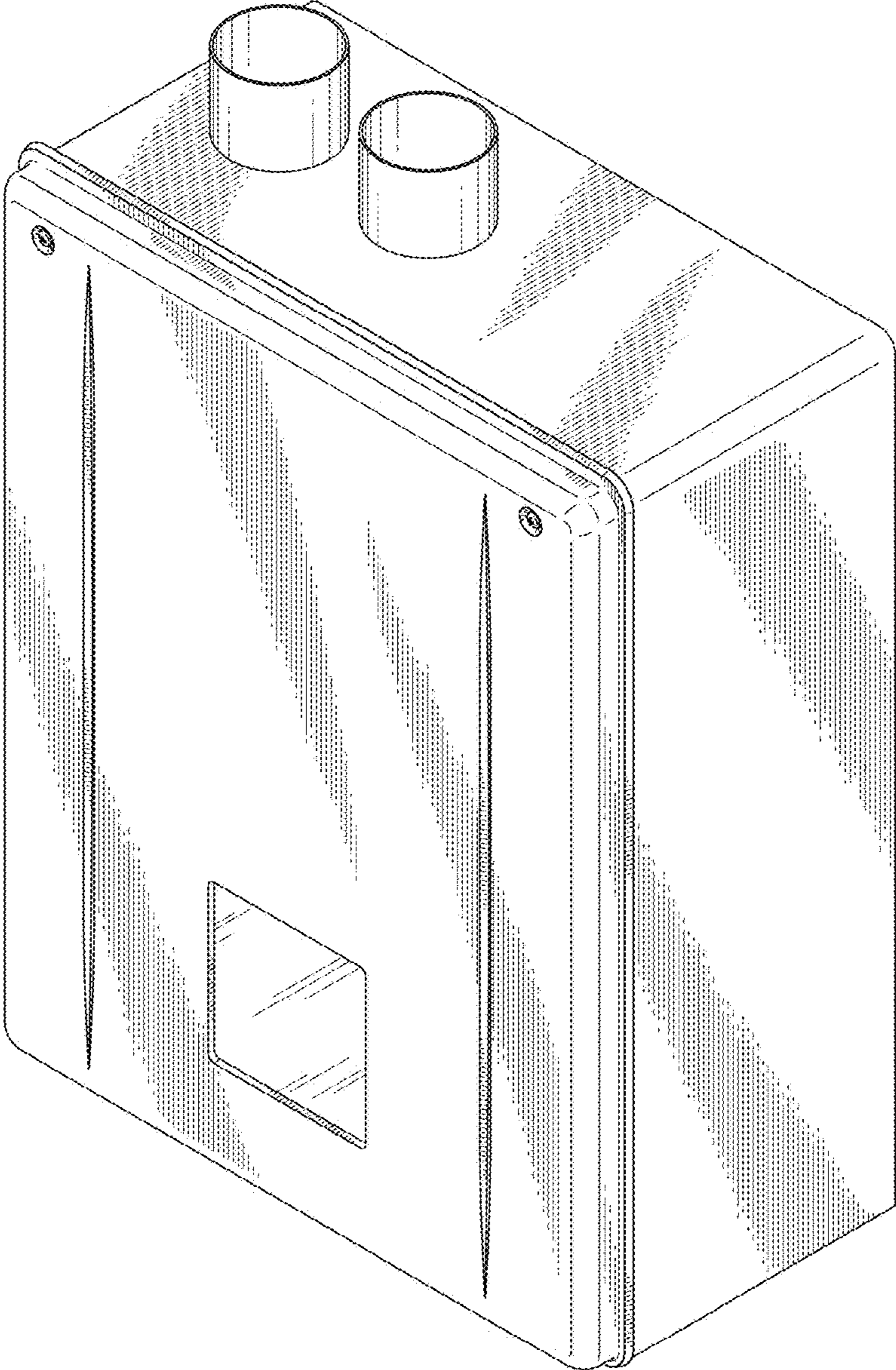


FIG.2

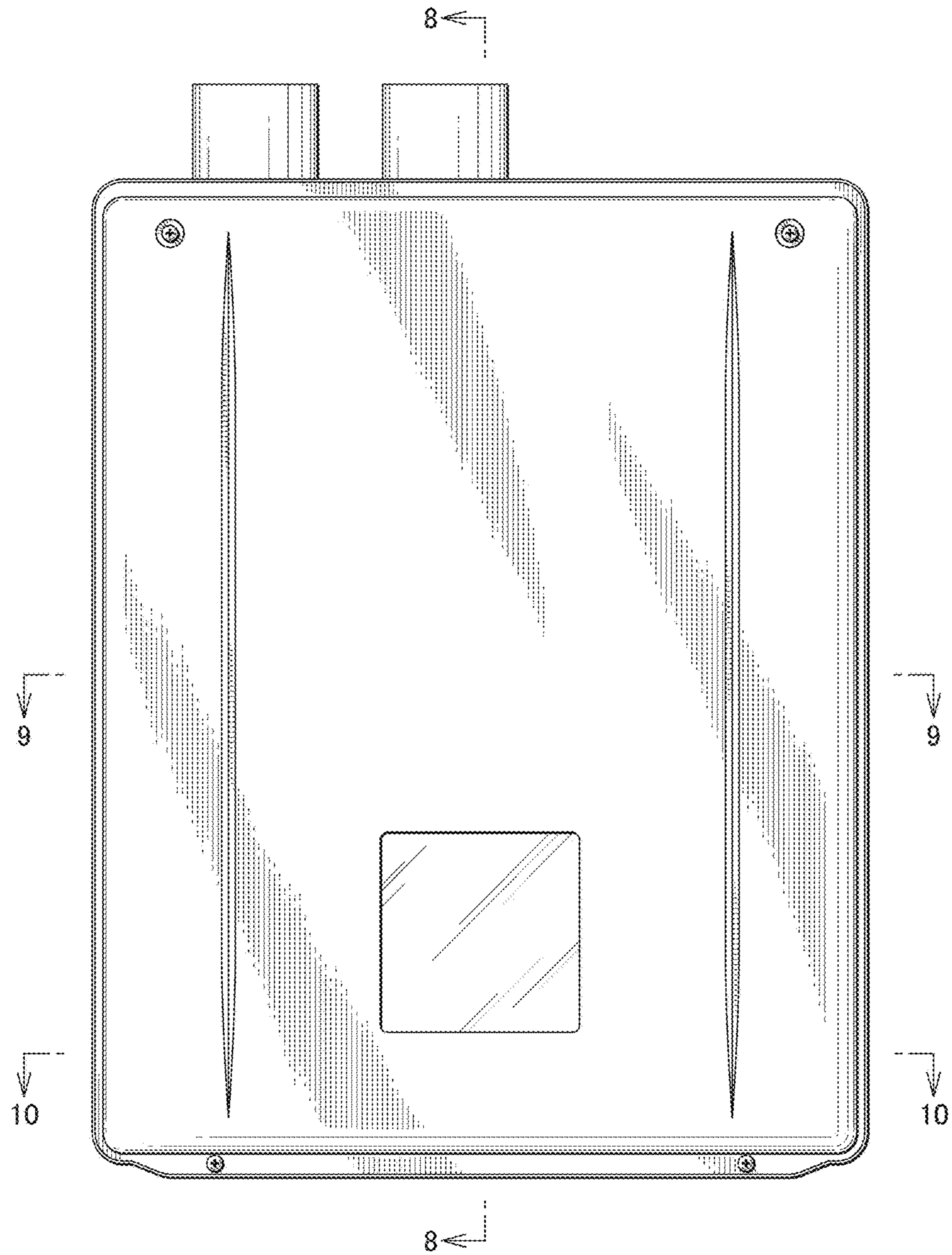


FIG.3

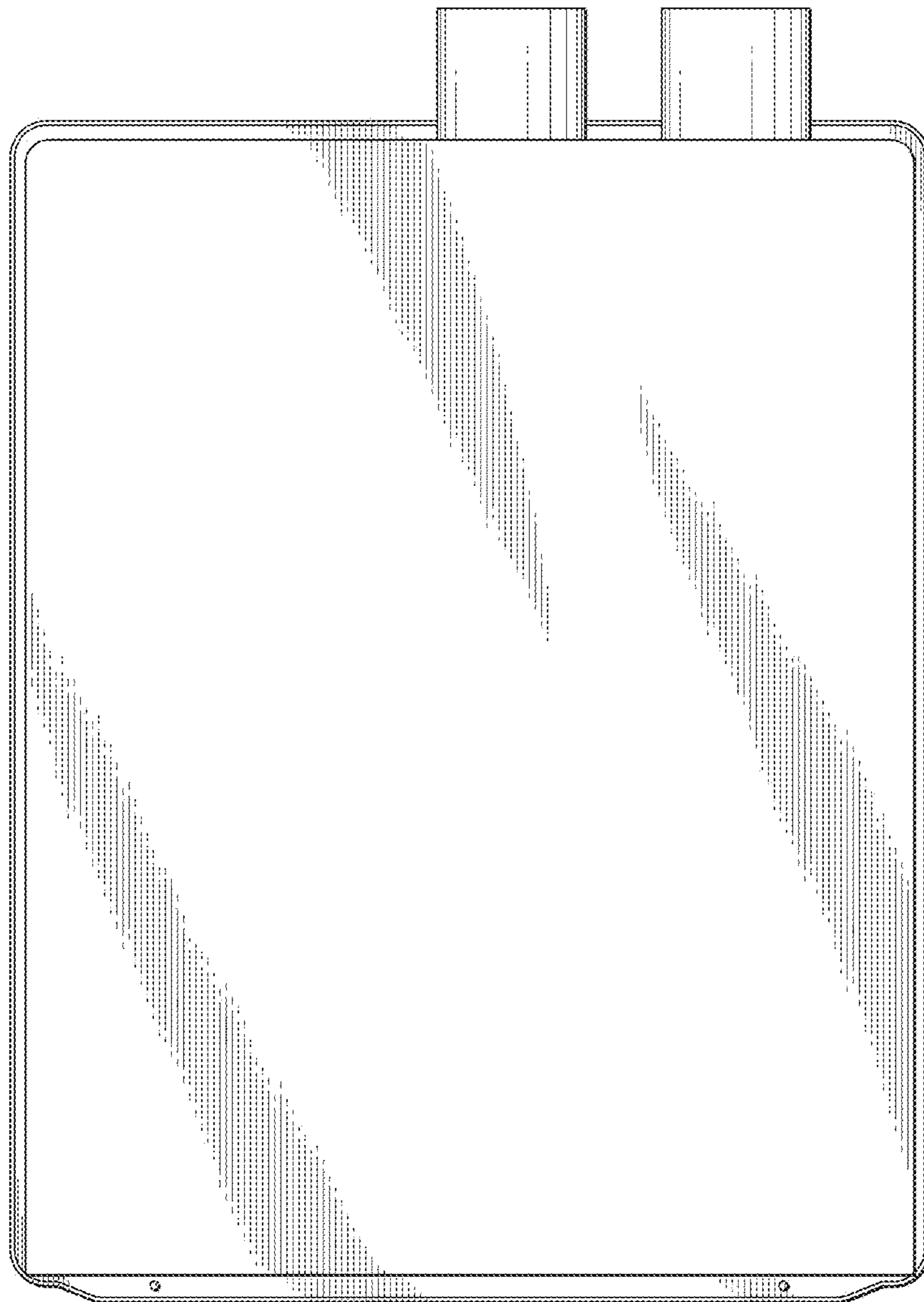


FIG.4

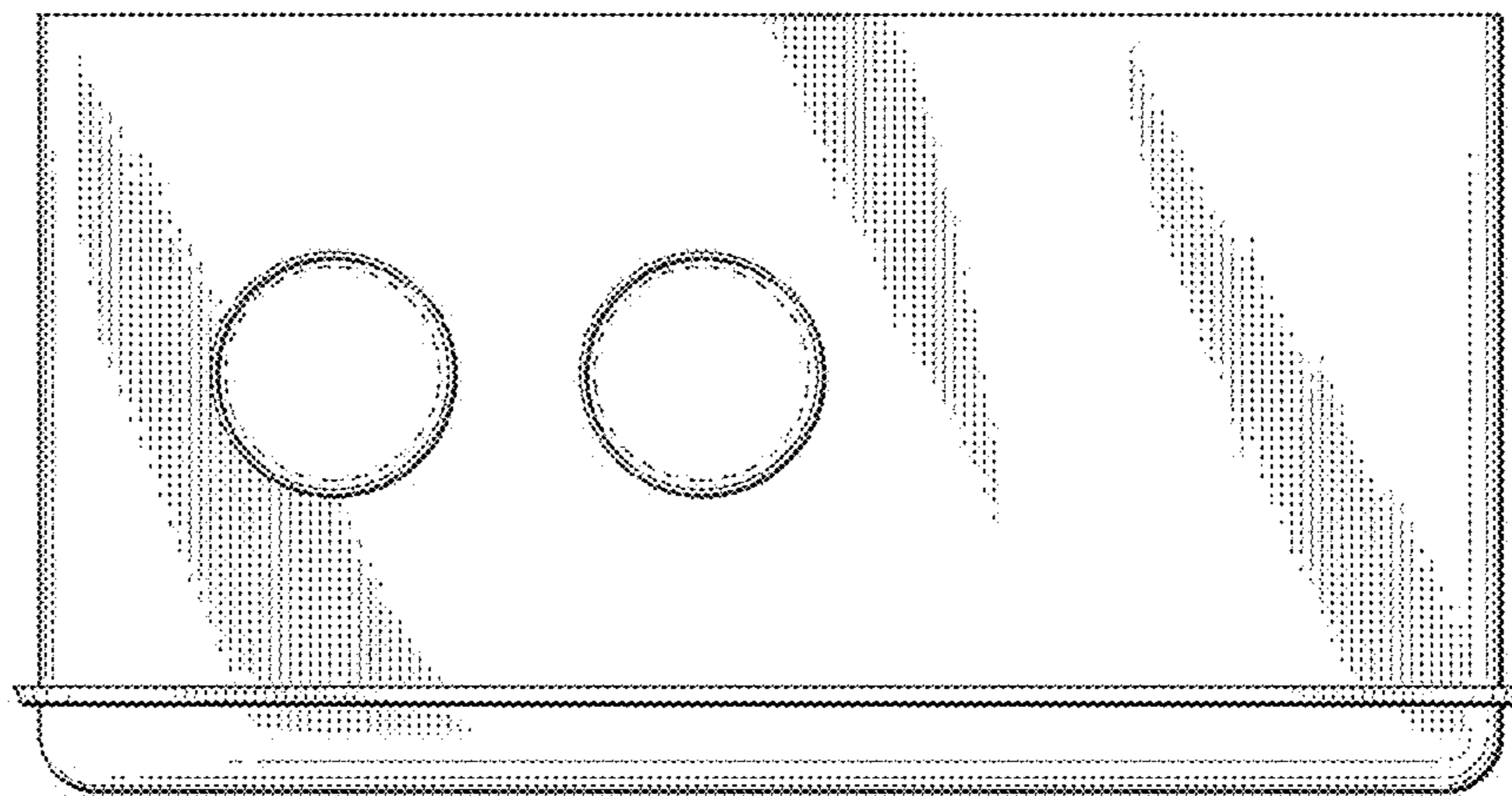


FIG.5

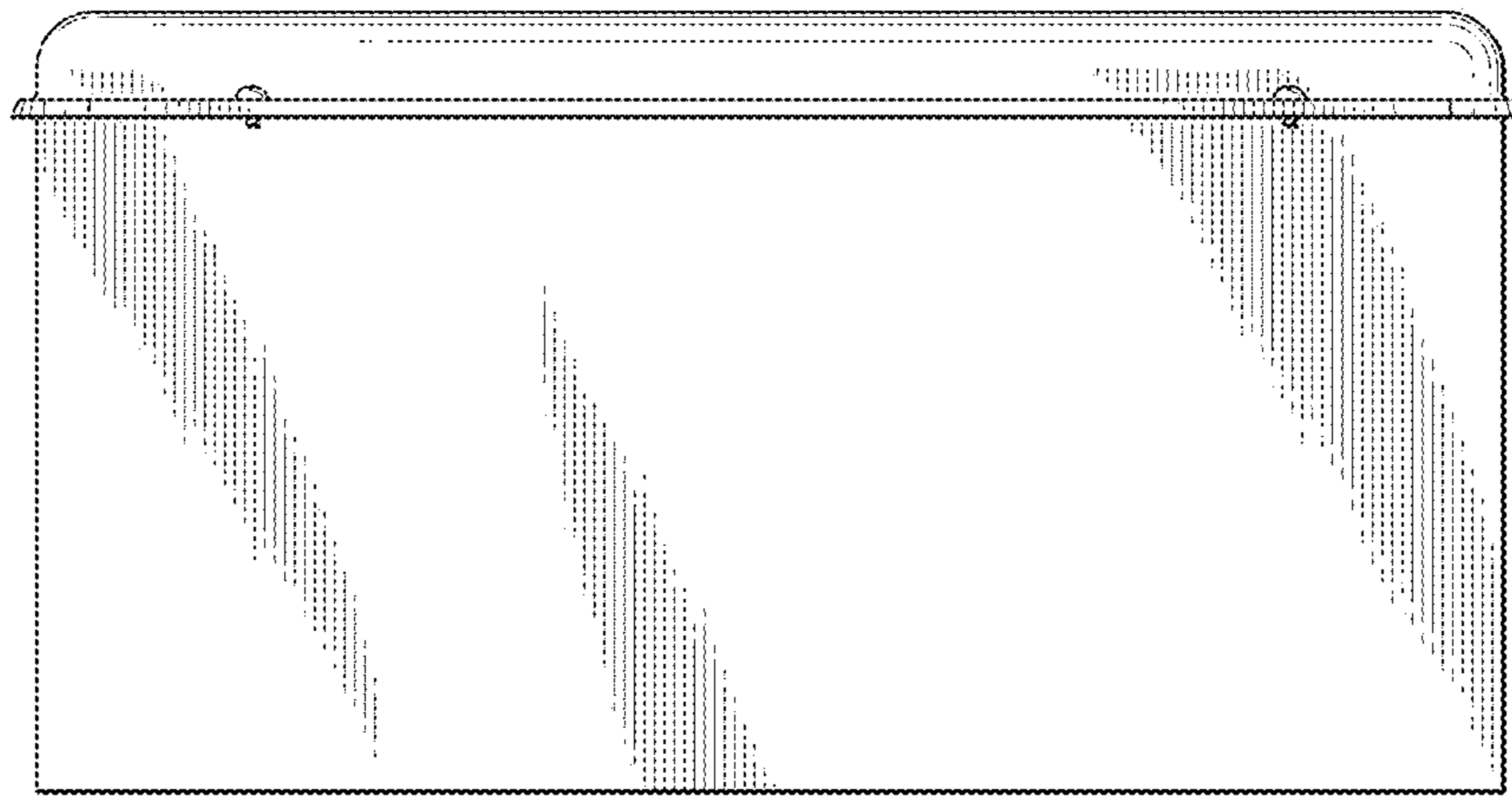


FIG.6

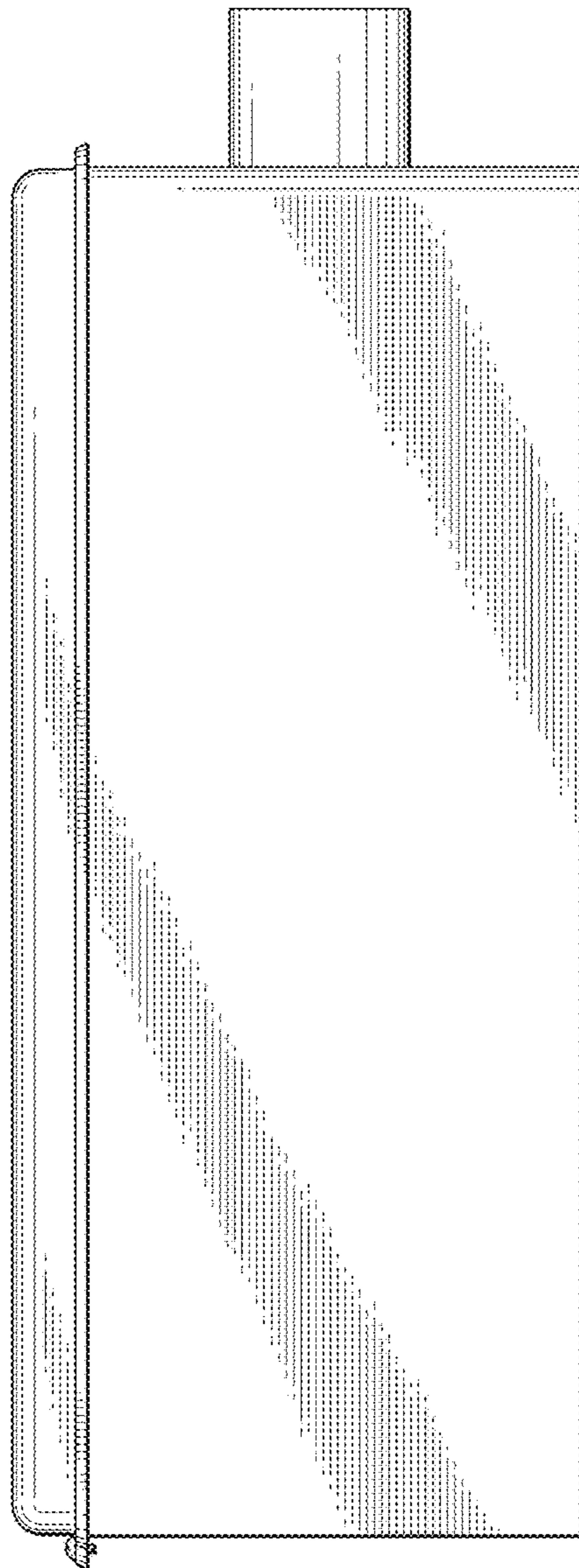


FIG. 7



FIG. 8

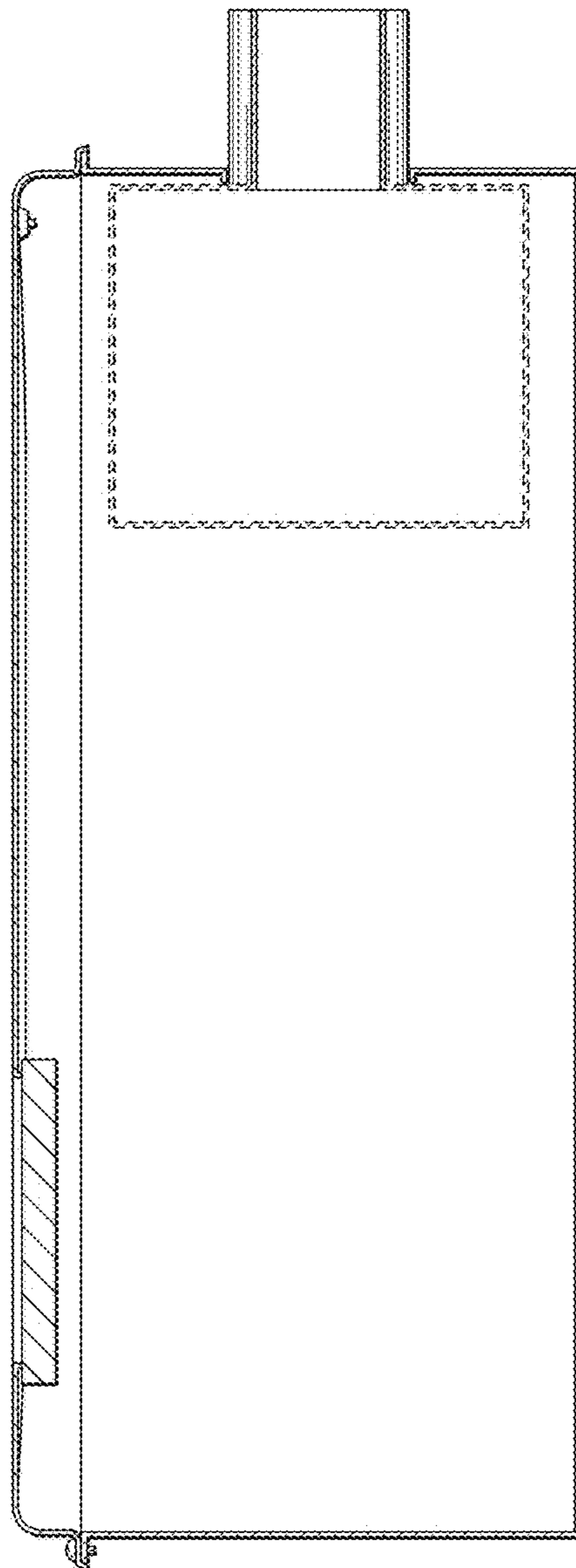


FIG.9

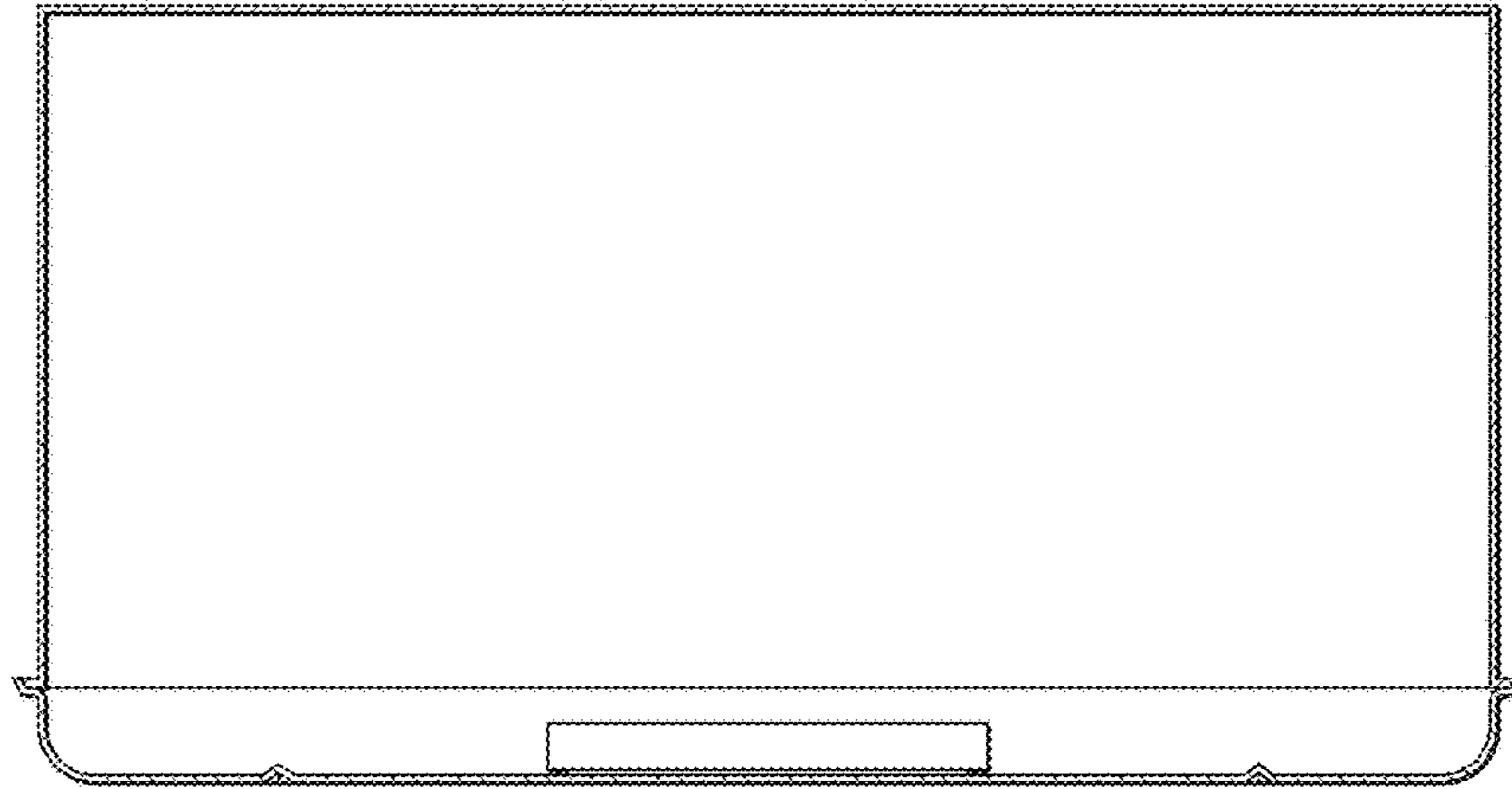


FIG.10

