



US00D845452S

(12) **United States Design Patent**  
**Richter**

(10) **Patent No.:** **US D845,452 S**

(45) **Date of Patent:** **\*\* Apr. 9, 2019**

(54) **TOILET LID**

(71) Applicant: **Duravit Aktiengesellschaft**, Hornberg  
(DE)

(72) Inventor: **Frank Richter**, Hornberg (DE)

(73) Assignee: **Duravit Aktiengesellschaft**, Hornberg  
(DE)

(\*\*) Term: **15 Years**

(21) Appl. No.: **29/613,942**

(22) Filed: **Aug. 15, 2017**

(30) **Foreign Application Priority Data**

Feb. 15, 2017 (WO) ..... 095253

(51) **LOC (11) Cl.** ..... **23-02**

(52) **U.S. Cl.**  
USPC ..... **D23/311**

(58) **Field of Classification Search**

USPC ..... D23/303, 311-312

CPC ..... A47K 13/00; A47K 13/06; A47K 13/24;  
A47K 13/305

See application file for complete search history.

(56) **References Cited**

**U.S. PATENT DOCUMENTS**

D484,581 S \* 12/2003 Delgado ..... D23/311  
D485,336 S \* 1/2004 Delgado ..... D23/311

D663,396 S \* 7/2012 Plate ..... D23/311  
D669,565 S \* 10/2012 Baugh ..... D23/311  
8,296,870 B2 \* 10/2012 Kannengiesser ..... A47K 13/00  
4/234

2011/0191950 A1 \* 8/2011 Liu ..... A47K 13/305  
4/233

\* cited by examiner

*Primary Examiner* — Robert A Delehanty

(74) *Attorney, Agent, or Firm* — Florek & Endres PLLC

(57) **CLAIM**

I claim the ornamental design for a toilet lid, as shown and described.

**DESCRIPTION**

FIG. 1 is a perspective view of the toilet lid of the present invention shown in an open position.

FIG. 2 is a perspective view of the toilet lid of the present invention shown in a closed position.

FIG. 3 is a top plan view of the toilet lid of the present invention.

FIG. 4 is a bottom plan view of the toilet lid of the present invention.

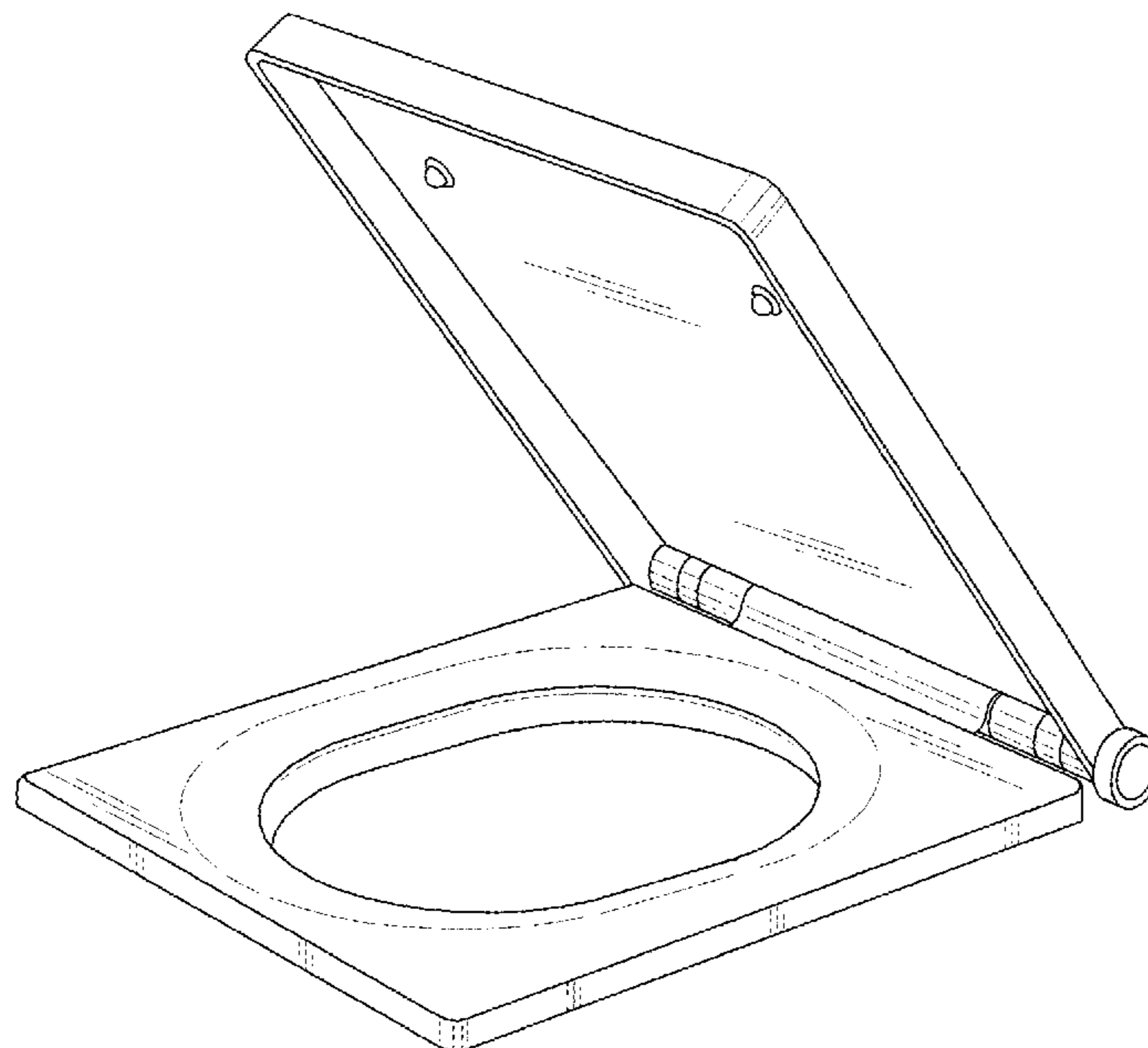
FIG. 5 is a front elevation view of the toilet lid of the present invention.

FIG. 6 is a rear elevation view of the toilet lid of the present invention.

FIG. 7 is a right side elevation view of the toilet lid of the present invention; and,

FIG. 8 is a left side elevation view of the toilet lid of the present invention.

**1 Claim, 4 Drawing Sheets**



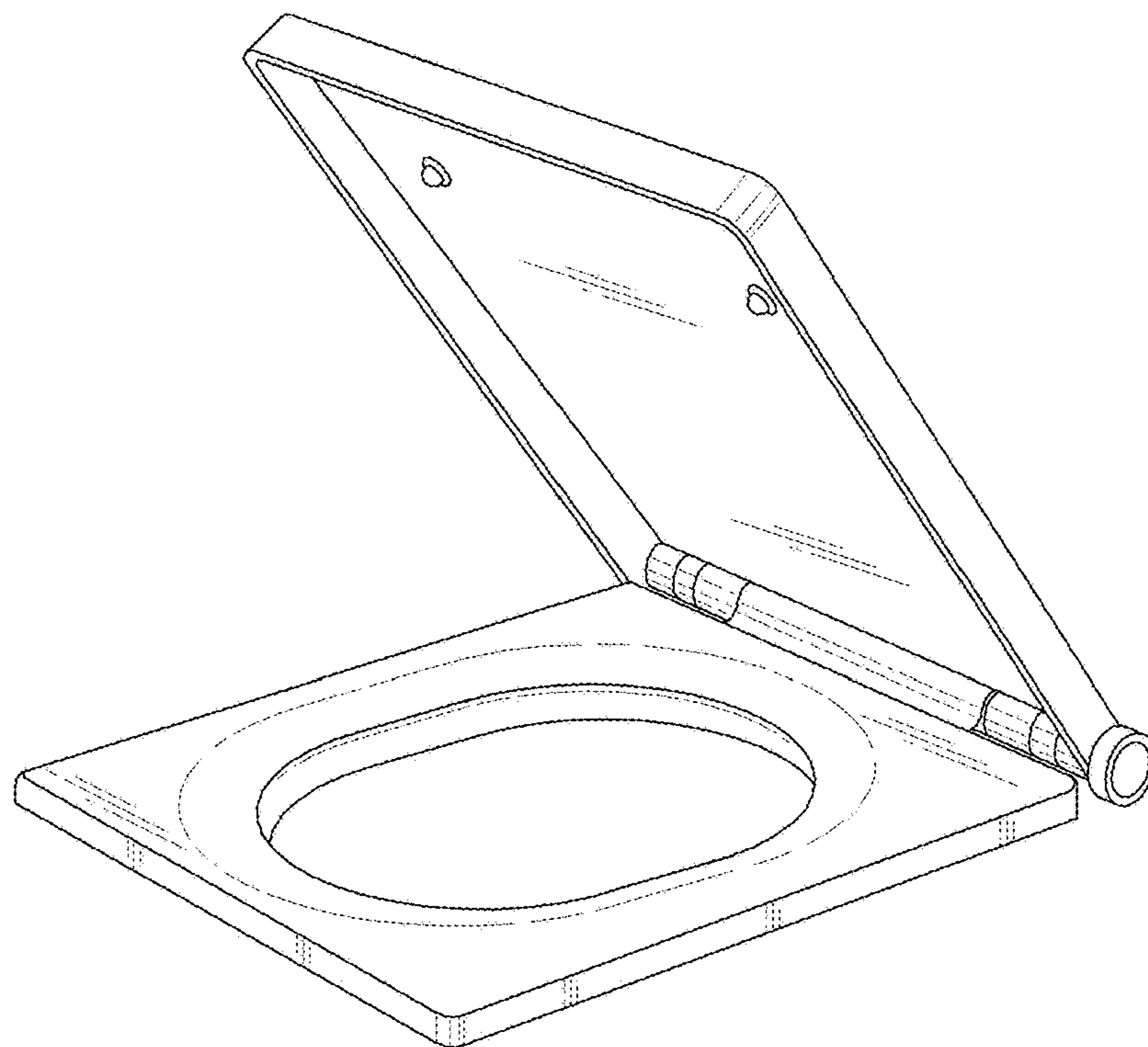


FIG. 1

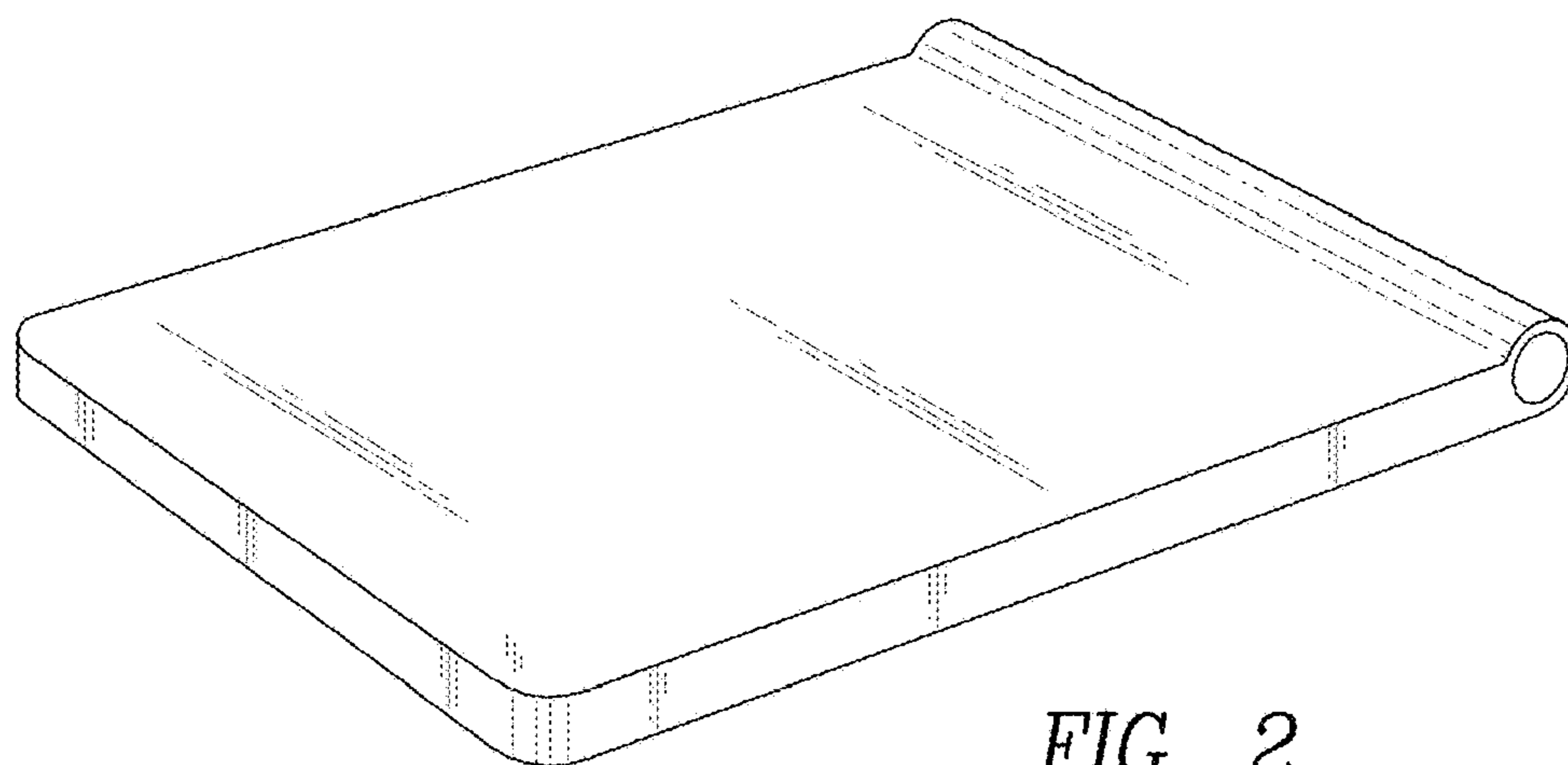


FIG. 2

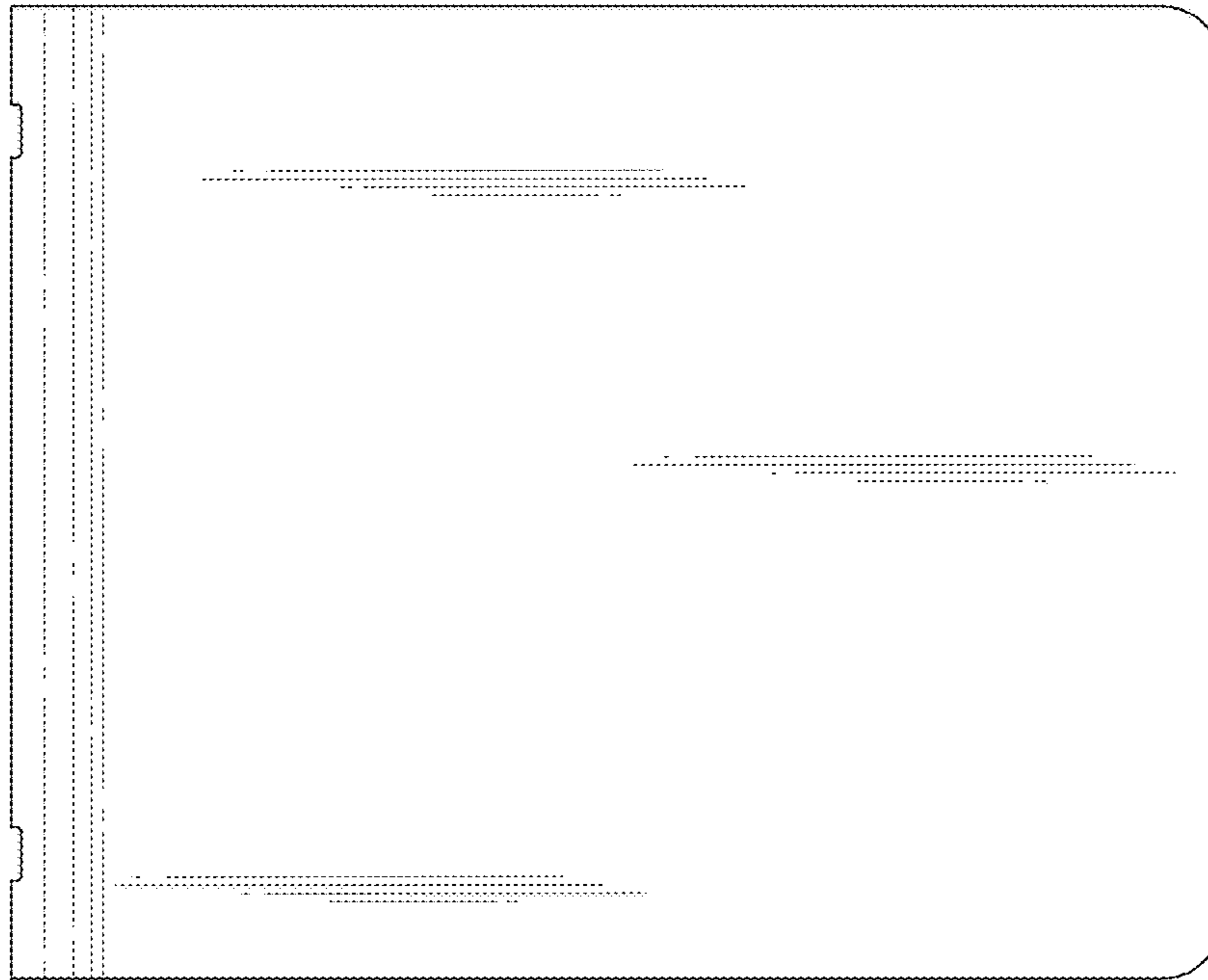


FIG. 3

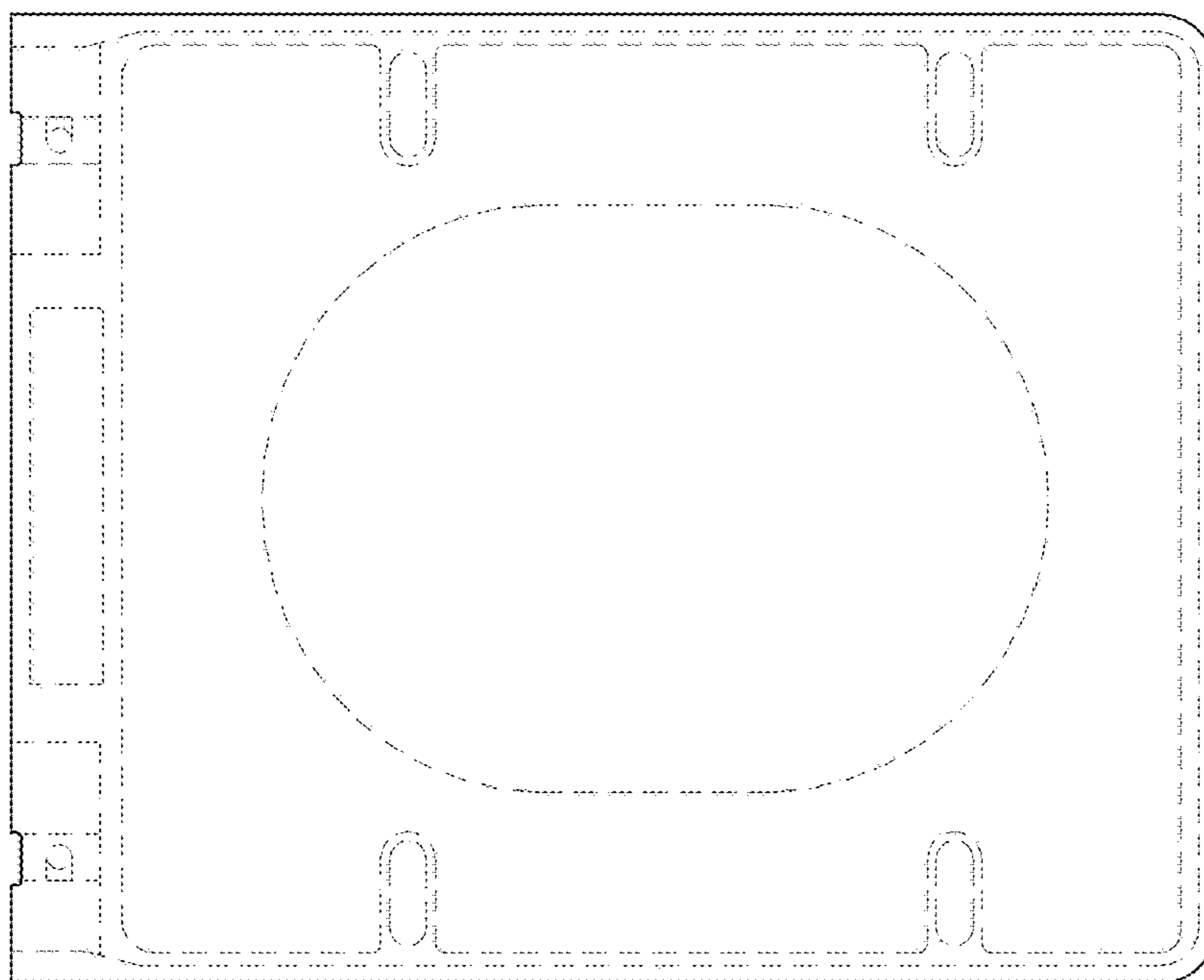
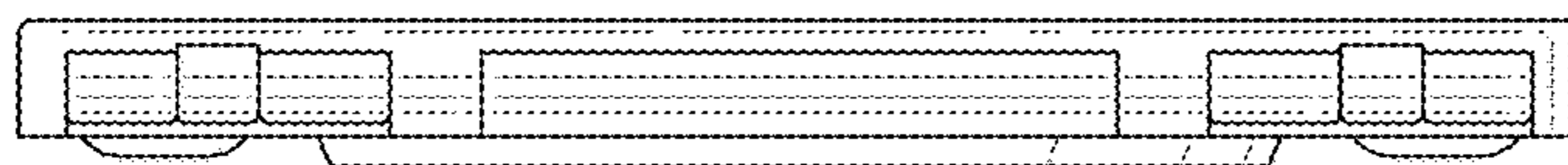


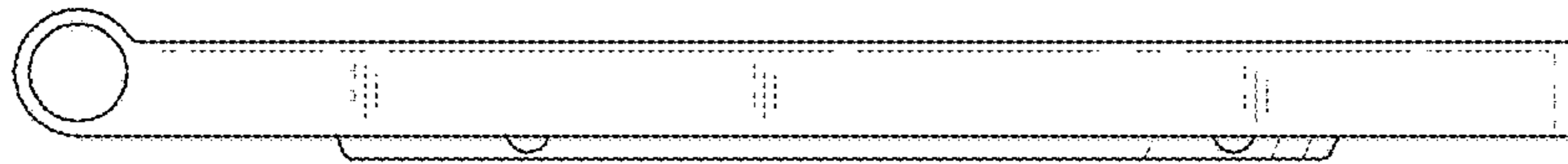
FIG. 4



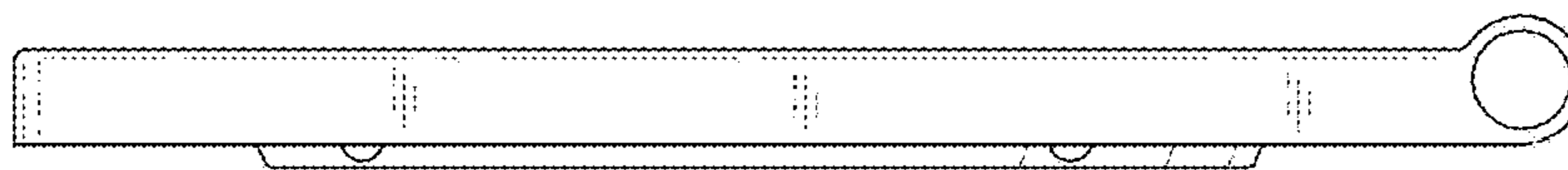
*FIG. 5*



*FIG. 6*



*FIG. 7*



*FIG. 8*