



US00D845451S

(12) **United States Design Patent** (10) **Patent No.:** **US D845,451 S**
Swilley (45) **Date of Patent:** **** Apr. 9, 2019**

(54) **APRON-FRONT SINK**
(71) Applicant: **Elkay Manufacturing Company**, Oak Brook, IL (US)
(72) Inventor: **Norris Swilley**, Oak Brook, IL (US)
(73) Assignee: **Elkay Manufacturing Company**, Oak Brook, IL (US)
(**) Term: **15 Years**
(21) Appl. No.: **29/632,236**
(22) Filed: **Jan. 5, 2018**
(51) **LOC (11) Cl.** **23-02**
(52) **U.S. Cl.**
USPC **D23/308**
(58) **Field of Classification Search**
USPC ... D23/270, 284, 285, 290, 289, 293.1, 303, D23/308, 499; D6/524, 573, 663-666, D6/671
CPC ... E03C 1/12; E03C 1/18; E03C 1/181; A47K 1/04; A47B 77/06; A47J 47/20
See application file for complete search history.

(56) **References Cited**
U.S. PATENT DOCUMENTS
D484,956 S * 1/2004 Rachiele D23/293.1
D632,373 S * 2/2011 Kehrer D23/293.1
D651,699 S * 1/2012 Booth D23/284
D655,798 S * 3/2012 Miller D23/284
D663,389 S * 7/2012 Miller D23/293.1
D670,364 S * 11/2012 Miller D23/290
D670,366 S * 11/2012 Booth D23/308
2012/0222211 A1 * 9/2012 Booth E03C 1/18 4/619
2012/0222212 A1 * 9/2012 Booth A47B 77/06 4/619

OTHER PUBLICATIONS
Amazon, Antica 33 Farmhouse sink, posted Sep. 25, 2017, [online], [visited Dec. 3, 2018]. Available from Internet, <URL: https://www.

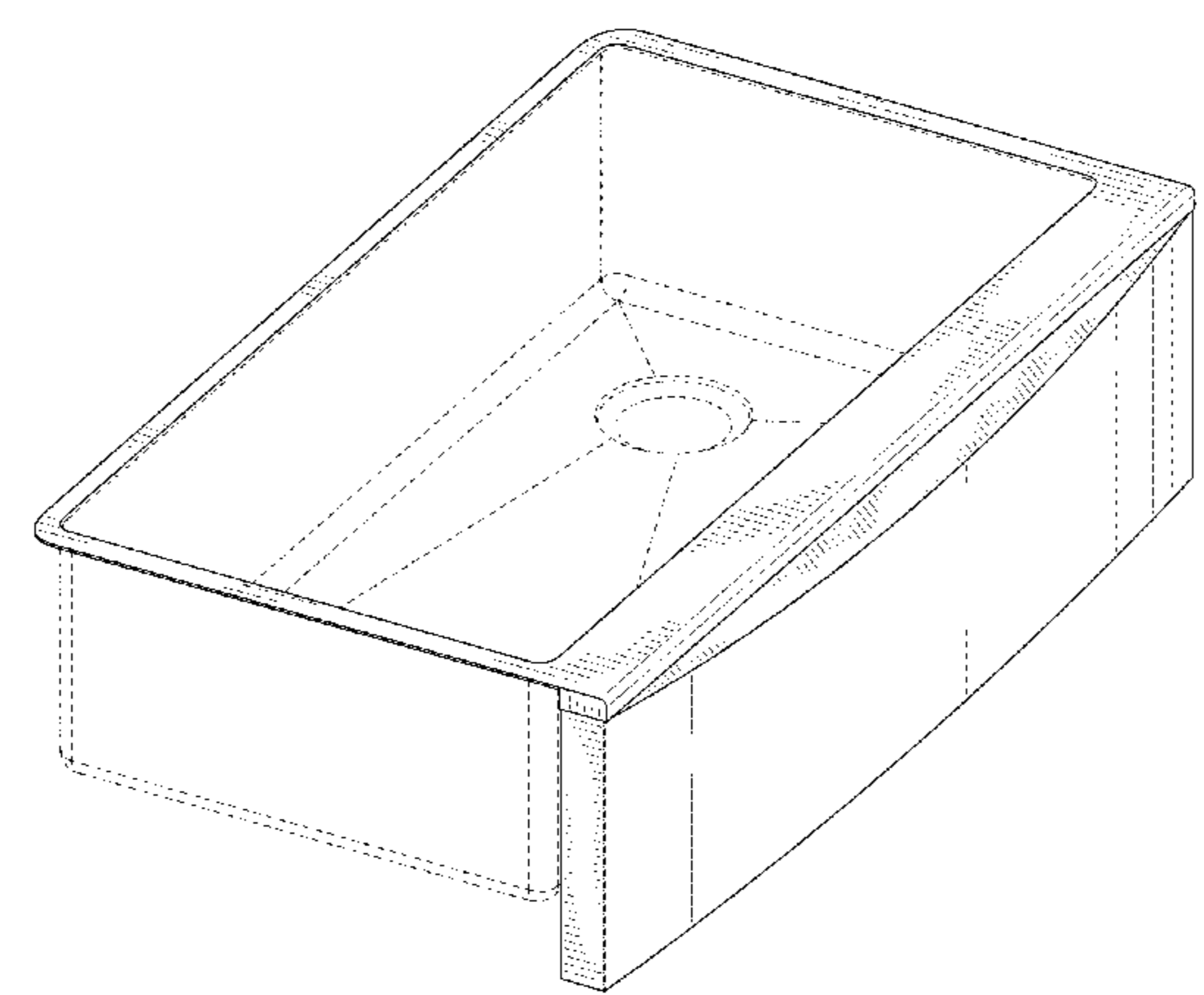
amazon.co.uk/Antica-Farmhouse-Copper-Kitchen-Single/dp/B075WWVHR1/ref=sr_1_4?ie=UTF8&qid=1543889779&sr=8-4&keywords=APRON+FRONT+SINK> (Year: 2017).*
Amazon, Rohl RSA3018SB Sink, posted Jan. 4, 2015, [online], [visited Dec. 3, 2018]. Available from Internet, <URL: https://www.amazon.co.uk/Rohl-RSA3018SB-Apron-Single-Stainless/dp/B00RVYIS5W/ref=sr_1_79?ie=UTF8&qid=1543889865&sr=8-79&keywords=APRON+FRONT+SINK> (Year: 2015).*

* cited by examiner
Primary Examiner — Sheryl Lane
Assistant Examiner — Samantha N Wood
(74) *Attorney, Agent, or Firm* — Leydig, Voit & Mayer, Ltd.

(57) **CLAIM**
The ornamental design for an apron-front sink, as shown and described.

DESCRIPTION
FIG. 1 is a perspective view taken from the front, top, and left side of an apron-front sink in accordance with my new design.
FIG. 2 is a front elevational view of the apron-front sink of FIG. 1.
FIG. 3 is a rear elevational view of the apron-front sink of FIG. 1.
FIG. 4 is a right side elevational view of the apron-front sink of FIG. 1.
FIG. 5 is a top plan view of the apron-front sink of FIG. 1; and,
FIG. 6 is a bottom plan view of the apron-front sink of FIG. 1.
The left side elevational view is the mirror image of FIG. 4. The broken lines shown depict portions of the sink that form no part of the claimed design.

1 Claim, 5 Drawing Sheets



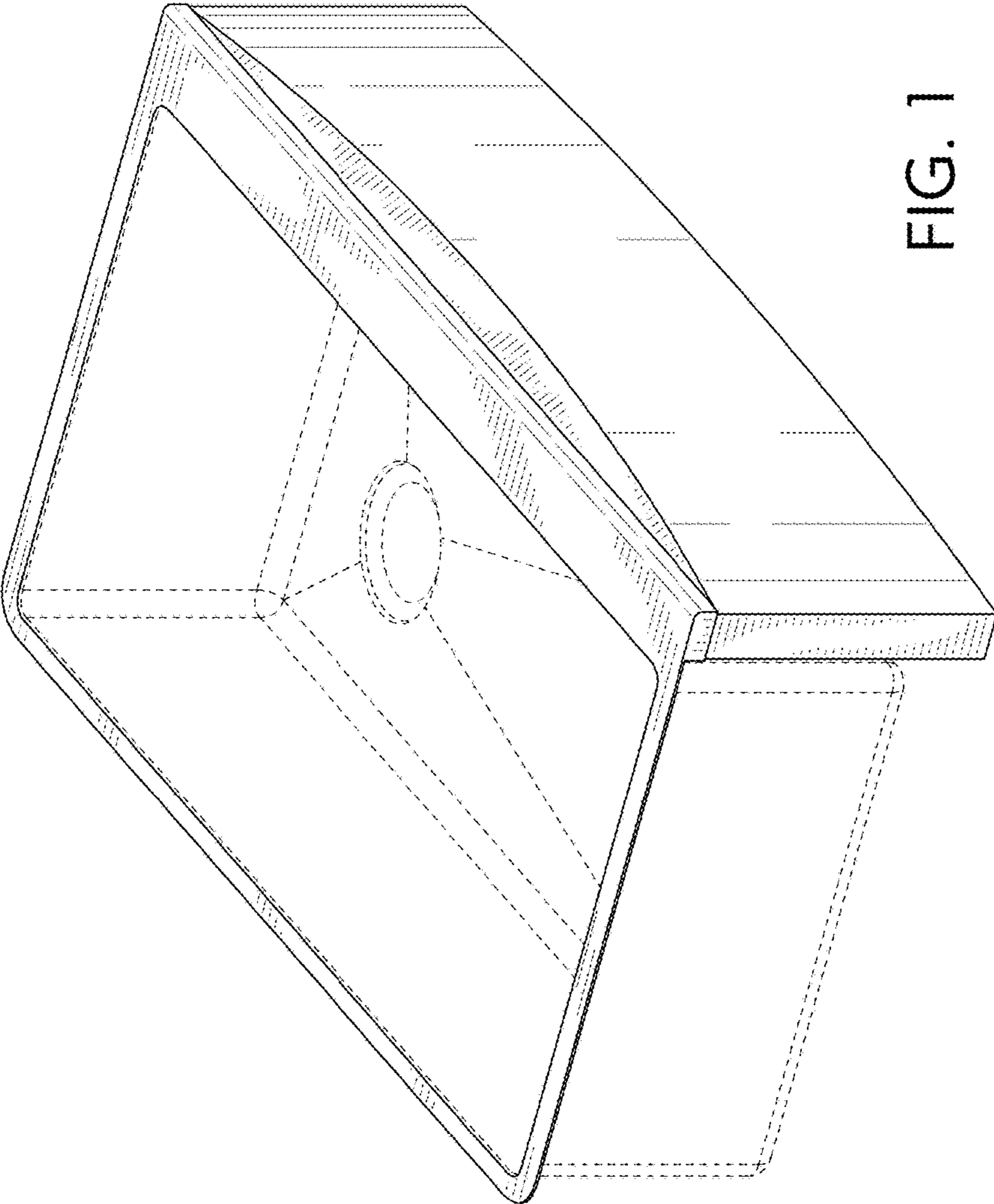


FIG. 1

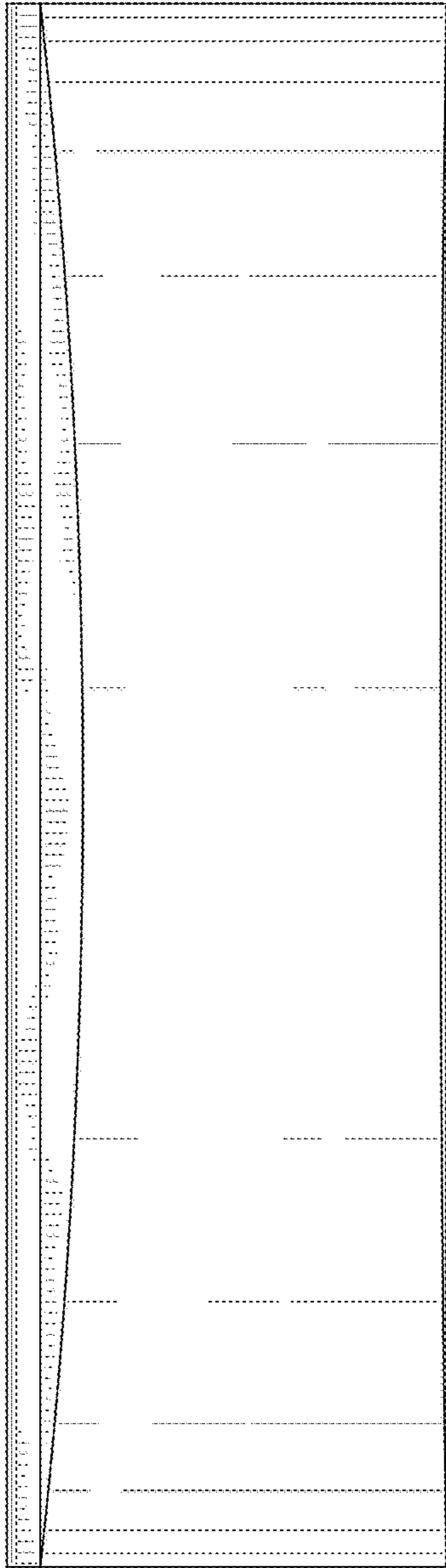


FIG. 2

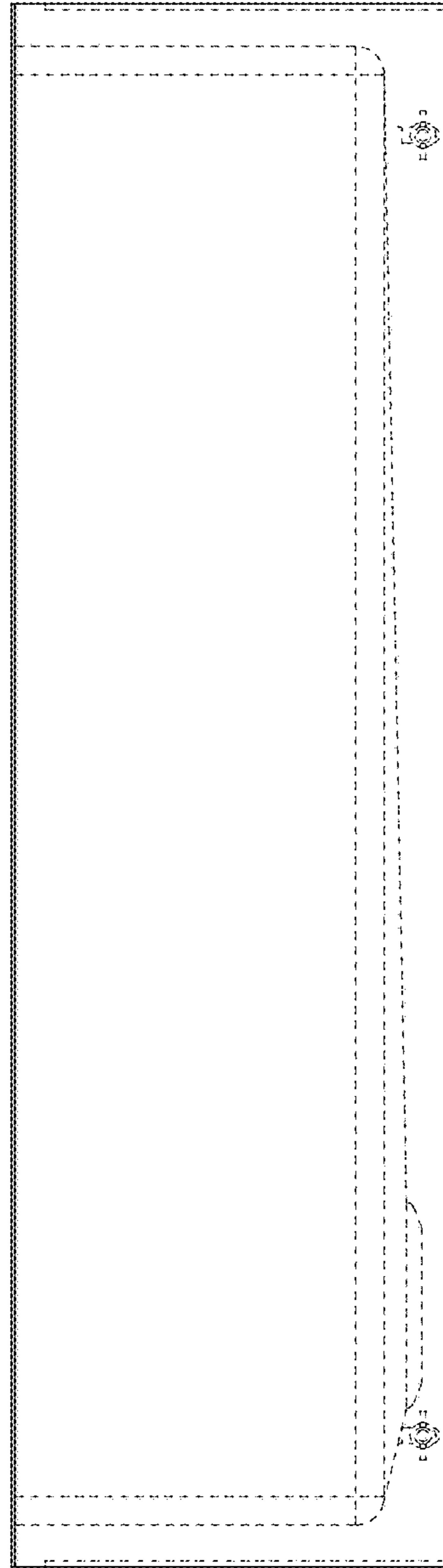


FIG. 3

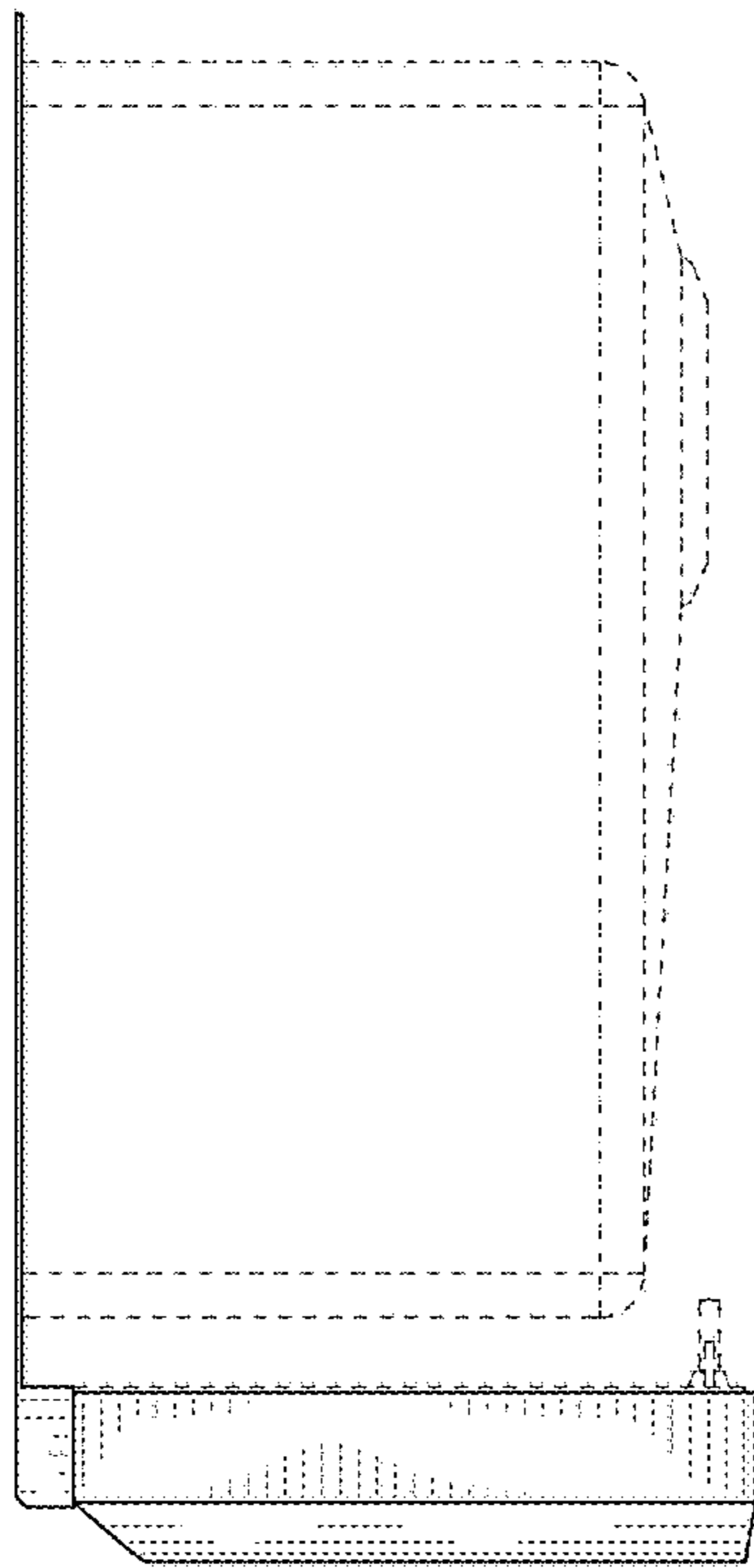


FIG. 4

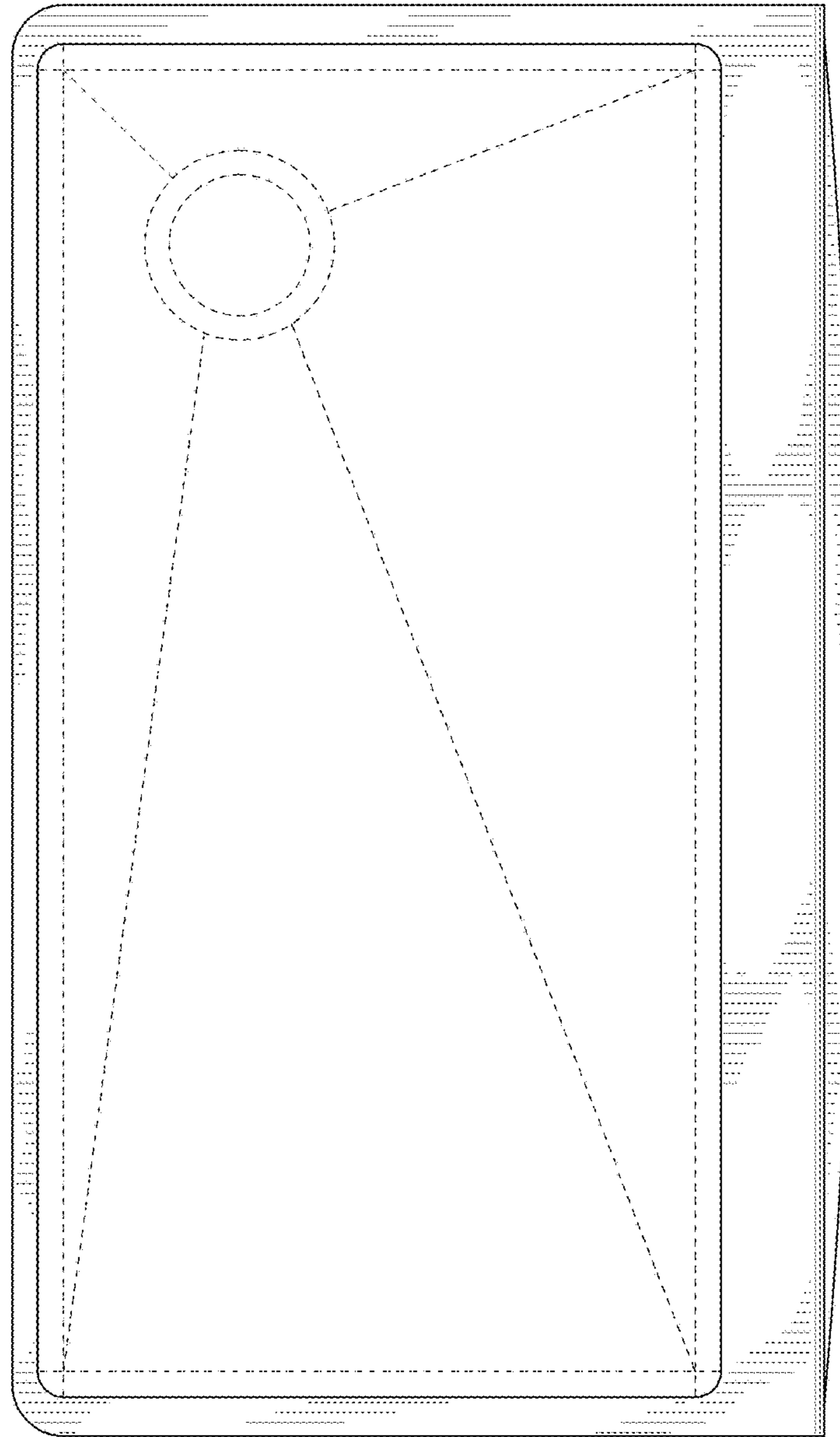


FIG. 5

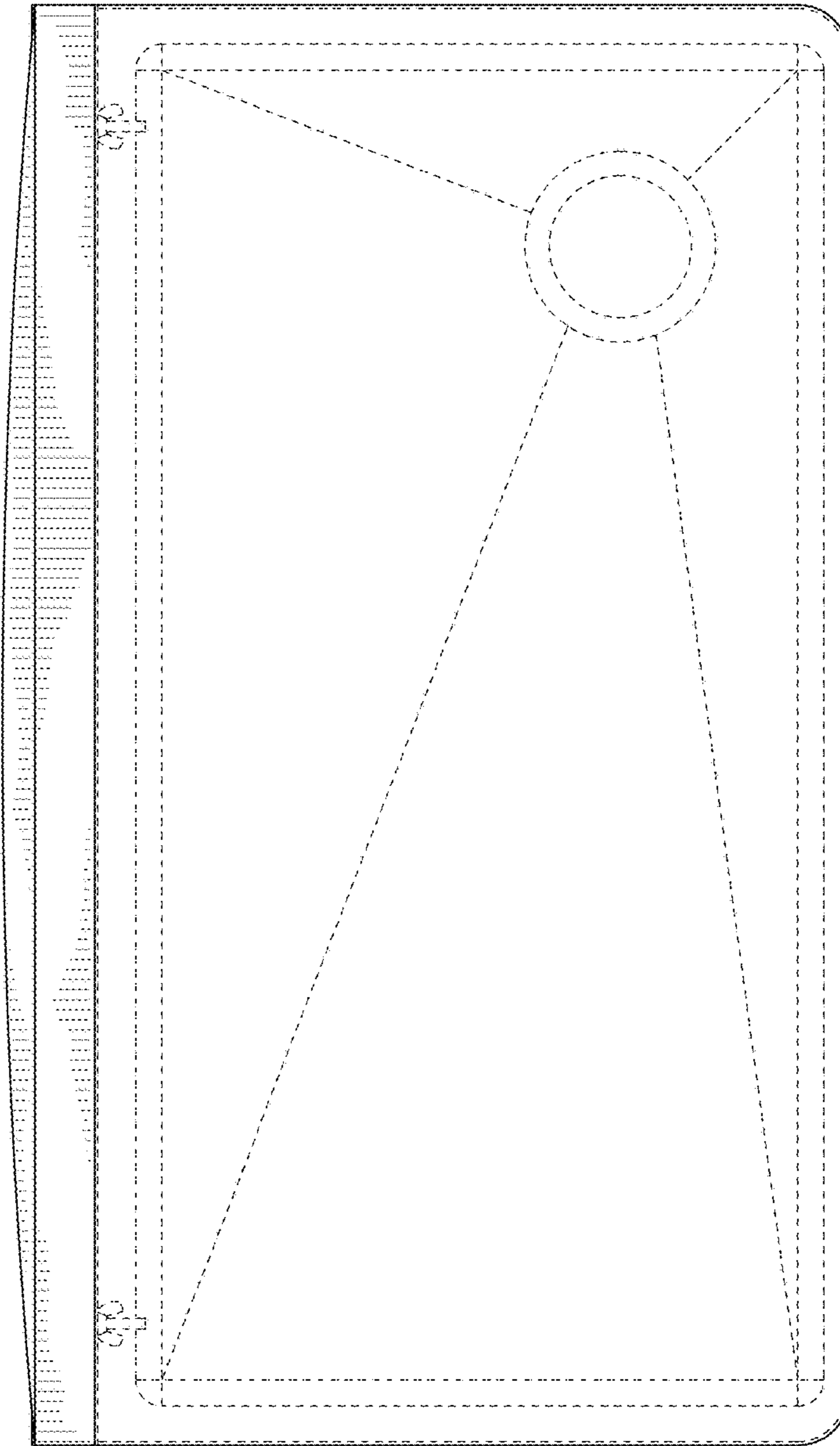


FIG. 6