



US00D845448S

(12) **United States Design Patent**
Tanghetti

(10) **Patent No.:** **US D845,448 S**

(45) **Date of Patent:** **** Apr. 9, 2019**

(54) **JOINT**

(71) Applicant: **EFFEBI S.P.A.**, Bovezzo (IT)

(72) Inventor: **Ermanno Tanghetti**, Concesio (IT)

(73) Assignee: **EFFEBI S.P.A.**, Bovezzo (IT)

(**) Term: **15 Years**

(21) Appl. No.: **35/504,277**

(22) Filed: **Sep. 13, 2017**

(80) **Hague Agreement Data**

Int. Filing Date: **Sep. 13, 2017**

Int. Reg. No.: **DM/099097**

Int. Reg. Date: **Sep. 13, 2017**

Int. Reg. Pub. Date: **Jan. 5, 2018**

(30) **Foreign Application Priority Data**

Mar. 13, 2017 (WO) DM/095612

(51) **LOC (11) Cl.** **23-01**

(52) **U.S. Cl.**
USPC **D23/262**

(58) **Field of Classification Search**

USPC D23/259, 262, 265; D8/349, 354, 382,
D8/387

CPC B05B 7/0425; E03C 1/08; E03C 1/084;
E03C 1/086; E03C 2001/026

See application file for complete search history.

(56) **References Cited**

U.S. PATENT DOCUMENTS

D315,400 S * 3/1991 Medvick D23/262

D482,761 S * 11/2003 Gotoh D23/233

D570,457 S *	6/2008	Brown	D23/262
D583,026 S *	12/2008	Dirneder	D23/262
D608,424 S *	1/2010	Katsuta	D23/266
D617,428 S *	6/2010	Bachmann	D23/262
D719,244 S *	12/2014	Yang	D23/262
D782,619 S *	3/2017	Horstmann	D23/259
D782,620 S *	3/2017	Becker	D23/259
D787,650 S *	5/2017	Erickson	D23/262
D790,044 S *	6/2017	Li	D23/262
D816,811 S *	5/2018	Dagdelen	D23/259
D830,524 S *	10/2018	Vranish	D23/262
D833,586 S *	11/2018	Khubani	D23/262
2006/0237679 A1 *	10/2006	Tanghetti	F16K 27/06 251/286

* cited by examiner

Primary Examiner — Keli L Hill

(74) *Attorney, Agent, or Firm* — Workman Nydegger

(57) **CLAIM**

The ornamental design for the joint, as shown and described.

DESCRIPTION

1. Joint

1.1 : Front/side perspective view

1.2 : Front elevation view

1.3 : Rear elevation view

1.4 : Right side elevation view

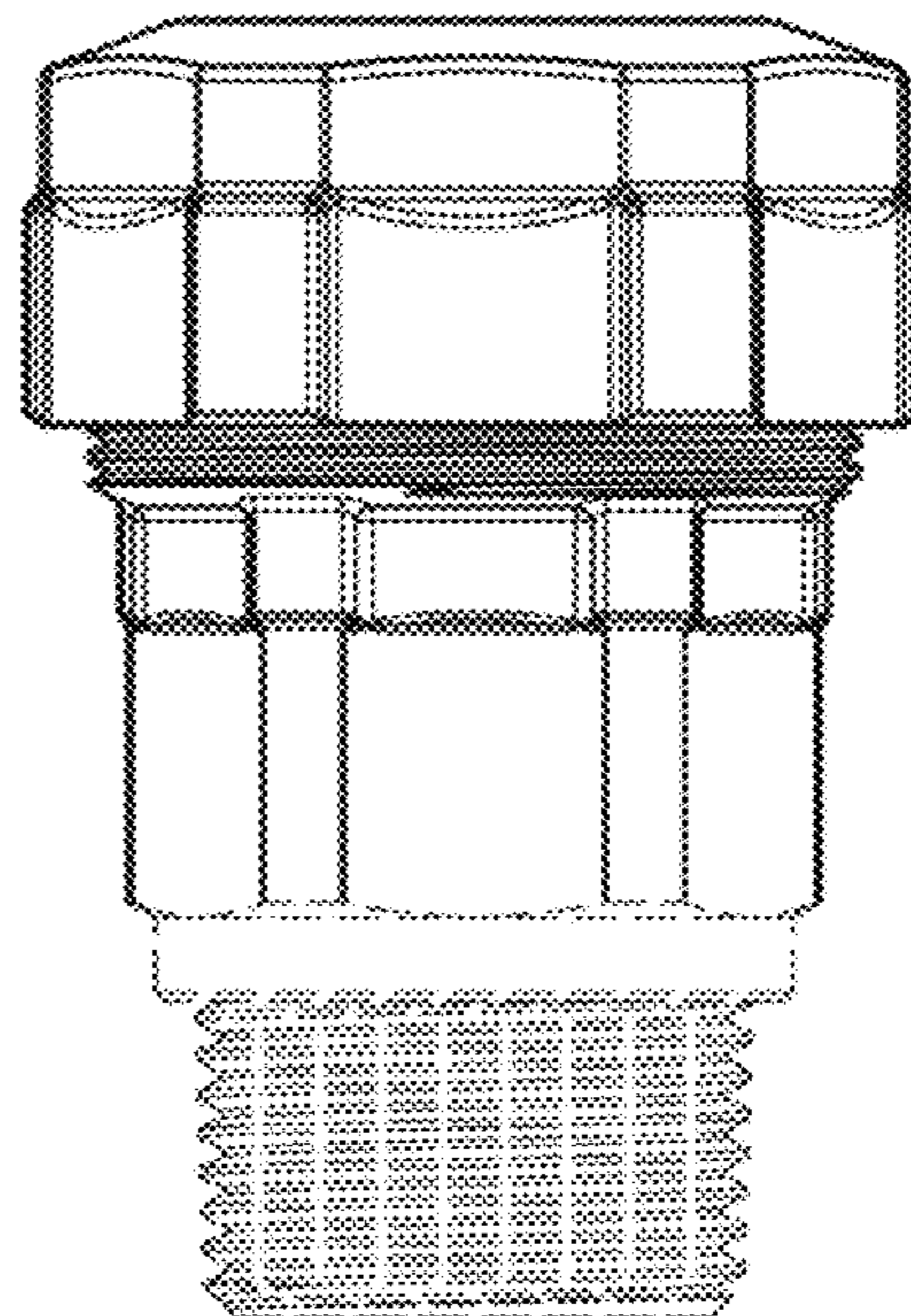
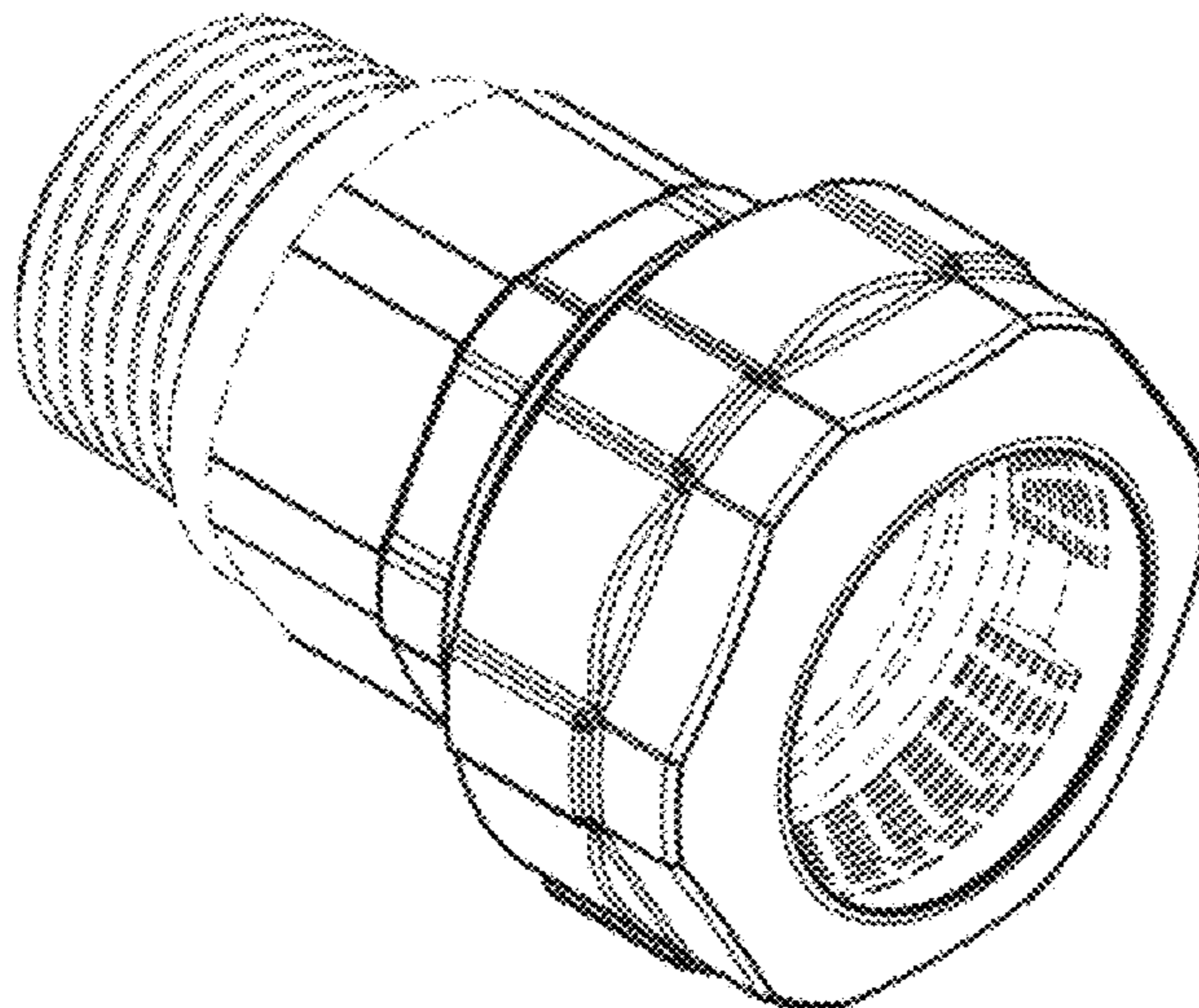
1.5 : Left side elevation view

1.6 : Top plan view

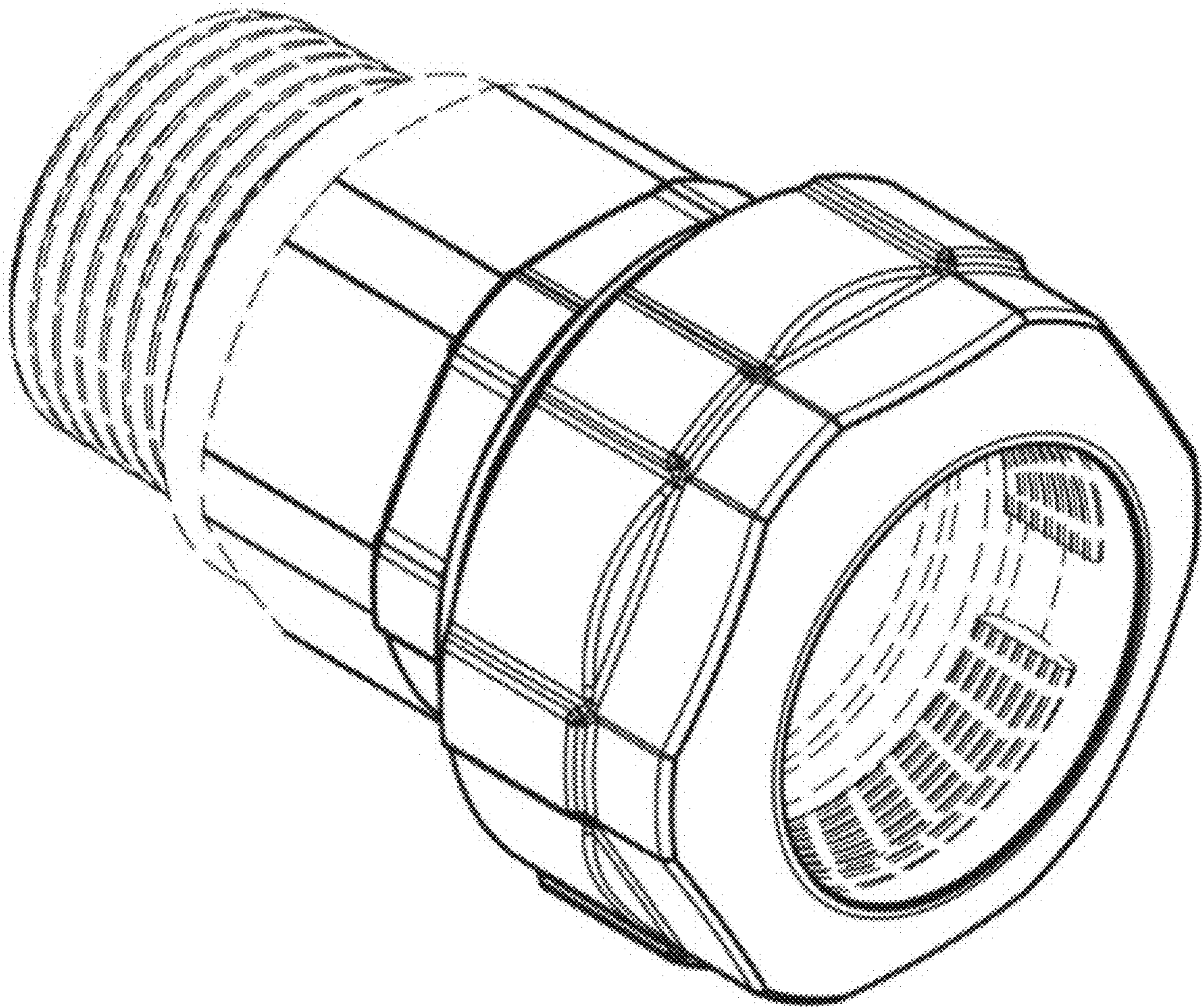
1.7 : Bottom plan view

Any broken line illustration of the structure in the drawing is not part of the design sought to be registered.

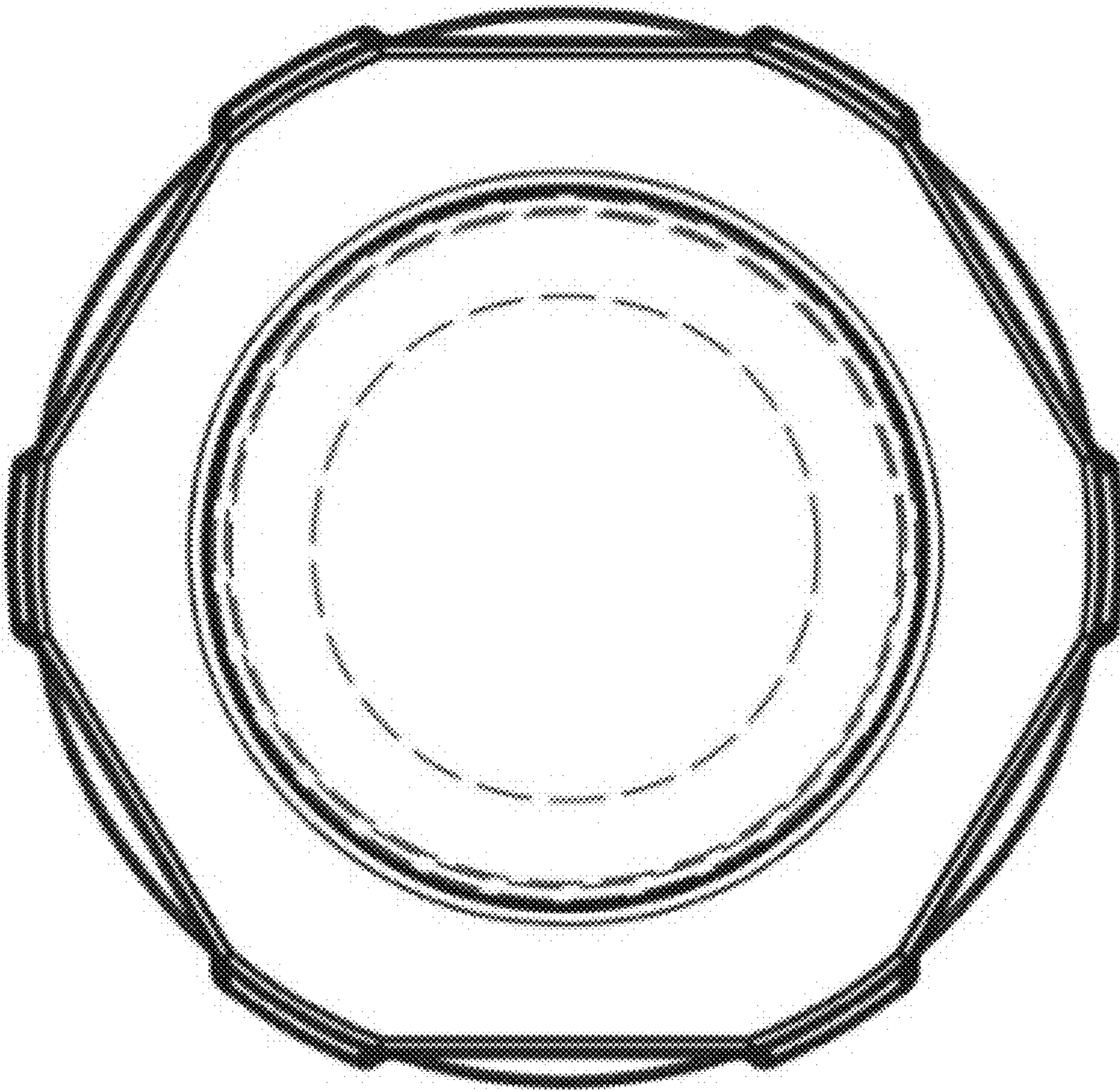
1 Claim, 7 Drawing Sheets



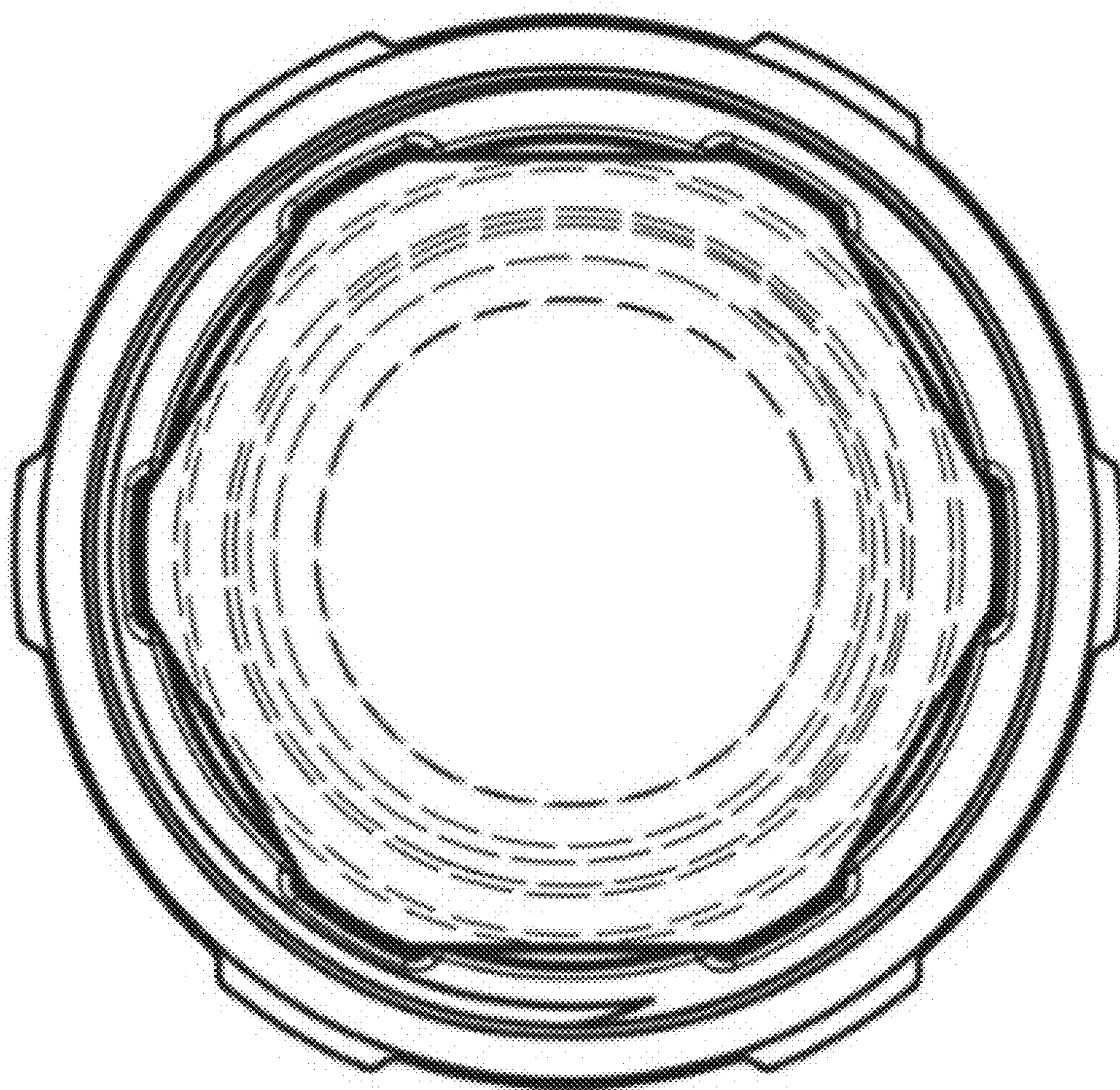
1.1



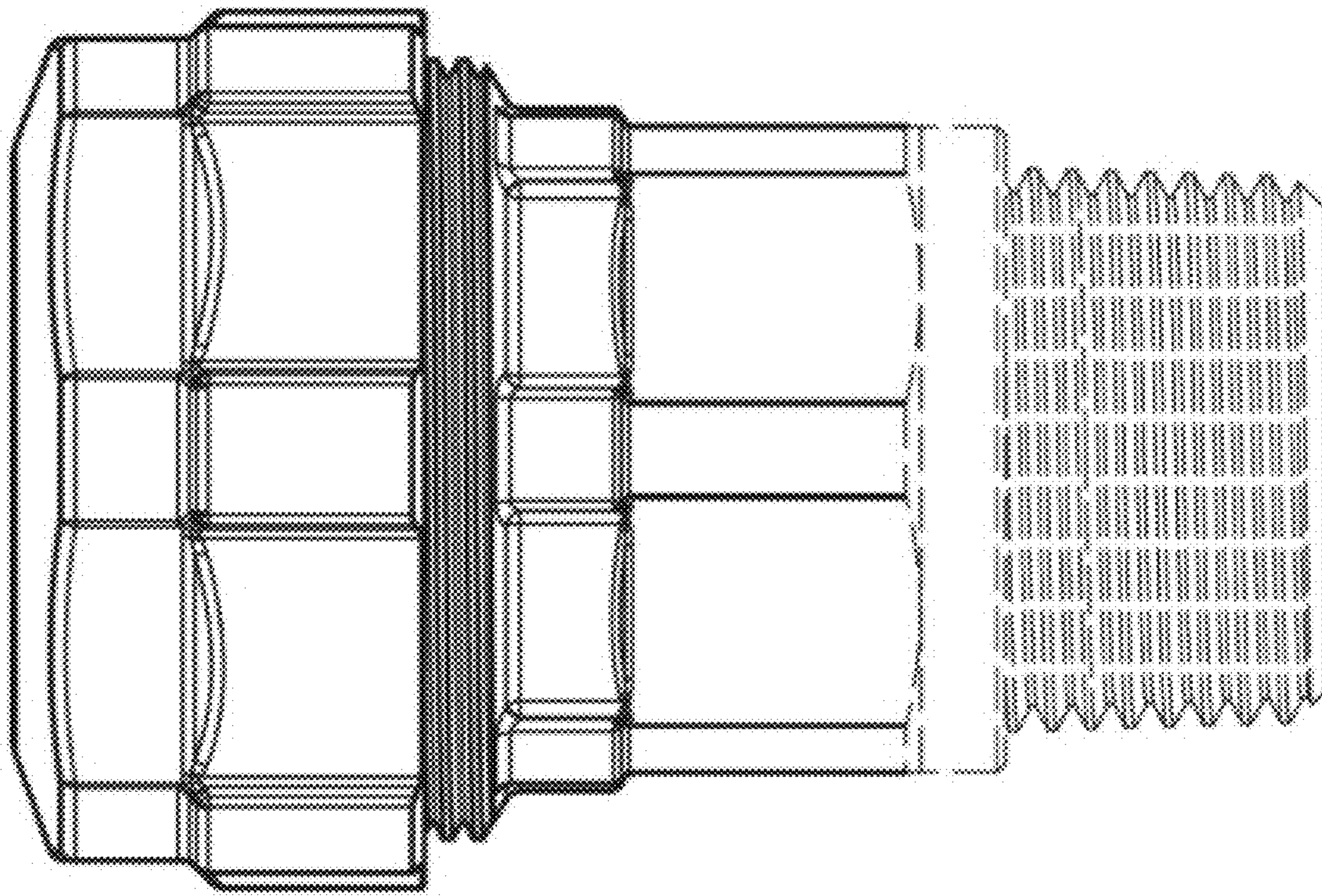
1.2



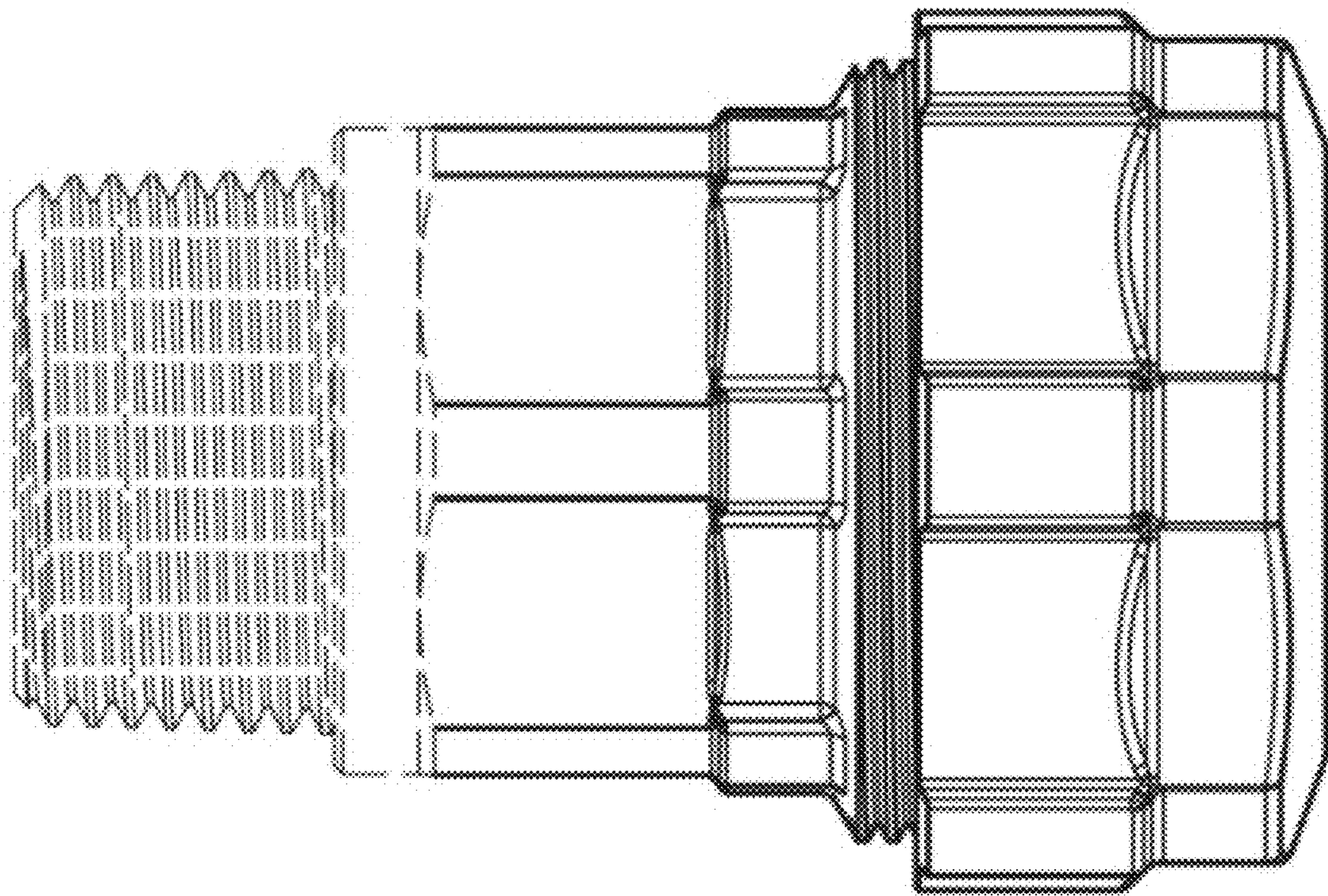
1.3



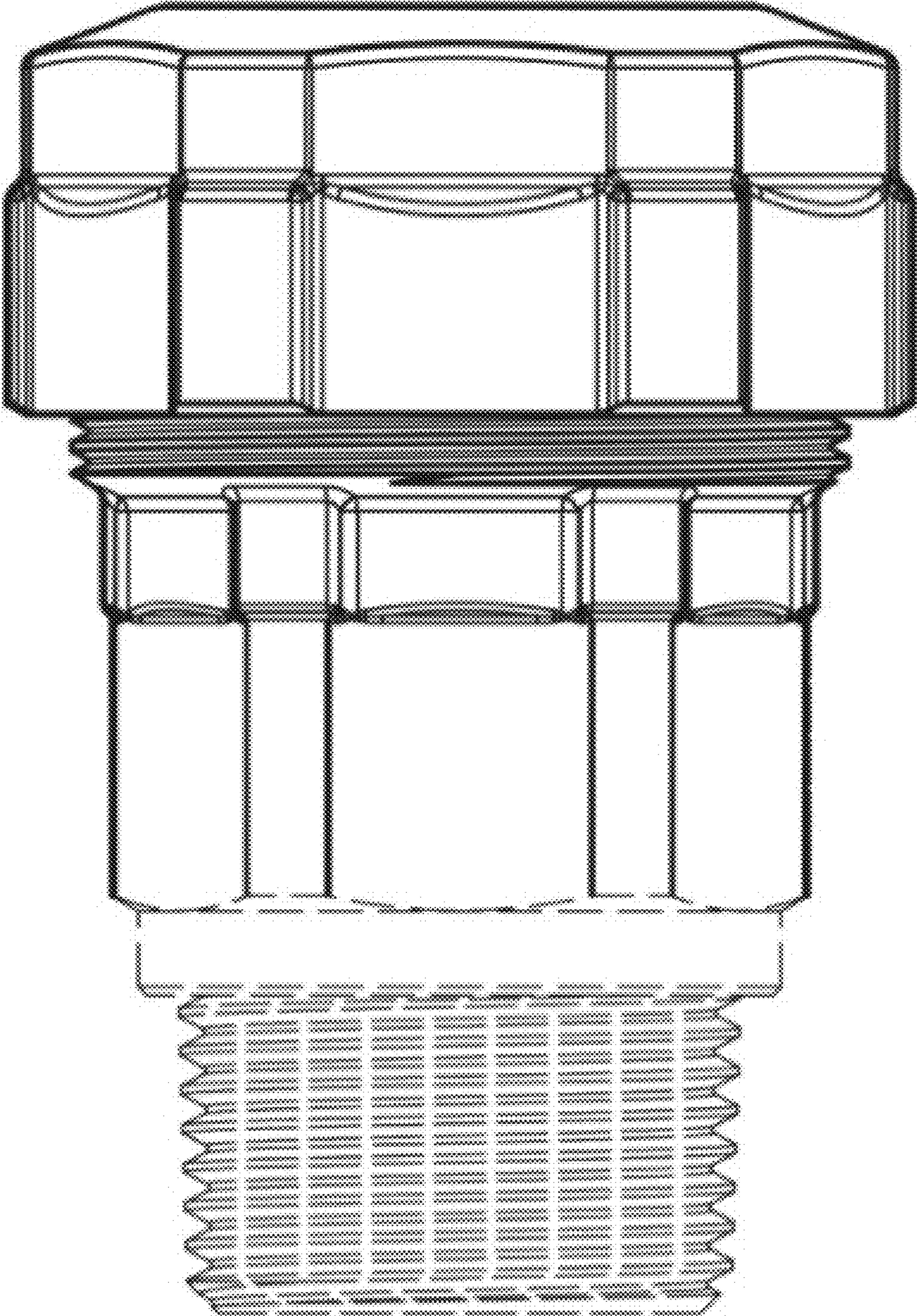
1.4



1.5



1.6



1.7

