



US00D845447S

(12) **United States Design Patent**  
**Bearsch et al.**

(10) **Patent No.:** **US D845,447 S**

(45) **Date of Patent:** **\*\* Apr. 9, 2019**

(54) **TUB STOPPER**

- (71) Applicant: **Skip Hop, Inc.**, New York, NY (US)
- (72) Inventors: **Benjamin Bearsch**, Brooklyn, NY (US); **Adam L. Hayes**, Brooklyn, NY (US); **Janet Villano**, Jersey City, NJ (US)
- (73) Assignee: **SKIP HOP, INC.**, New York, NY (US)

(\*\*) Term: **15 Years**

(21) Appl. No.: **29/625,613**

(22) Filed: **Nov. 10, 2017**

(51) **LOC (11) Cl.** ..... **23-01**

(52) **U.S. Cl.**

USPC ..... **D23/260**

(58) **Field of Classification Search**

USPC ..... D23/259–261, 208–210; D7/399, 400; D21/597, 599; 4/286–287, 292–293, 295

CPC ..... E03C 1/03; E03C 1/22; E03C 1/23; E03C 1/26; E03C 1/262; E03C 1/264

See application file for complete search history.

(56) **References Cited**

**U.S. PATENT DOCUMENTS**

D248,134 S *	6/1978	Shames	.....	D23/260
D336,948 S *	6/1993	Frankel	.....	D23/261
D379,403 S *	5/1997	Jones	.....	D23/261
D392,371 S *	3/1998	Holcombe	.....	D23/261
D412,970 S *	8/1999	Whyte	.....	D23/260
D430,652 S *	9/2000	Toit	.....	D23/260
D597,181 S *	7/2009	Jones	.....	D23/260
D673,247 S *	12/2012	Eylon	.....	D23/261
D680,628 S *	4/2013	Houck	.....	D23/260
D686,707 S *	7/2013	Ychie	.....	D23/261
D725,752 S *	3/2015	Bargiel	.....	D23/261
D743,509 S *	11/2015	Traub	.....	D23/261
D781,400 S *	3/2017	Montoya	.....	D23/260

**OTHER PUBLICATIONS**

Skip Hop Moby Tub Stopper, Blue, Amazon, Date First Available Aug. 2, 2014, [Visited Online Jul. 15, 2018], <https://www.amazon.ca/Skip-Hop-Moby-Stopper-Blue/dp/B00LMV9HQE>.\*

Baby Furniture Plus Kids, Moby Drain Cover Skip Hop, Copyright 2018, [Visited Online Jul. 15, 2018] <https://www.babyfurnitureplus.net/moby-drain-cover-moby-sky-blue-2>.\*

\* cited by examiner

*Primary Examiner* — Eric L Goodman  
*Assistant Examiner* — Amy C Wierenga

(74) *Attorney, Agent, or Firm* — Stephen J. Weyer, Esq.; Stites & Harbison, PLLC

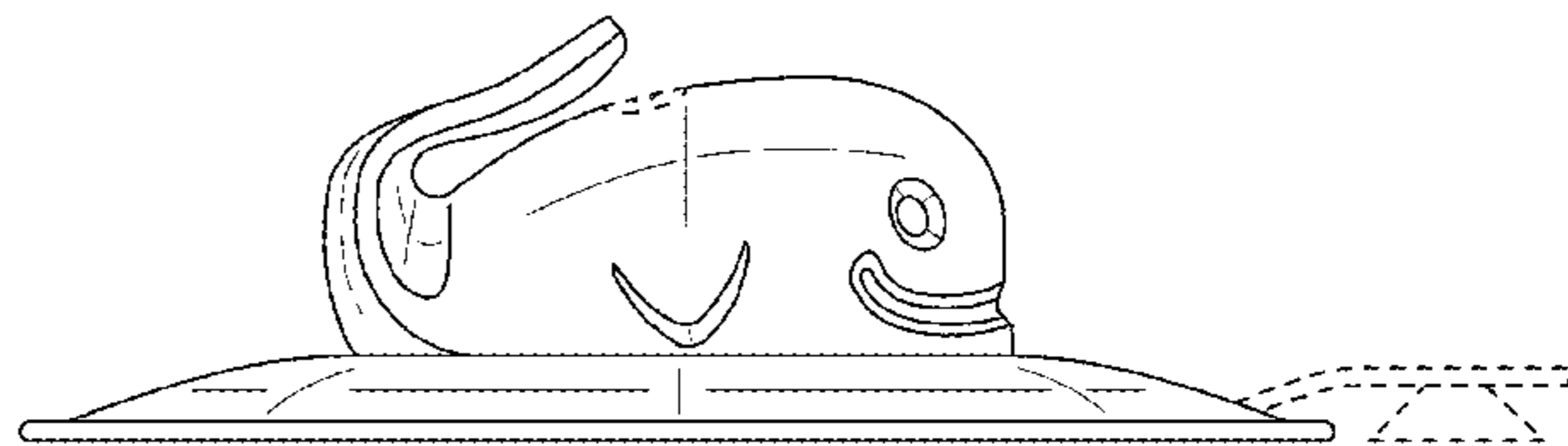
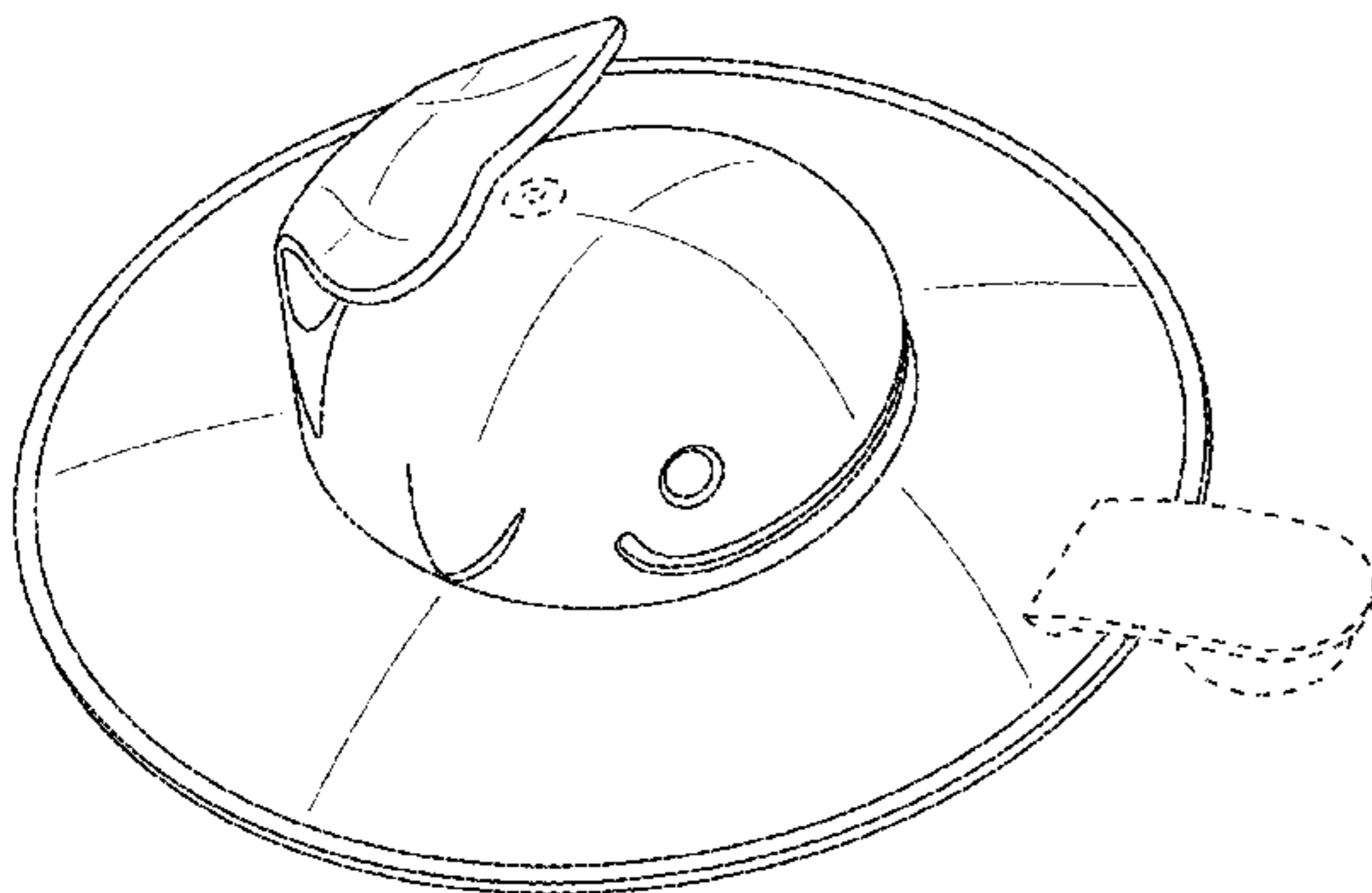
(57) **CLAIM**

The ornamental design for a tub stopper, as shown and described.

**DESCRIPTION**

FIG. 1 is a perspective view taken from the top, front, and left side of the tub stopper of the present invention; FIG. 2 is a left side elevational view of the tub stopper of FIG. 1, the opposite side being a mirror image thereof; FIG. 3 is a bottom plan view of the tub stopper of FIG. 1; FIG. 4 is a top plan view of the tub stopper of FIG. 1; FIG. 5 is a front elevational view of the tub stopper of FIG. 1; FIG. 6 is a rear elevational view of the tub stopper of FIG. 1; and, FIG. 7 is a perspective view taken from the bottom, front, and left side of the tub stopper of FIG. 1. The broken lines in the drawing views are included for illustrating portions of the tub stopper, and form no part of the claimed design.

**1 Claim, 7 Drawing Sheets**



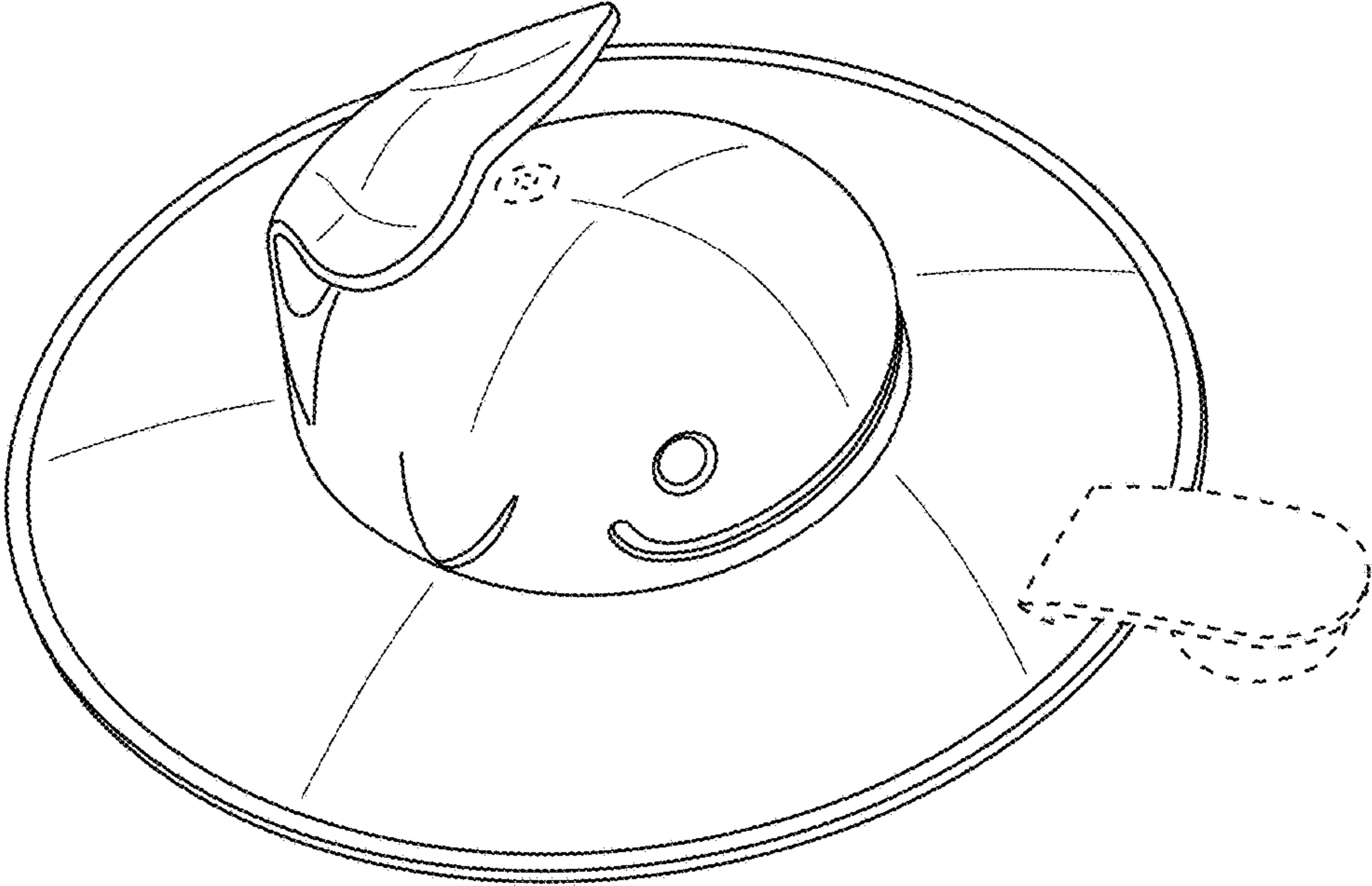


FIG. 1

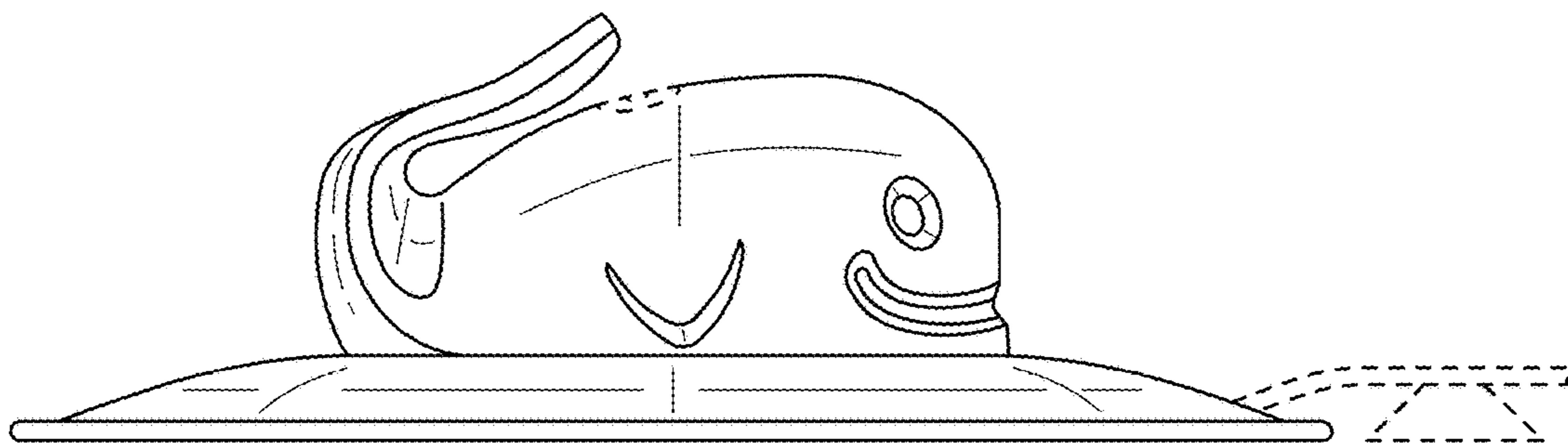


FIG. 2

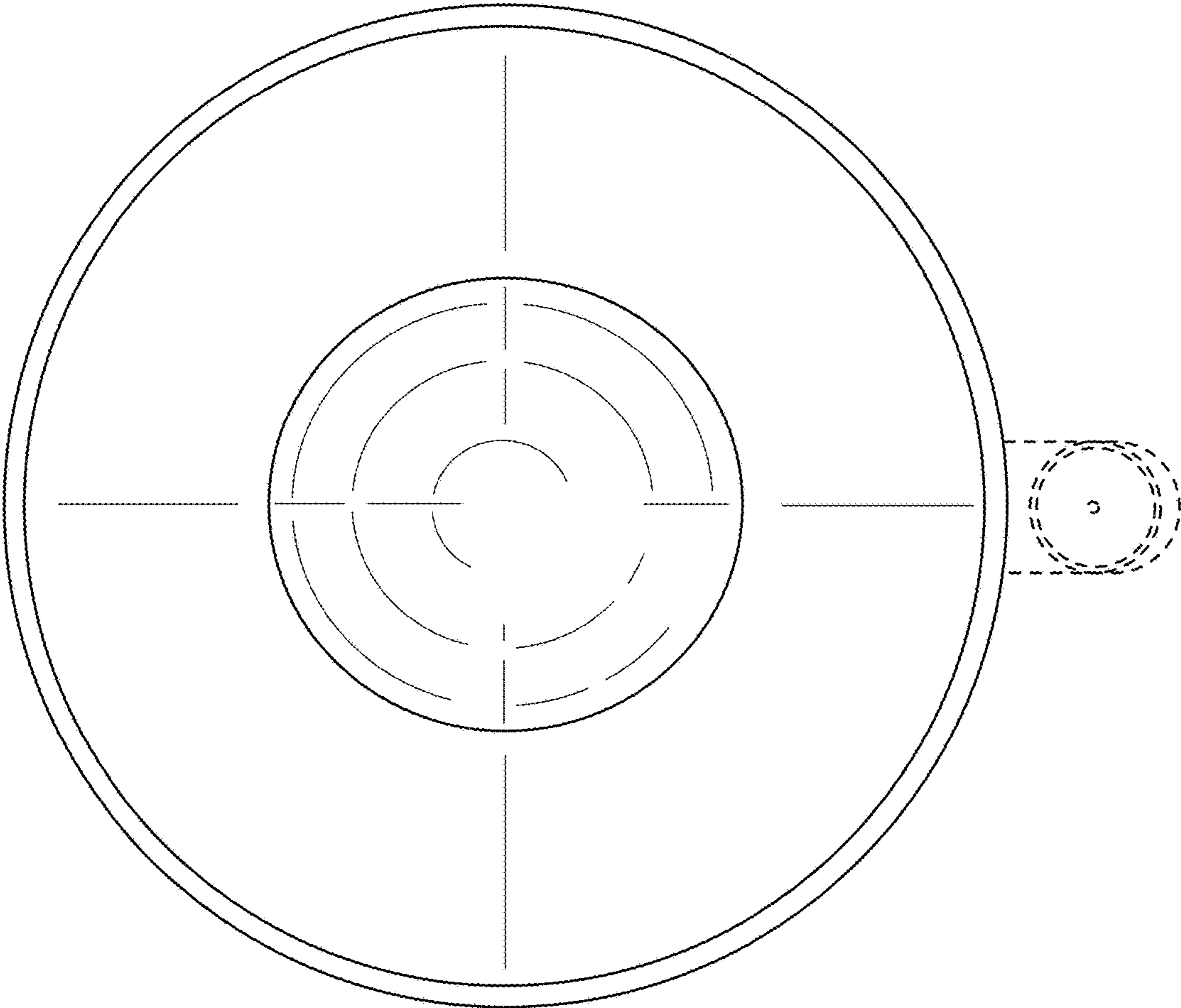


FIG. 3

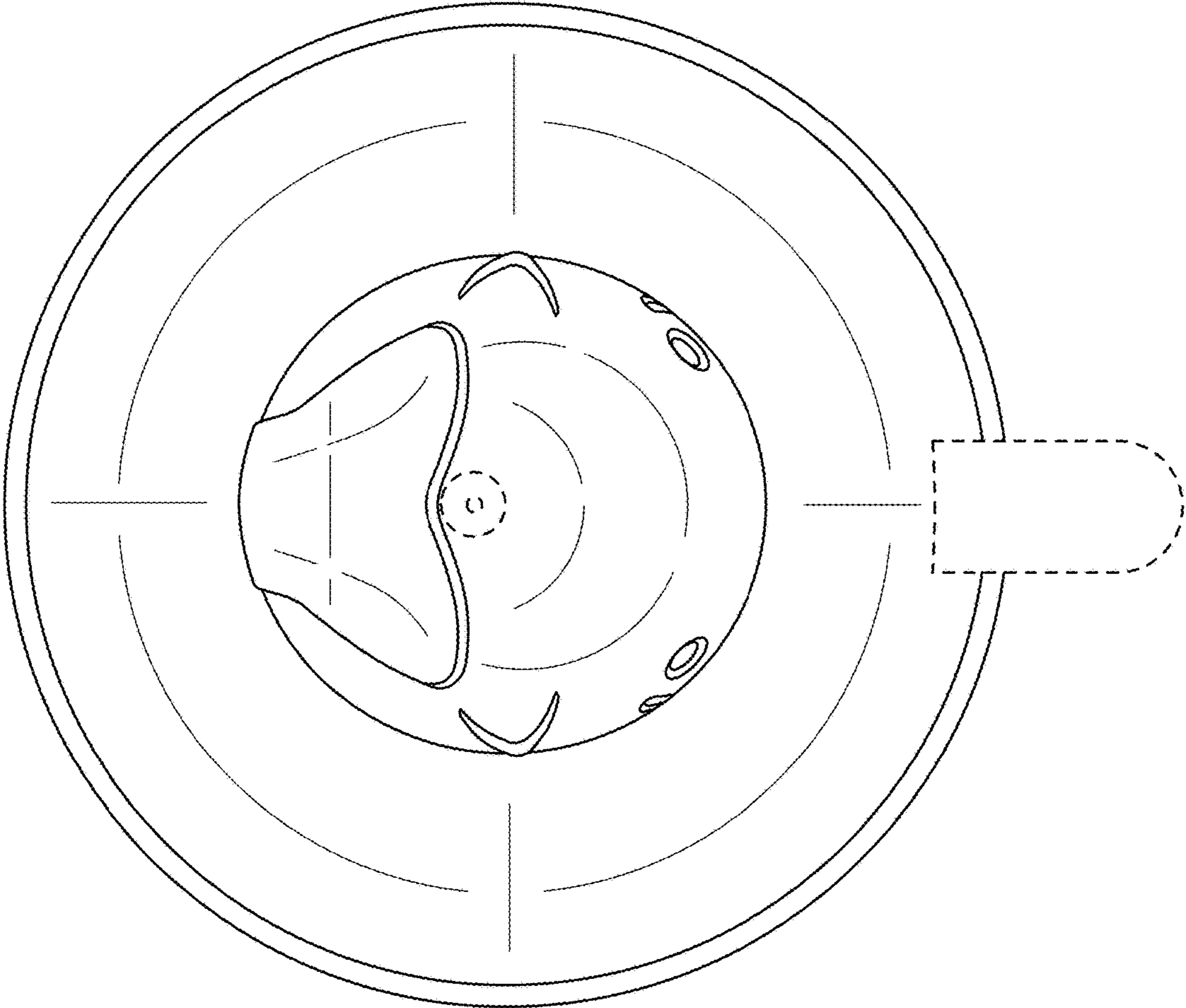


FIG. 4

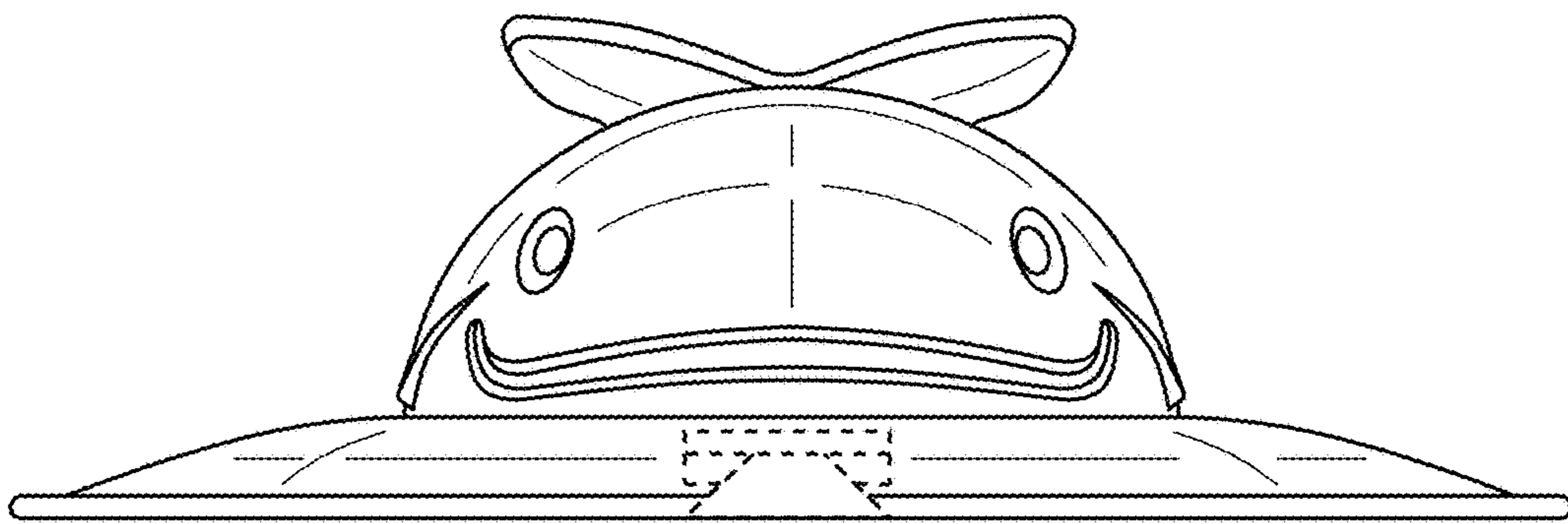


FIG. 5

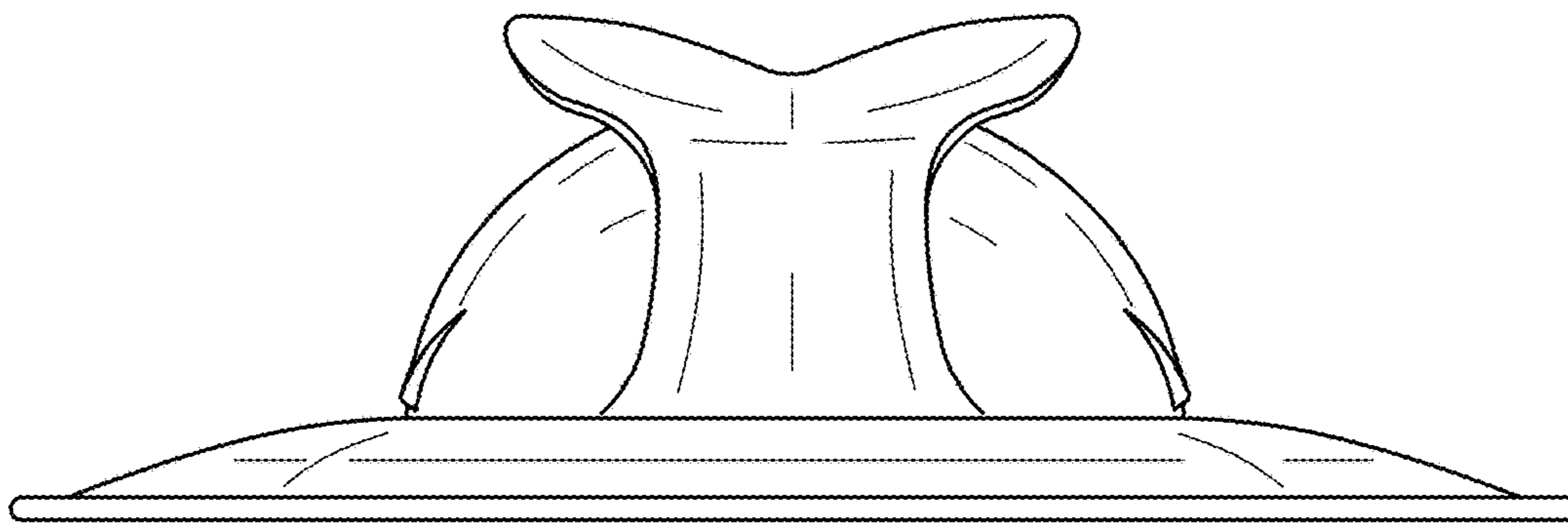


FIG. 6



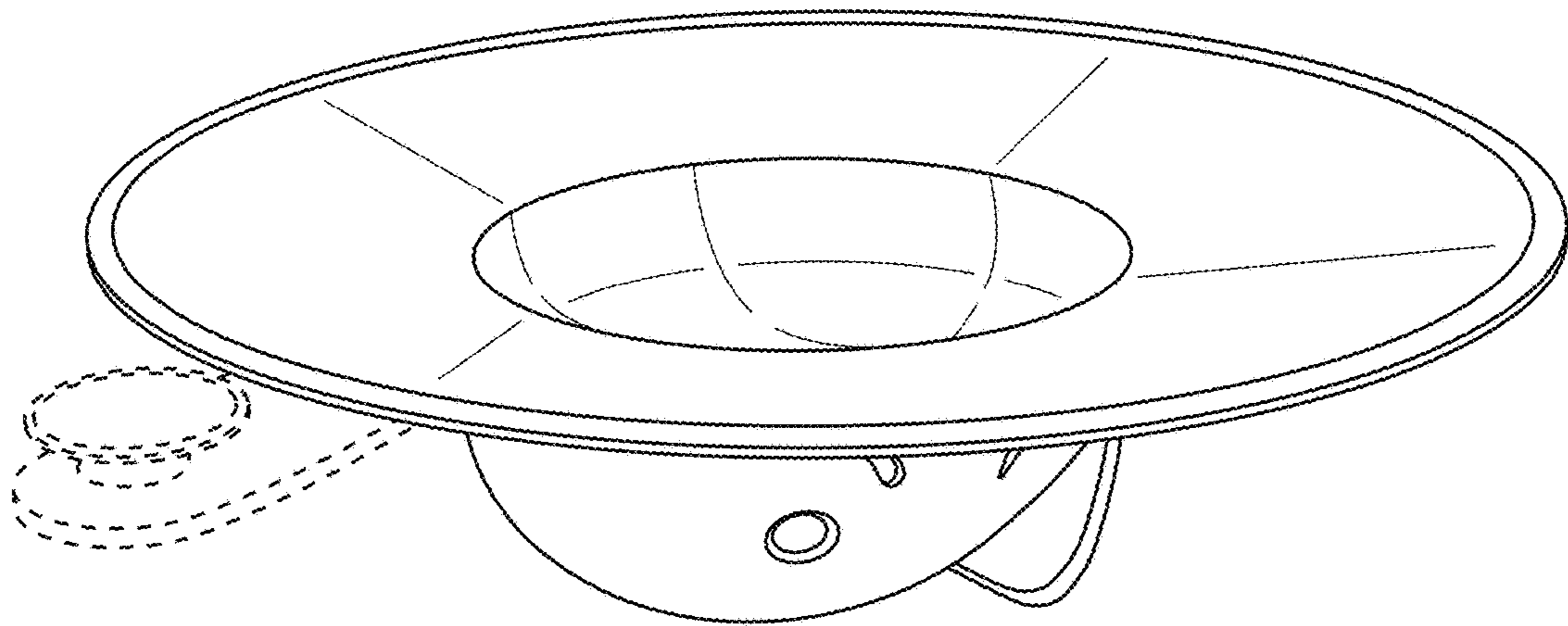


FIG. 7