



US00D845446S

(12) **United States Design Patent** (10) **Patent No.:** **US D845,446 S**  
**Seybel et al.** (45) **Date of Patent:** **\*\* Apr. 9, 2019**

(54) **VENT** D255,528 S 6/1980 Seager  
4,517,262 A 5/1985 Beidler  
(71) Applicant: **W. L. Gore & Associates, GmbH,** 4,689,281 A 8/1987 Dandona et al.  
Putzbrunn (DE) (Continued)

(72) Inventors: **Mike Seybel, München (DE); Joono Riihimaki, München (DE); Rainer Enggruber, Gruenwald (DE)**

**FOREIGN PATENT DOCUMENTS**

DE 102007050921 5/2009  
EM 002342063-0003 2/2014  
(Continued)

(73) Assignee: **W. L. Gore & Associates, GmbH,**  
Putzbrunn (DE)

**OTHER PUBLICATIONS**

(\*\*) Term: **15 Years**  
(21) Appl. No.: **29/550,434**  
(22) Filed: **Jan. 4, 2016**

Gore Automotive Vents by Gore. dated 2018. found online [Feb. 28, 2018] [https://www.gore.com/resources/gore-automotive-vents-snap-fit-series-avs-14-67-70-200.\\*](https://www.gore.com/resources/gore-automotive-vents-snap-fit-series-avs-14-67-70-200.*)

(Continued)

*Primary Examiner* — Marissa J Cash  
(74) *Attorney, Agent, or Firm* — Greenberg Traurig, LLP

**Related U.S. Application Data**

(63) Continuation of application No. 29/472,067, filed on Nov. 8, 2013, now Pat. No. Des. 748,472.

(57) **CLAIM**

What is claimed is a design of a vent, as shown and described.

(51) **LOC (11) Cl.** ..... **23-01**  
(52) **U.S. Cl.**

**DESCRIPTION**

USPC ..... **D23/260; D9/434**  
(58) **Field of Classification Search**  
USPC ..... D7/396.2, 507, 509, 510, 511;  
D9/434-455, 524, 682, 685, 694;  
D6/542-545; D23/260; D13/118  
CPC ..... B01D 2252/103; B01L 2200/0684; B01L  
2200/0689  
See application file for complete search history.

FIG. 1 is a three-quarter top isometric view of a vent of the design of the present invention;  
FIG. 2 is a front side view of the vent design of FIG. 1;  
FIG. 3 is back side view of the vent design of FIG. 1;  
FIG. 4 is a right side view of the vent design of FIG. 1;  
FIG. 5 is a left side view of the vent design of FIG. 1;  
FIG. 6 is a bottom view of the vent design of FIG. 1;  
FIG. 7 is a top plan view of the vent design of FIG. 1; and,  
FIG. 8 is a three-quarter bottom isometric view of the vent design of FIG. 1.

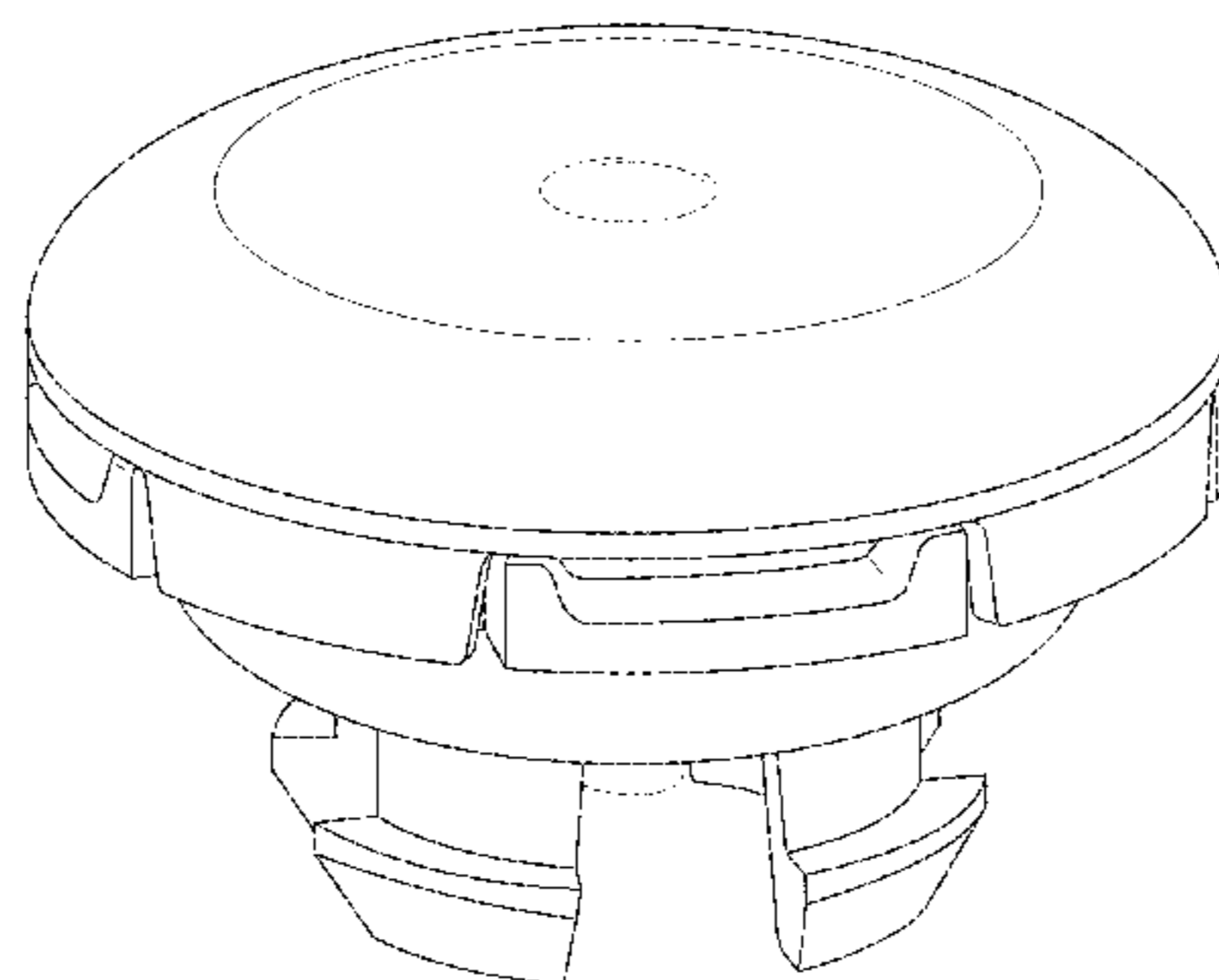
(56) **References Cited**

**U.S. PATENT DOCUMENTS**

1,093,735 A 4/1914 Shapiro  
D57,052 S 2/1921 Ingram  
D210,826 S 4/1968 Kaiser et al.  
D224,668 S 8/1972 Burger et al.  
D244,356 S 5/1977 Pardo

The broken lines on the top surface of the vent are directed to environment and are for illustrative purposes only; While all other broken lines depict portions of the vent that form no part of the claim. The broken lines form no part of the claimed design.

**1 Claim, 8 Drawing Sheets**



(56)

References Cited

U.S. PATENT DOCUMENTS

D292,674 S 11/1987 Morris et al.  
D339,027 S 9/1993 Mack et al.  
D363,768 S \* 10/1995 Morgan ..... D23/260  
D368,222 S 3/1996 Hoefler  
D405,506 S 2/1999 Lord  
D443,040 S 5/2001 Fabian et al.  
D484,637 S 12/2003 Yang  
D507,078 S 7/2005 Greenfield  
D527,428 S 8/2006 Cooper  
D528,192 S \* 9/2006 Nicholson ..... D23/260  
D536,614 S 2/2007 Peterson et al.  
D549,518 S 8/2007 Goodman et al.  
D553,717 S \* 10/2007 Nicholson ..... D23/260  
D563,785 S 3/2008 Maki et al.  
D564,877 S 3/2008 Hood et al.  
D570,966 S \* 6/2008 Gilligan ..... D23/260  
D583,670 S \* 12/2008 Lamb ..... D9/454  
D597,840 S 8/2009 Biesecker et al.  
D608,638 S 1/2010 Pontes  
D625,262 S \* 10/2010 Lee ..... D13/118  
D630,897 S 1/2011 Jarvis et al.  
D633,644 S 3/2011 Sprengers  
D642,057 S 7/2011 Reed et al.  
D642,864 S 8/2011 Tobias  
D642,921 S 8/2011 Endert  
D647,360 S 10/2011 Smyers  
D660,093 S 5/2012 Kyung  
D672,447 S 12/2012 Yano et al.  
D672,857 S 12/2012 Yano et al.  
D675,922 S 2/2013 MacNeill et al.  
D677,117 S 3/2013 Smyers et al.  
D678,769 S 3/2013 Kawamura  
D679,861 S 4/2013 Choi  
D682,107 S 5/2013 Ramsey et al.  
D686,513 S 7/2013 Henriksson  
8,528,757 B2 \* 9/2013 Bisio ..... B65D 41/3404  
215/252  
D694,463 S 11/2013 Sieczkowski  
D713,247 S \* 9/2014 Webster ..... D9/438  
D717,650 S \* 11/2014 Tamarindo ..... D9/454  
D726,869 S 4/2015 Lepine et al.  
D735,033 S 7/2015 Lynd et al.  
D735,038 S \* 7/2015 Tamarindo ..... D9/454  
D743,785 S 11/2015 Raphaelson et al.  
D746,683 S 1/2016 Fahl  
D748,227 S \* 1/2016 von Lepel ..... D23/260  
D748,472 S \* 2/2016 Seybel ..... D9/434  
D749,197 S \* 2/2016 von Lepel ..... D23/260  
D749,198 S \* 2/2016 von Lepel ..... D23/260  
D749,199 S \* 2/2016 von Lepel ..... D23/260  
D751,397 S \* 3/2016 Kim ..... D9/452  
D751,399 S 3/2016 Lynd et al.  
D756,222 S \* 5/2016 Lopez ..... D23/260

D763,083 S \* 8/2016 Seybel ..... D9/454  
D773,296 S 12/2016 Lynd et al.  
D782,103 S 3/2017 Shields et al.  
D782,727 S 3/2017 Weiss et al.  
D789,201 S 6/2017 Yu  
D790,966 S 7/2017 Roberts et al.  
9,694,946 B2 7/2017 Kapolas et al.  
D793,236 S \* 8/2017 Santos ..... D9/454  
D795,058 S 8/2017 Buck  
D795,063 S \* 8/2017 Arriaga ..... D9/436  
D799,895 S \* 10/2017 Westrick ..... D7/398  
D799,963 S 10/2017 Akiyama  
D801,176 S \* 10/2017 Lynd ..... D9/454  
D801,809 S \* 11/2017 Mould ..... D9/434  
D823,115 S \* 7/2018 Walker ..... D9/447  
D823,688 S \* 7/2018 Diehl ..... D9/502  
D829,065 S \* 9/2018 Marantis ..... D7/700  
D830,170 S \* 10/2018 Holmes ..... D9/443  
D830,767 S \* 10/2018 Gordon ..... D7/392.1  
2007/0090110 A1 4/2007 Skelton et al.  
2010/0068431 A1 3/2010 Bansal et al.  
2010/0227543 A1 9/2010 Furuyama  
2011/0275305 A1 11/2011 Egersdoerfer et al.  
2013/0217315 A1 8/2013 Wiand et al.  
2014/0141292 A1 5/2014 Lee et al.  
2014/0256242 A1 9/2014 Bertler et al.  
2015/0027976 A1 1/2015 de St. Jeor  
2016/0368670 A1 12/2016 Beardsall

FOREIGN PATENT DOCUMENTS

EM 002342063-0007 2/2014  
EP 0 377 067 A1 7/1990  
EP 1544361 A1 6/2005  
EP 1 939 523 A1 7/2008  
EP 1 964 658 A1 9/2008  
EP 1 270 207 B1 3/2010  
EP 1 955 901 B1 5/2010  
EP 2 236 918 A2 10/2010  
EP 1 363 069 B1 2/2011  
EP 2 292 473 A1 3/2011  
EP 2 441 625 A1 4/2012  
EP 2478810 A2 7/2012  
KR 300804005.000 10/1999  
KR 300249633.0000 6/2015  
WO WO-2011/114640 A1 9/2011

OTHER PUBLICATIONS

Sink Hole Cover: Announced Aug. 31, 2013, [http://www.azpartsmaster.com/Products/Kitchen-Sink-Hole-Cover-Snap-In\\_6860.aspx](http://www.azpartsmaster.com/Products/Kitchen-Sink-Hole-Cover-Snap-In_6860.aspx).  
Sink Hole Cover: Announced Mar. 8, 2015, <http://www.homedepot.com/p/DANCO-1-1-2>.

\* cited by examiner

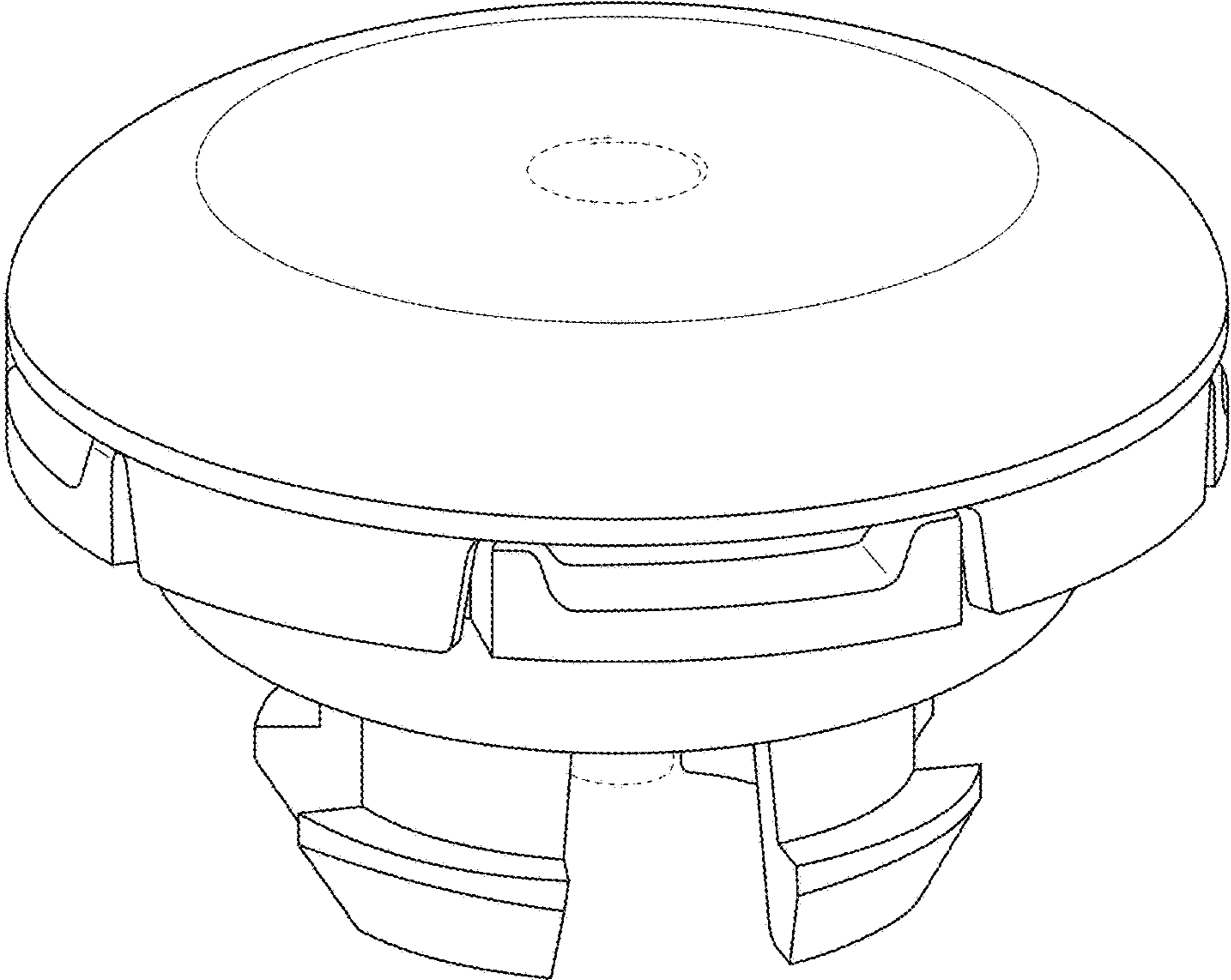


Fig. 1

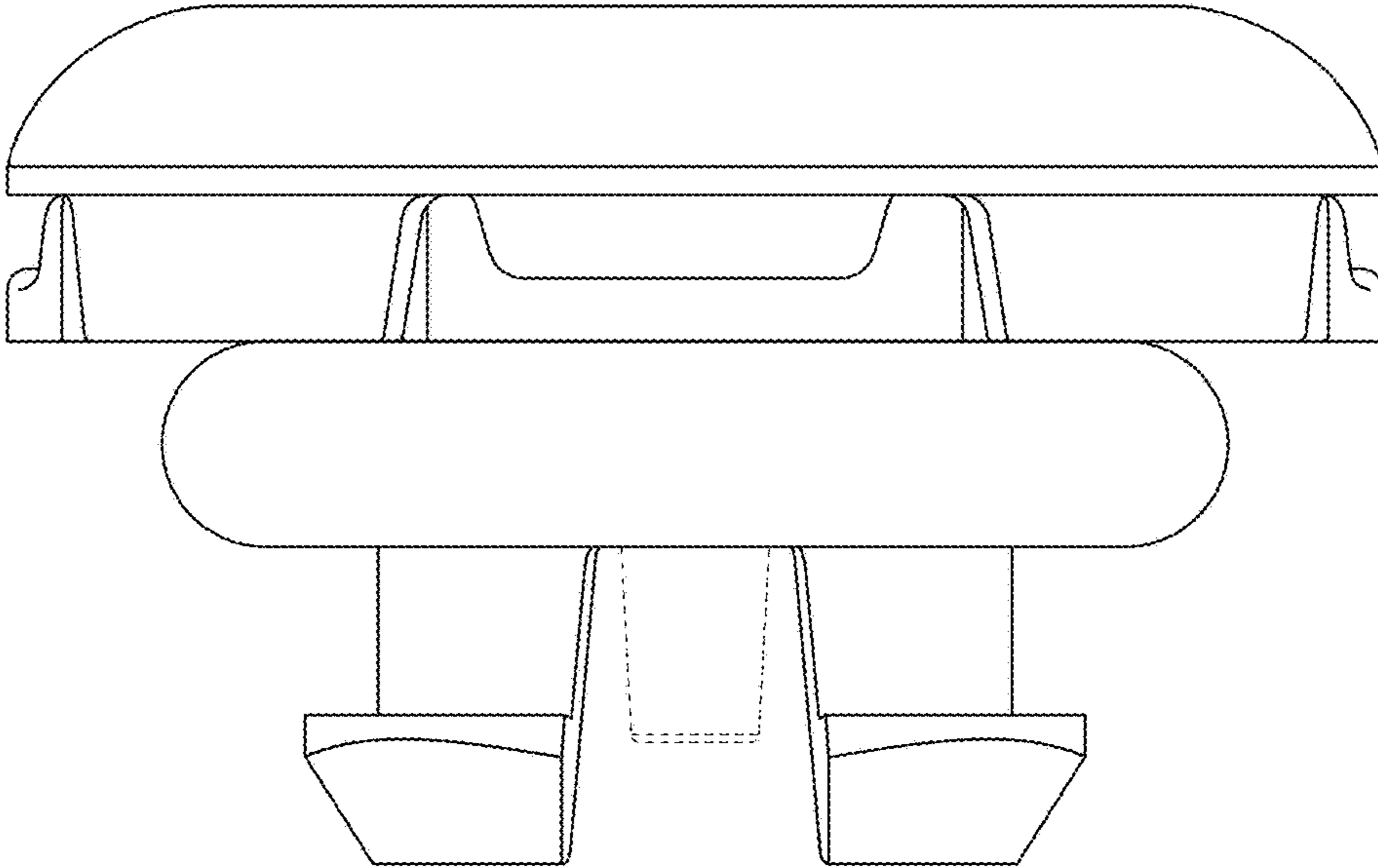


Fig. 2



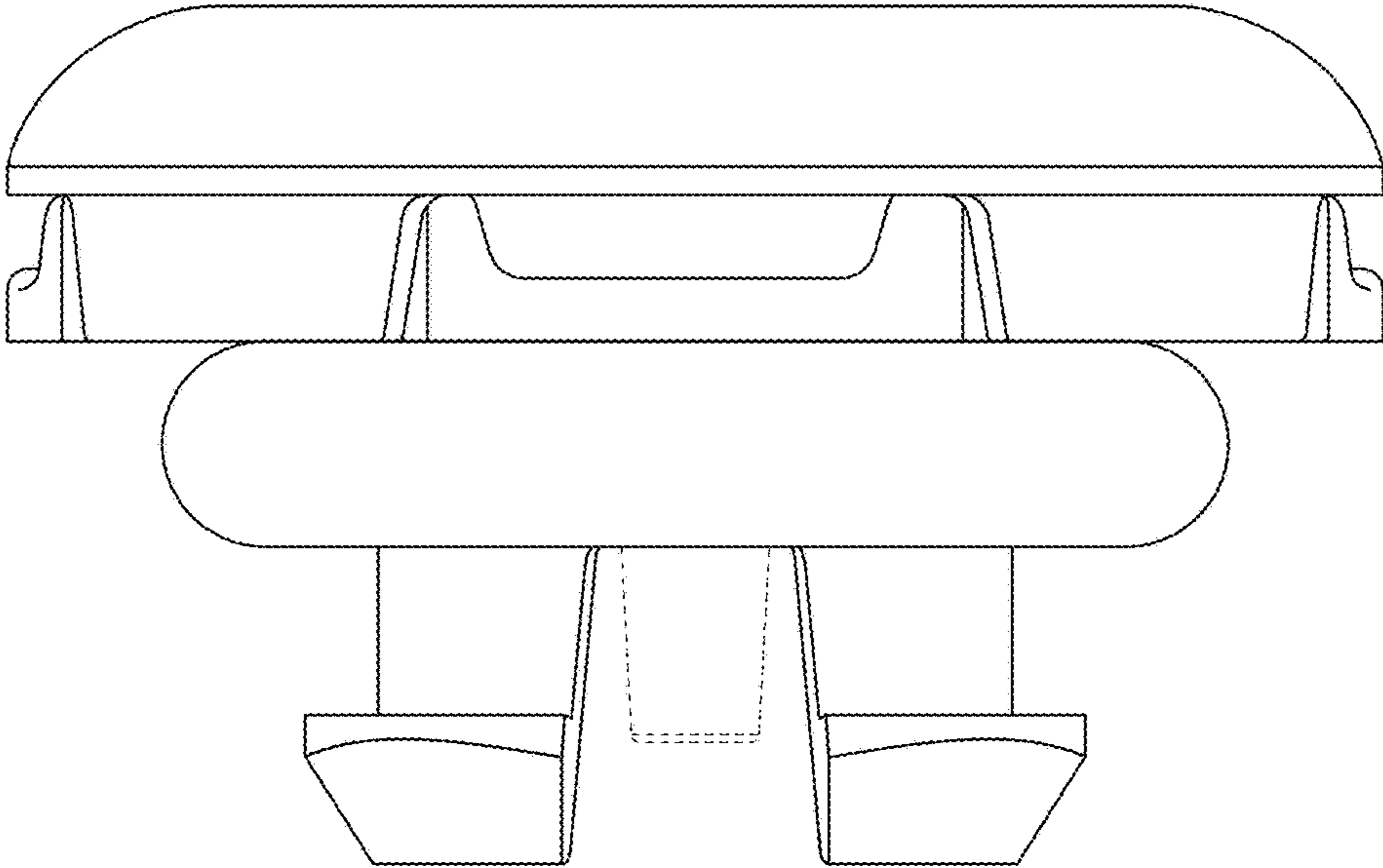


Fig. 3

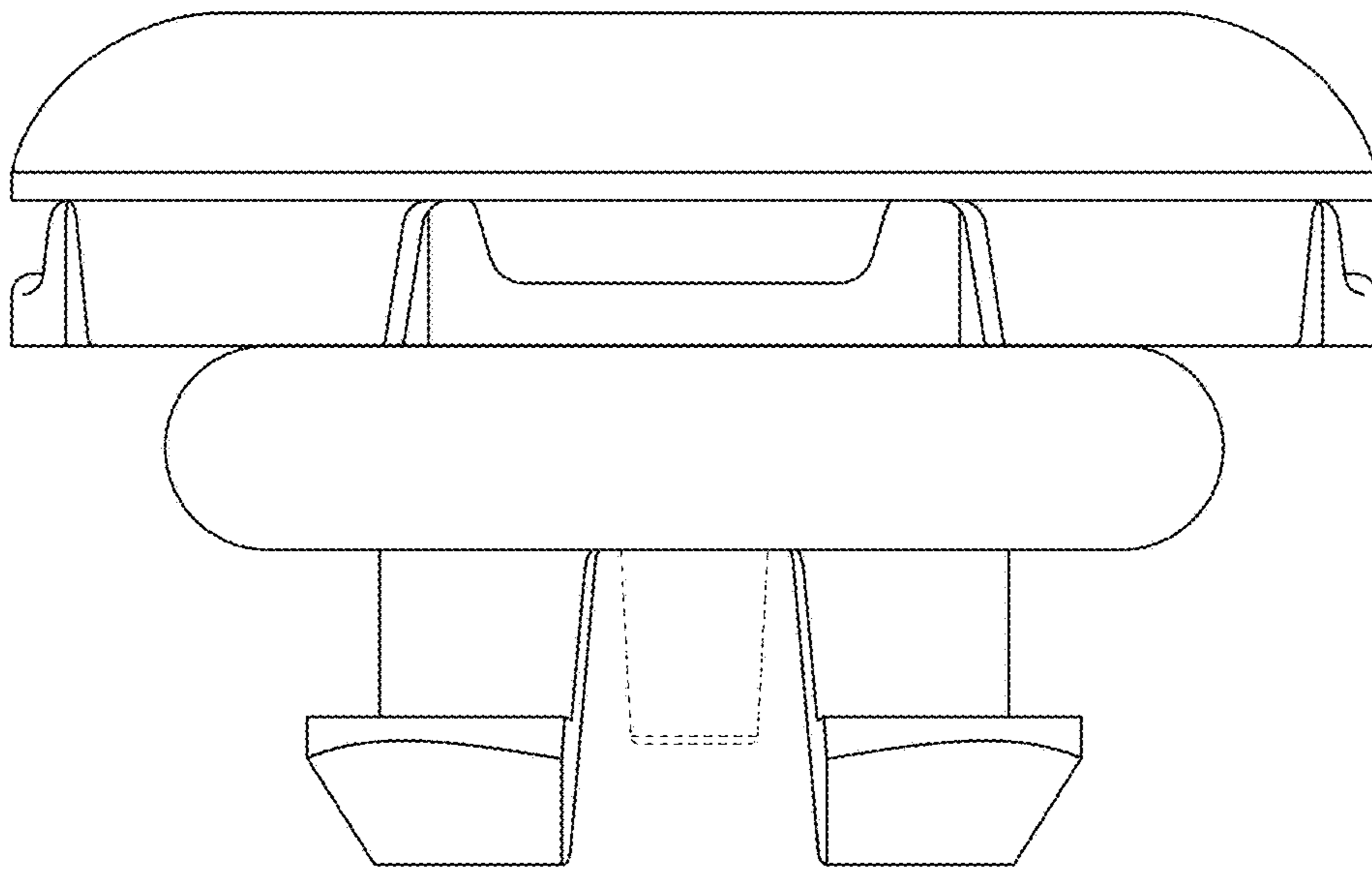


Fig. 4

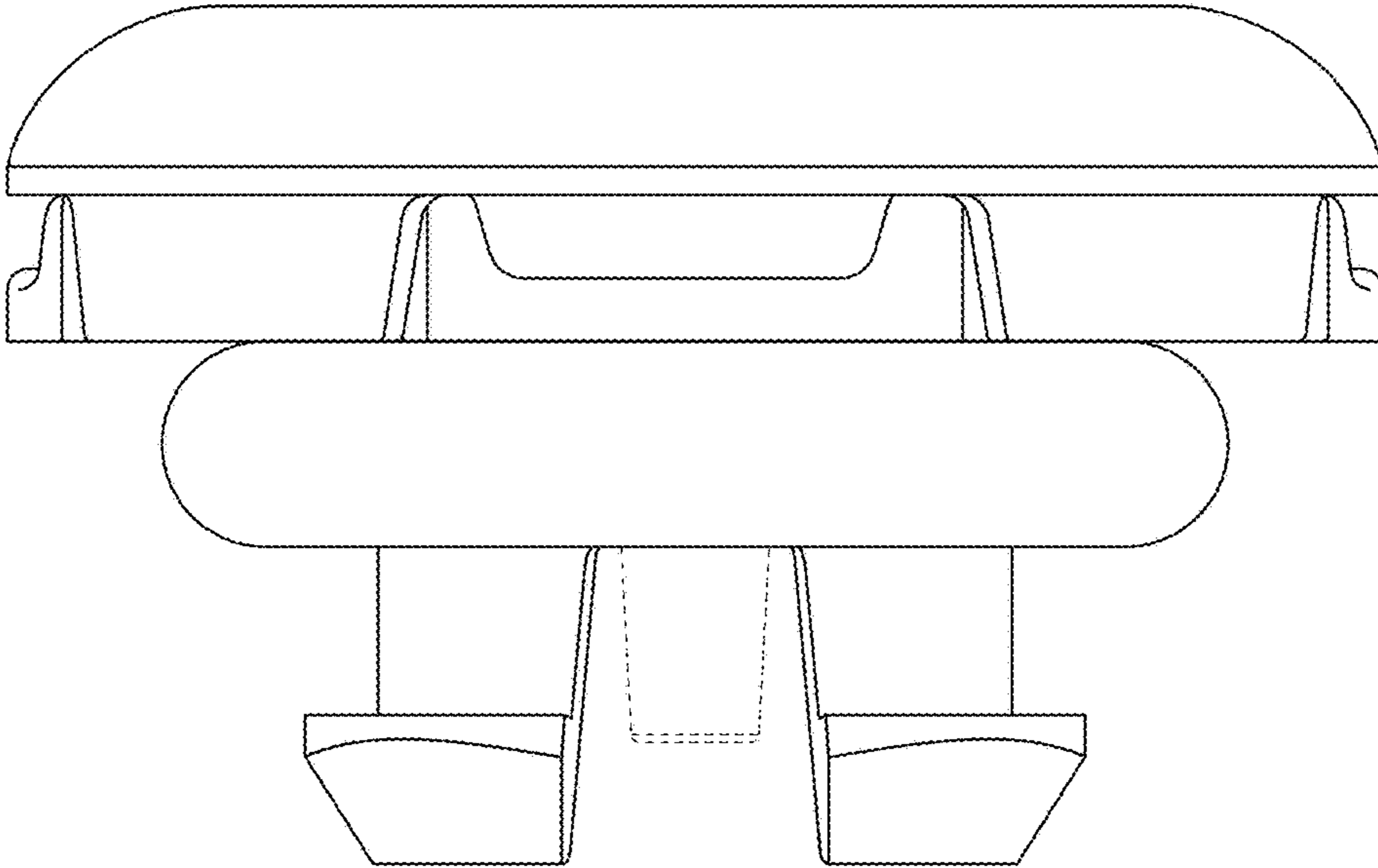


Fig. 5

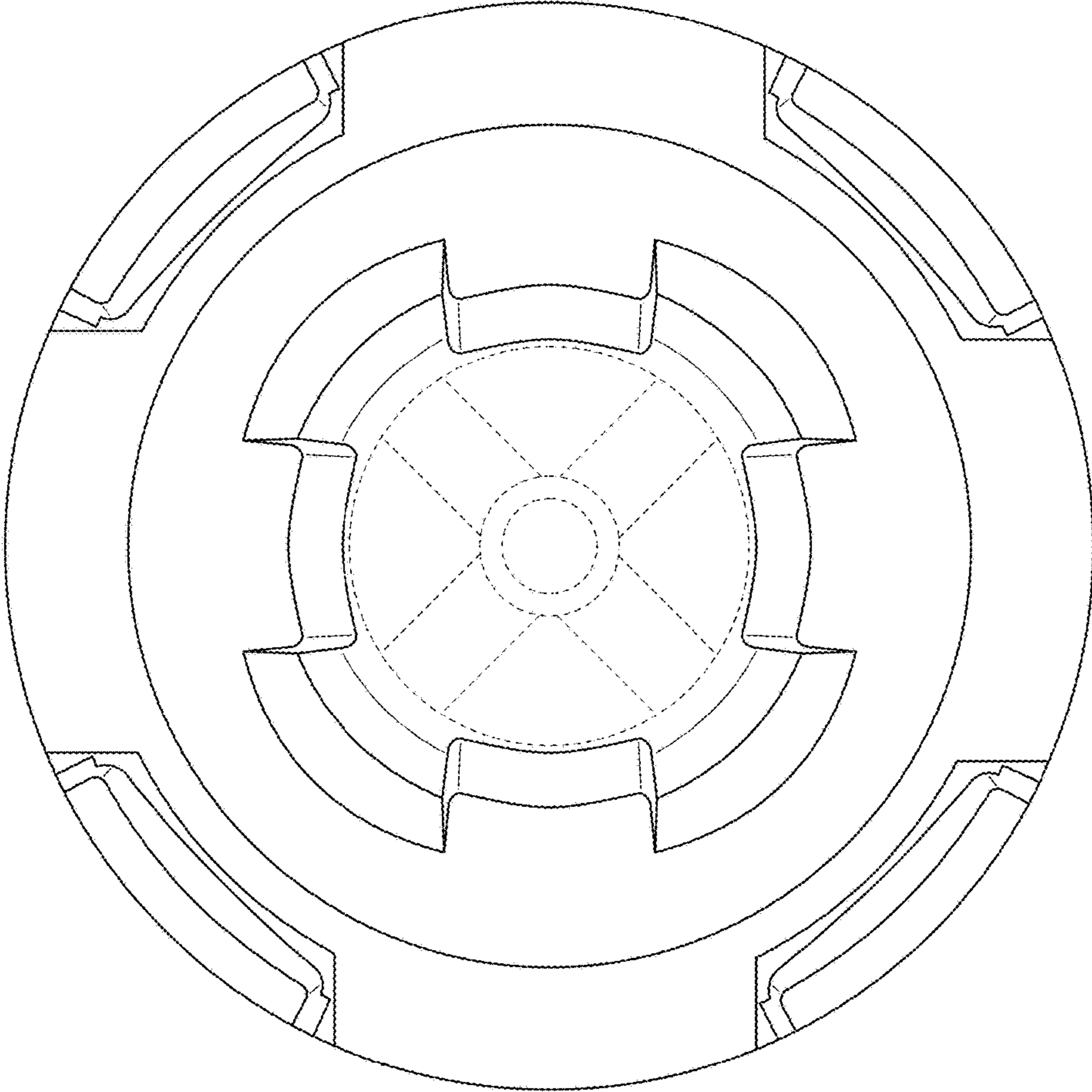


Fig. 6



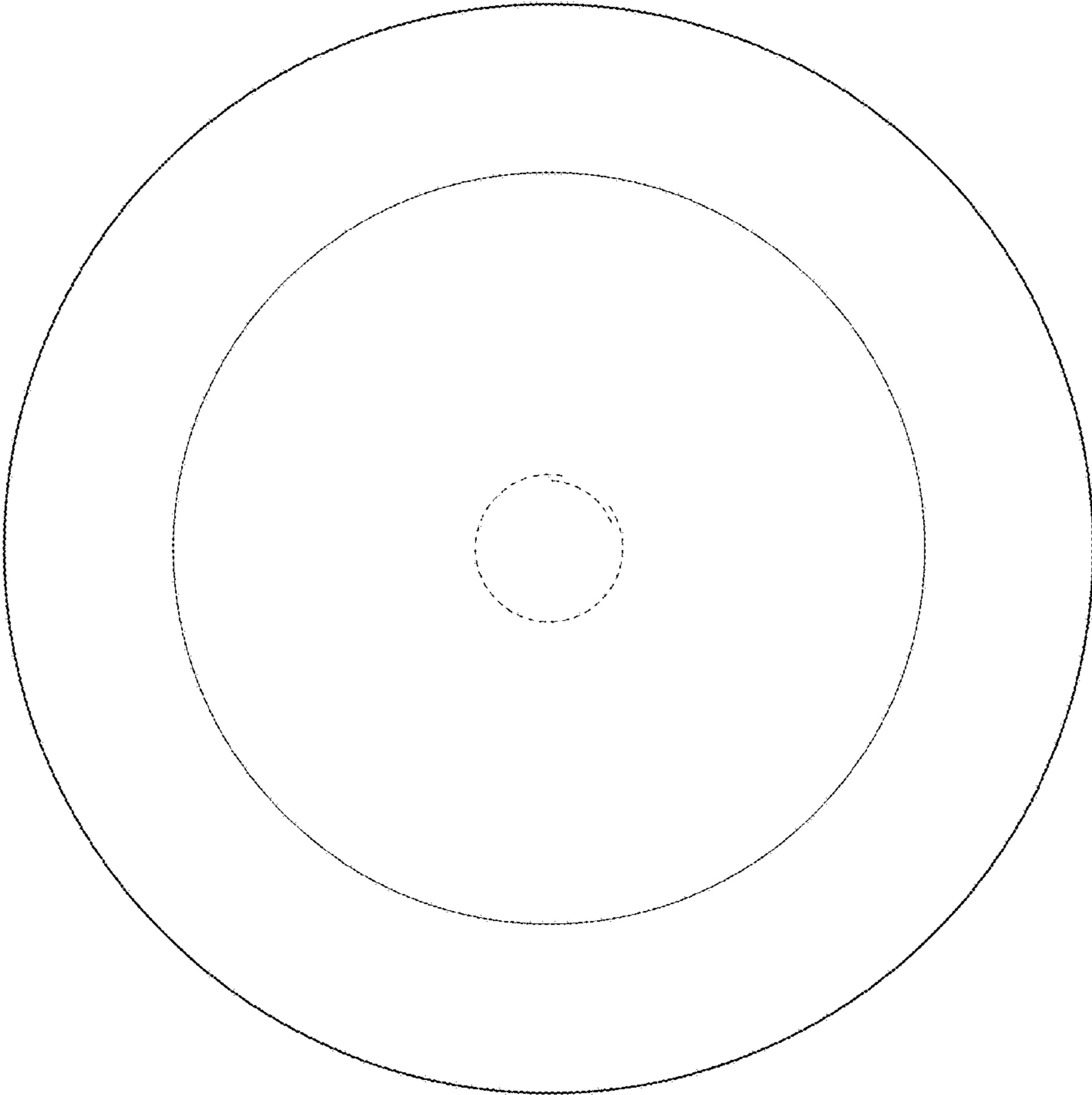


Fig. 7

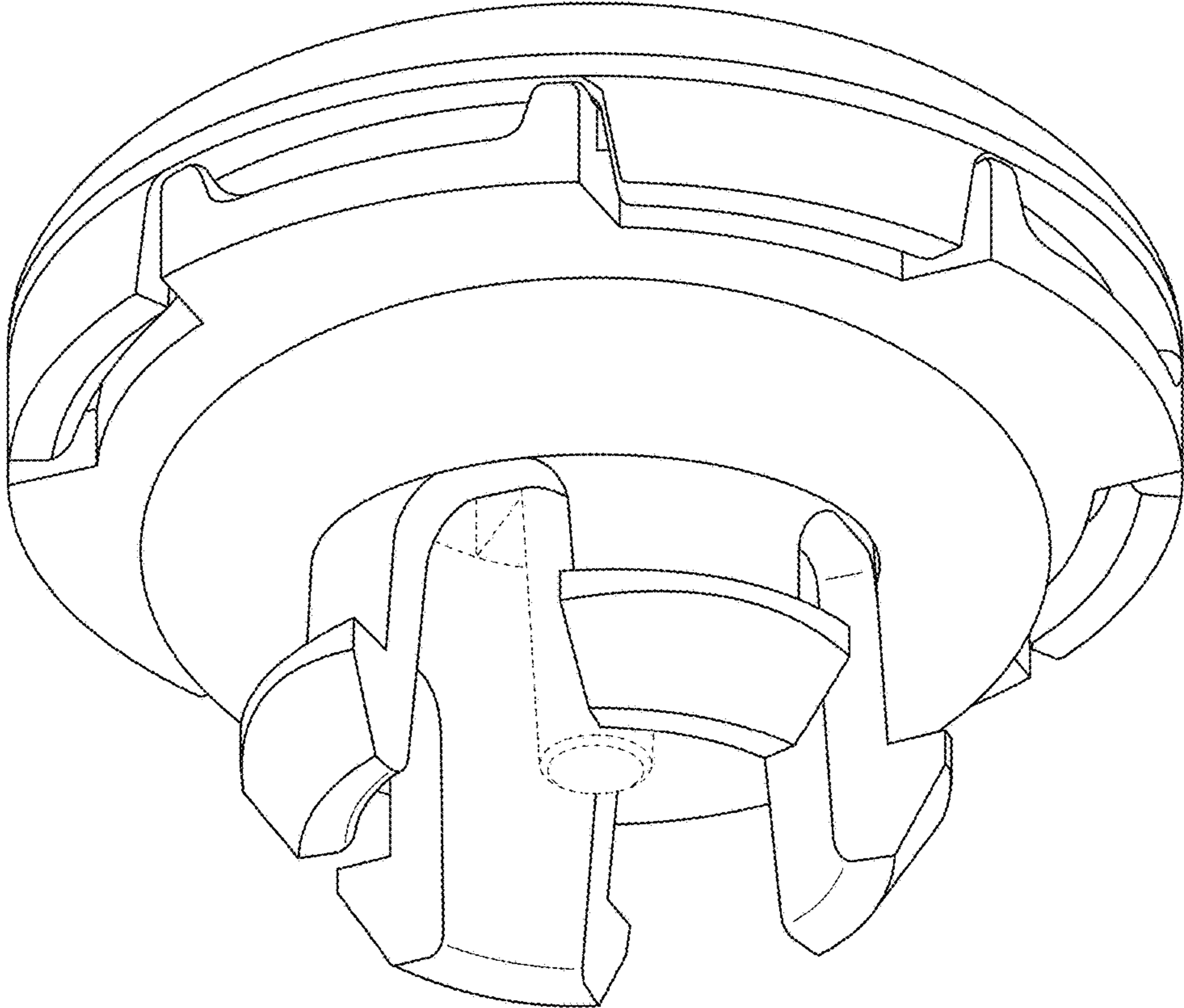


Fig. 8