



US00D845442S

(12) **United States Design Patent**  
**Eads et al.**

(10) **Patent No.:** **US D845,442 S**

(45) **Date of Patent:** **\*\* Apr. 9, 2019**

(54) **FAUCET SPOUT**

(71) Applicant: **DELTA FAUCET COMPANY,**  
Indianapolis, IN (US)

(72) Inventors: **Thad Eads,** Urbana, IN (US); **Michael Scot Rosko,** Greenwood, IN (US)

(73) Assignee: **DELTA FAUCET COMPANY,**  
Indianapolis, IN (US)

(\*\*) Term: **15 Years**

(21) Appl. No.: **29/638,017**

(22) Filed: **Feb. 23, 2018**

(51) **LOC (11) Cl.** ..... **23-01**

(52) **U.S. Cl.**  
USPC ..... **D23/255**

(58) **Field of Classification Search**  
USPC ..... D23/238–243, 249, 255, 257  
CPC ..... Y10T 137/9464  
See application file for complete search history.

(56) **References Cited**

**U.S. PATENT DOCUMENTS**

D193,885 S \* 10/1962 Mansfield ..... D23/238  
D318,907 S \* 8/1991 Kohler, Jr. .... D23/257

D368,956 S \* 4/1996 Haug ..... D23/238  
D631,947 S \* 2/2011 Obara ..... D23/255  
D636,063 S \* 4/2011 Shieh ..... D23/242  
D796,009 S \* 8/2017 Sieger ..... D23/255  
D800,273 S \* 10/2017 Andrew ..... D23/255  
D810,890 S \* 2/2018 Takayama ..... D23/255

\* cited by examiner

*Primary Examiner* — Robert A Delehanty

(74) *Attorney, Agent, or Firm* — Edgar A. Zarins; Nirav D. Parikh

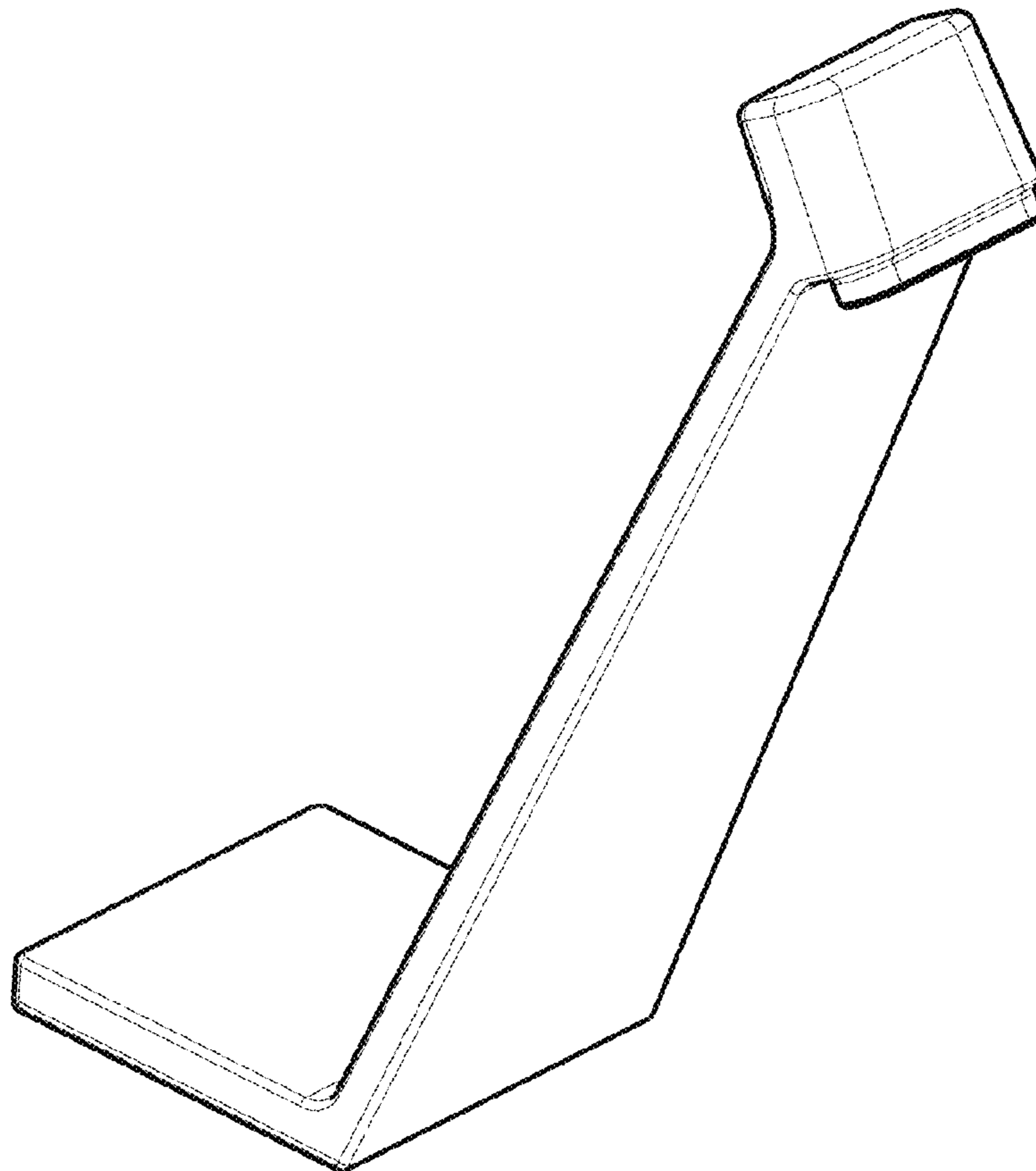
(57) **CLAIM**

The ornamental design for a faucet spout, as shown and described.

**DESCRIPTION**

FIG. 1 is a front perspective view of a faucet spout showing our new design;  
FIG. 2 is a rear perspective view thereof;  
FIG. 3 is a front elevational view thereof;  
FIG. 4 is a left side view thereof;  
FIG. 5 is a rear view thereof;  
FIG. 6 is a right side view thereof;  
FIG. 7 is a top plan view thereof; and,  
FIG. 8 is a bottom view thereof.

**1 Claim, 4 Drawing Sheets**



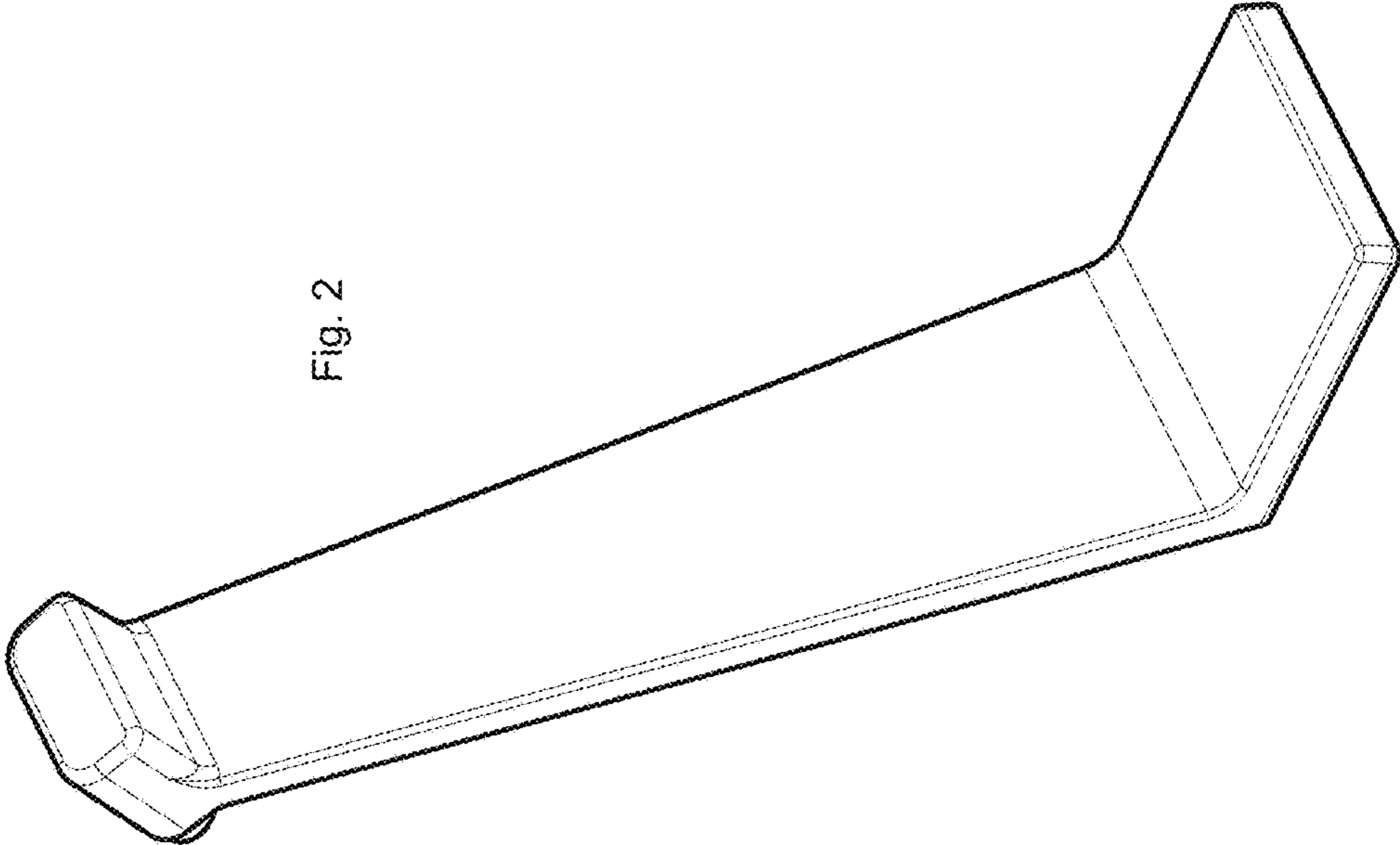


Fig. 2

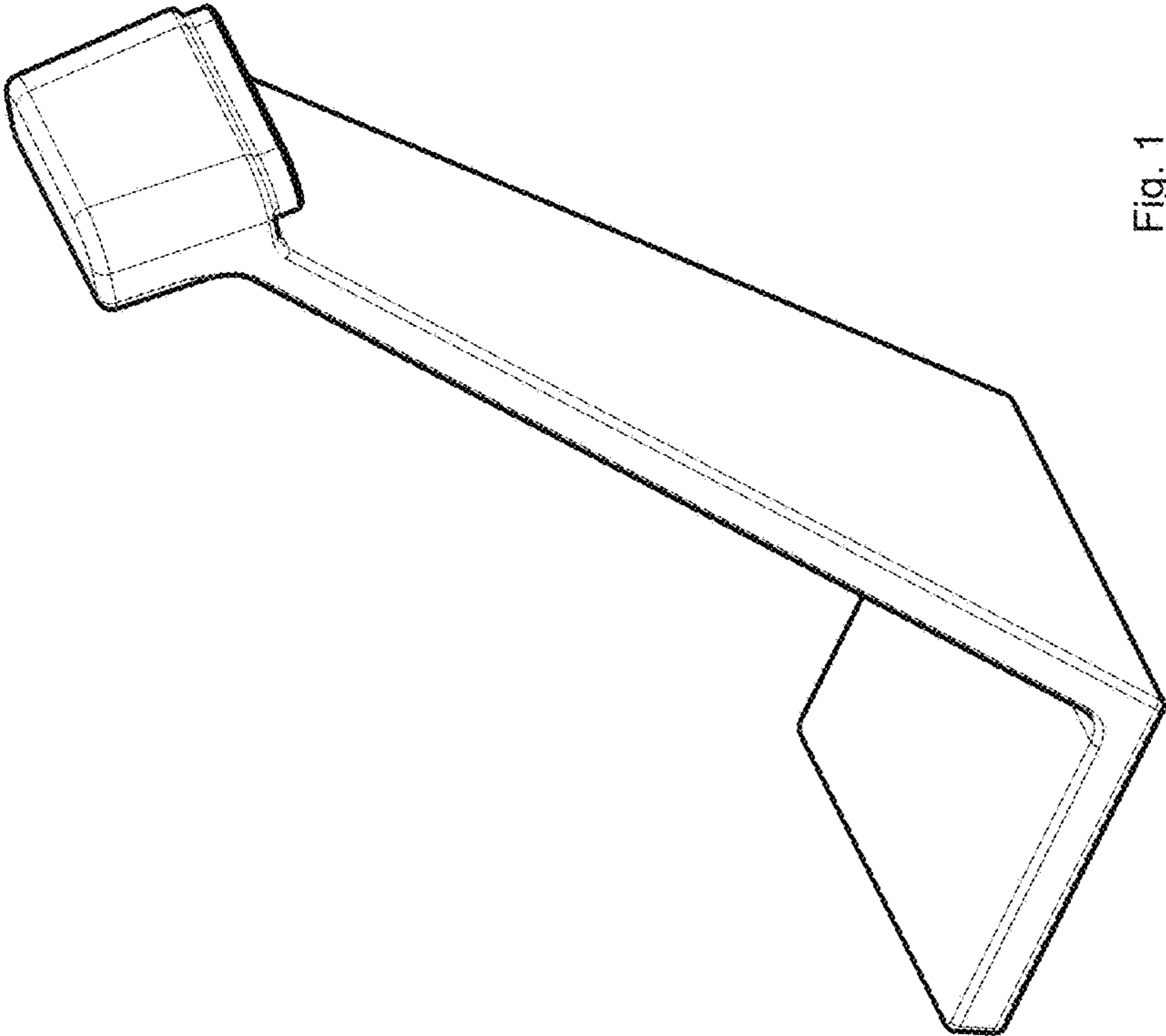


Fig. 1

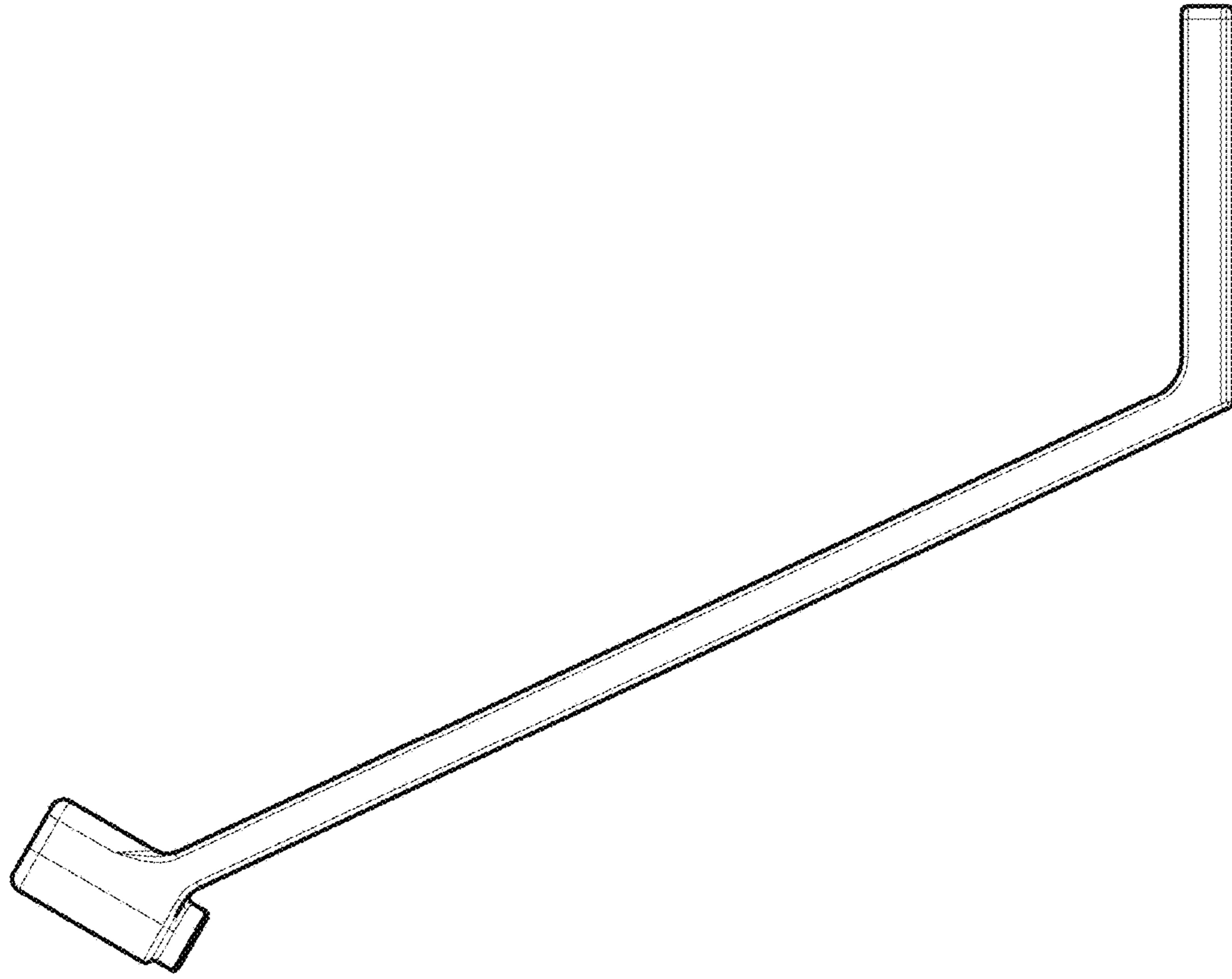


Fig. 4

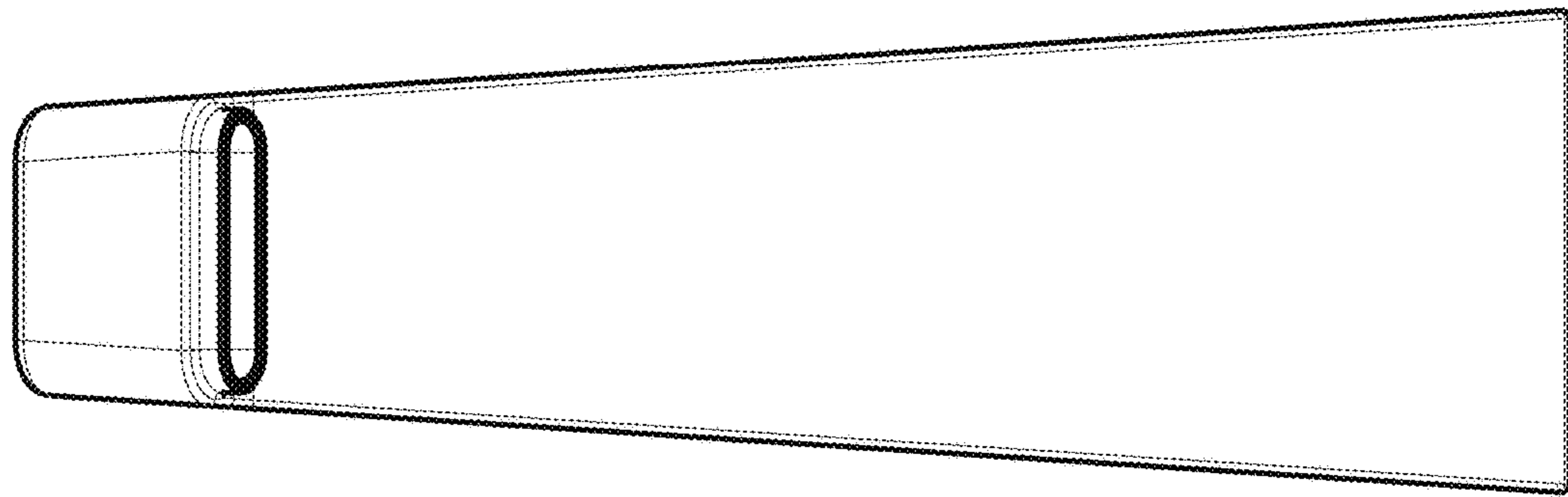


Fig. 3

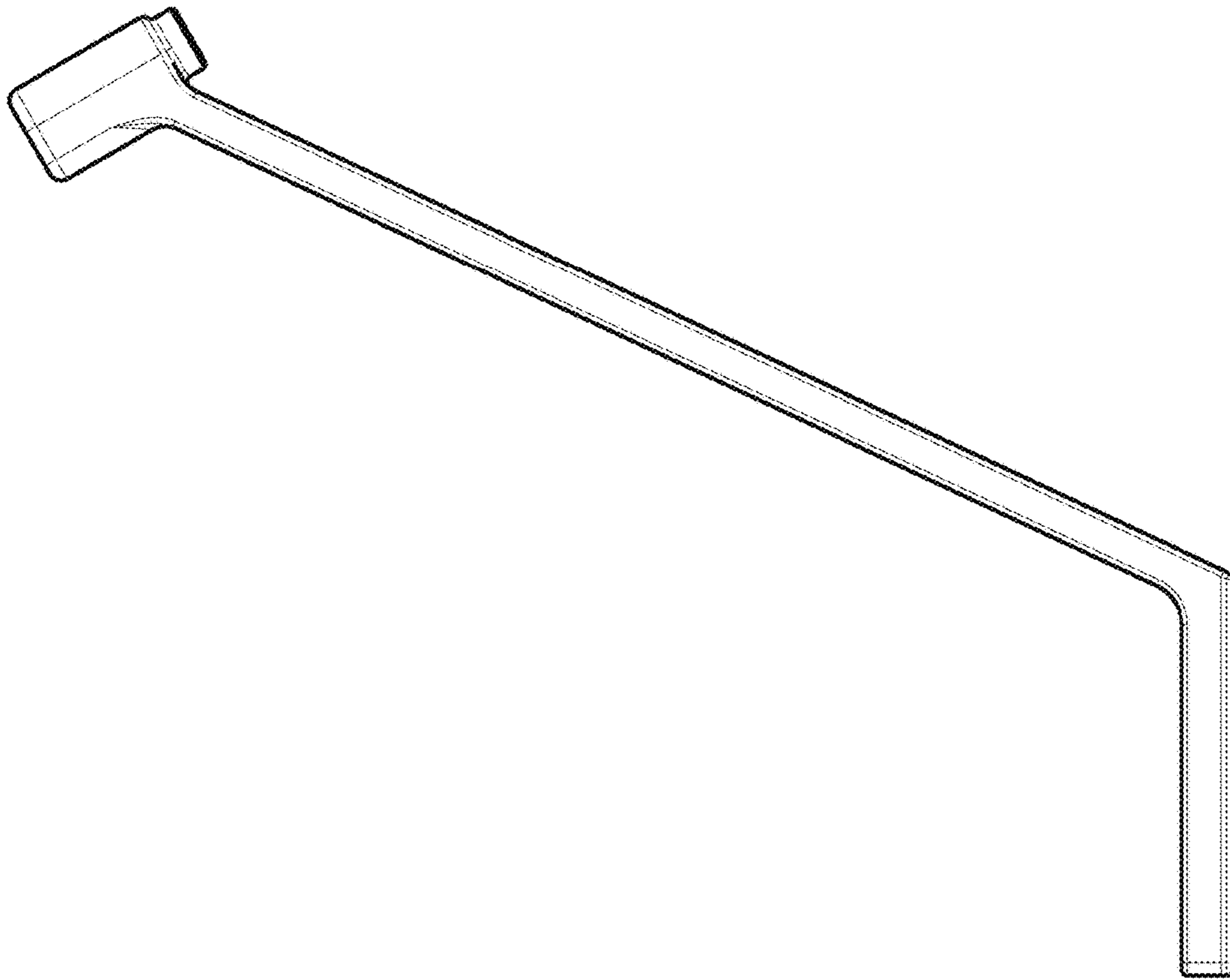


Fig. 6

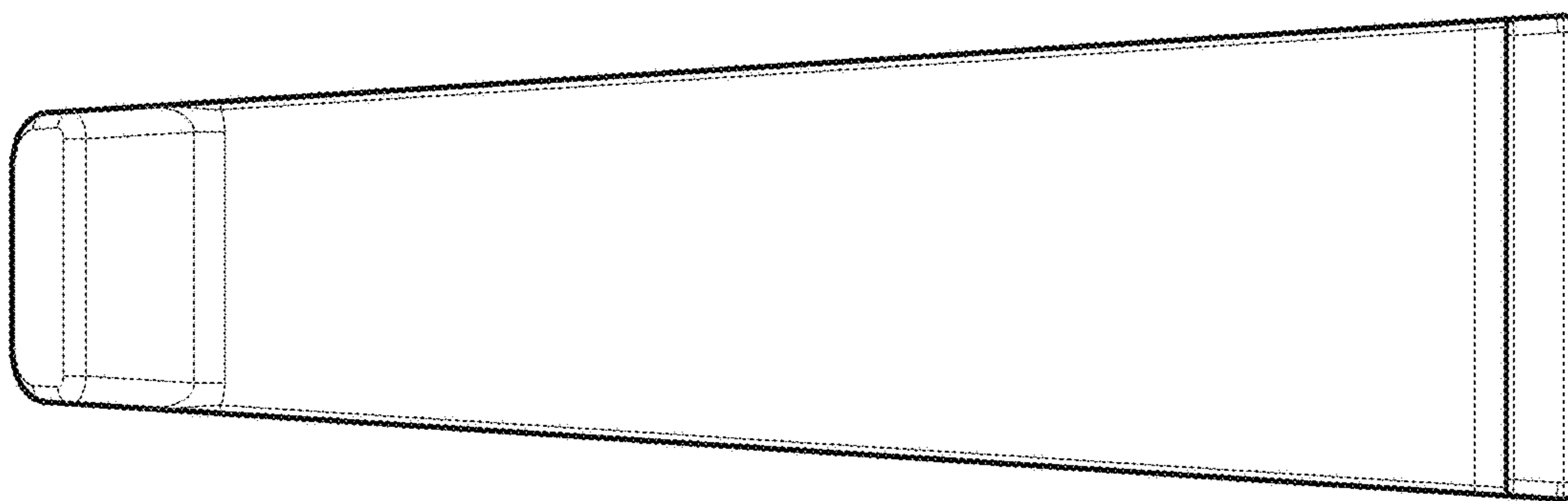


Fig. 5

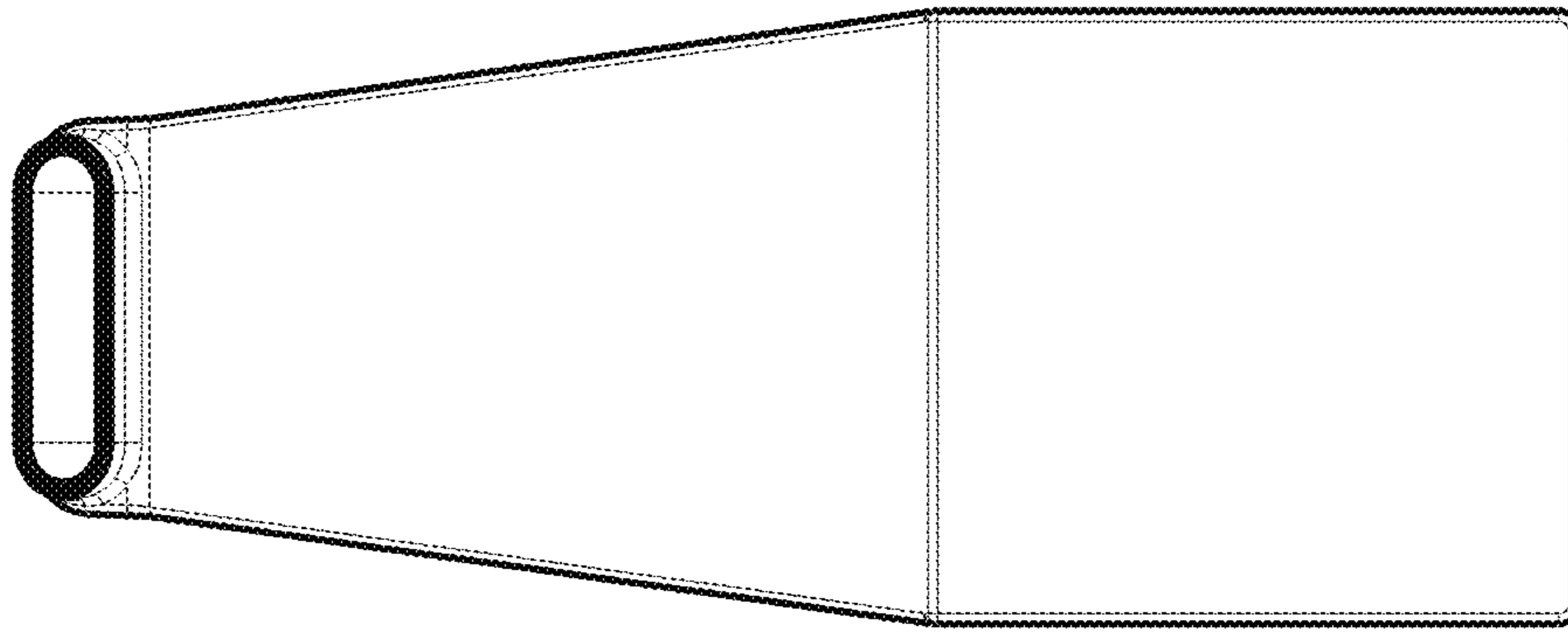


Fig. 8

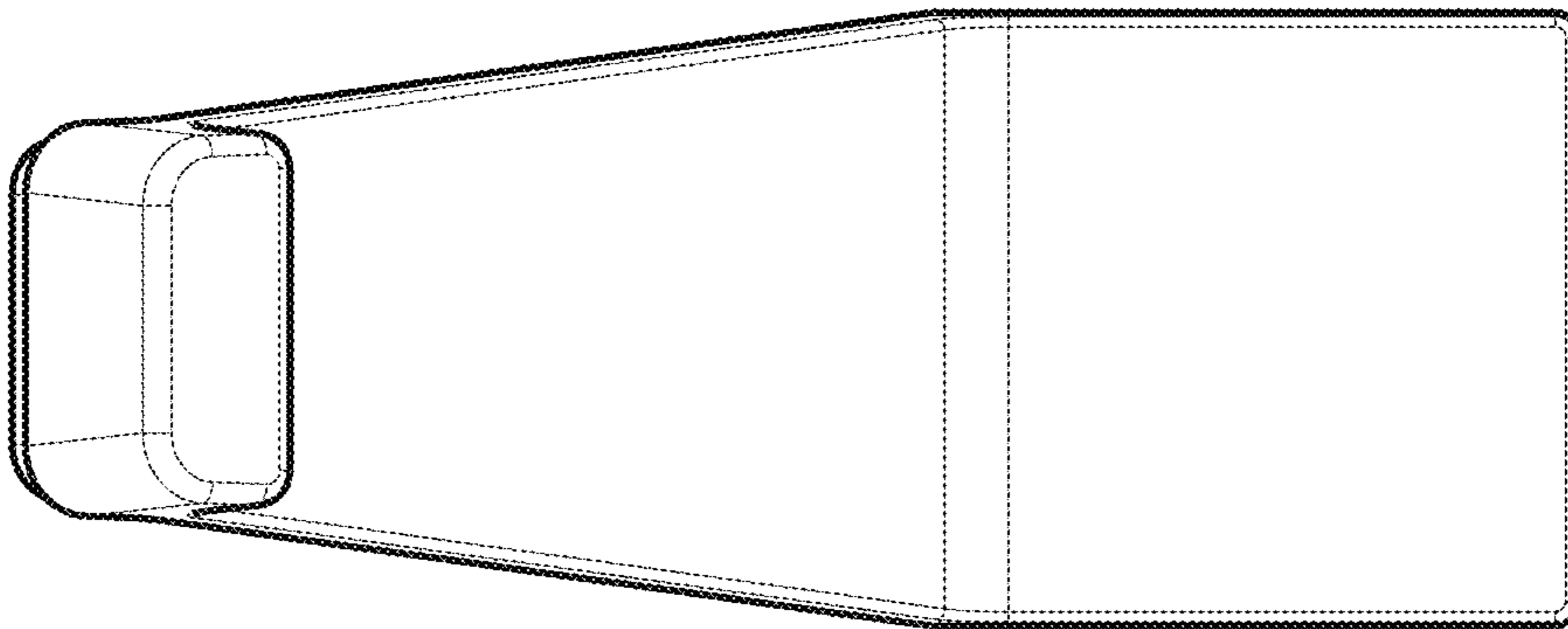


Fig. 7