

US00D845441S

(12) **United States Design Patent**
Bertrem et al.

(10) **Patent No.:** **US D845,441 S**

(45) **Date of Patent:** **** Apr. 9, 2019**

(54) **DIRECTIONAL CONTROL VALVE LOCKING DEVICE**

(71) Applicants: **Jeffrey Allen Bertrem**, Tulsa, OK (US); **Kyle Wayne Rarick**, Broken Arrow, OK (US)

(72) Inventors: **Jeffrey Allen Bertrem**, Tulsa, OK (US); **Kyle Wayne Rarick**, Broken Arrow, OK (US)

(**) Term: **15 Years**

(21) Appl. No.: **29/617,160**

(22) Filed: **Sep. 12, 2017**

Related U.S. Application Data

(63) Continuation of application No. 15/478,163, filed on Apr. 3, 2017.

(51) **LOC (11) Cl.** **23-01**

(52) **U.S. Cl.**
USPC **D23/249**

(58) **Field of Classification Search**
USPC D23/233–250, 252; D8/349, 354, 380, D8/382, 394, 385; 251/288, 90, 99, 109, 251/105, 305; D12/180, 162
CPC F16K 35/10; F16K 35/06; F16K 35/00; F16K 35/025; F16K 31/60
See application file for complete search history.

(56) **References Cited**

U.S. PATENT DOCUMENTS

3,858,843 A * 1/1975 Hartmann F16K 35/00
251/99
3,976,095 A * 8/1976 Koch F16K 35/06
137/385
4,140,297 A * 2/1979 Bussell F16K 35/00
251/208

D296,886 S * 7/1988 Young, Jr. D12/162
6,959,909 B2 * 11/2005 Bancroft F16K 31/602
137/385
D528,951 S * 9/2006 Oben D12/180
7,114,698 B2 * 10/2006 Espinoza F16K 35/06
251/93
7,117,884 B2 * 10/2006 Shuter F16K 35/022
137/385
7,404,543 B2 * 7/2008 Weston F16K 47/023
251/286
8,061,683 B2 * 11/2011 Long F16K 35/025
251/101
D799,937 S * 10/2017 Karol D8/354
D813,648 S * 3/2018 Karol D8/354
2005/0092367 A1 * 5/2005 Espinoza F16K 35/06
137/383

* cited by examiner

Primary Examiner — Cynthia Ramirez

Assistant Examiner — Gino Colan

(74) *Attorney, Agent, or Firm* — AJ D. Martinez; Latham, Wagner, Steele & Lehman, P.C.

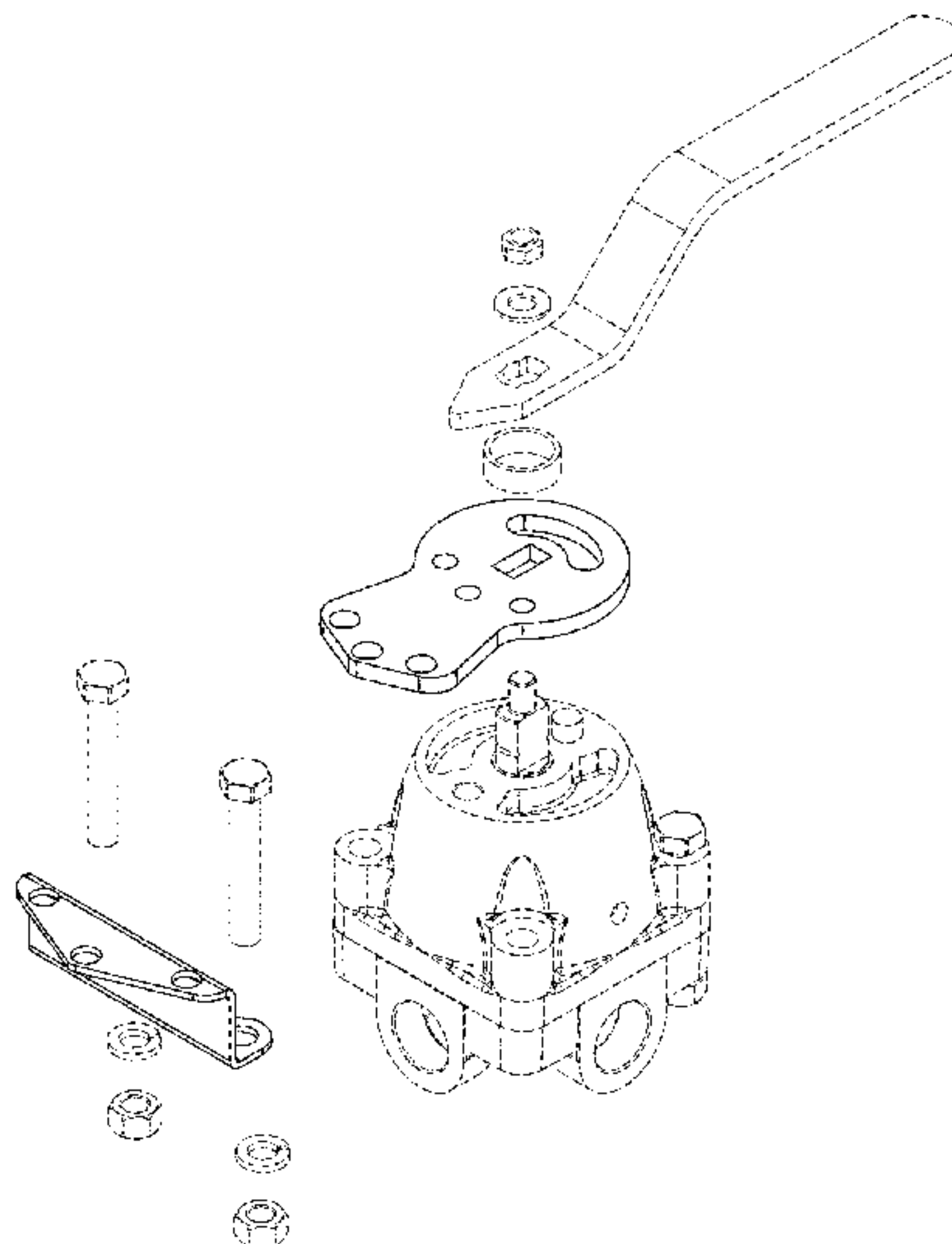
(57) **CLAIM**

The ornamental design for a directional control valve locking device, as shown and described.

DESCRIPTION

FIG. 1 is an exploded isometric view of a directional control valve locking device showing our new design; FIG. 2 is an isometric view thereof; and, FIG. 3 is another isometric view thereof. The broken lines shown in the figures are for the purpose of illustrating environment and form no part of the claimed design. The features of the directional control valve locking device as shown and described in the drawings.

1 Claim, 3 Drawing Sheets



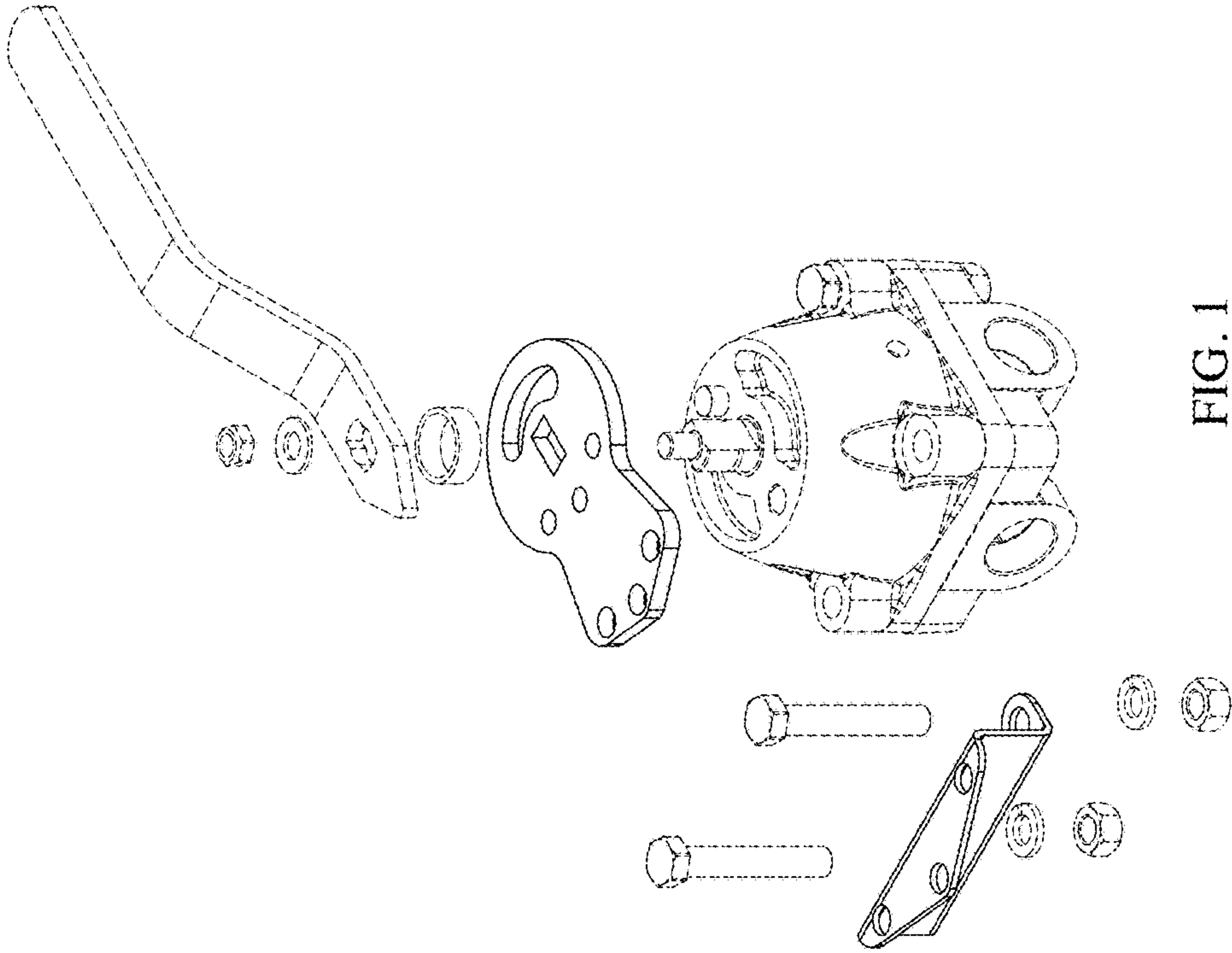


FIG. 1

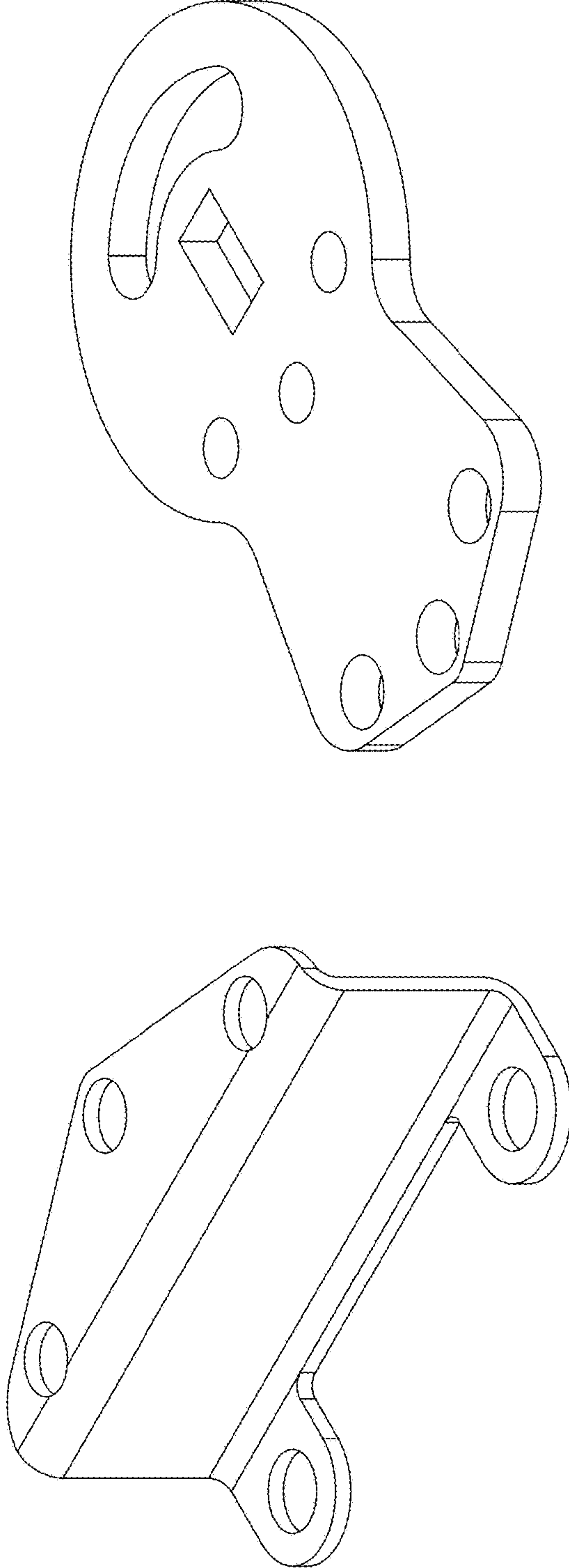


FIG. 2

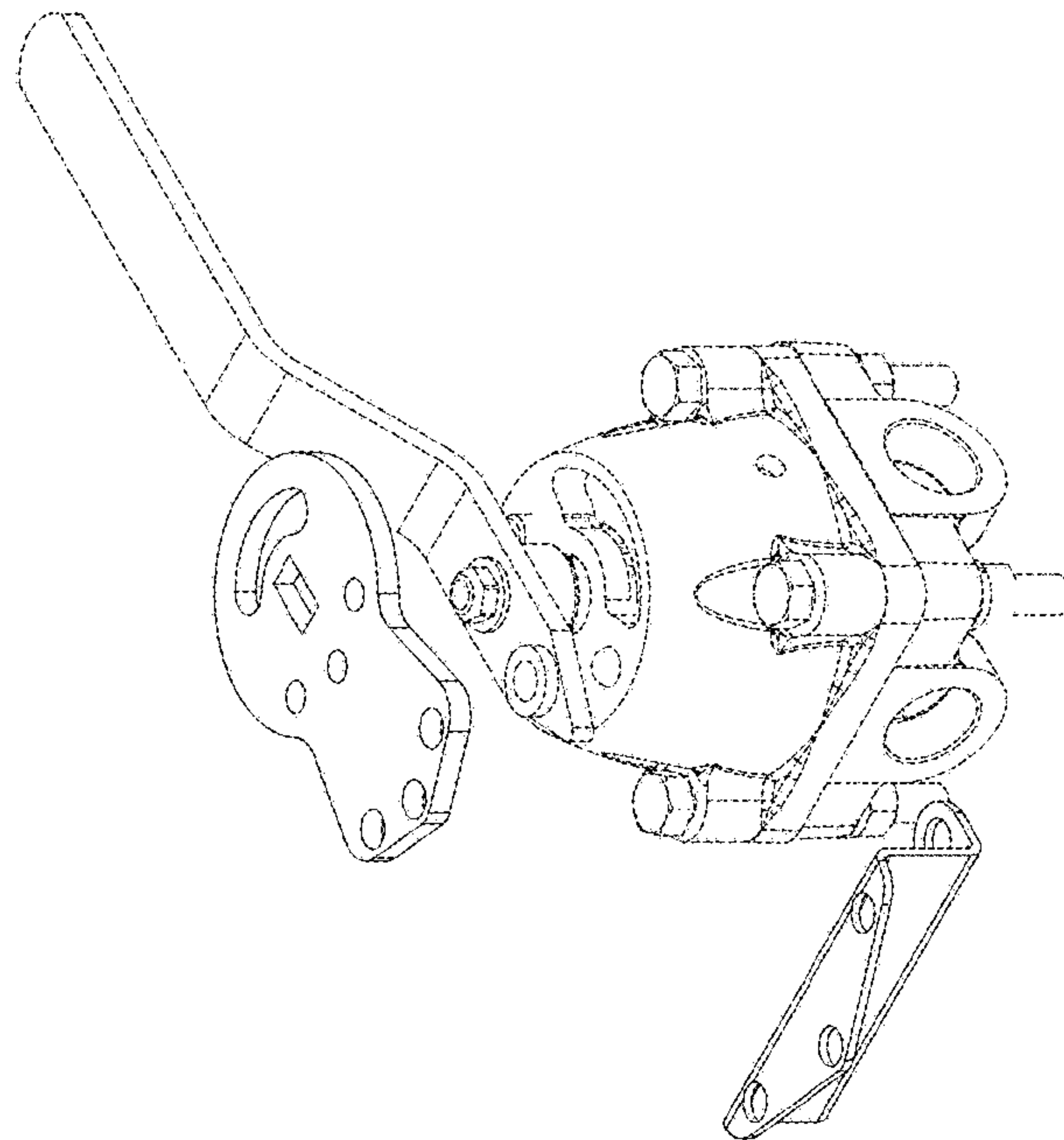


FIG. 3