



US00D845436S

(12) **United States Design Patent** (10) **Patent No.:** **US D845,436 S**
Baumgartner et al. (45) **Date of Patent:** **** Apr. 9, 2019**

(54) **BACKPACK SPRAYER**
(71) Applicant: **SOLO Kleinmotoren GmbH**,
Sindelfingen (DE)
(72) Inventors: **Klaus Baumgartner**, Sindelfingen
(DE); **Paolo Corcagnani**, Esslingen
(DE)
(73) Assignee: **SOLO Kleinmotoren GmbH**,
Sindelfingen (DE)

D685,057 S * 6/2013 Wirz Luchsinger D23/202
8,616,466 B2 * 12/2013 Strauss A01M 7/0046
222/175
D720,429 S * 12/2014 Tinius D23/225
D721,161 S * 1/2015 Yam D23/225
D749,192 S * 2/2016 Fontaine D23/225
D749,698 S * 2/2016 Pereira Dos Reis D23/225
D755,926 S * 5/2016 Wirz Luchsinger D23/202
D760,350 S * 6/2016 Wirz Luchsinger
D809,626 S * 2/2018 Bonaventura D23/225
D815,713 S * 4/2018 Ip D23/202

* cited by examiner

(**) Term: **15 Years**

Primary Examiner — Robin V Webster

(21) Appl. No.: **29/636,109**

(74) *Attorney, Agent, or Firm* — John H. Thomas, P.C.

(22) Filed: **Feb. 6, 2018**

(30) **Foreign Application Priority Data**

Aug. 21, 2017 (EM) 004156974-0001
Aug. 21, 2017 (EM) 004156974-0002
Aug. 21, 2017 (EM) 004156974-0003
Aug. 21, 2017 (EM) 004156974-0004

(57) **CLAIM**

The ornamental design for a backpack sprayer, as shown and described.

(51) **LOC (11) Cl.** **23-01**

DESCRIPTION

(52) **U.S. Cl.**
USPC **D23/225**

(58) **Field of Classification Search**
USPC D23/225; D15/13, 17; 239/302, 308,
239/323, 328
CPC .. B05B 7/24; B05B 9/08; B05B 17/00; B05B
7/1413; B05B 9/0883; B05B 7/2408;
B05B 7/241; A01M 7/0046; A01M
7/0035; A01C 15/02
See application file for complete search history.

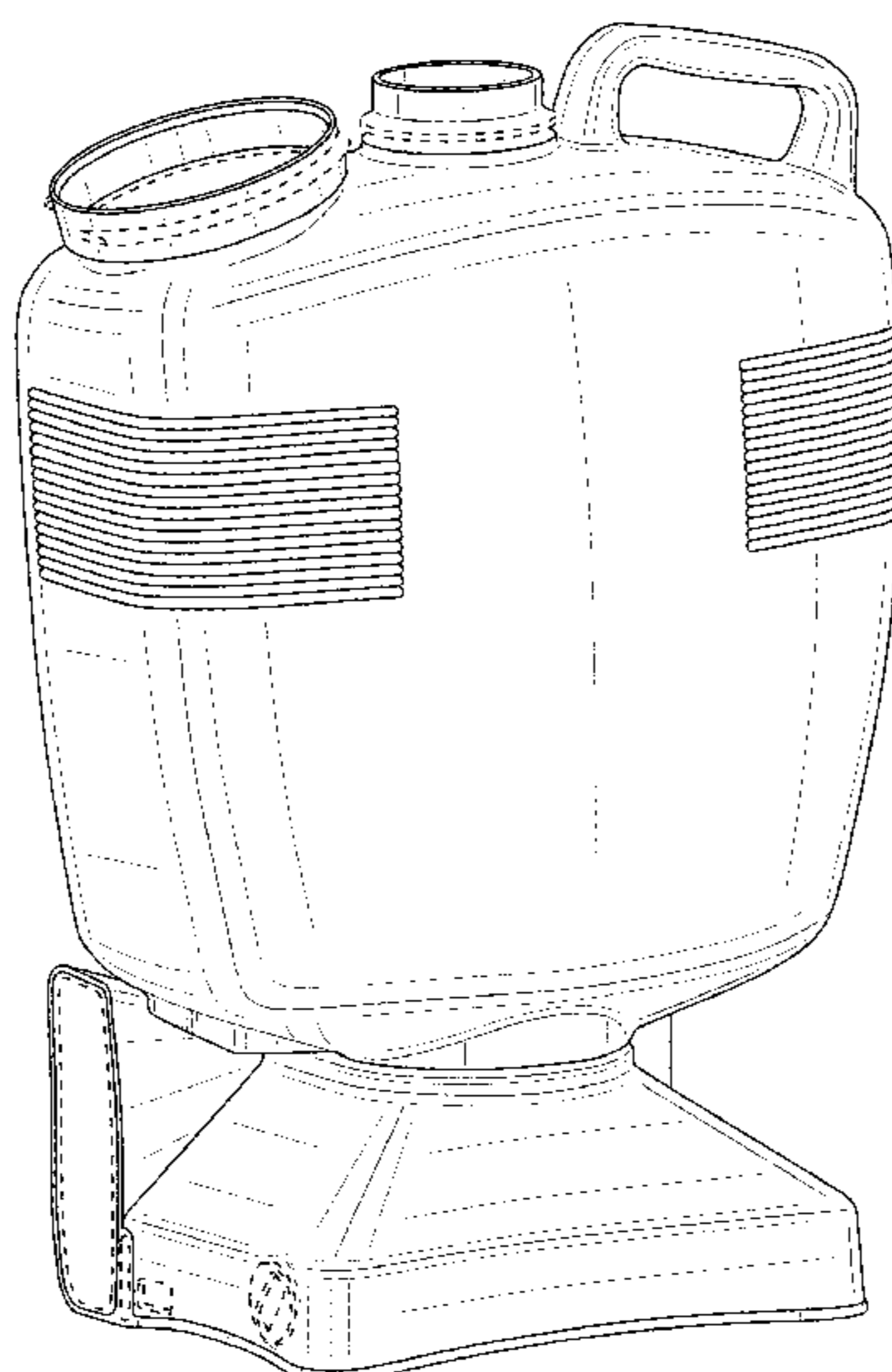
FIG. 1 is a perspective view of a the backpack sprayer including some extra part features shown in broken lines according to the design;
FIG. 2 is a perspective view of the backpack sprayer of FIG. 1 with the extra part features not shown;
FIG. 3 is a front view of the backpack sprayer of FIG. 2;
FIG. 4 is a rear view of the backpack sprayer of FIG. 2;
FIG. 5 is a right side view of the backpack sprayer of FIG. 2;
FIG. 6 is a left side view of the backpack sprayer of FIG. 2;
FIG. 7 is a top view of the backpack sprayer of FIG. 2; and,
FIG. 8 is a bottom view of the backpack sprayer of FIG. 2.
The broken lines appearing throughout the drawings illustrate components or features that do not form any part of the claimed design.

(56) **References Cited**

U.S. PATENT DOCUMENTS

4,651,903 A * 3/1987 Pagliai A01M 7/0046
222/175
D633,984 S * 3/2011 Plantz A01M 7/0046
D23/202

1 Claim, 8 Drawing Sheets



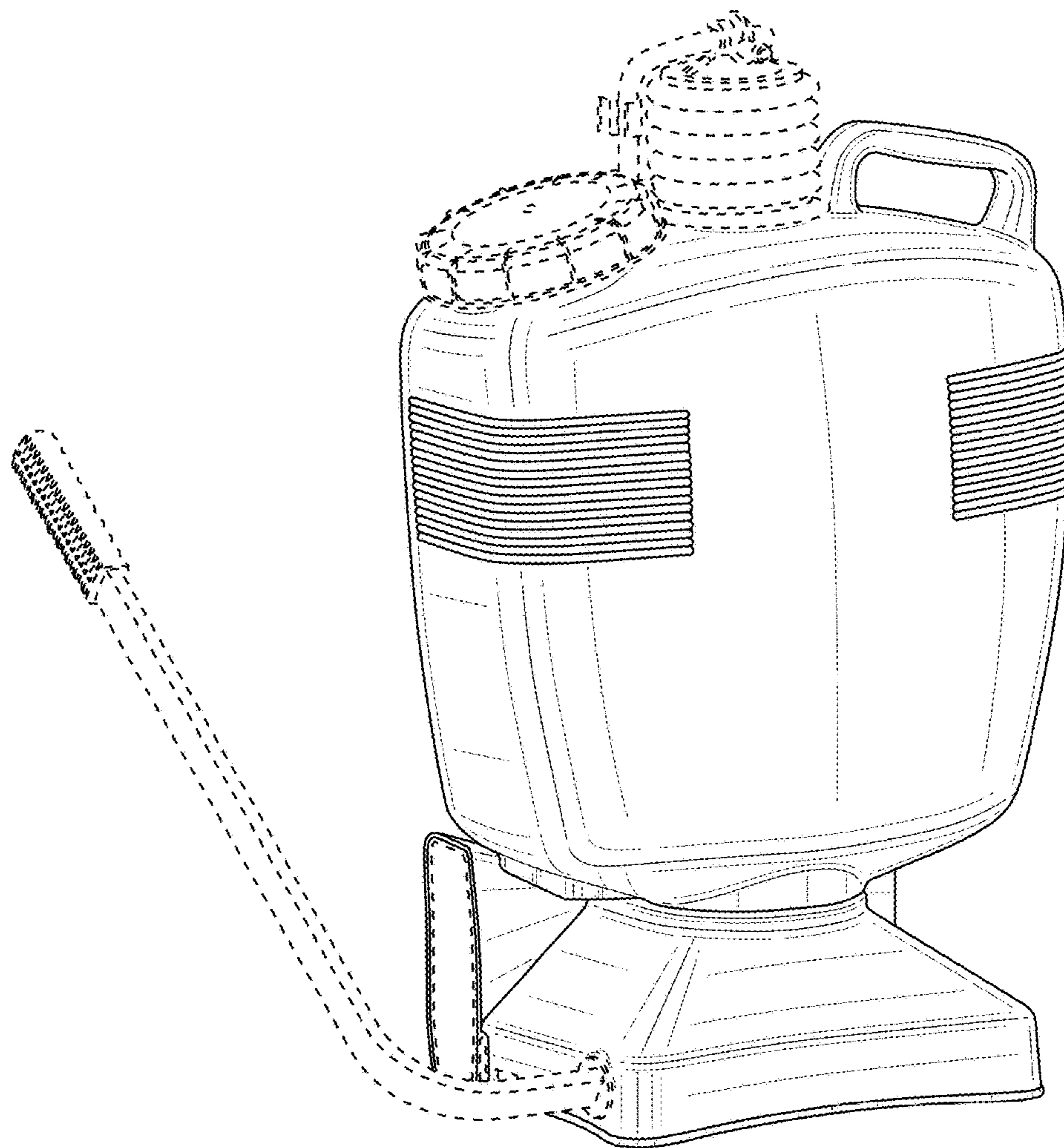


FIG. 1

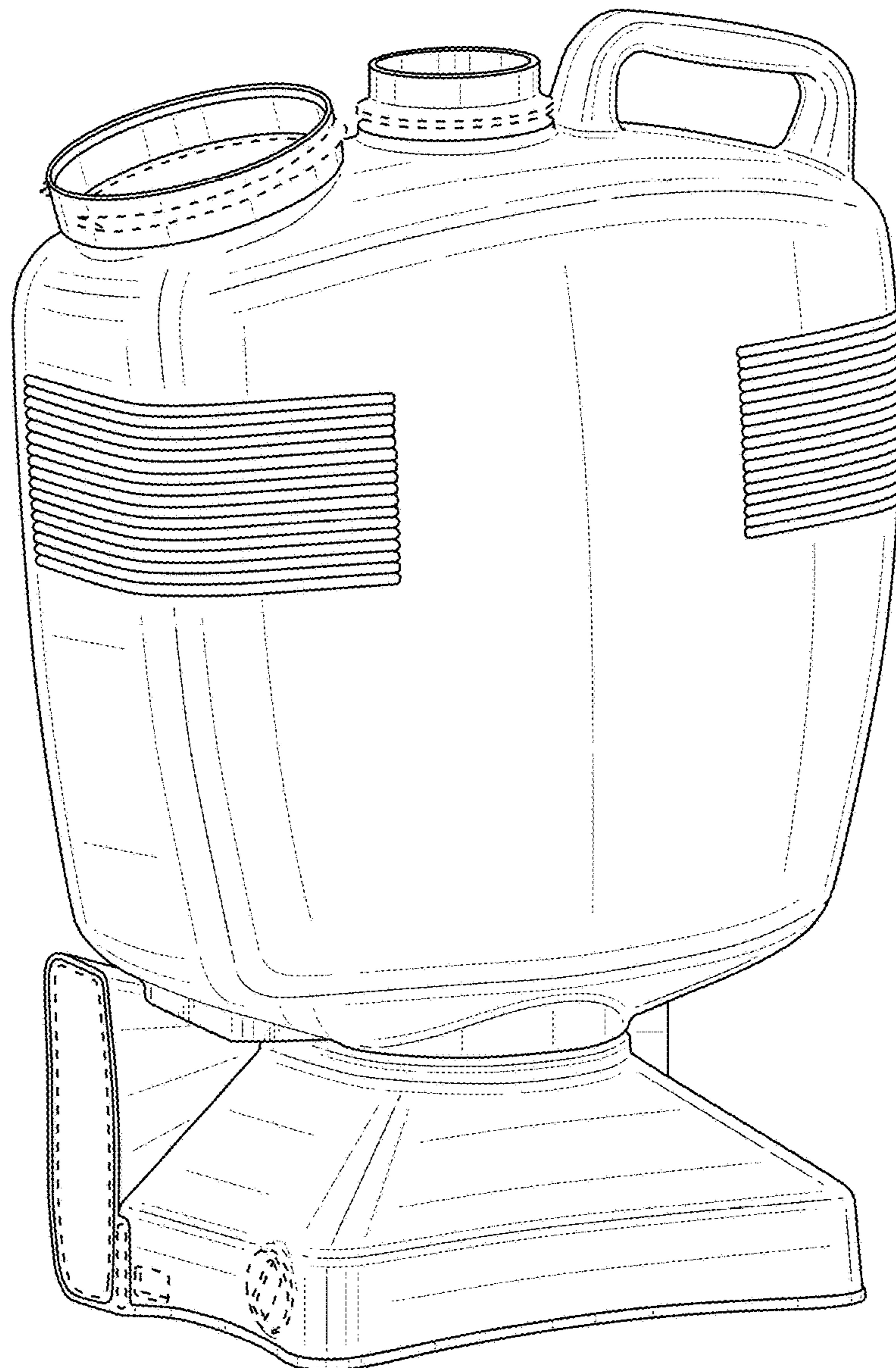


FIG. 2

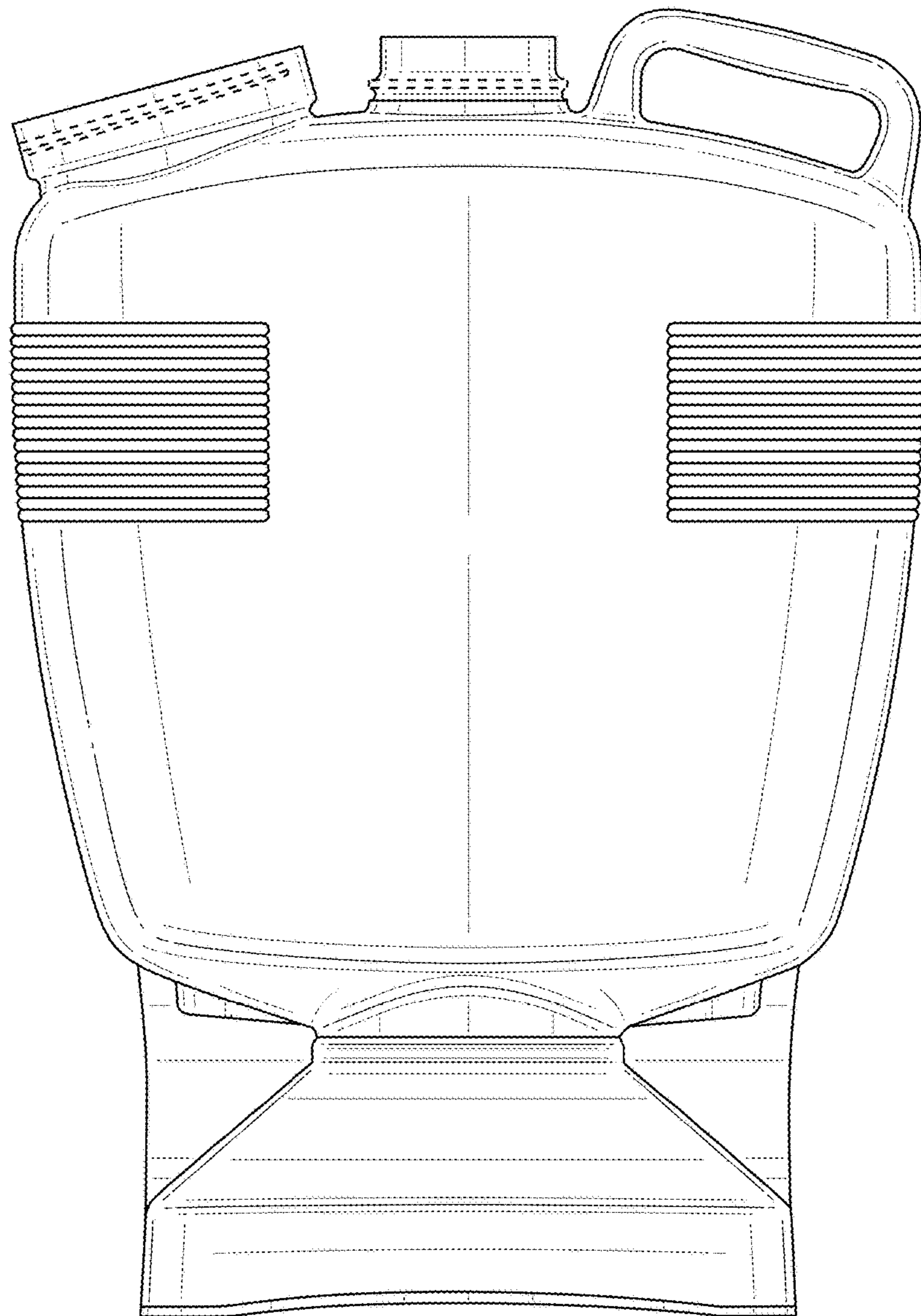


FIG. 3

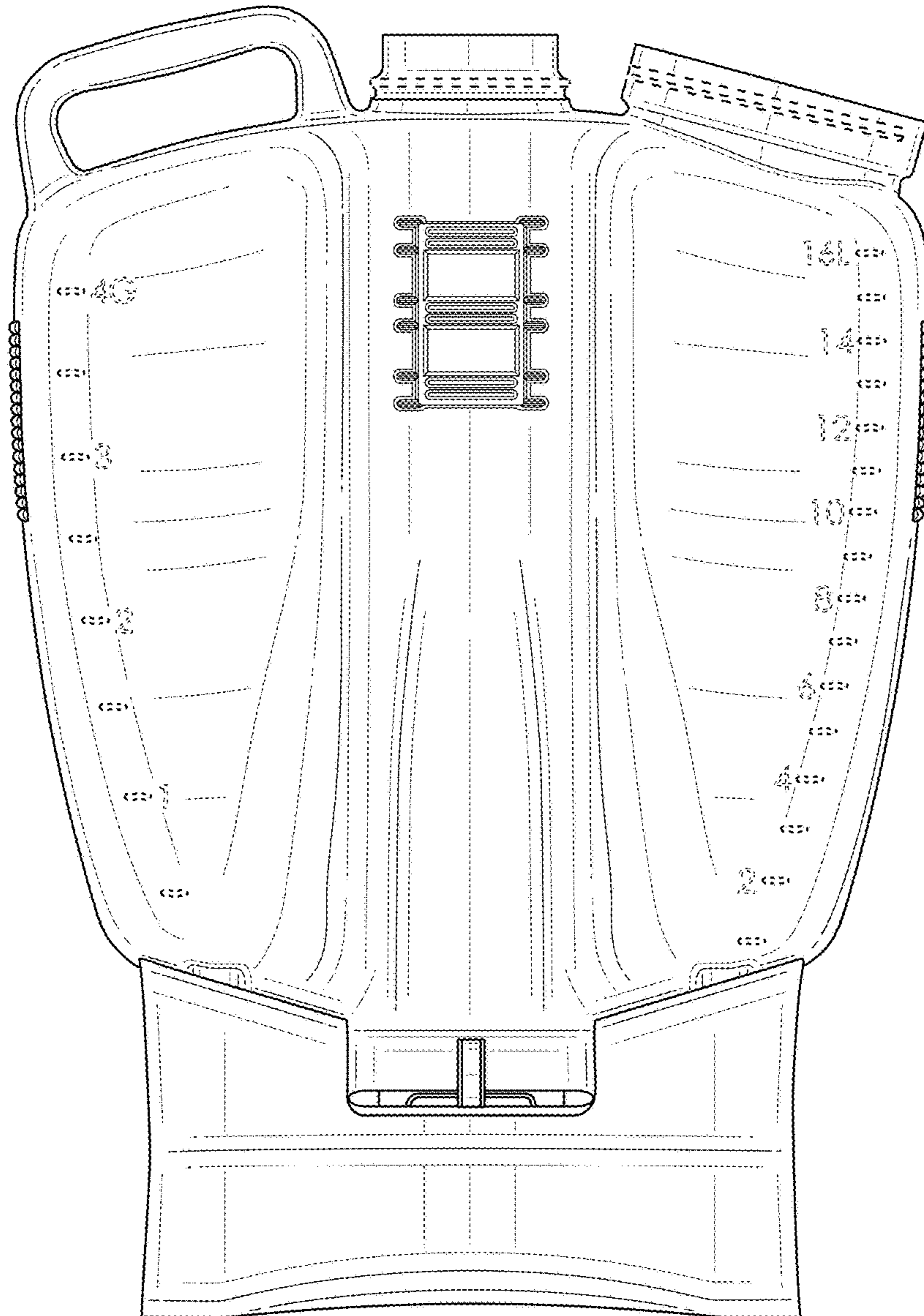


FIG. 4

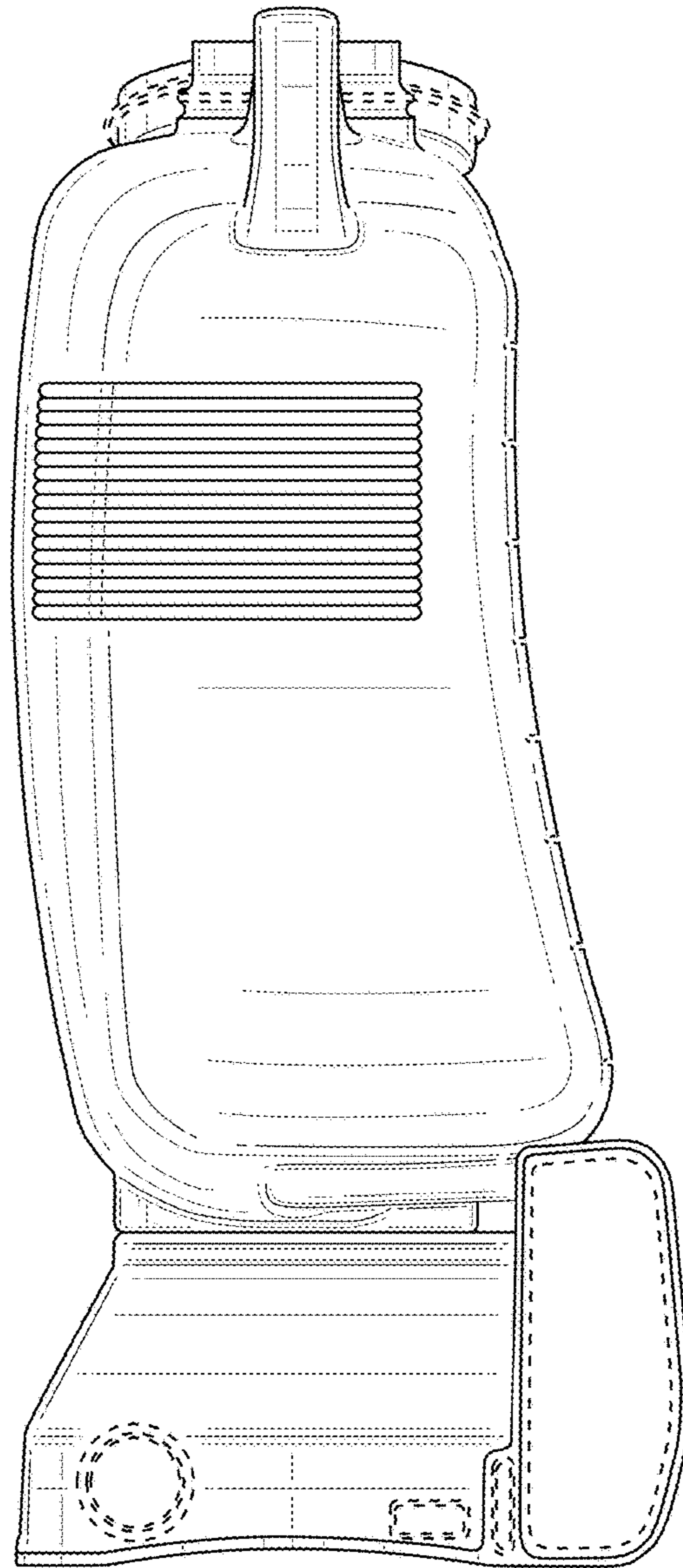


FIG. 5

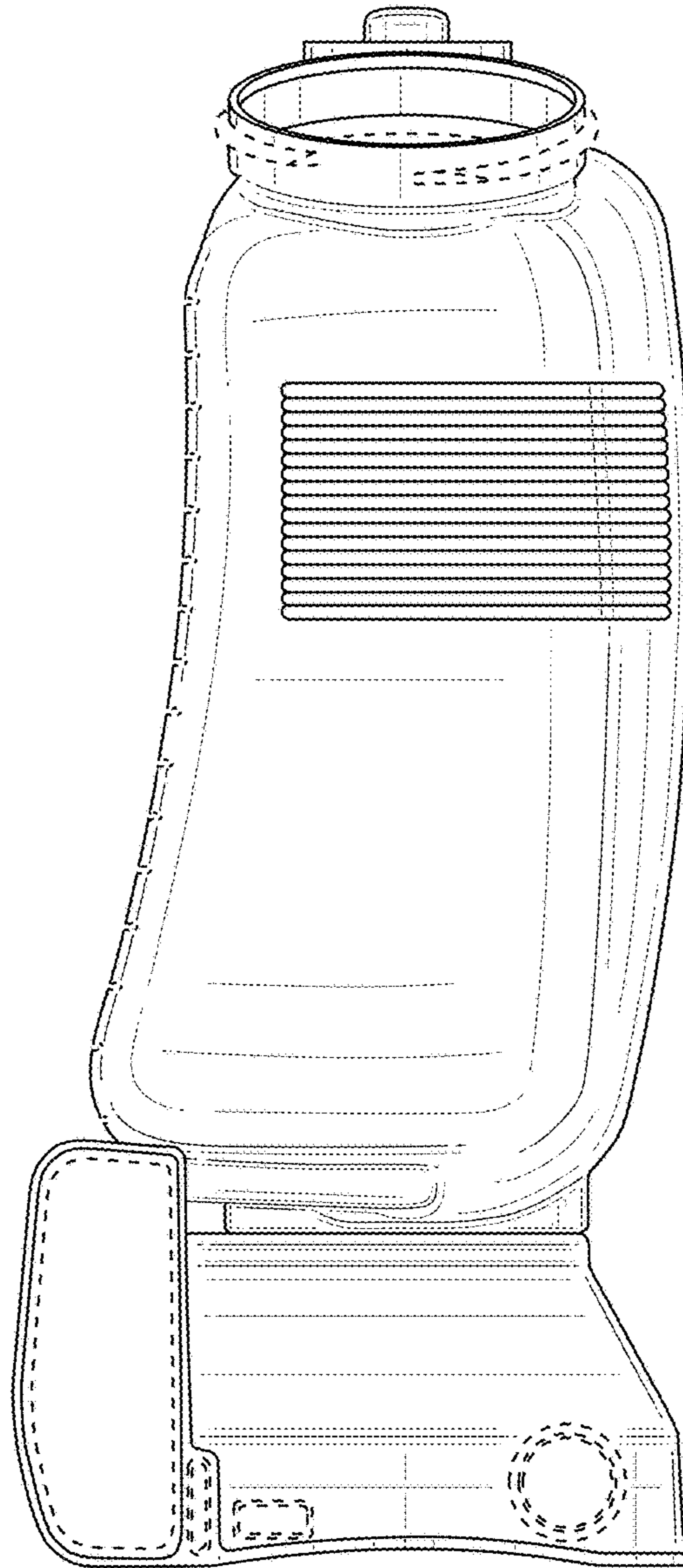


FIG. 6

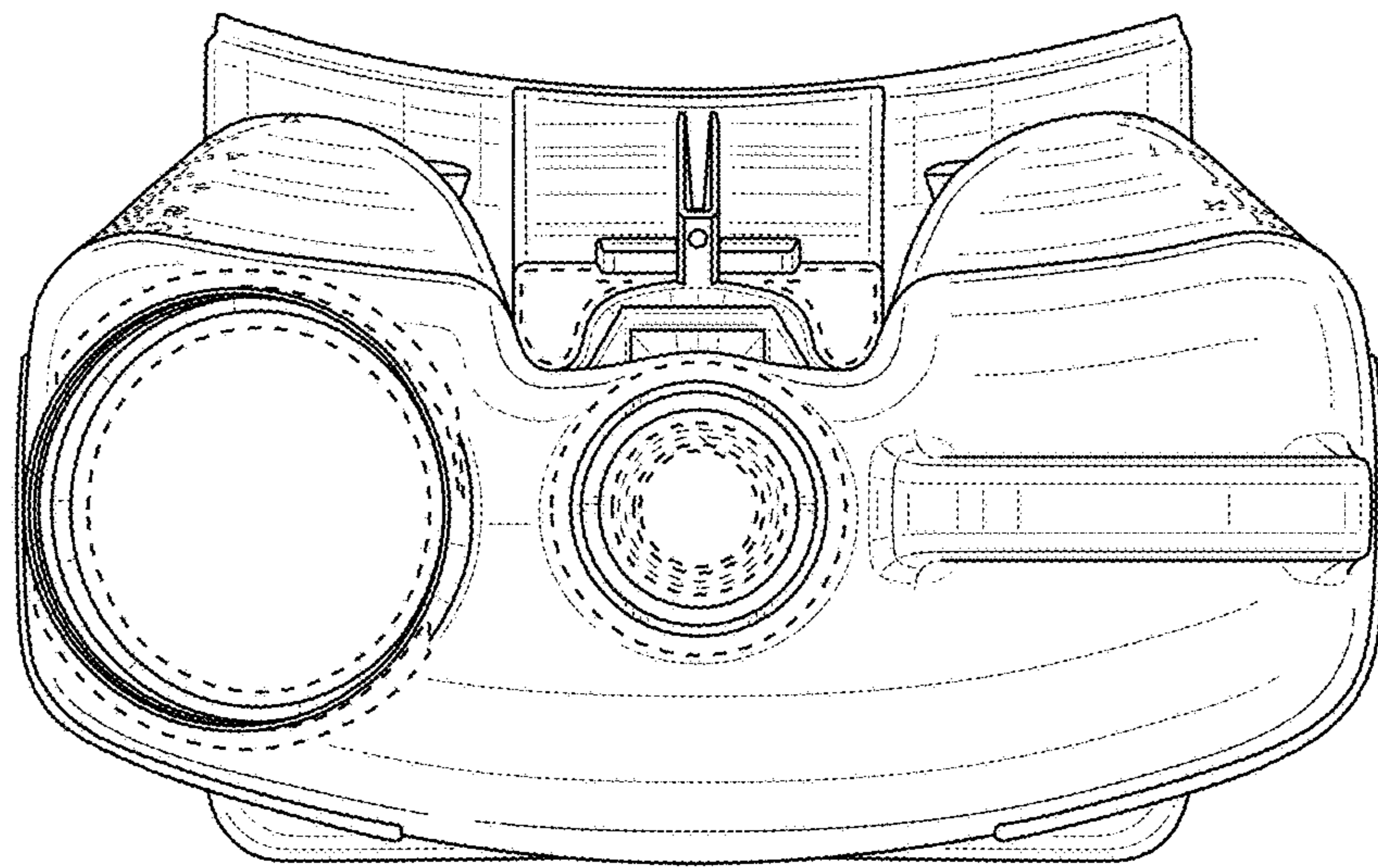


FIG. 7

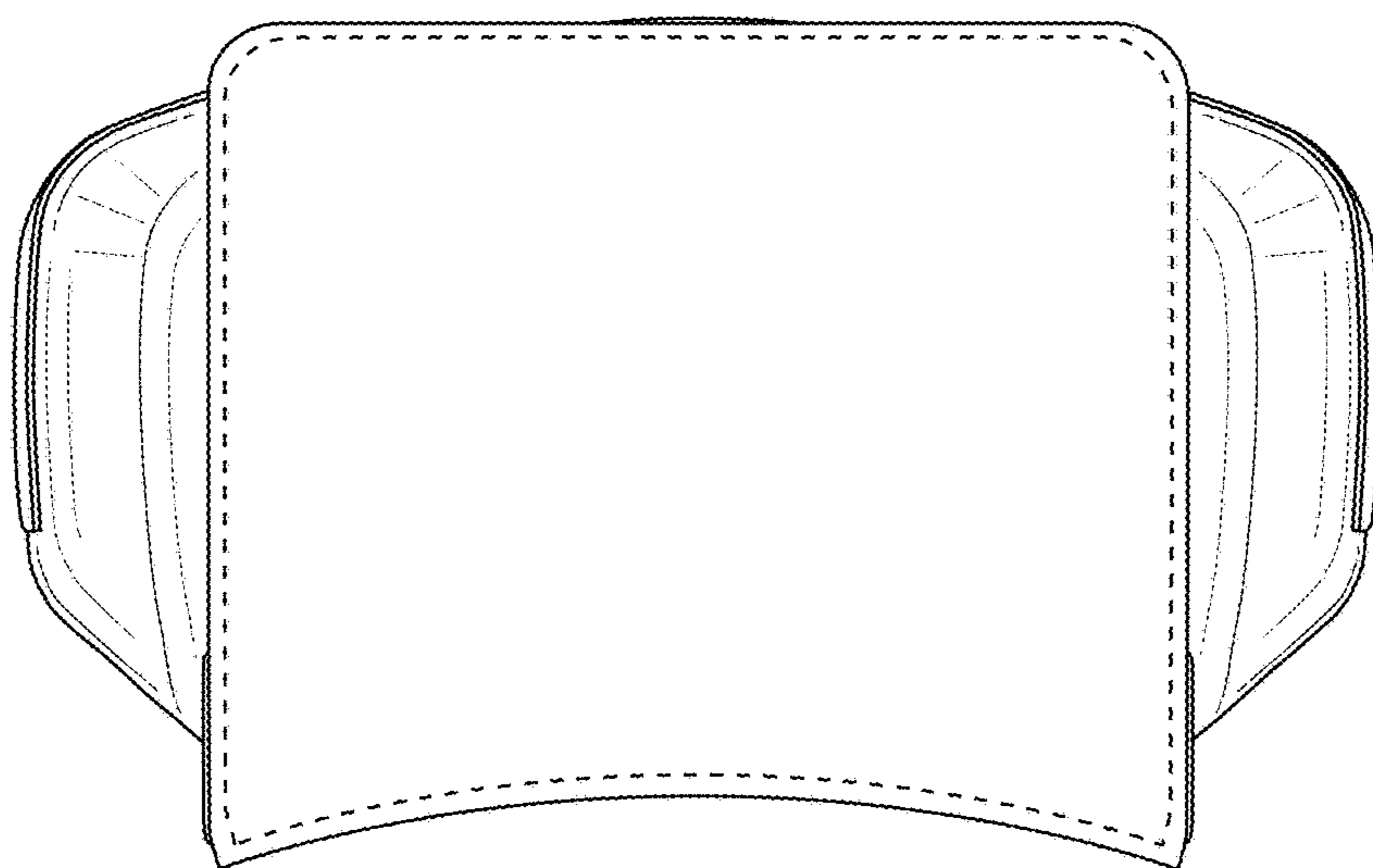


FIG. 8