

US00D845434S

(12) **United States Design Patent**
Zou

(10) **Patent No.:** **US D845,434 S**
(45) **Date of Patent:** **** Apr. 9, 2019**

(54) **FILTER UNIT**

(71) Applicant: **Qingdao Ecopure Filter Co., Ltd.**,
Jimo, Qingdao (CN)

(72) Inventor: **Zhibin Zou**, Qingdao (CN)

(73) Assignee: **QINGDAO ECOPURE FILTER CO., LTD.**, Jimo, Qingdao (CN)

(**) Term: **15 Years**

(21) Appl. No.: **29/625,493**

(22) Filed: **Nov. 9, 2017**

(51) **LOC (11) Cl.** **23-01**

(52) **U.S. Cl.**
USPC **D23/209**

(58) **Field of Classification Search**
USPC D23/200, 207, 209; 210/497.01
CPC B01D 35/30; B01D 35/153; B01D 35/306;
B01D 2201/30; B01D 2201/29; B01D
24/10; B01D 36/02; B01D 29/035; B01D
29/0009; C02F 1/002; C02F 1/003
See application file for complete search history.

(56) **References Cited**

U.S. PATENT DOCUMENTS

D472,604 S * 4/2003 Fritze D23/209
D541,371 S * 4/2007 McKay D23/209
D599,880 S * 9/2009 Rampen D23/209
D750,738 S * 3/2016 Baird D23/209
D750,739 S * 3/2016 Baird D23/209
D764,626 S * 8/2016 Lu D23/209

D768,814 S * 10/2016 Dong D23/209
D773,607 S * 12/2016 Lu D23/209
D776,237 S * 1/2017 Dong D23/207
D788,880 S * 6/2017 Zou D23/209
D792,943 S * 7/2017 Zou D23/209
D794,749 S * 8/2017 Zou D23/209
D820,948 S * 6/2018 An D23/209
D822,155 S * 7/2018 Zou D23/209
10,040,009 B1 * 8/2018 Krause B01D 35/143
D831,786 S * 10/2018 Zou B01D 35/30
D23/209
D831,788 S * 10/2018 Zou D23/209
10,099,162 B2 * 10/2018 Prince B01D 35/30

* cited by examiner

Primary Examiner — Robin V Webster

(74) *Attorney, Agent, or Firm* — Muncy, Geissler, Olds & Lowe, P.C.

(57) **CLAIM**

The ornamental design for a filter unit, as shown and described.

DESCRIPTION

FIG. 1 is a Front elevational view of a filter unit showing my new design;
FIG. 2 is a Rear elevational view thereof;
FIG. 3 is a Left side view thereof;
FIG. 4 is a Right side view thereof;
FIG. 5 is a Top plan view thereof, enlarged for clarity;
FIG. 6 is a Bottom plan view thereof, enlarged for clarity; and,
FIG. 7 is a top Perspective view thereof.
The broken lines in the drawing depict portions of the filter unit that form no part of the claimed design.

1 Claim, 7 Drawing Sheets



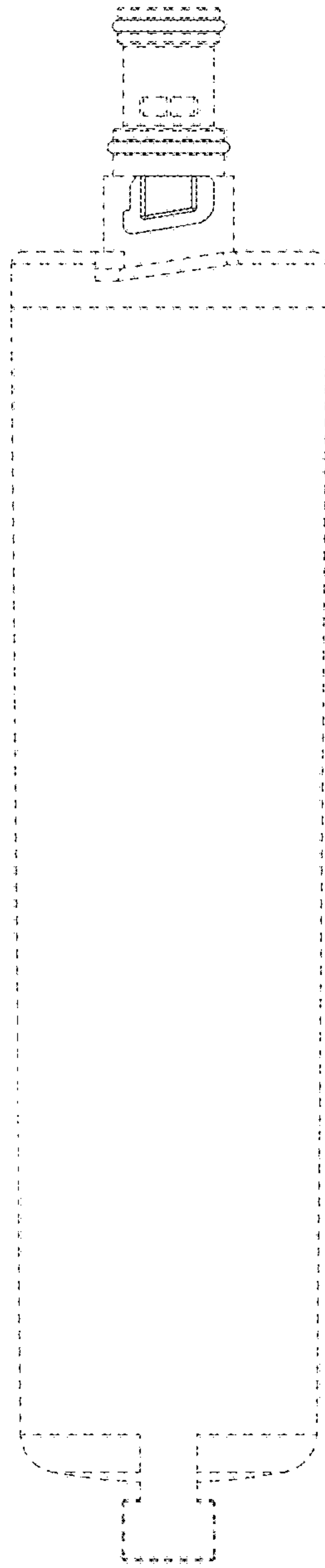


FIG. 1

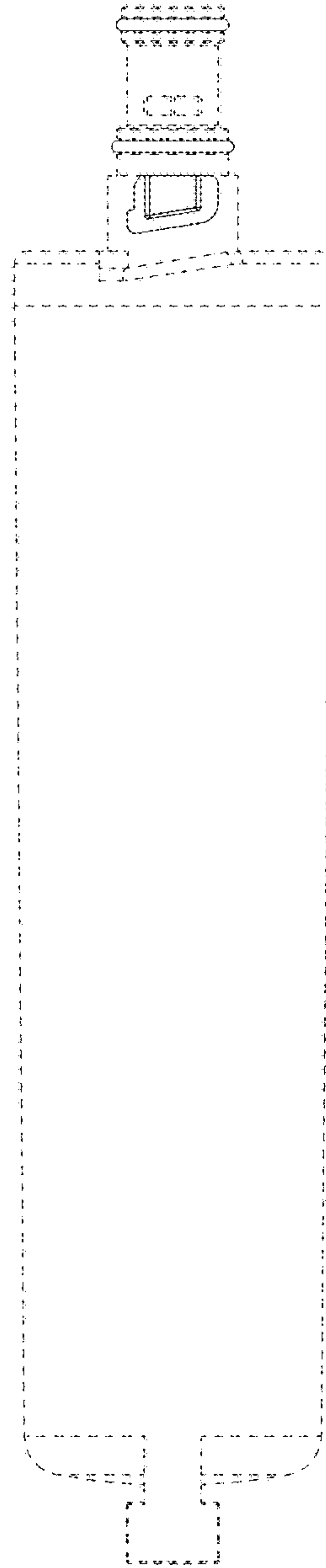


FIG. 2

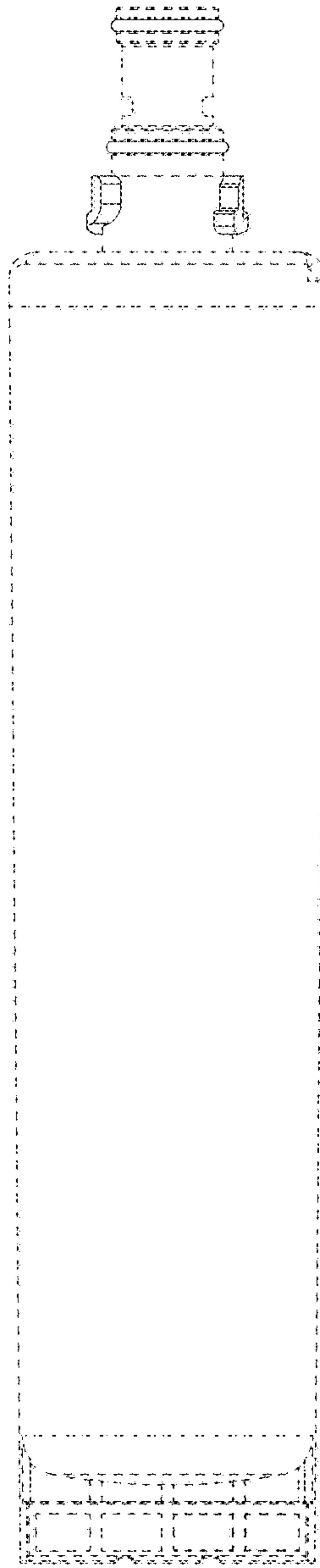


FIG. 3



FIG. 4

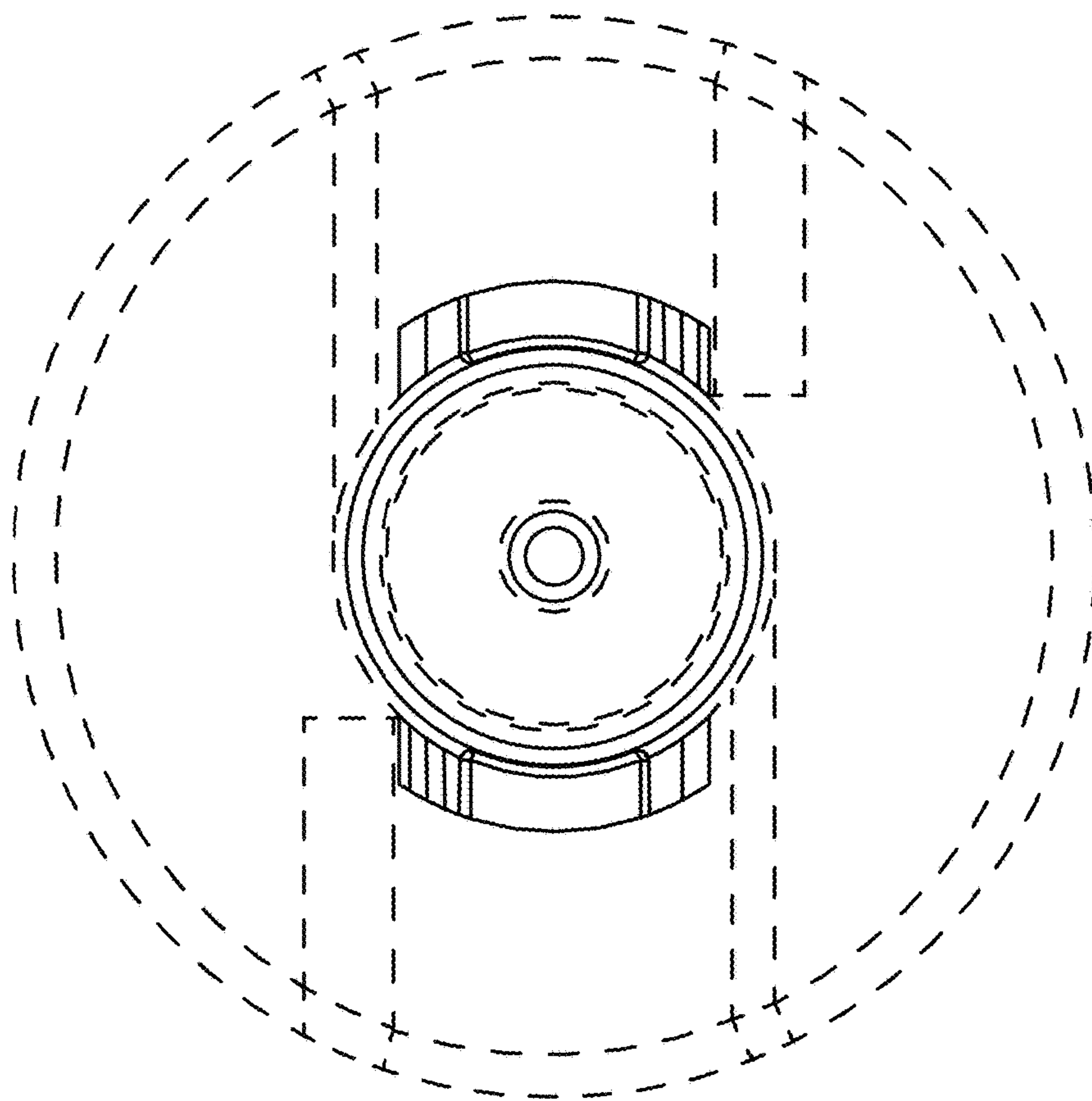


FIG. 5

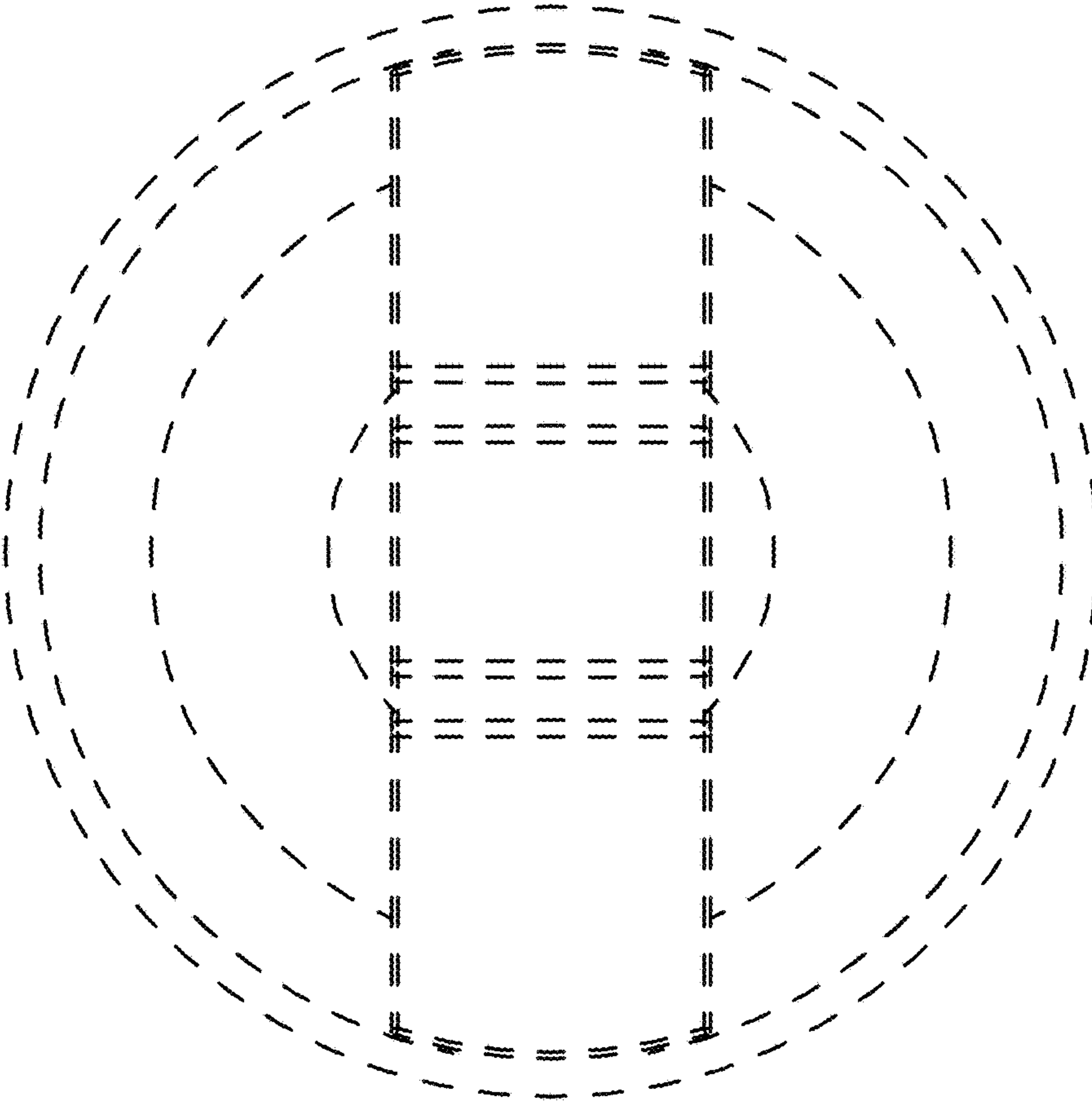


FIG. 6

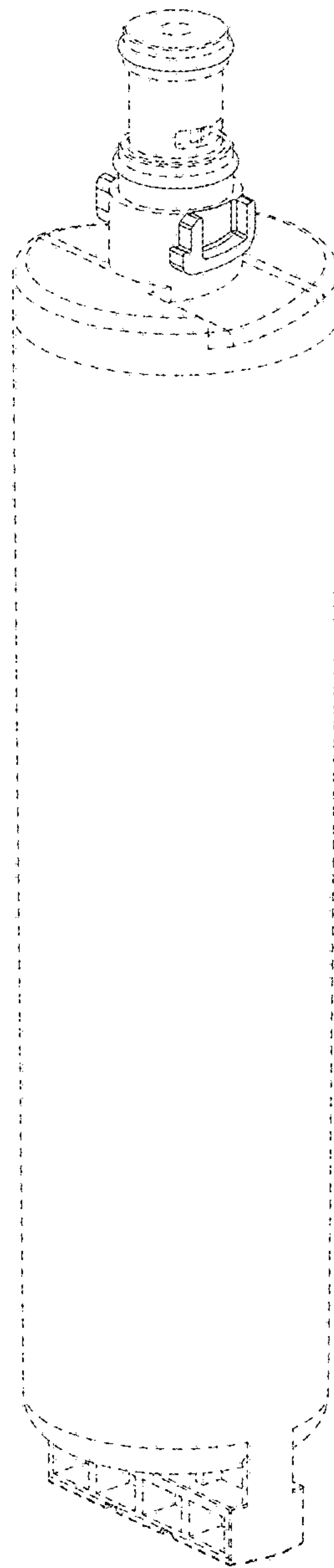


FIG. 7