



US00D845432S

(12) **United States Design Patent**  
**Christofferson**

(10) **Patent No.:** **US D845,432 S**

(45) **Date of Patent:** **\*\* Apr. 9, 2019**

(54) **FISHING ROD HOLDER**

(71) Applicant: **One Lung Enterprises LLC**, Parker, CO (US)

(72) Inventor: **John Christofferson**, Parker, CO (US)

(73) Assignee: **One Lung Enterprises LLC**, Parker, CO (US)

(\*\*) Term: **15 Years**

(21) Appl. No.: **29/621,702**

(22) Filed: **Oct. 10, 2017**

(51) **LOC (11) Cl.** ..... **22-05**

(52) **U.S. Cl.**  
USPC ..... **D22/147**

(58) **Field of Classification Search**  
USPC ..... D22/147, 199, 134; D3/260;  
D6/552-553; 248/514-515, 518, 207,  
248/316.5, 316.7, 534; 43/21.2;  
224/922; 211/89.01, 70.1, 70.2  
CPC ..... A01K 97/00; A01K 97/10; Y10S 224/922  
See application file for complete search history.

(56) **References Cited**

**U.S. PATENT DOCUMENTS**

- 704,991 A \* 7/1902 Warren ..... A01K 97/10  
248/515
- D248,347 S \* 7/1978 McCollum ..... D22/147
- 4,219,178 A \* 8/1980 Assion ..... A45D 20/12  
211/89.01
- D356,140 S \* 3/1995 Meyer ..... D22/147
- D679,123 S \* 4/2013 Evangelista ..... D6/552

**OTHER PUBLICATIONS**

Cutbow Fishing Gear, Magnetic Rod Holder (Bass) (Year: 2018).\*  
Cutbow Fishing Gear, Magnetic Rod Holder (Trout) (Year: 2018).\*

\* cited by examiner

*Primary Examiner* — Catherine R Oliver-Garcia  
(74) *Attorney, Agent, or Firm* — Colorado Patents

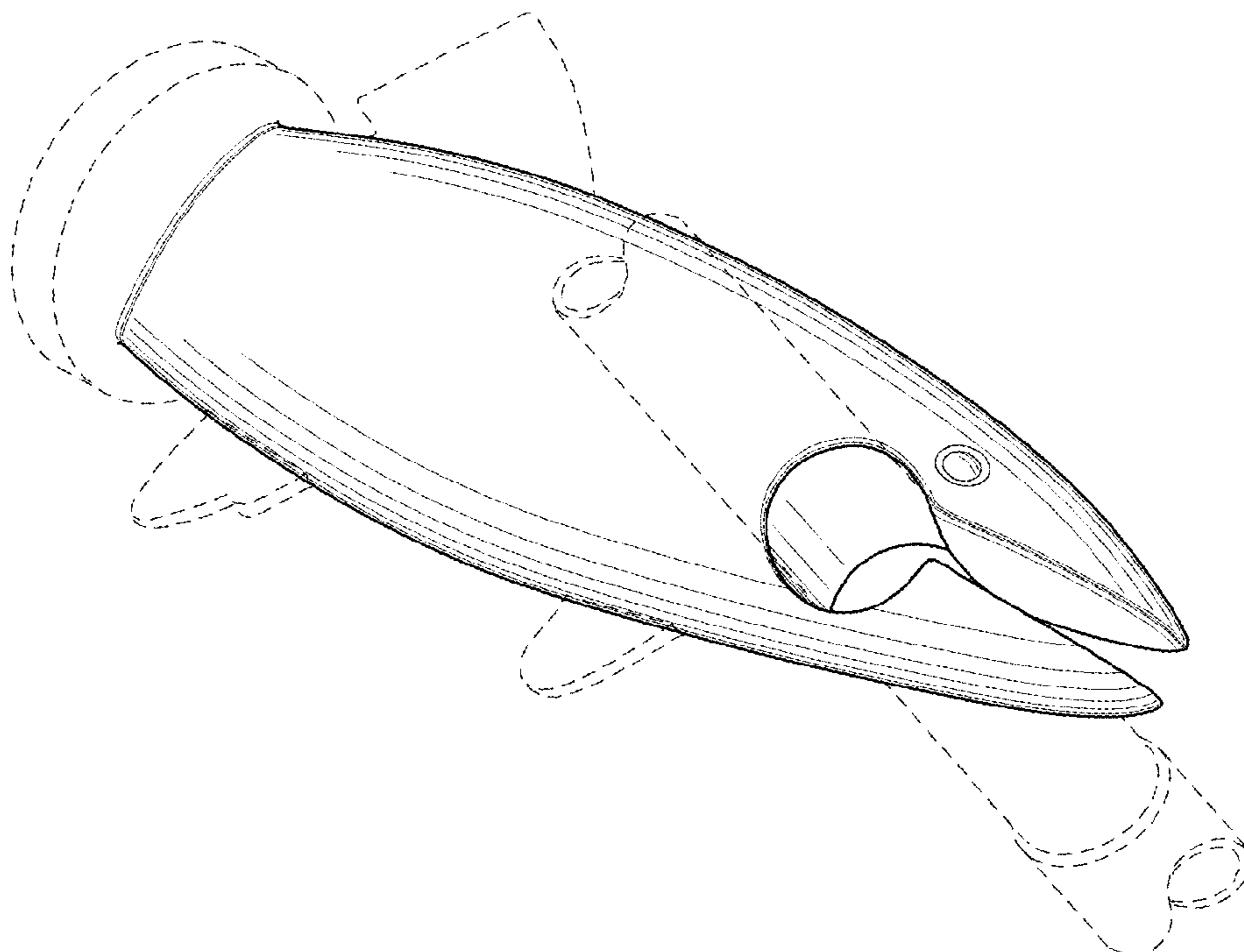
(57) **CLAIM**

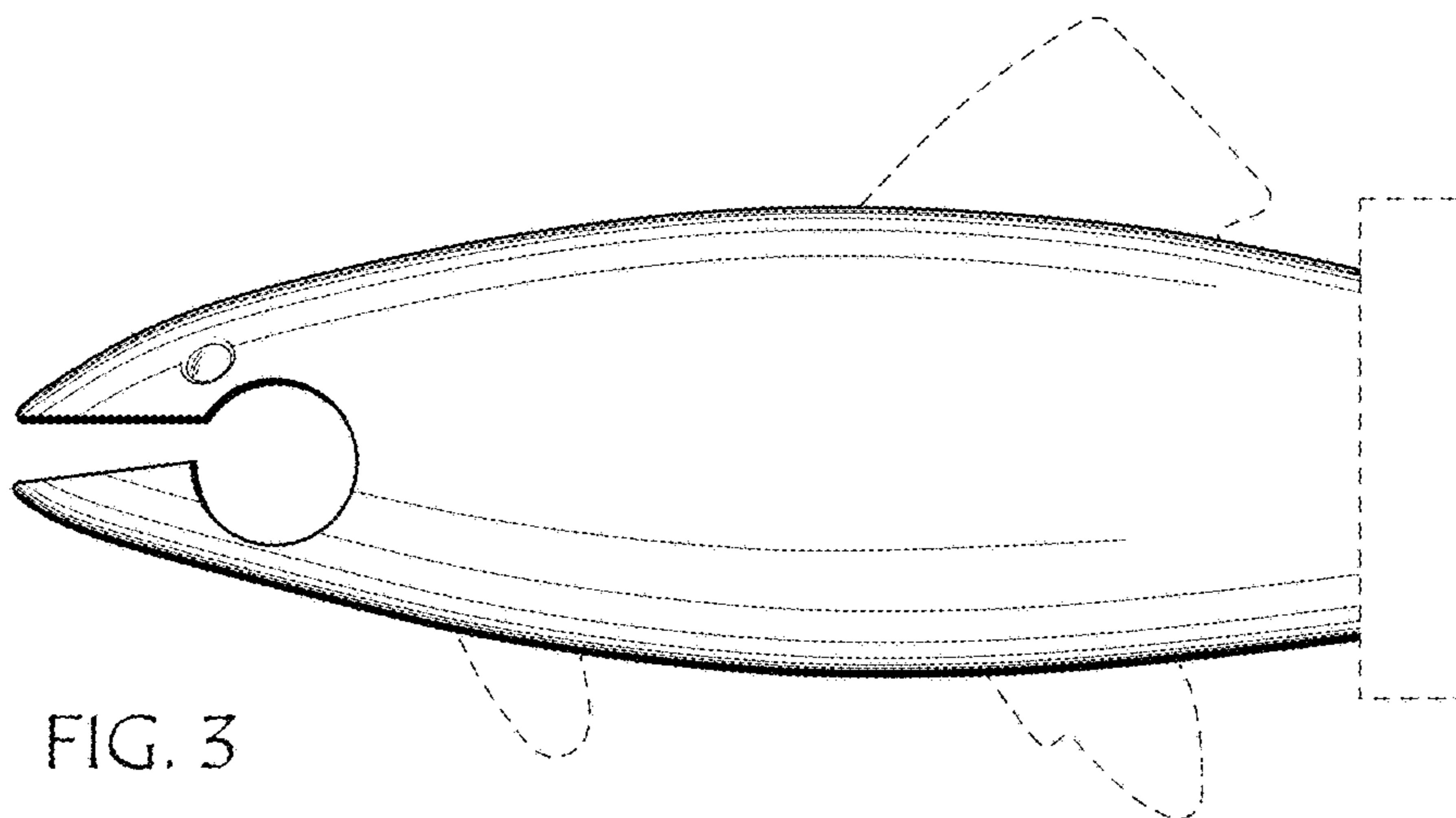
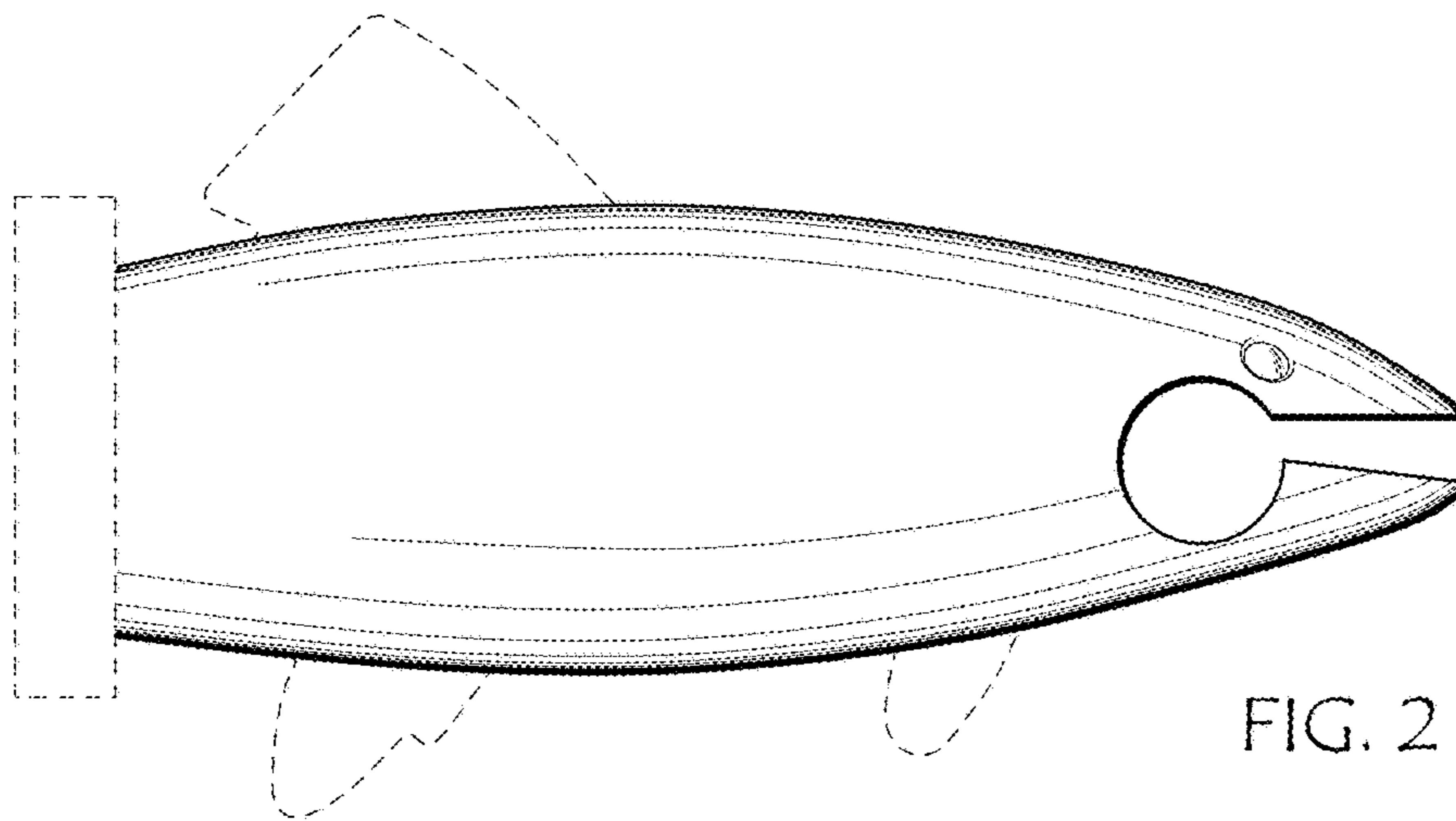
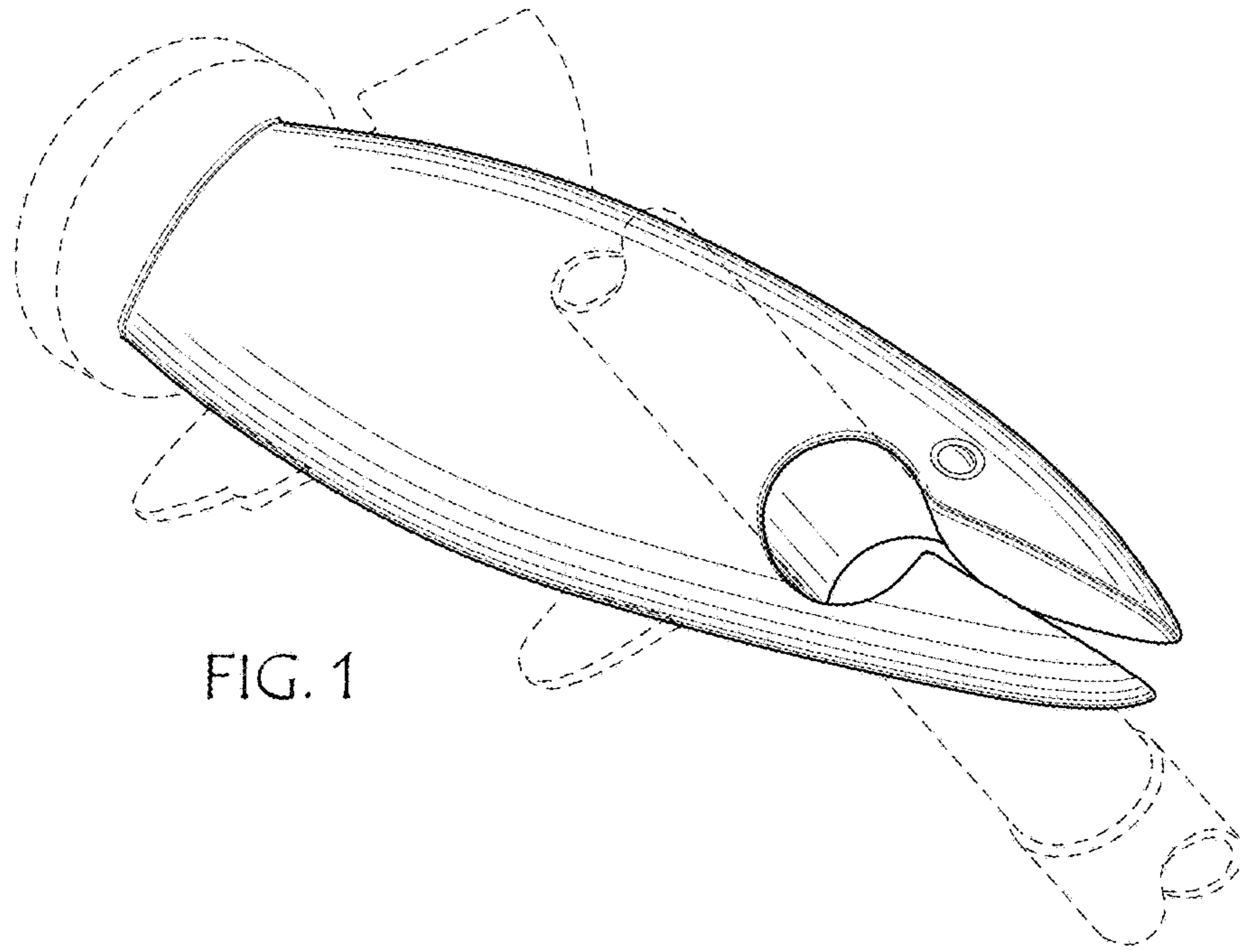
The ornamental design for a fishing rod holder, as shown and described.

**DESCRIPTION**

FIG. 1 is an environmental perspective view of my new design for a fishing rod holder showing my new design; FIG. 2 is a left side view showing the fishing rod holder of FIG. 1 in isolation; FIG. 3 is a right side view of the fishing rod holder of FIG. 2; FIG. 4 is a top plan view of the fishing rod holder of FIG. 2; FIG. 5 is a bottom plan view of the fishing rod holder of FIG. 2; FIG. 6 is a rear view of the fishing rod holder of FIG. 2; and, FIG. 7 is a front view of the fishing rod holder of FIG. 2. The broken lines depict environmental structure and are for the purpose of illustration only and form no part of the claimed design.

**1 Claim, 2 Drawing Sheets**





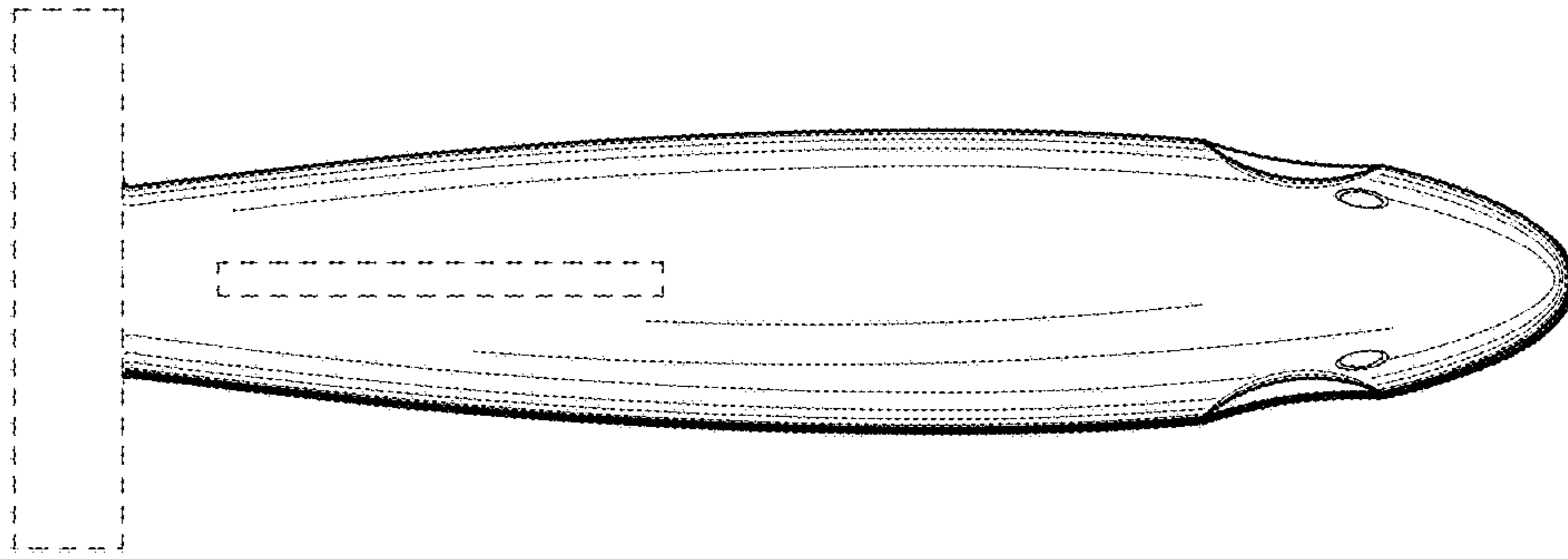


FIG. 4

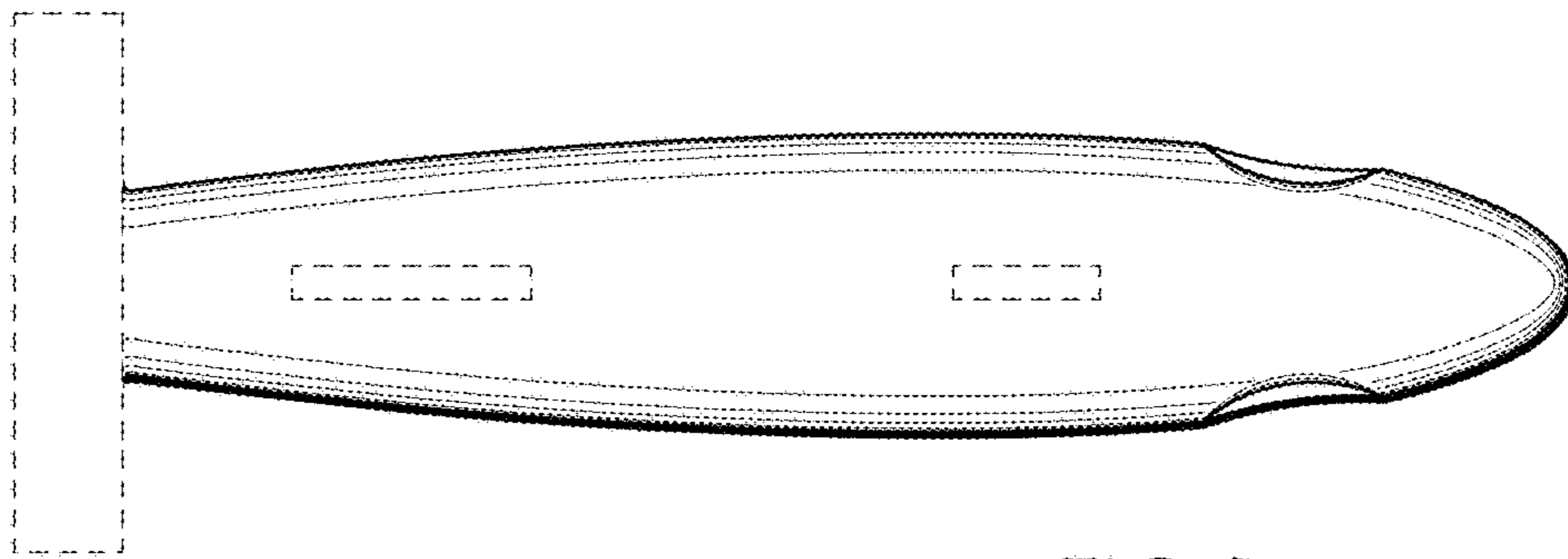


FIG. 5

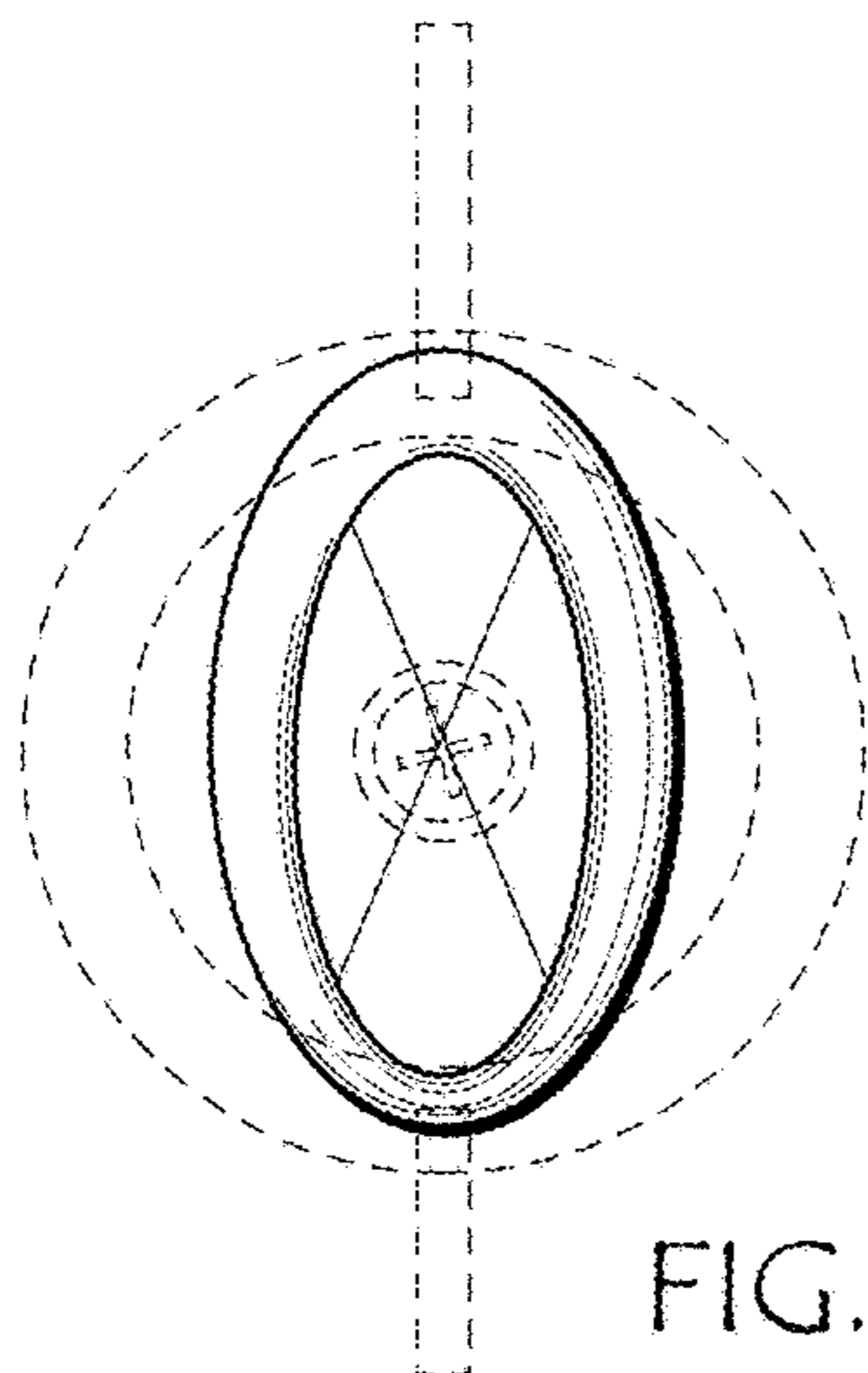


FIG. 6

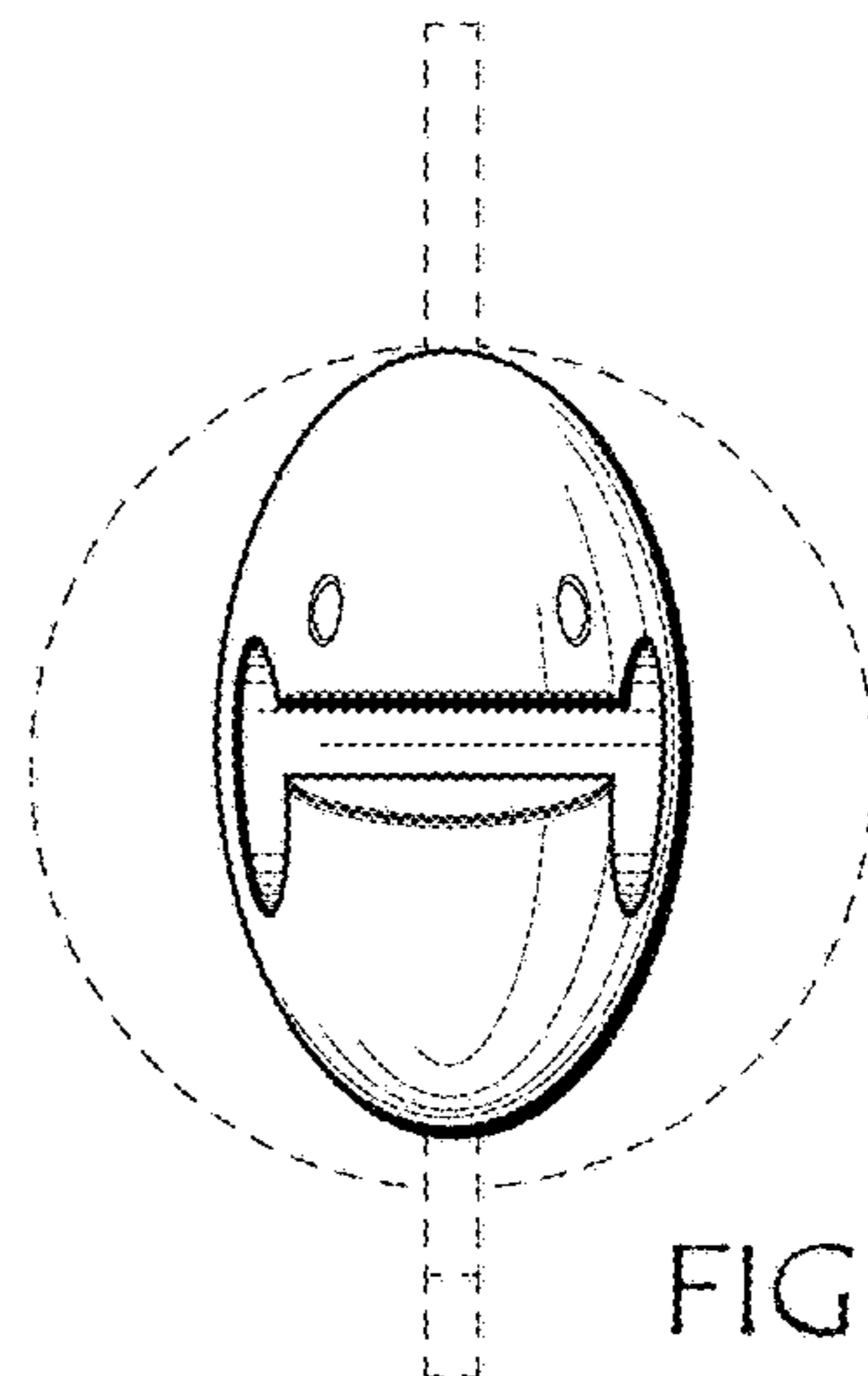


FIG. 7