



US00D845430S

(12) **United States Design Patent** (10) **Patent No.:** **US D845,430 S**
Smith et al. (45) **Date of Patent:** **** Apr. 9, 2019**

- | | |
|---|---|
| <p>(54) INSECT TRAP CARTRIDGE</p> <p>(71) Applicant: The Procter & Gamble Company,
Cincinnati, OH (US)</p> <p>(72) Inventors: Christopher Lawrence Smith, Liberty
Township, OH (US); Mike Shuo Wang,
Cincinnati, OH (US); Jane Welling,
Cincinnati, OH (US)</p> <p>(73) Assignee: The Procter & Gamble Company,
Cincinnati, OH (US)</p> | <p>4,212,129 A 7/1980 Shumate
 D282,390 S 1/1986 Ford
 4,709,502 A 12/1987 Bierman
 4,709,503 A 12/1987 McQueen
 4,815,231 A 3/1989 McQueen
 D323,014 S 1/1992 Demarest
 D780,285 S 2/2017 Lieberwirth et al.
 2016/0000060 A1 1/2016 Schaefer et al.
 2016/0262367 A1 9/2016 Sandford et al.
 2017/0035039 A1 2/2017 Sandford et al.
 2017/0303523 A1 10/2017 Lazarchik et al.</p> |
|---|---|

- (**) Term: **15 Years**
- (21) Appl. No.: **29/665,973**
- (22) Filed: **Oct. 9, 2018**

Related U.S. Application Data

- (62) Division of application No. 29/603,764, filed on May 12, 2017, now Pat. No. Des. 834,137.
- (51) **LOC (11) Cl.** **22-06**
- (52) **U.S. Cl.**
USPC **D22/122**
- (58) **Field of Classification Search**
USPC D22/119–124; 43/107, 111–113, 121,
43/124, 131, 132.1; D23/366–367
CPC A01M 1/04
See application file for complete search history.

(56) **References Cited**

U.S. PATENT DOCUMENTS

- | | | |
|-------------|--------|----------|
| 2,307,163 A | 1/1943 | Shea |
| 3,729,858 A | 5/1973 | Bradshaw |

OTHER PUBLICATIONS

- U.S. Appl. No. 29/590,624, filed Jan. 12, 2017, Lieberwirth et al.
U.S. Appl. No. 15/960,648, filed Apr. 24, 2018, Schaefer et al.

Primary Examiner — Catherine R Oliver-Garcia
(74) *Attorney, Agent, or Firm* — Melissa G. Krasovec

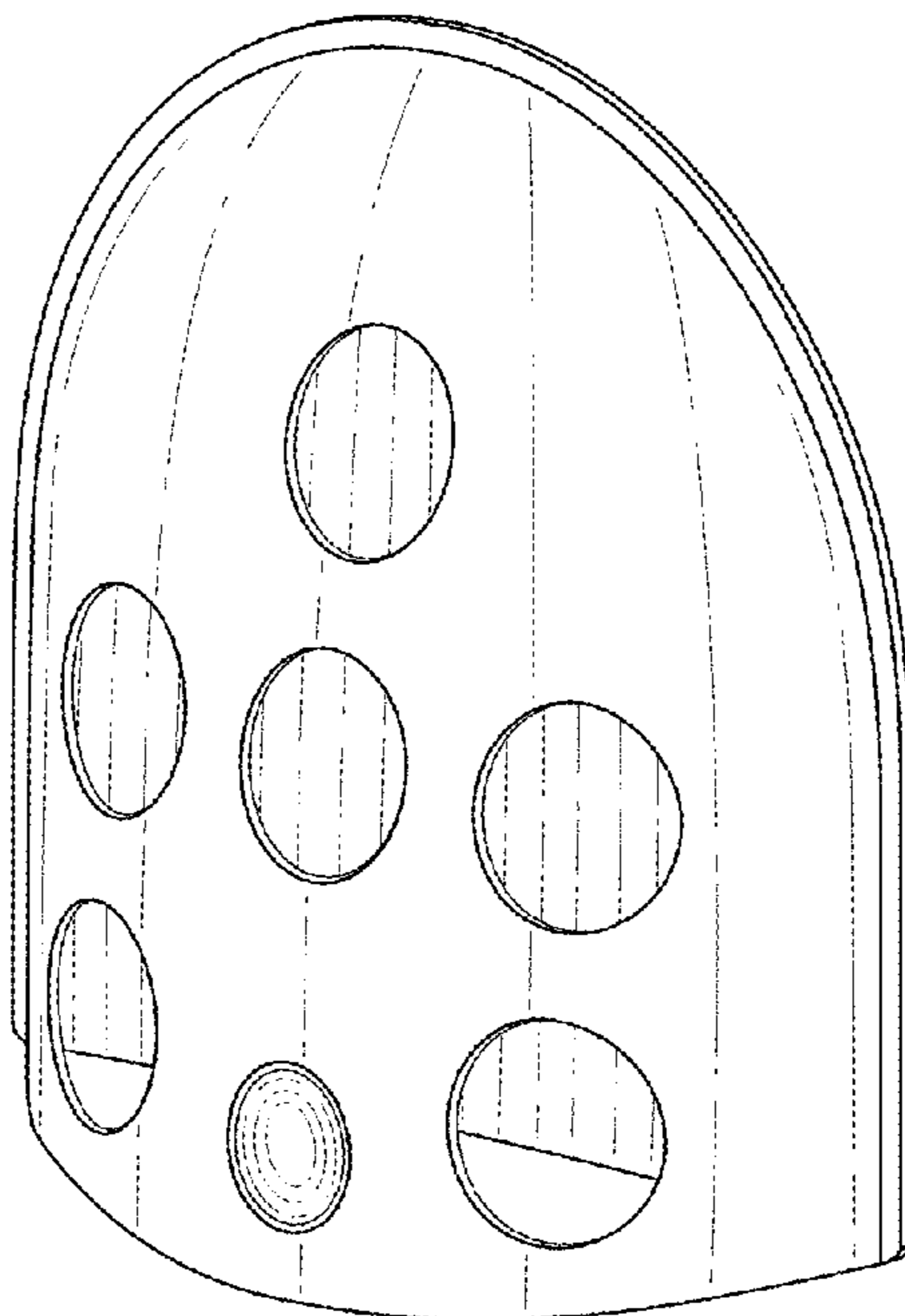
(57) **CLAIM**

The ornamental design for an insect trap cartridge, as shown and described.

DESCRIPTION

FIG. 1 is a front perspective view of an insect trap cartridge embodying our new design;
FIG. 2 is a rear perspective view thereof;
FIG. 3 is a front view thereof;
FIG. 4 is a right side view thereof;
FIG. 5 is a rear view thereof;
FIG. 6 is a left side view thereof;
FIG. 7 is a top view thereof; and,
FIG. 8 is bottom view thereof.

1 Claim, 4 Drawing Sheets



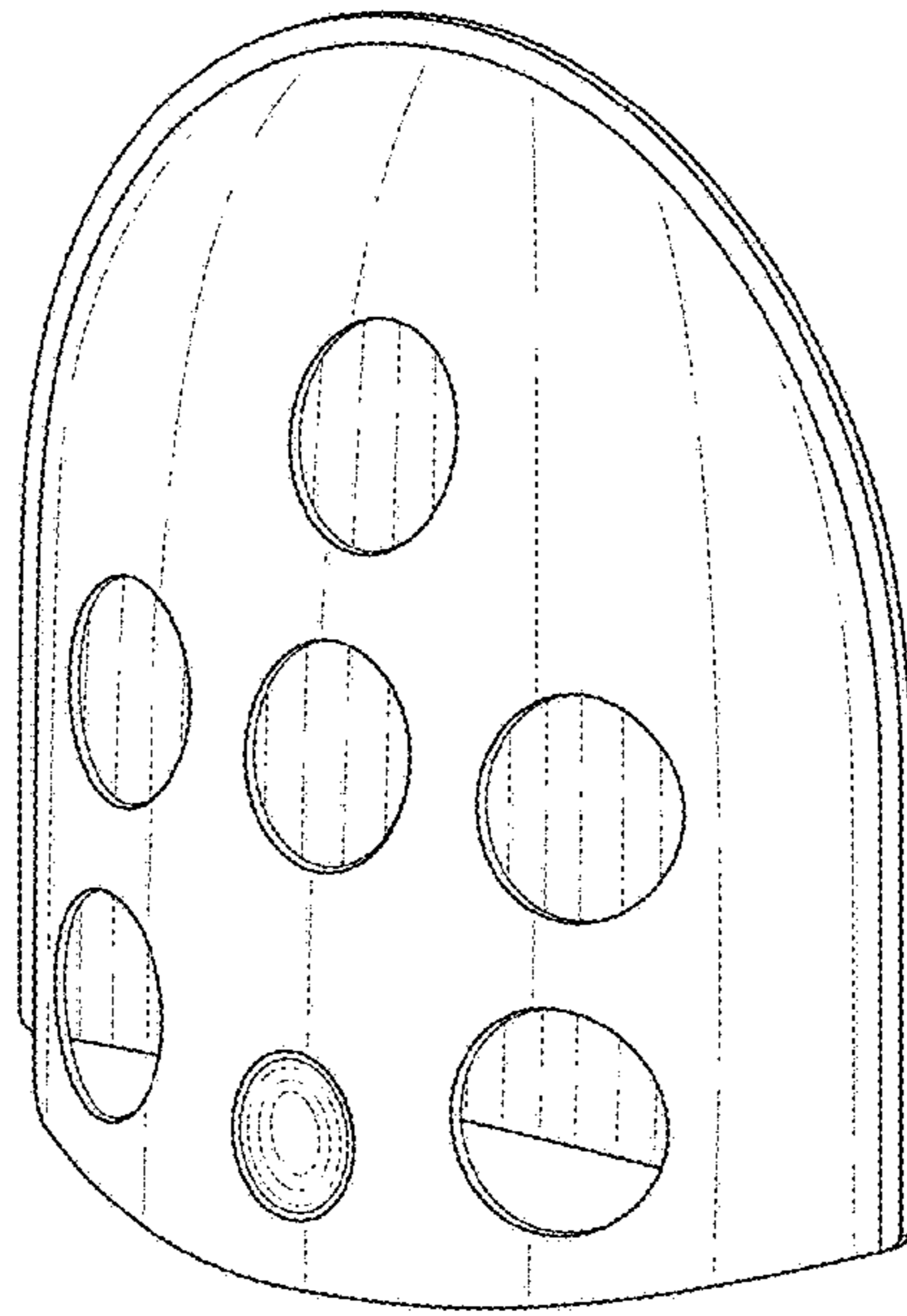


Fig. 1

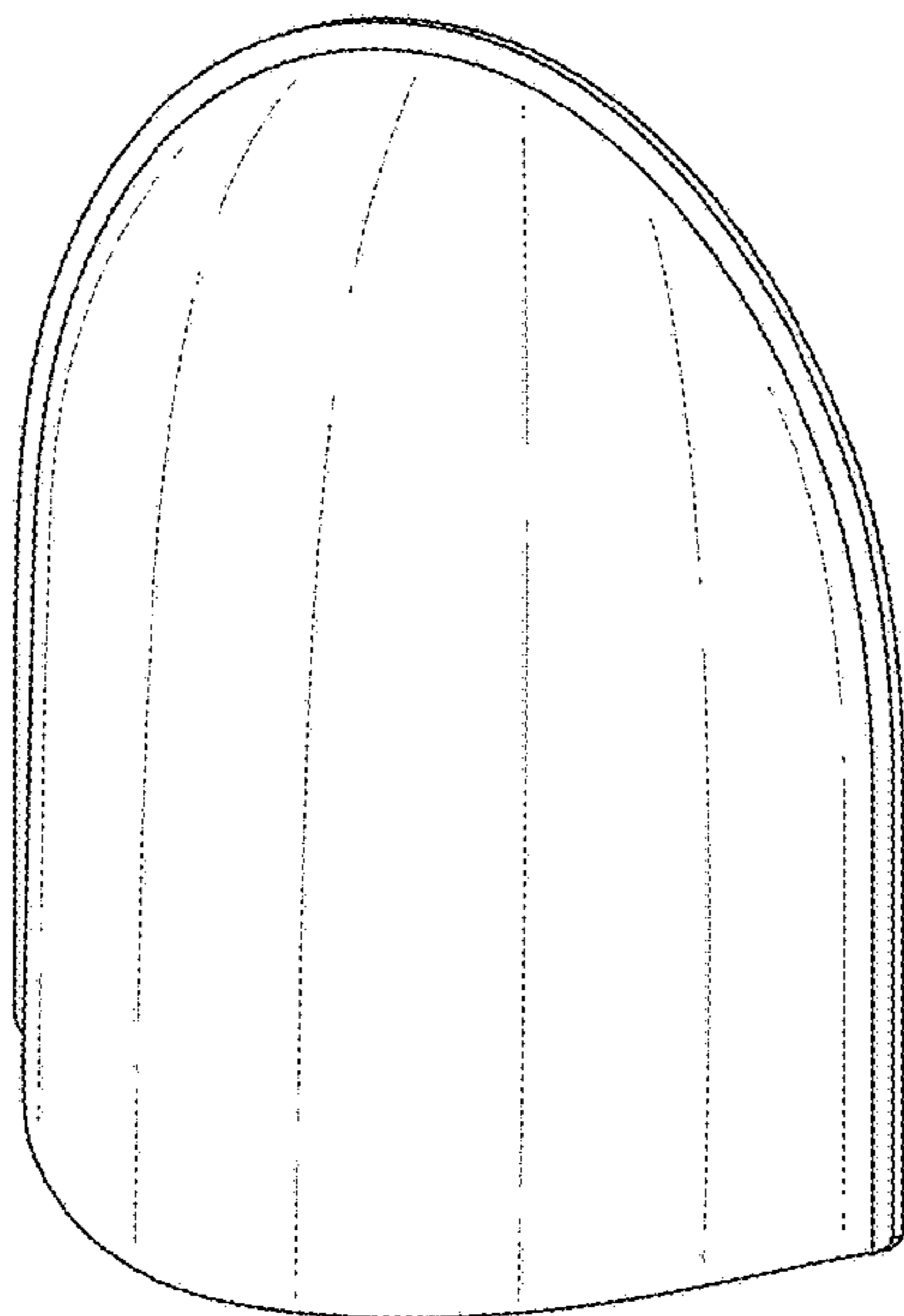


Fig. 2

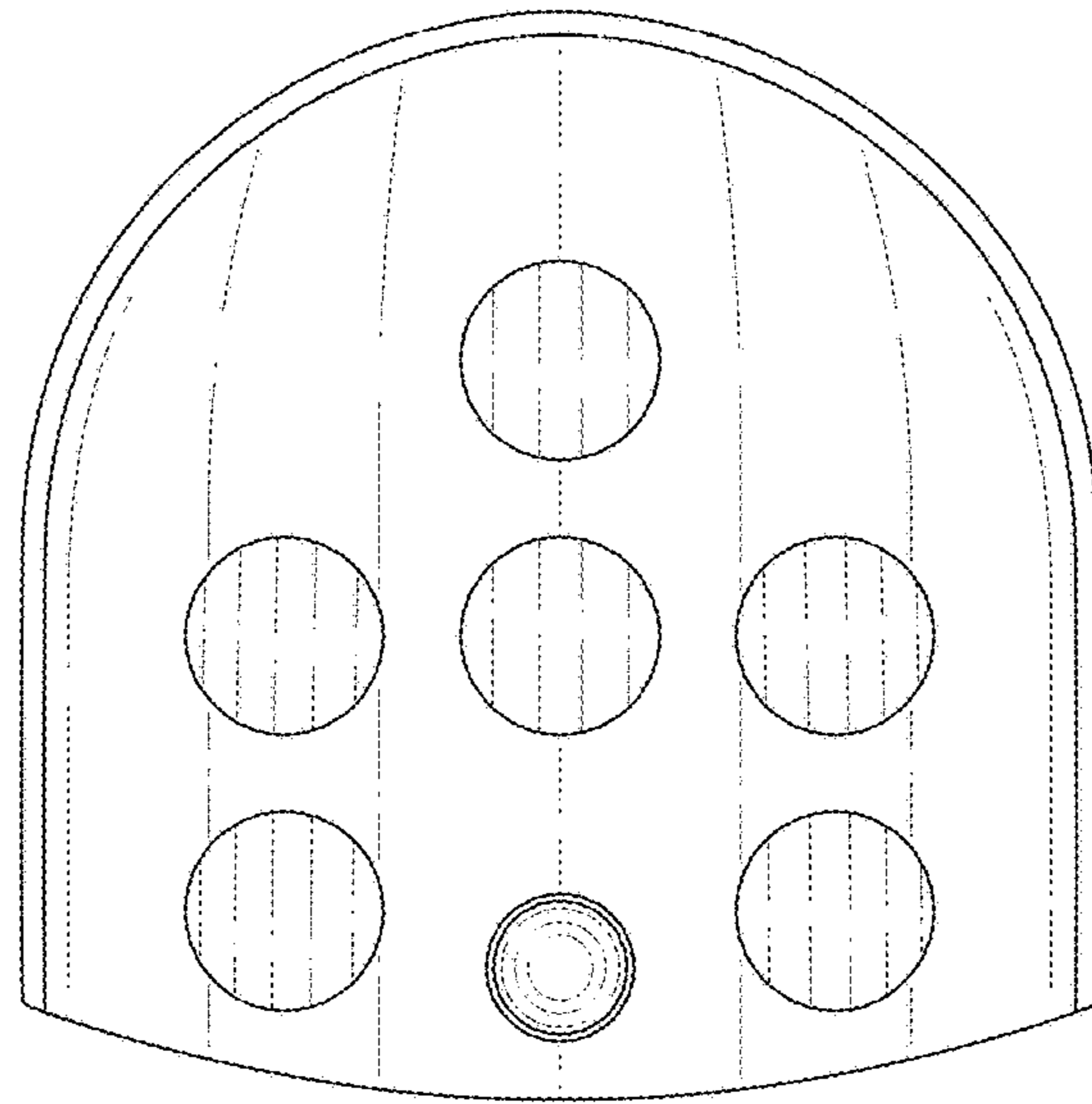


Fig. 3

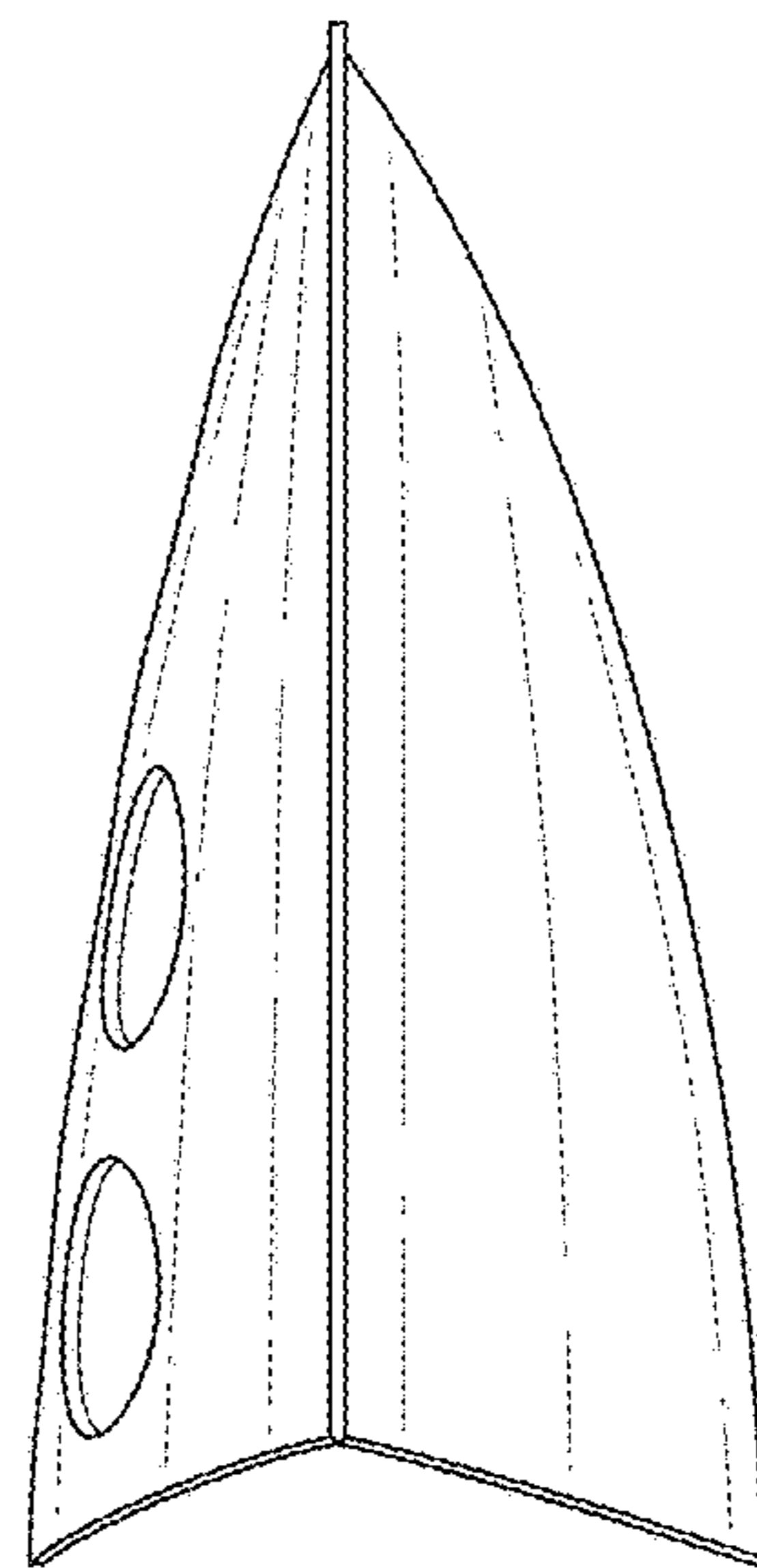


Fig. 4

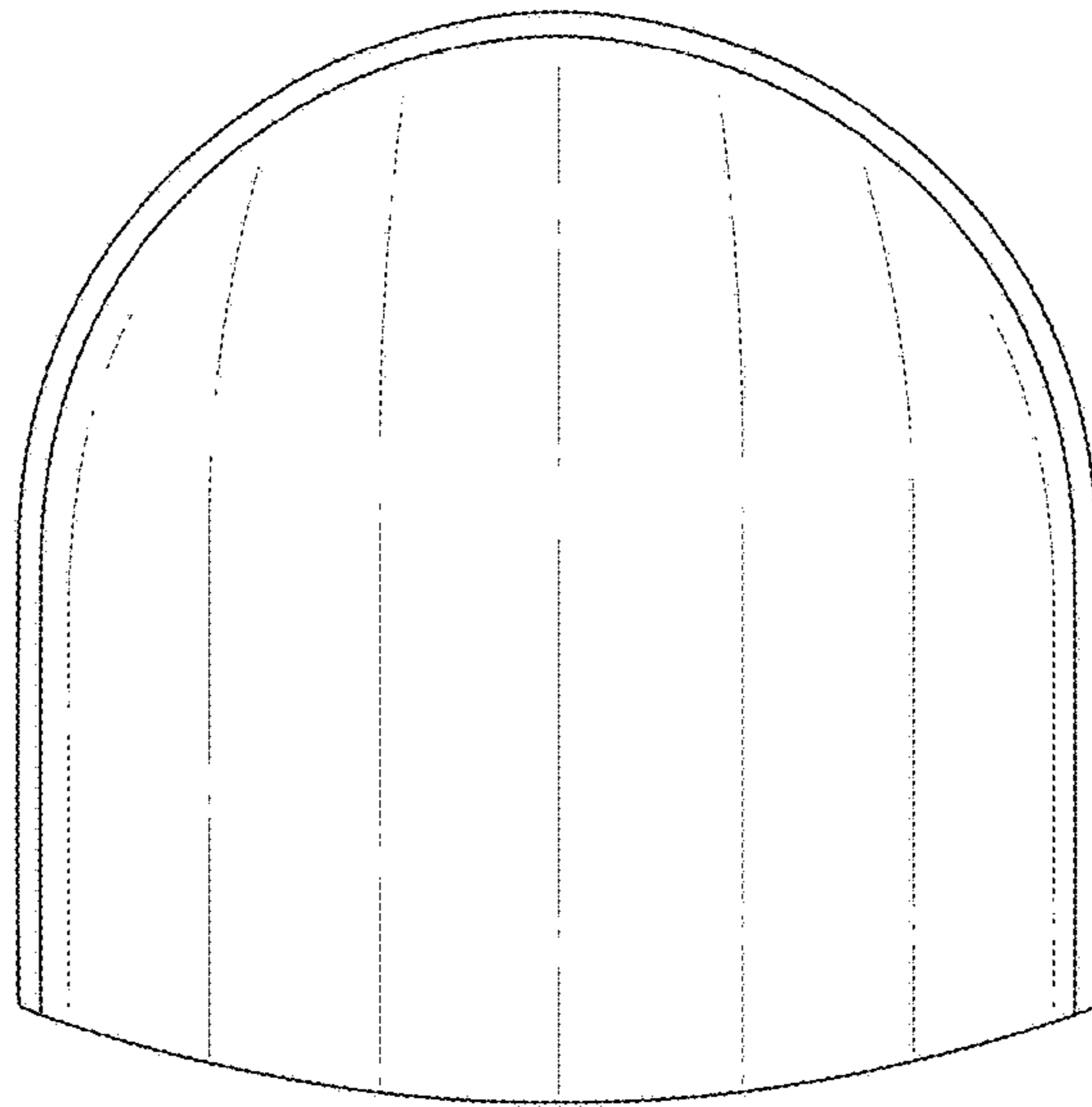


Fig. 5

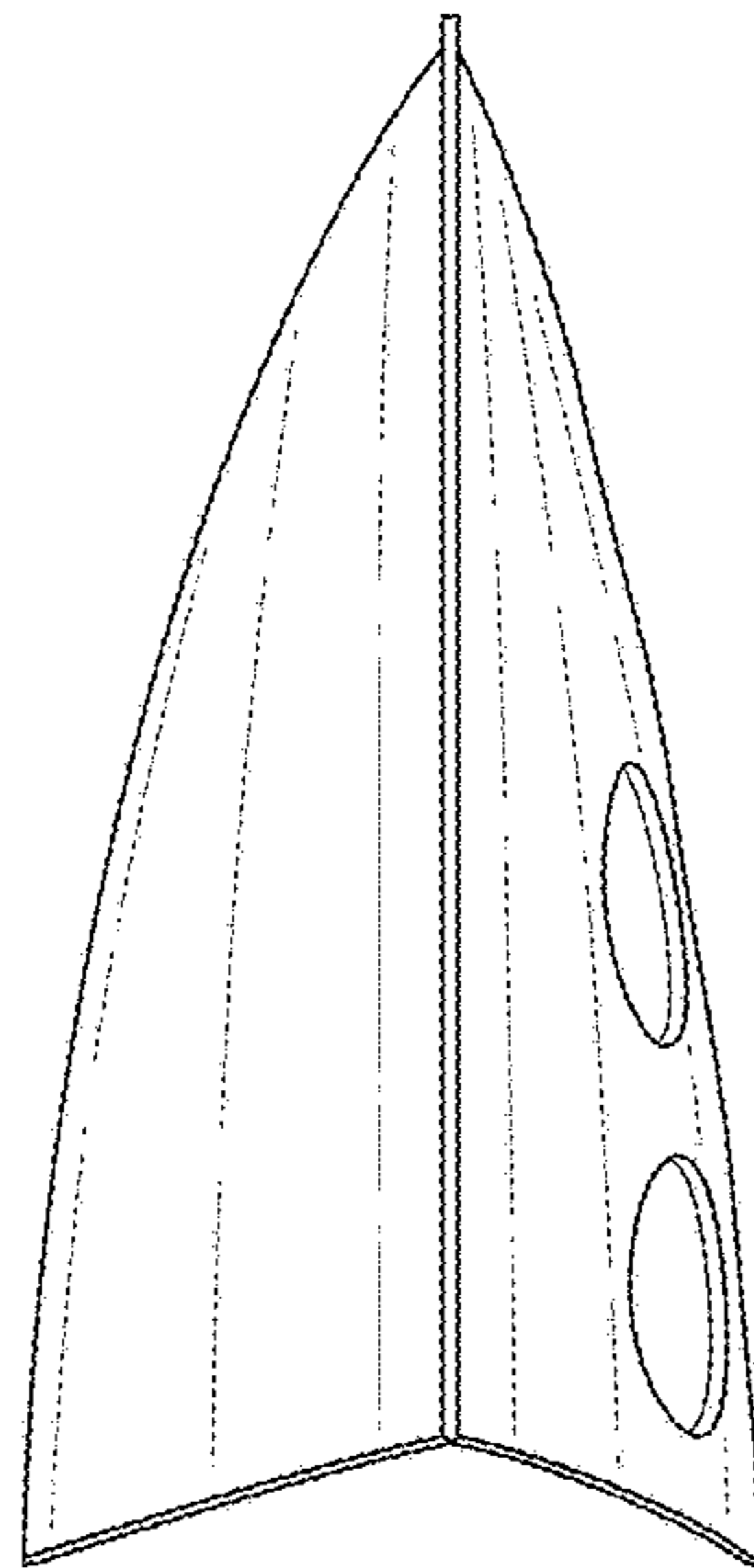


Fig. 6

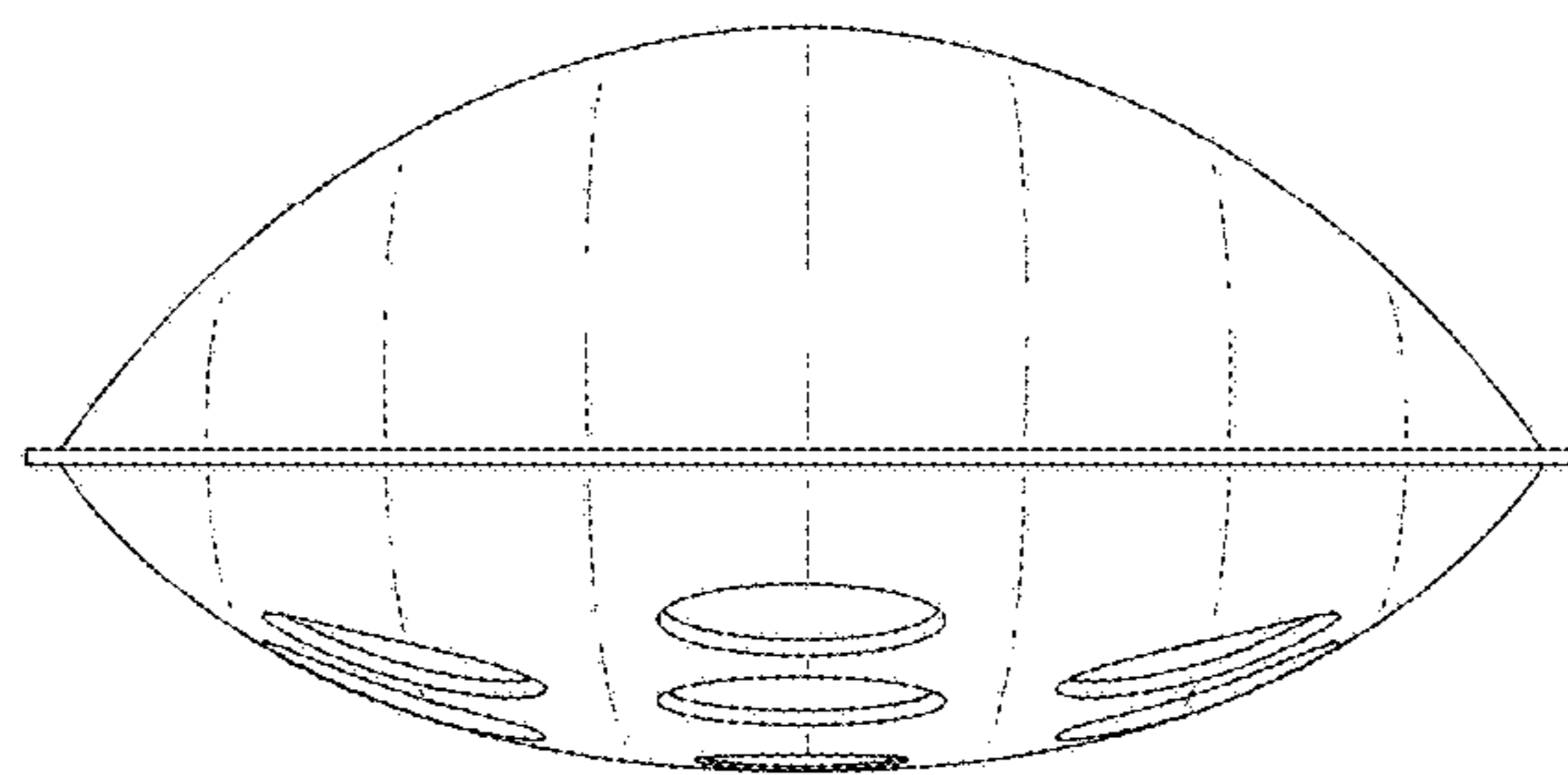


Fig. 7

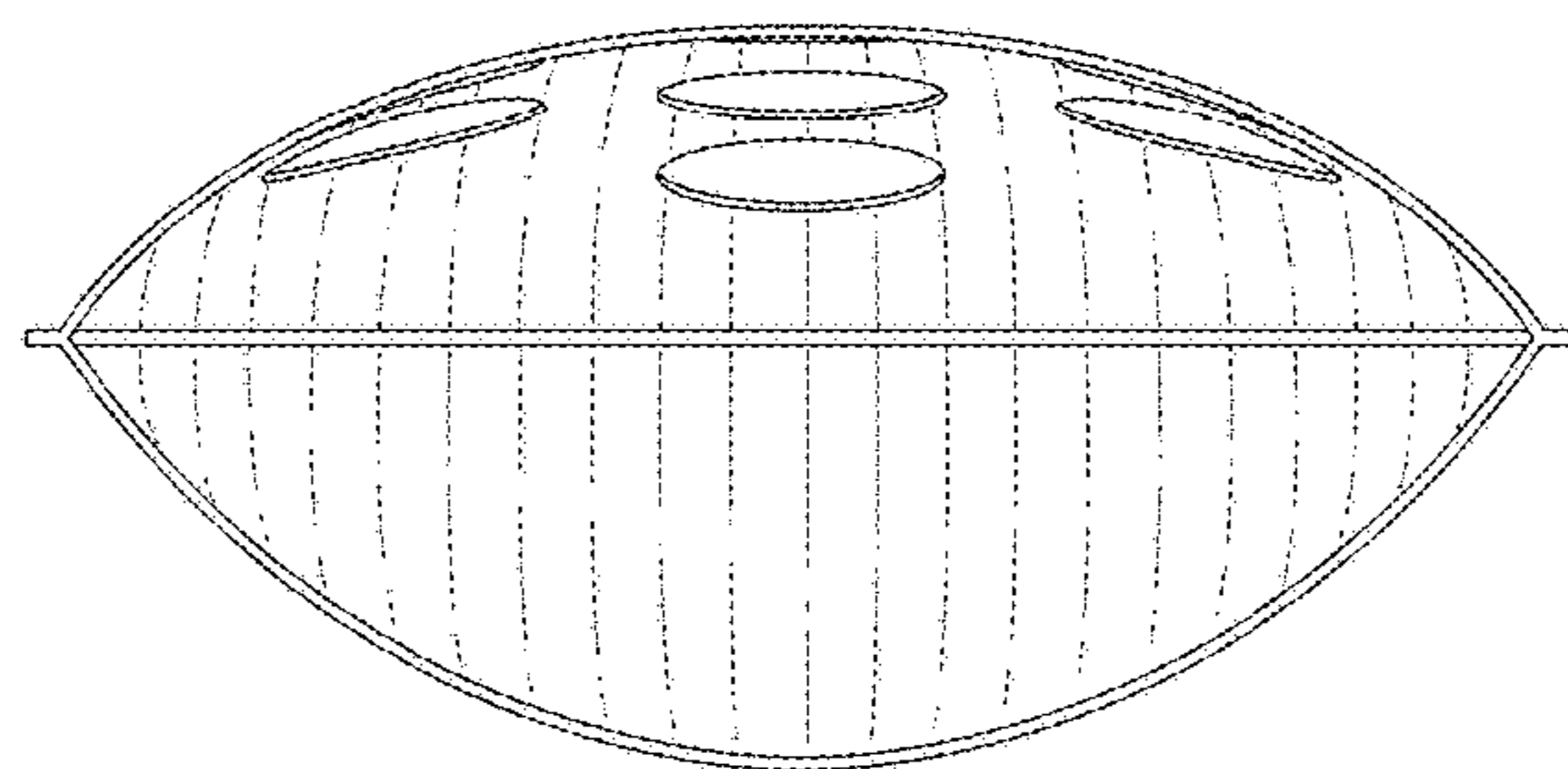


Fig. 8