



US00D845428S

(12) **United States Design Patent** (10) **Patent No.:** **US D845,428 S**
Robinson et al. (45) **Date of Patent:** **** Apr. 9, 2019**

(54) **SHEATH**
(71) Applicant: **WHG Properties, LLC**, North Wales, PA (US)
(72) Inventors: **Frank E. Robinson**, Schwenksville, PA (US); **William H. Geissele**, Lower Gwynedd, PA (US)
(73) Assignee: **WHG Properties, LLC**, North Wales, PA (US)
(**) Term: **15 Years**
(21) Appl. No.: **29/589,089**
(22) Filed: **Dec. 28, 2016**
(51) **LOC (11) Cl.** **22-02**
(52) **U.S. Cl.**
USPC **D22/118; D3/220**
(58) **Field of Classification Search**
USPC D22/118, 117; D3/220; 30/151, 162; D8/98, 99
CPC A45F 5/14; A45F 5/021; A45F 2200/0591; B26B 29/025; Y10S 224/904
See application file for complete search history.

D378,243 S * 3/1997 Seber D3/220
5,647,130 A 7/1997 Collins
D384,724 S 10/1997 Uke et al.
6,053,929 A 4/2000 Cohn et al.
D448,442 S 9/2001 Cheng
6,457,240 B1 * 10/2002 Liu B26B 29/025 224/232
D467,634 S * 12/2002 Eickhorn D22/118
D476,394 S * 6/2003 Trbovich, Jr. D22/118
D491,622 S 6/2004 Hadley et al.
D714,047 S * 9/2014 Ko D3/220
D724,312 S * 3/2015 Wikstrom D3/220
D746,585 S * 1/2016 Burge D3/220
D816,431 S * 5/2018 Yeh D7/638
D831,953 S * 10/2018 Dobbs D3/220
2013/0026054 A1 1/2013 Adams

* cited by examiner

Primary Examiner — David G Muller

(74) *Attorney, Agent, or Firm* — Fox Rothschild LLP

(57) **CLAIM**

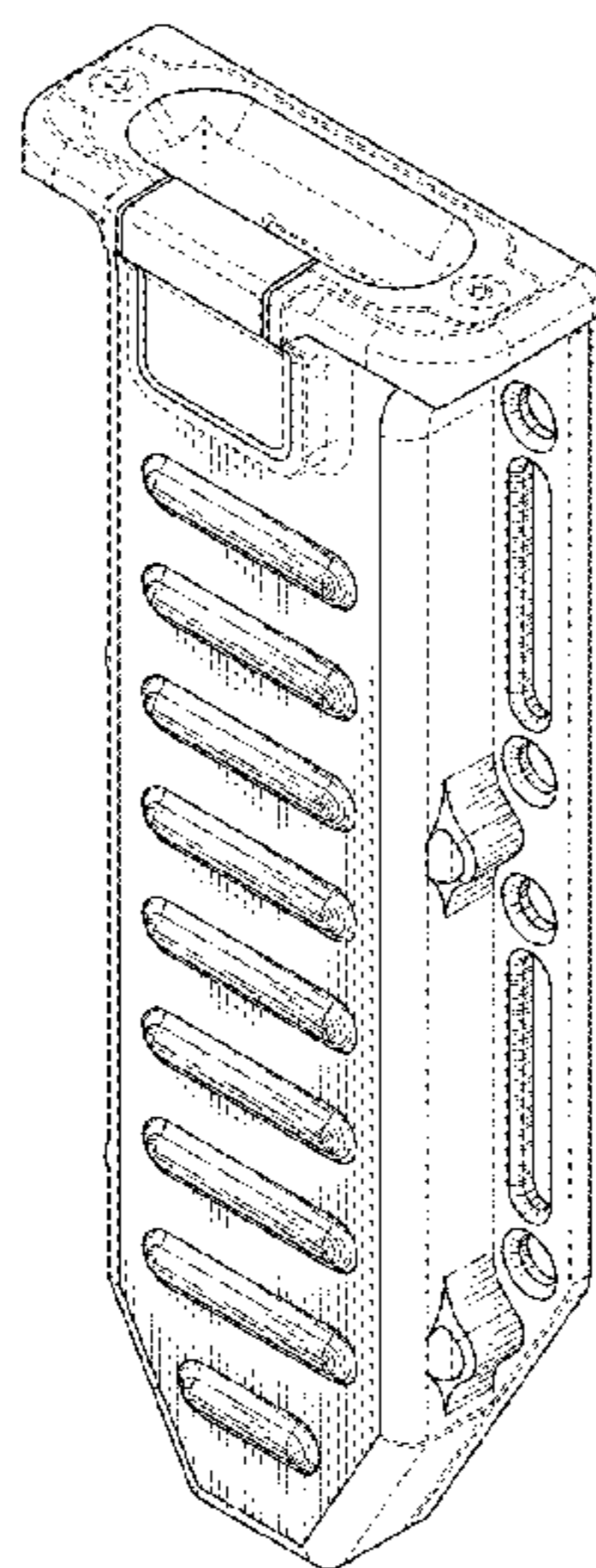
The ornamental design for a sheath, as shown and described.

DESCRIPTION

FIG. 1 is a top, rear, right side perspective view of a sheath according to the present disclosure;
FIG. 2 is a front view of the sheath of FIG. 1;
FIG. 3 is a rear view of the sheath of FIG. 1;
FIG. 4 is a left side view of the sheath of FIG. 1;
FIG. 5 is a right side view of the sheath of FIG. 1;
FIG. 6 is a top view of the sheath of FIG. 1;
FIG. 7 is a bottom view of the sheath of FIG. 1; and,
FIG. 8 is a top, rear, right side perspective view of the sheath of FIG. 1.
The broken lines in the Figures illustrate portions of the article that form no part of the claimed design.

1 Claim, 6 Drawing Sheets

(56) **References Cited**
U.S. PATENT DOCUMENTS
2,999,268 A 9/1961 Strandengen
4,835,863 A * 6/1989 Salandre B26B 29/025 224/232
4,998,350 A 3/1991 Thompson
D317,037 S 5/1991 Koshiishi
D321,548 S * 11/1991 Collins D22/118
5,086,561 A 2/1992 Nathan
D334,791 S 4/1993 Collins
5,255,436 A 10/1993 Yoshida
5,379,520 A * 1/1995 Collins B26B 29/025 224/232
D369,673 S * 5/1996 Morton D3/220



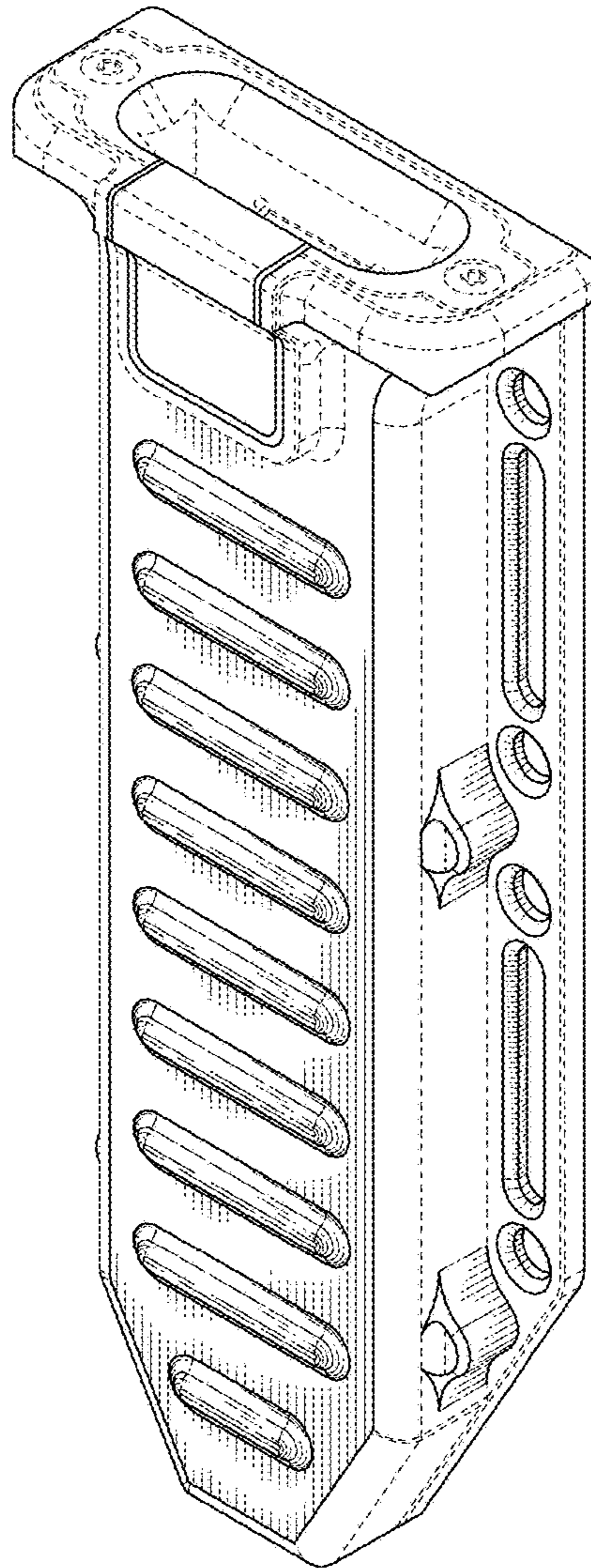


FIG. 1

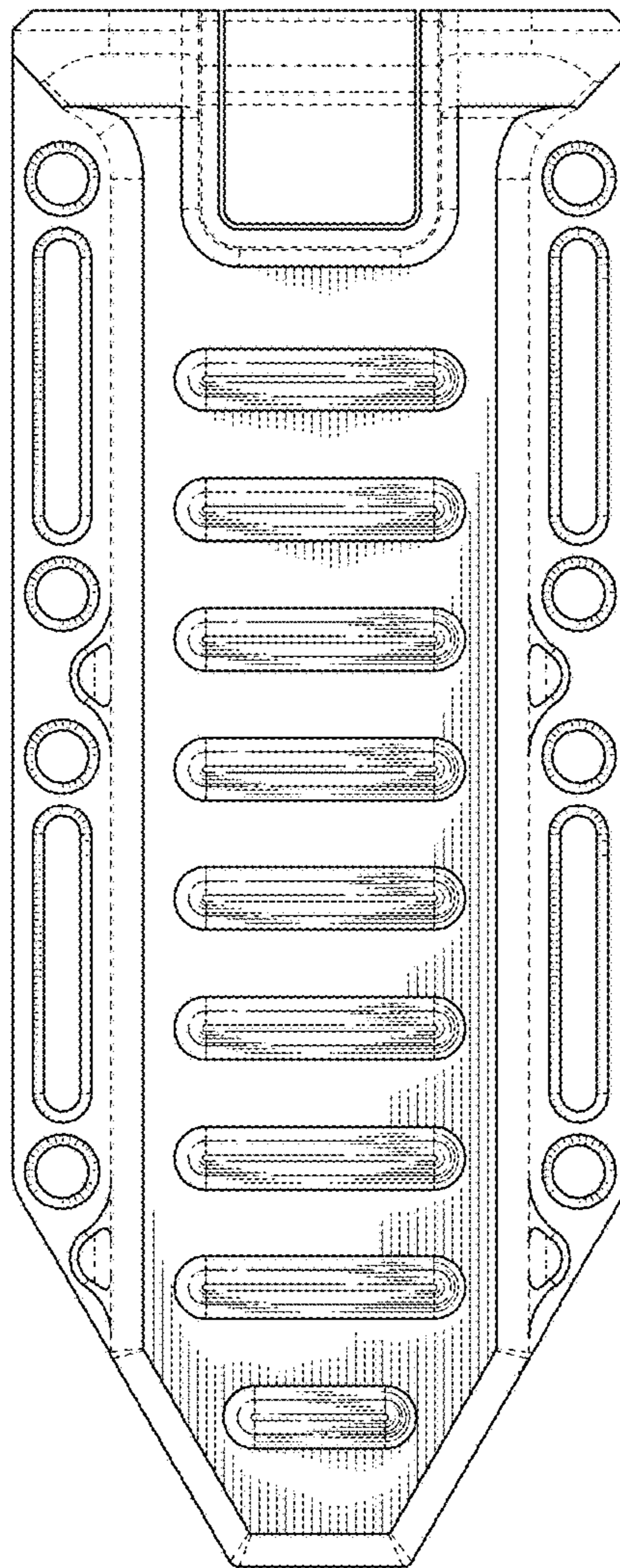


FIG. 2

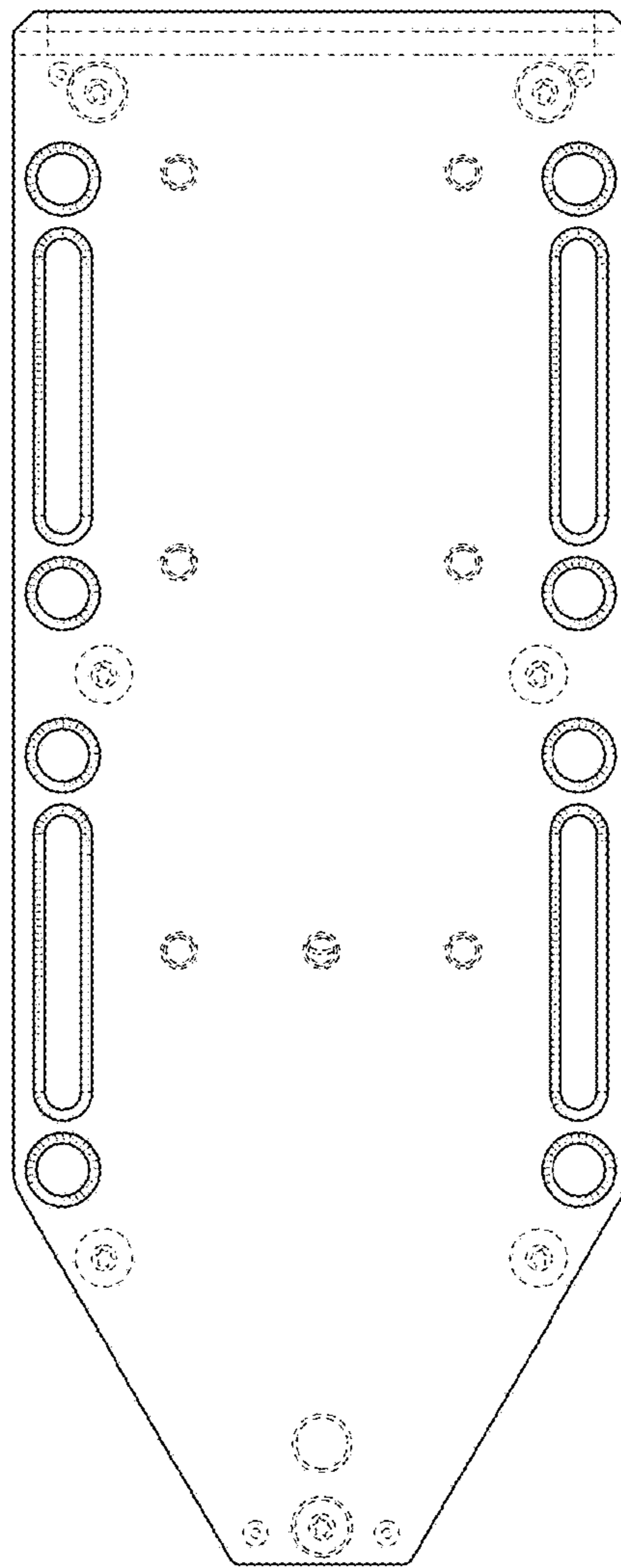


FIG. 3

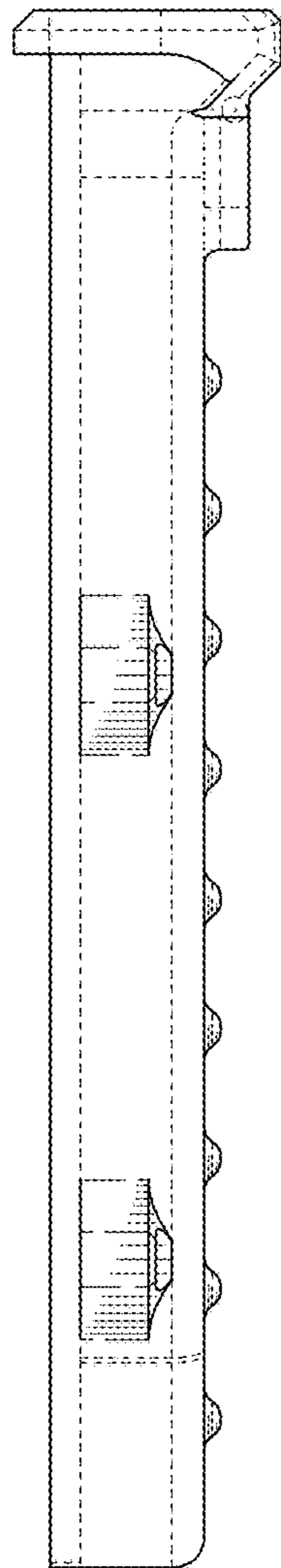


FIG. 4

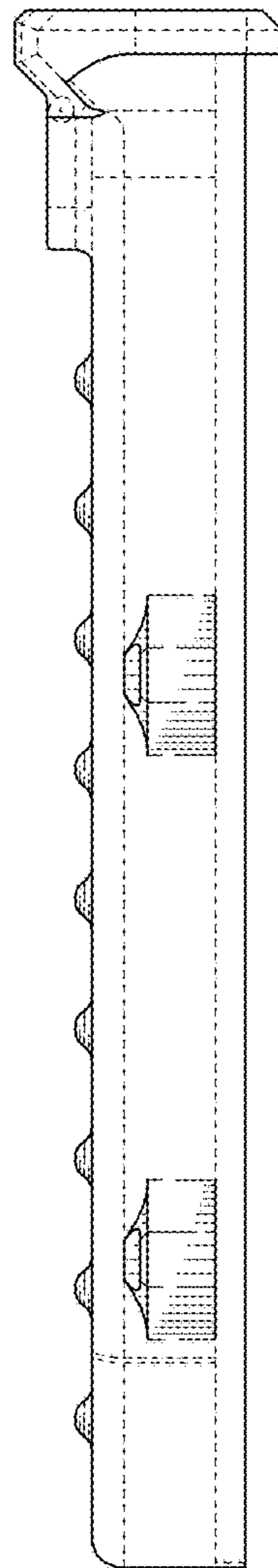


FIG. 5

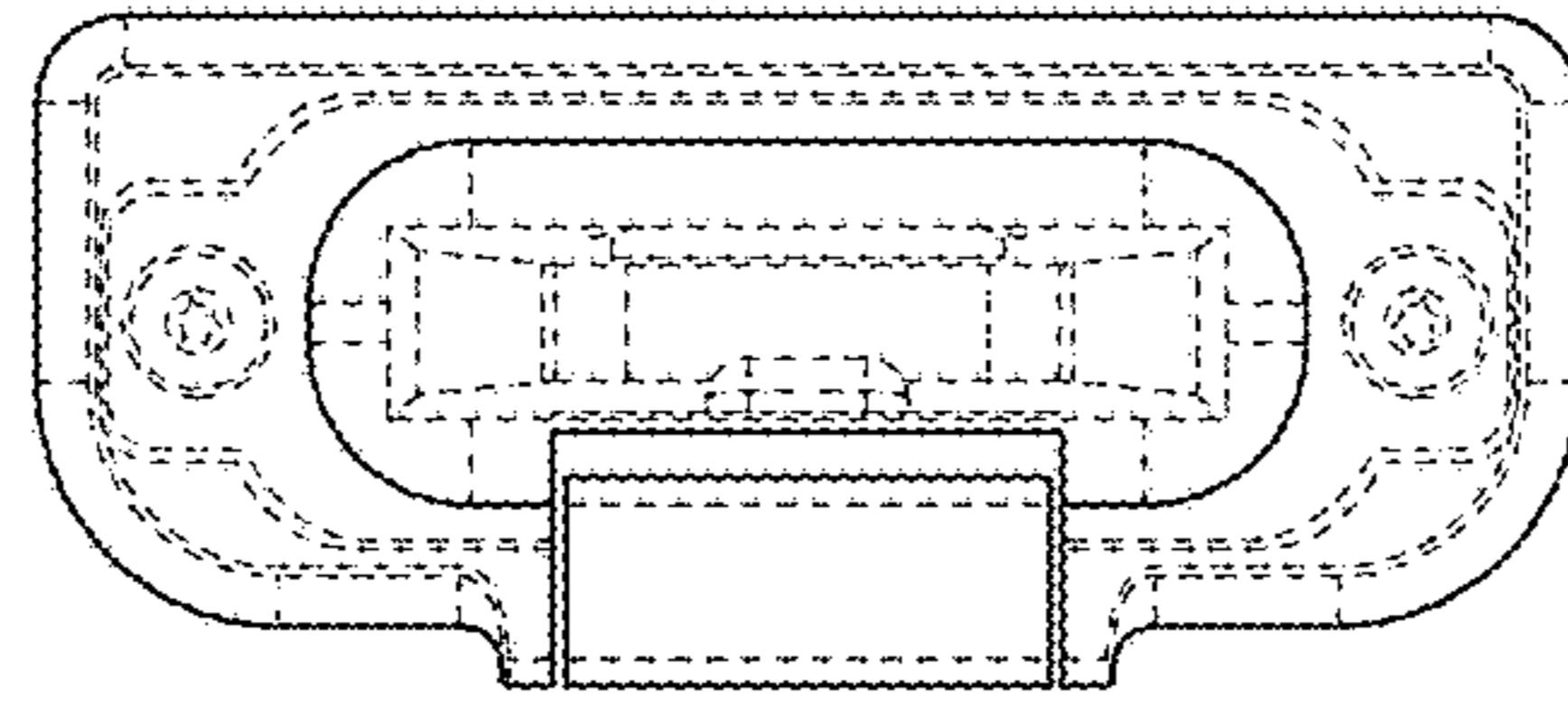


FIG. 6

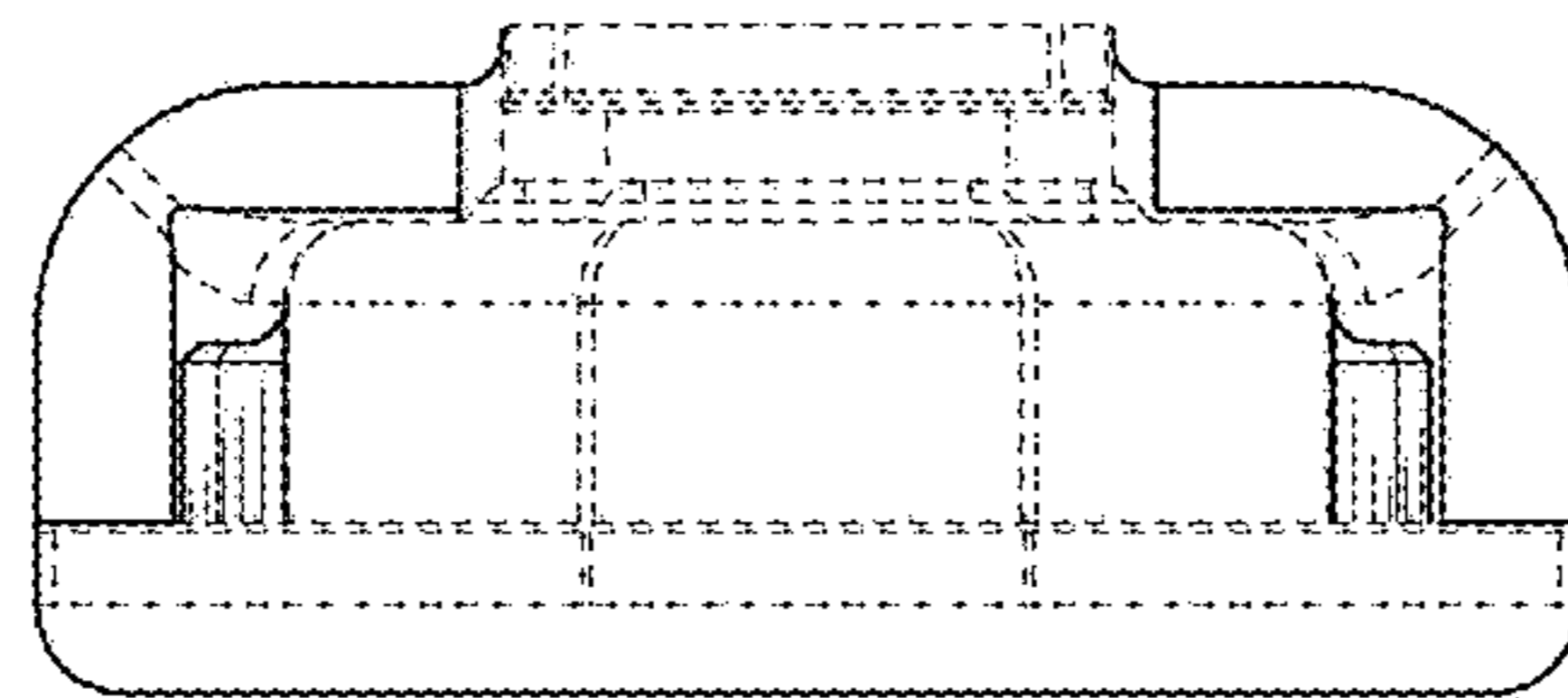


FIG. 7

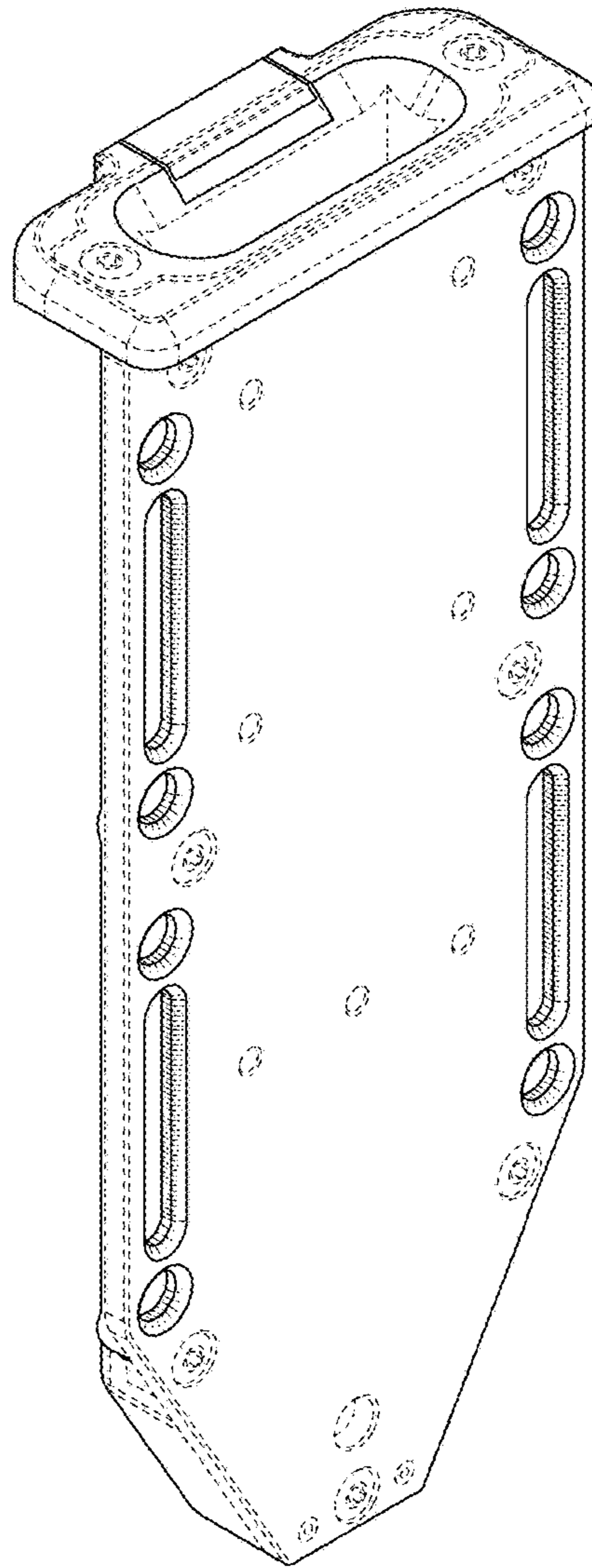


FIG. 8