



US00D845425S

(12) **United States Design Patent**
Yaxley et al.

(10) **Patent No.:** **US D845,425 S**
(45) **Date of Patent:** **** Apr. 9, 2019**

(54) **SPEED LOADER FOR A REVOLVER STYLE FIREARM**

(71) Applicants: **Chason Yaxley**, Sterling Heights, MI (US); **Kenneth Robert Yaxley**, Sterling Heights, MI (US)

(72) Inventors: **Chason Yaxley**, Sterling Heights, MI (US); **Kenneth Robert Yaxley**, Sterling Heights, MI (US)

(**) Term: **15 Years**

(21) Appl. No.: **29/635,117**

(22) Filed: **Jan. 29, 2018**

(51) **LOC (11) Cl.** **22-01**

(52) **U.S. Cl.**
USPC **D22/108**

(58) **Field of Classification Search**
USPC D22/104–105, 107–110, 199;
D21/571–575
CPC F42B 39/002; F42B 39/04; F42B 39/08;
F41A 9/85
See application file for complete search history.

(56) **References Cited**

U.S. PATENT DOCUMENTS

891,374 A	6/1908	Ruszitszka	
913,393 A *	2/1909	Kellogg	F41A 9/85
			42/89
2,467,571 A *	4/1949	Webb	F42B 39/08
			89/33.2
2,578,706 A *	12/1951	Kinzelman	F42B 39/08
			89/35.01
2,804,807 A *	9/1957	Dixon	F42B 39/08
			89/35.01
3,213,559 A *	10/1965	Matich	F41A 9/85
			206/3
3,706,260 A	12/1972	Rausing	

4,114,511 A *	9/1978	Patenaude	F42B 39/08
			198/803.8
4,254,571 A *	3/1981	Peter	F41A 9/85
			42/89
4,325,198 A	4/1982	Muck et al.	
		(Continued)	

OTHER PUBLICATIONS

CK Tactical, Ripcord Speedloader TM Patent Pending, posted at YouTube, posting date Sep. 20, 2018. [Site visited Oct. 24, 2018] URL: <https://www.youtube.com/watch?v=L4QY9tJrm_A> (Year: 2018).*

(Continued)

Primary Examiner — Kevin K Rudzinski
Assistant Examiner — Kathleen L Jones
(74) *Attorney, Agent, or Firm* — Dinsmore & Shohl, LLP

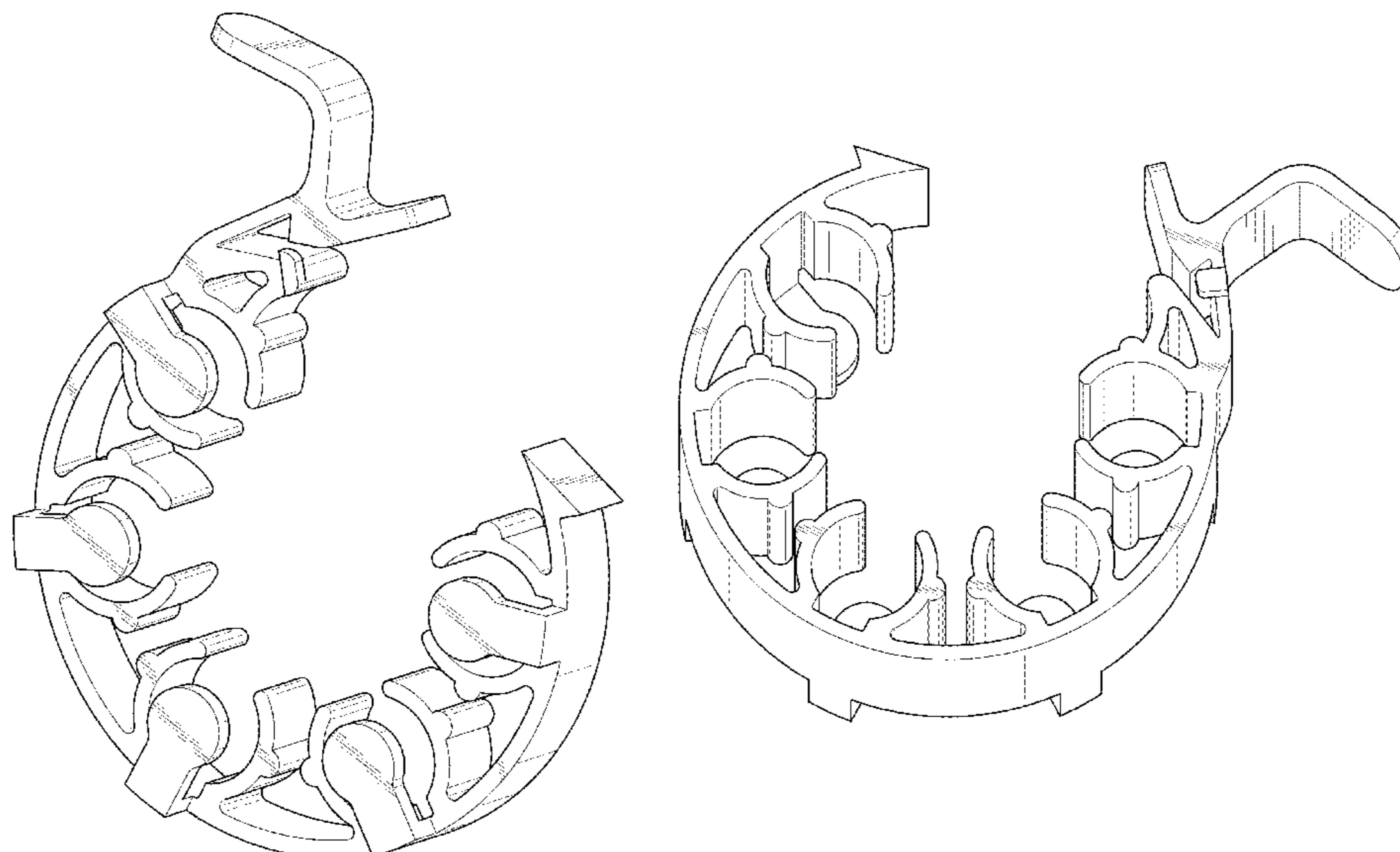
(57) **CLAIM**

The ornamental design for a speed loader for a revolver style firearm, as shown and described.

DESCRIPTION

FIG. 1 is a front perspective view of the speed loader for a revolver style firearm shown in an opened position; FIG. 2 is another front perspective view thereof; FIG. 3 is a rear perspective view thereof; FIG. 4 is a rear elevation view thereof; FIG. 5 is a left side view thereof; FIG. 6 is a right side view thereof; FIG. 7 is a front elevation view thereof; FIG. 8 is a top plan view thereof; FIG. 9 is a bottom plan view thereof; and, FIG. 10 is a rear perspective view thereof showing the Speed Loader for a revolver style firearm in a latched position with a plurality of bullets shown in broken lines forming no part of the claimed design. The broken lines shown in the drawings illustrate features of the article to which the design is applied or in which the design is embodied that form no part of the claim.

1 Claim, 8 Drawing Sheets



(56)

References Cited

U.S. PATENT DOCUMENTS

4,402,153 A * 9/1983 Peter F41A 9/85
42/89
4,614,053 A 9/1986 Billman
4,862,622 A 9/1989 Goyanes
D375,778 S * 11/1996 Hasselbusch D22/108
D406,303 S * 3/1999 Ramsey D22/100
5,953,845 A * 9/1999 Longwitz F41A 9/85
42/89
6,665,974 B1 * 12/2003 Anderson F41A 9/83
42/89
D503,209 S * 3/2005 Beckham D22/108
7,363,845 B2 4/2008 McClellan
D597,403 S * 8/2009 Ho D8/356
D606,157 S * 12/2009 Swan D22/108
9,121,653 B1 * 9/2015 Martin F41A 9/85
9,835,396 B1 * 12/2017 Sherman F41A 9/85
2007/0044363 A1 * 3/2007 McClellan F41A 9/85
42/87
2014/0082984 A1 * 3/2014 Kent F41A 9/83
42/88

OTHER PUBLICATIONS

HKS Revolver Speedloader 27-A, posted at Triggers and Bows,
posting date not available. [Site visited Oct. 24, 2018] URL:
<<https://shop.triggersandbows.com/hks-hks-revolver-speedloader-27-a.html>>.*

* cited by examiner

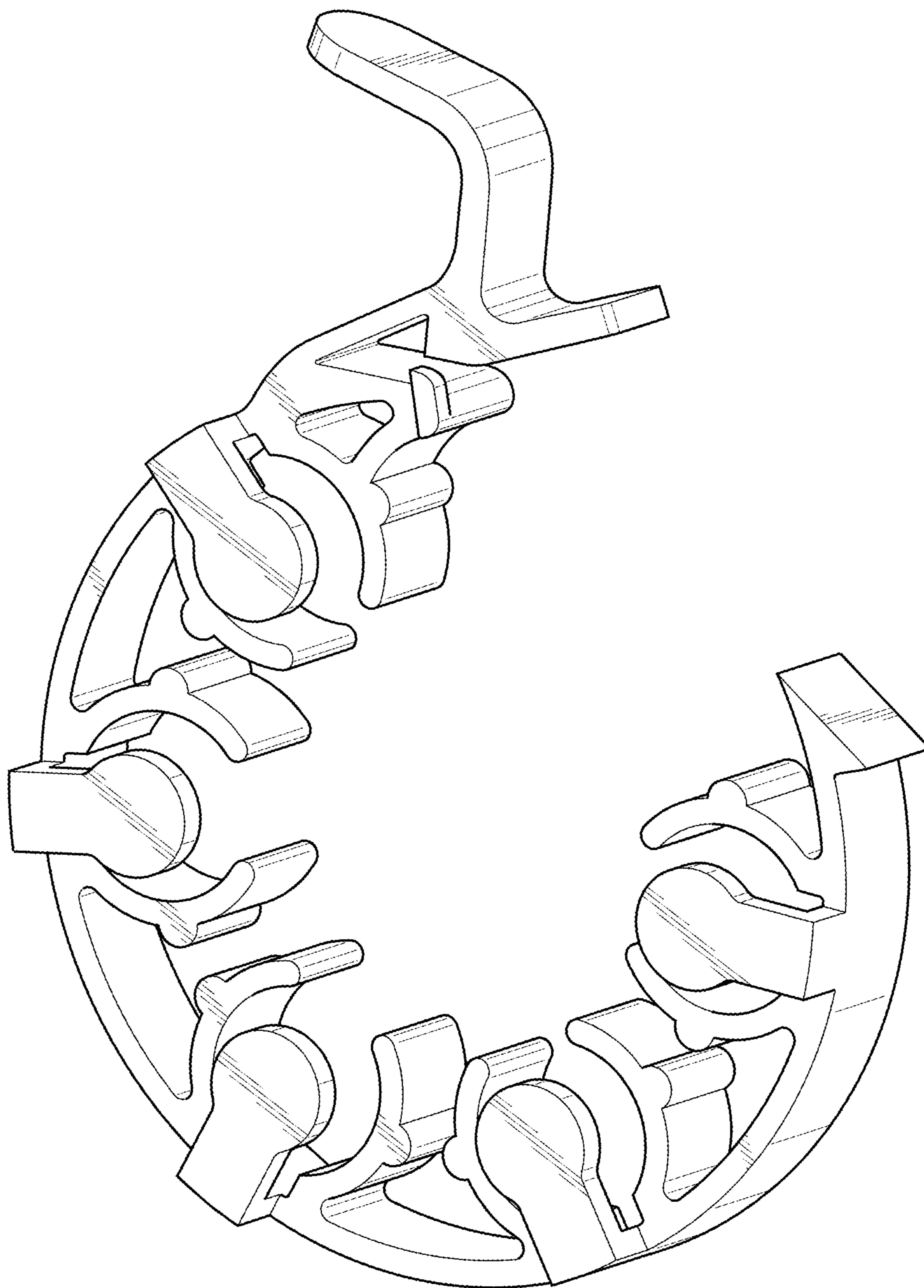


FIG. 1

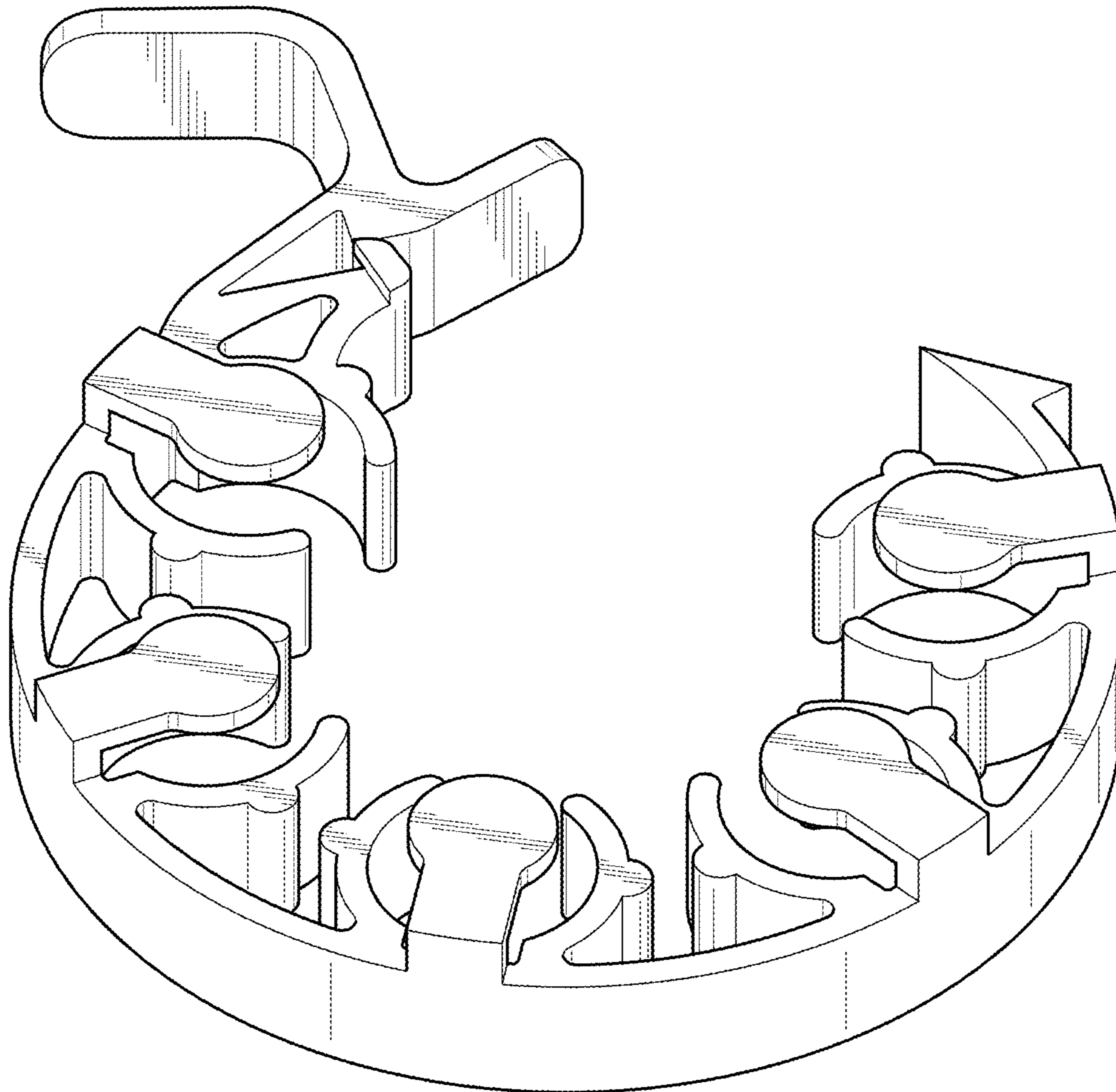


FIG. 2

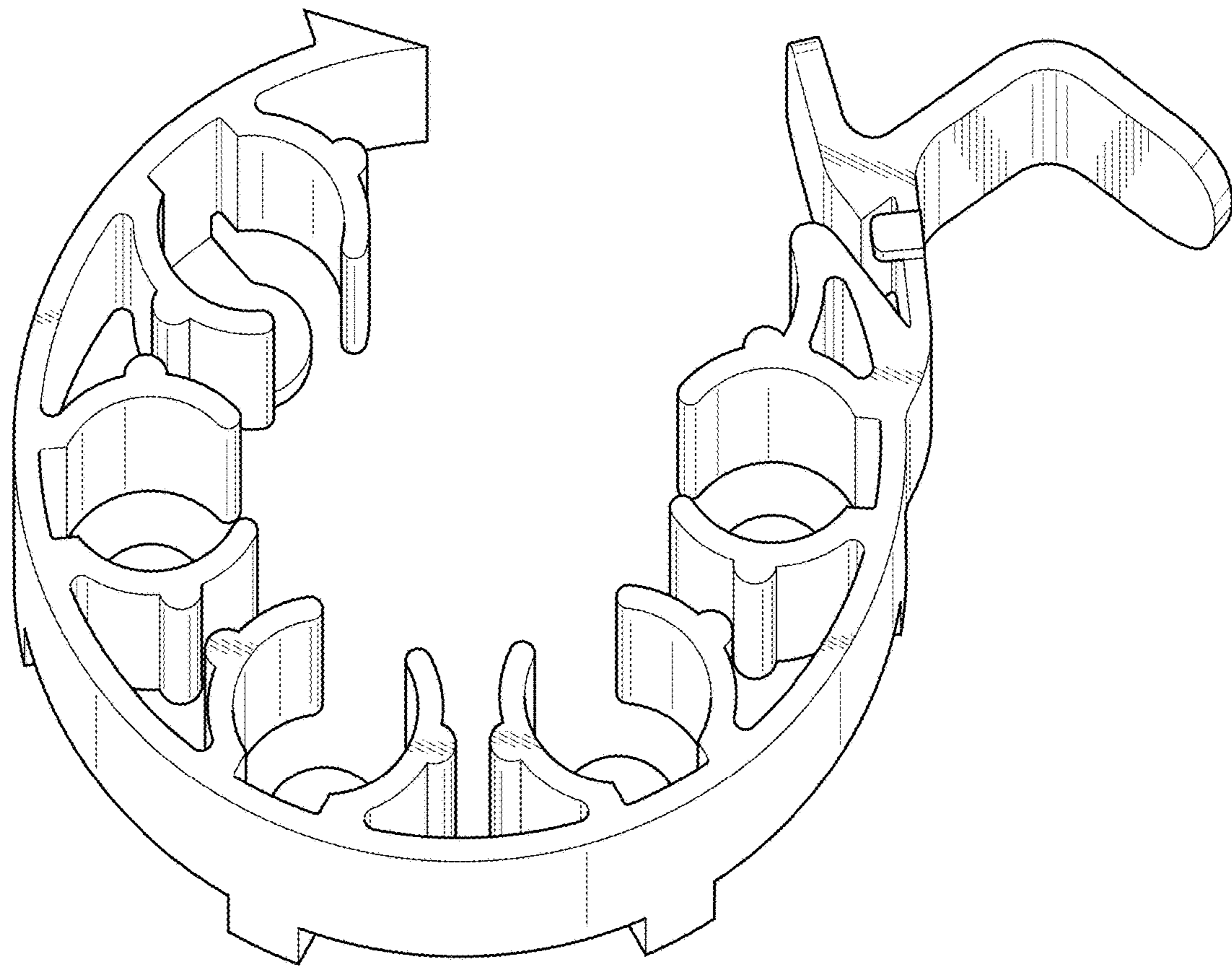


FIG. 3

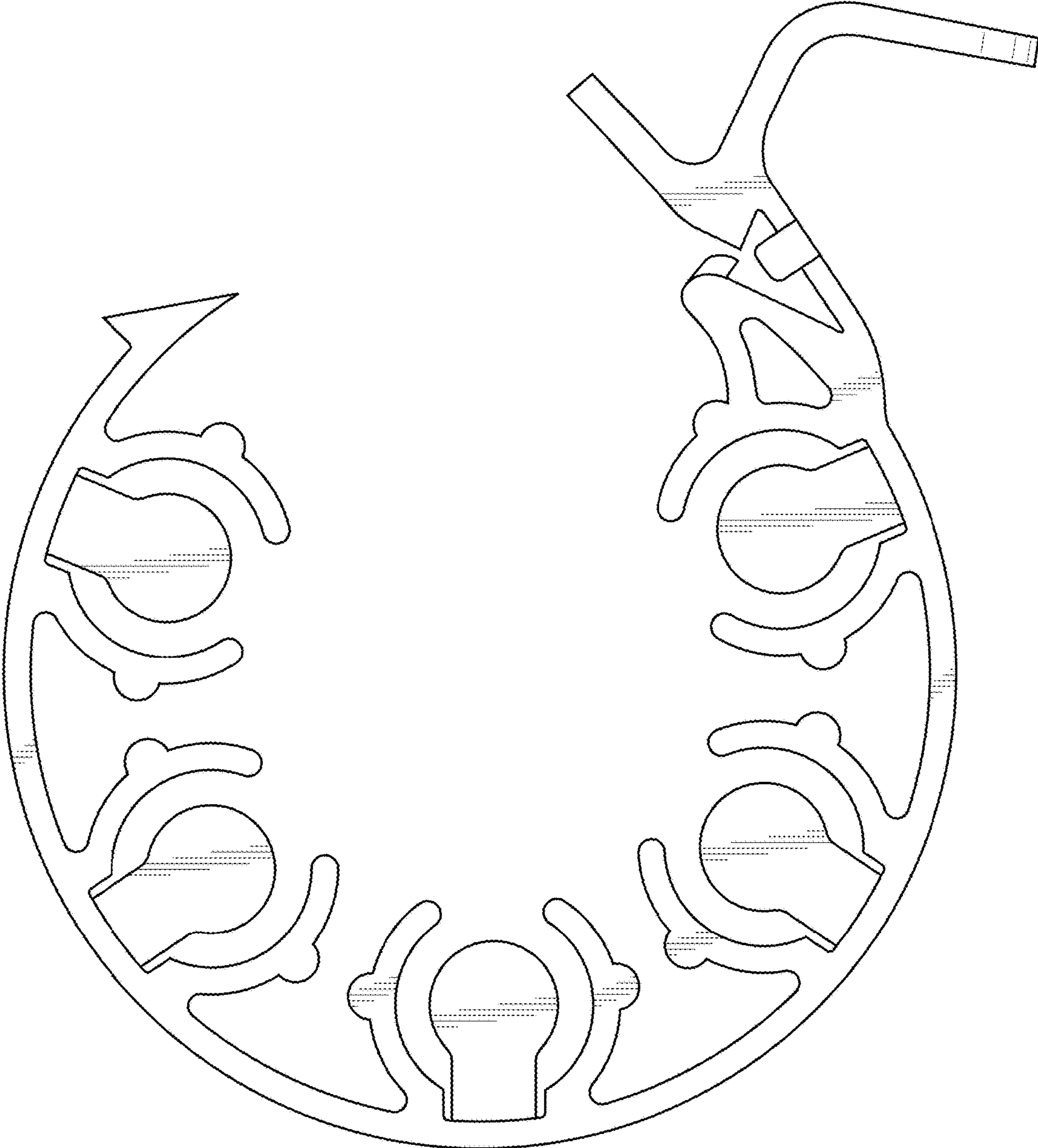


FIG. 4

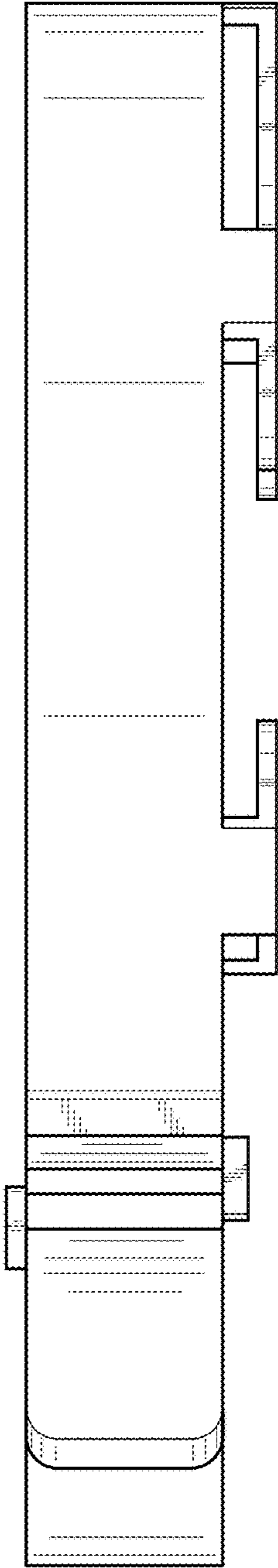


FIG. 5

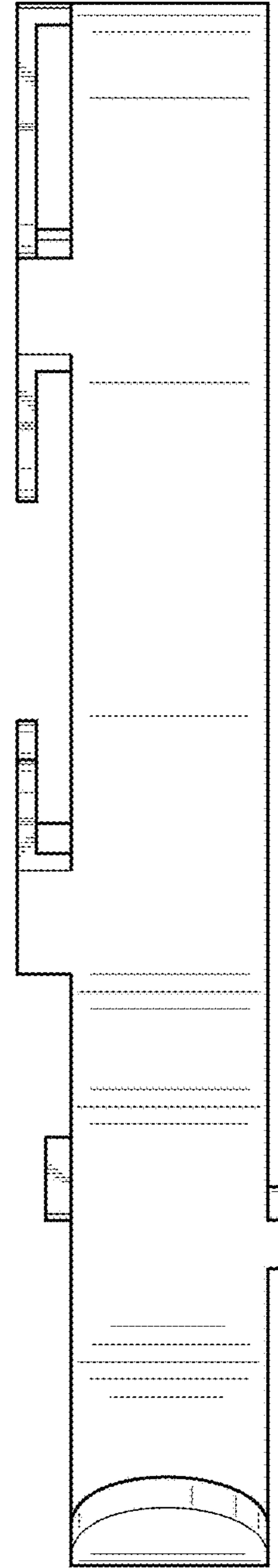


FIG. 6

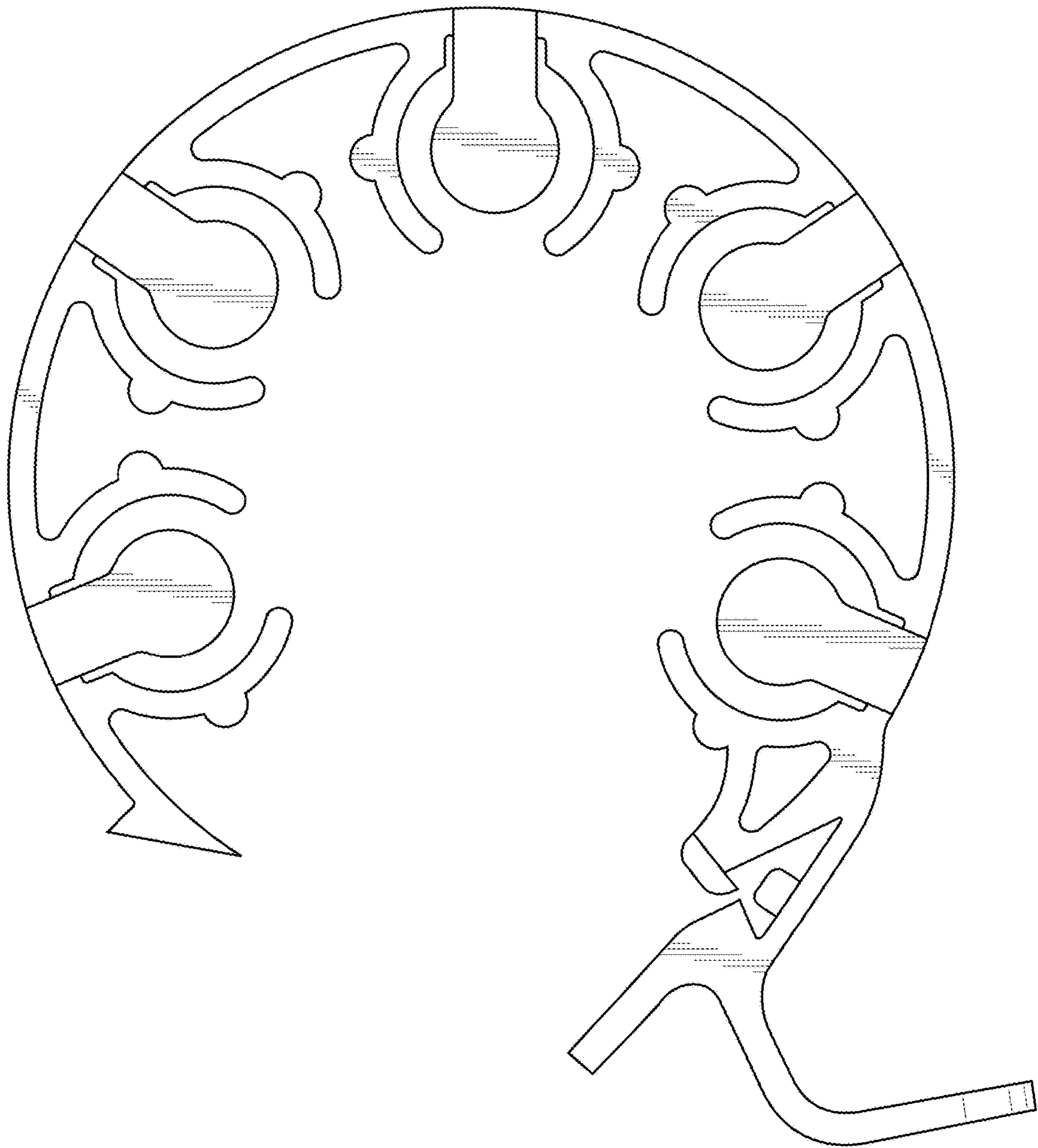


FIG. 7

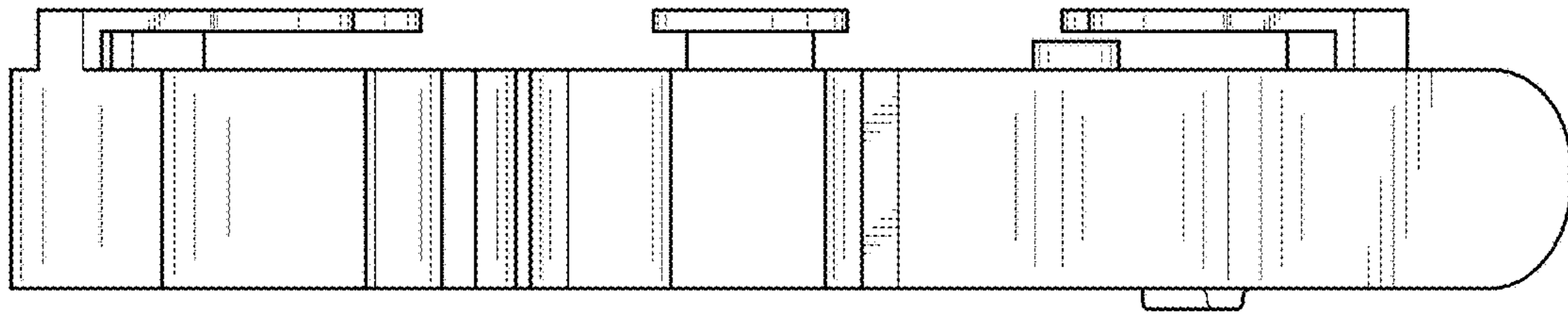


FIG. 8

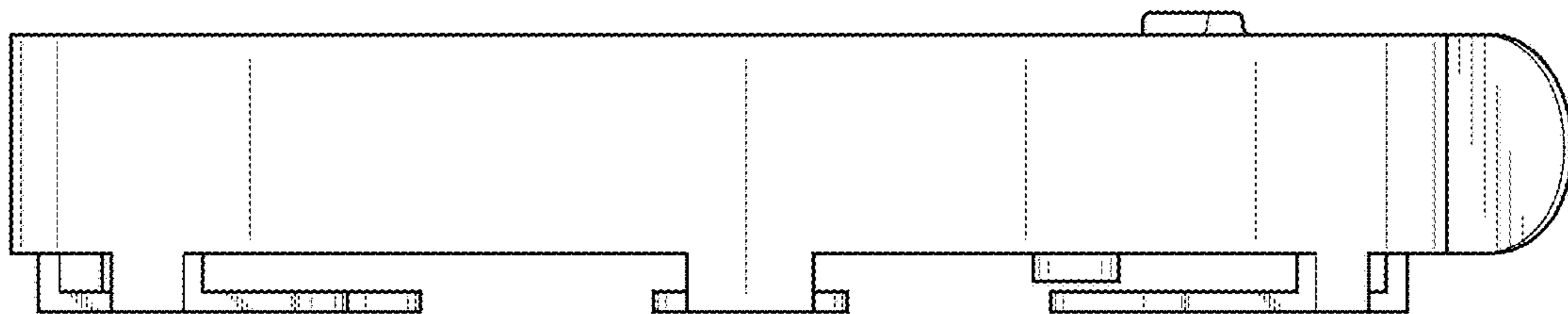


FIG. 9

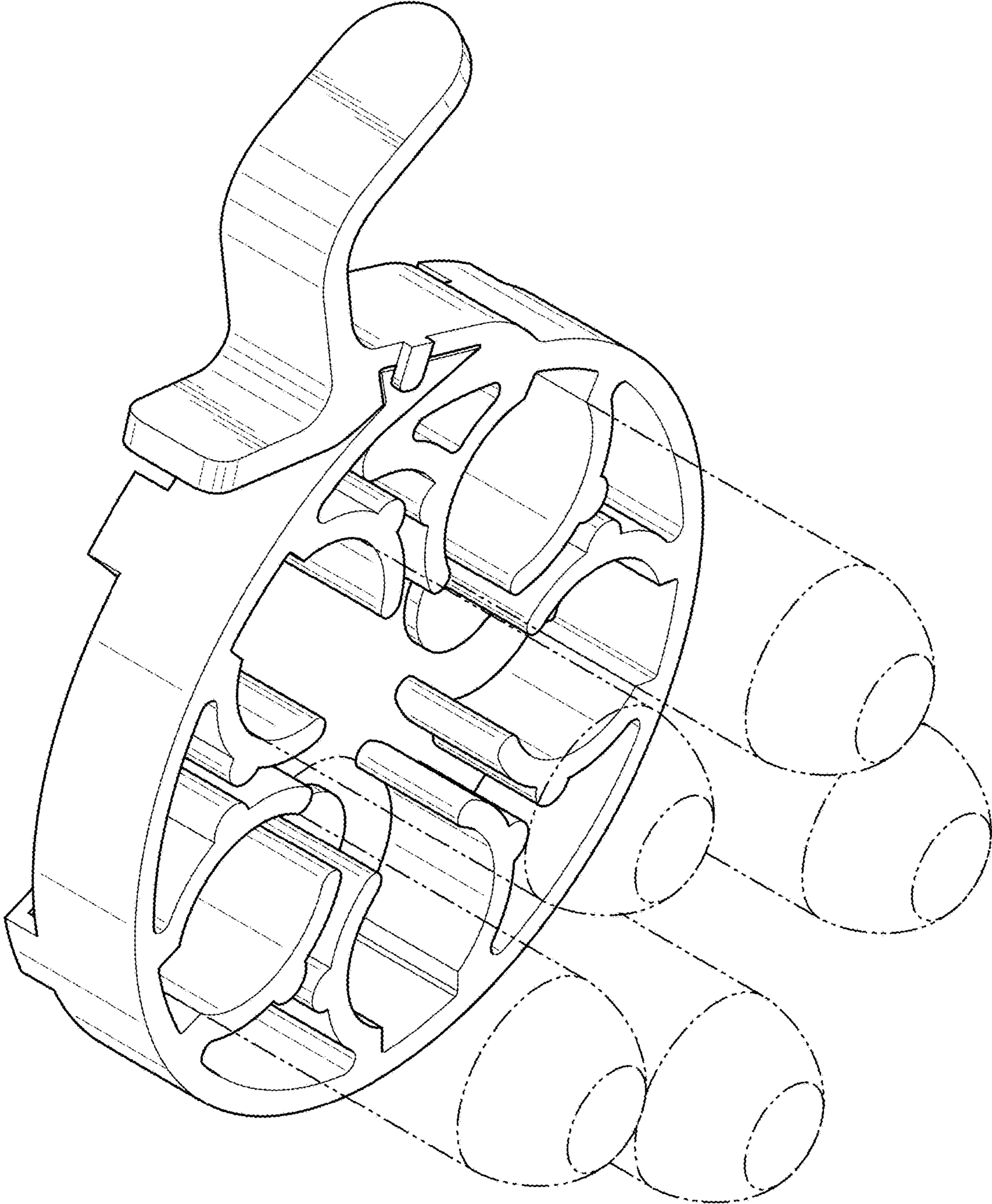


FIG. 10