

US00D845424S

(12) **United States Design Patent**
Hefer et al.

(10) **Patent No.:** **US D845,424 S**
(45) **Date of Patent:** **** Apr. 9, 2019**

- (54) **RIFLE MAGAZINE LOADER**
- (71) Applicant: **VISTA OUTDOOR OPERATIONS LLC**, Farmington, UT (US)
- (72) Inventors: **Brandon Thomas Hefer**, St. Louis, MO (US); **Brandon Karl Trostrud**, St. Louis, MO (US)
- (73) Assignee: **Vista Outdoor Operations LLC**, Farmington, UT (US)
- (**) Term: **15 Years**
- (21) Appl. No.: **29/591,046**
- (22) Filed: **Jan. 16, 2017**

Related U.S. Application Data

- (63) Continuation-in-part of application No. 29/578,177, filed on Sep. 19, 2016, which is a continuation-in-part of application No. 29/571,879, filed on Jul. 22, 2016, now Pat. No. Des. 818,554.
- (51) **LOC (11) Cl.** **22-01**
- (52) **U.S. Cl.**
USPC **D22/108**
- (58) **Field of Classification Search**
USPC D22/108
CPC F41A 9/83; F41A 9/82
See application file for complete search history.

References Cited

U.S. PATENT DOCUMENTS

1,085,125 A	1/1914	Hoagland
1,786,537 A	12/1930	Holek
1,840,477 A	1/1932	Frommer
2,014,177 A	9/1935	Herlach et al.
2,137,491 A	11/1938	Huff
2,191,130 A	2/1940	Ludwig
2,210,931 A	8/1940	Harris

2,345,593 A	4/1944	Garand
2,362,109 A	11/1944	Whitmore
2,394,033 A	2/1946	Wossum
2,403,012 A	7/1946	McPheters
2,451,521 A	10/1948	Uglum
2,452,600 A	11/1948	Pool et al.
2,462,836 A	3/1949	Barker et al.
2,466,017 A	4/1949	Farber
2,493,048 A	1/1950	Wangrow
2,514,277 A	7/1950	Donallan
2,531,387 A	11/1950	Bilodeau
2,659,173 A	11/1953	Capito
2,783,570 A	3/1957	Kunz
2,803,985 A	8/1957	Hull
2,830,498 A	4/1958	Maillard
2,834,137 A	5/1958	Kunz
2,856,720 A	10/1958	Kunz
2,862,324 A	12/1958	Ball

(Continued)

Primary Examiner — Michael A. Pratt

(74) *Attorney, Agent, or Firm* — Seyfarth Shaw LLP; Brian Michaelis

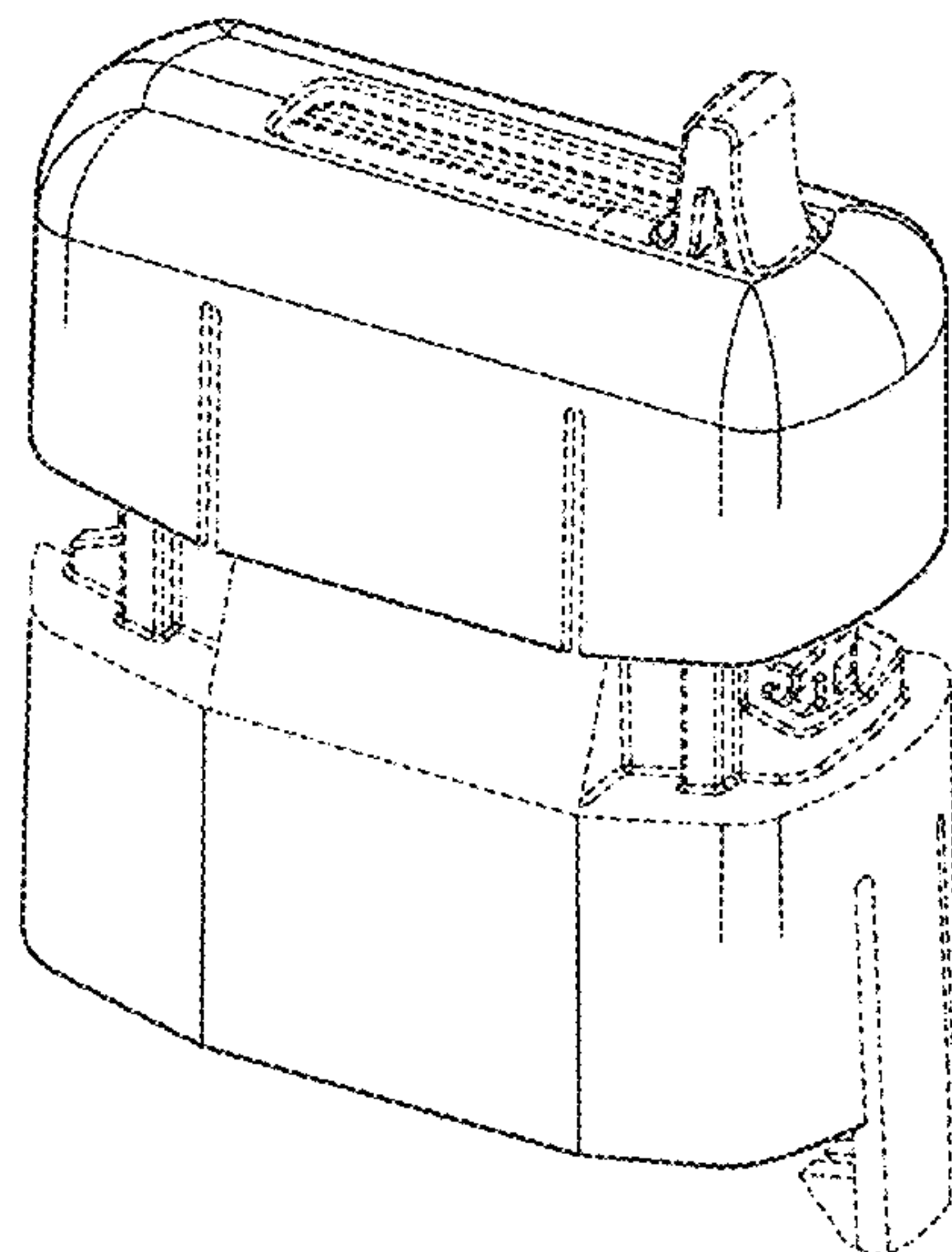
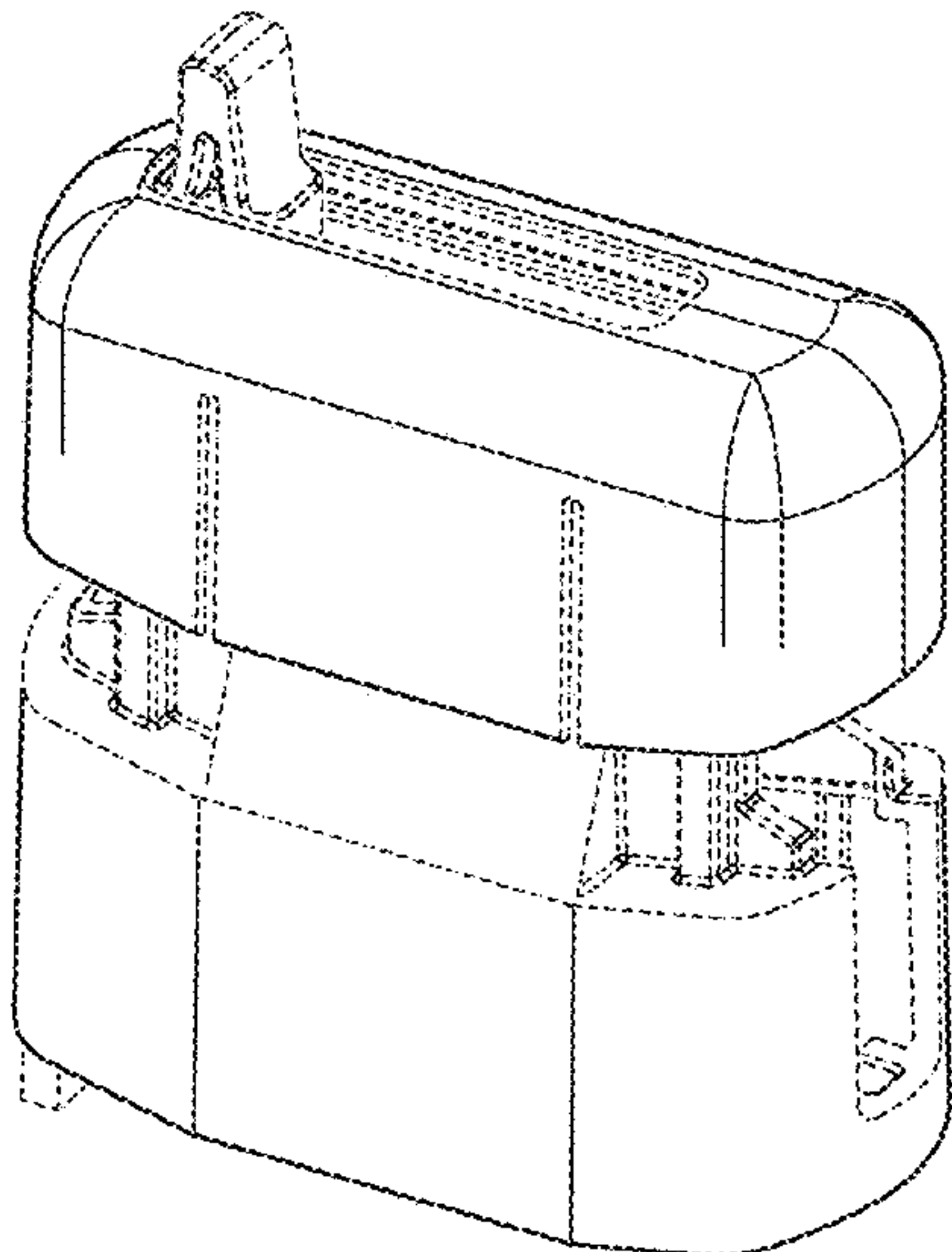
(57) **CLAIM**

We claim the ornamental design for a rifle magazine loader, as shown and described.

DESCRIPTION

FIG. 1 is a front, right side, top perspective view of a rifle magazine loader showing our new design;
 FIG. 2 is a rear, left side, top perspective view thereof;
 FIG. 3 is a front, right side, top perspective view thereof;
 FIG. 4 is a rear, left side, top perspective view thereof;
 FIG. 5 is a front, right side, top perspective view thereof;
 and,
 FIG. 6 is a rear, left side, top perspective view thereof.
 The bottom of the rifle magazine loader is not shown in the drawing and forms no part of the claimed design.
 Broken lines shown in the drawings illustrate structure or features which form no part of the claimed design.

1 Claim, 6 Drawing Sheets



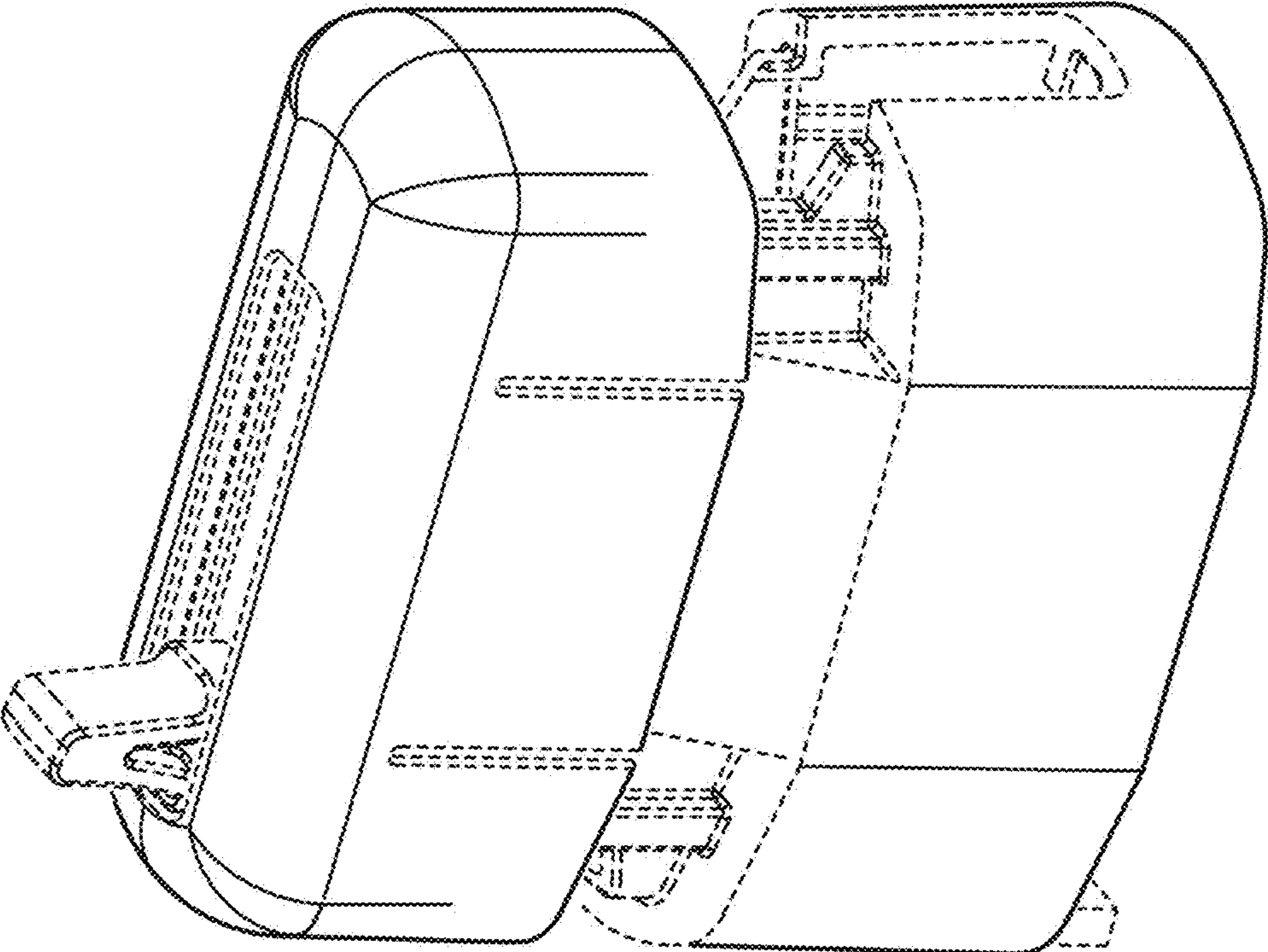


FIG. 1

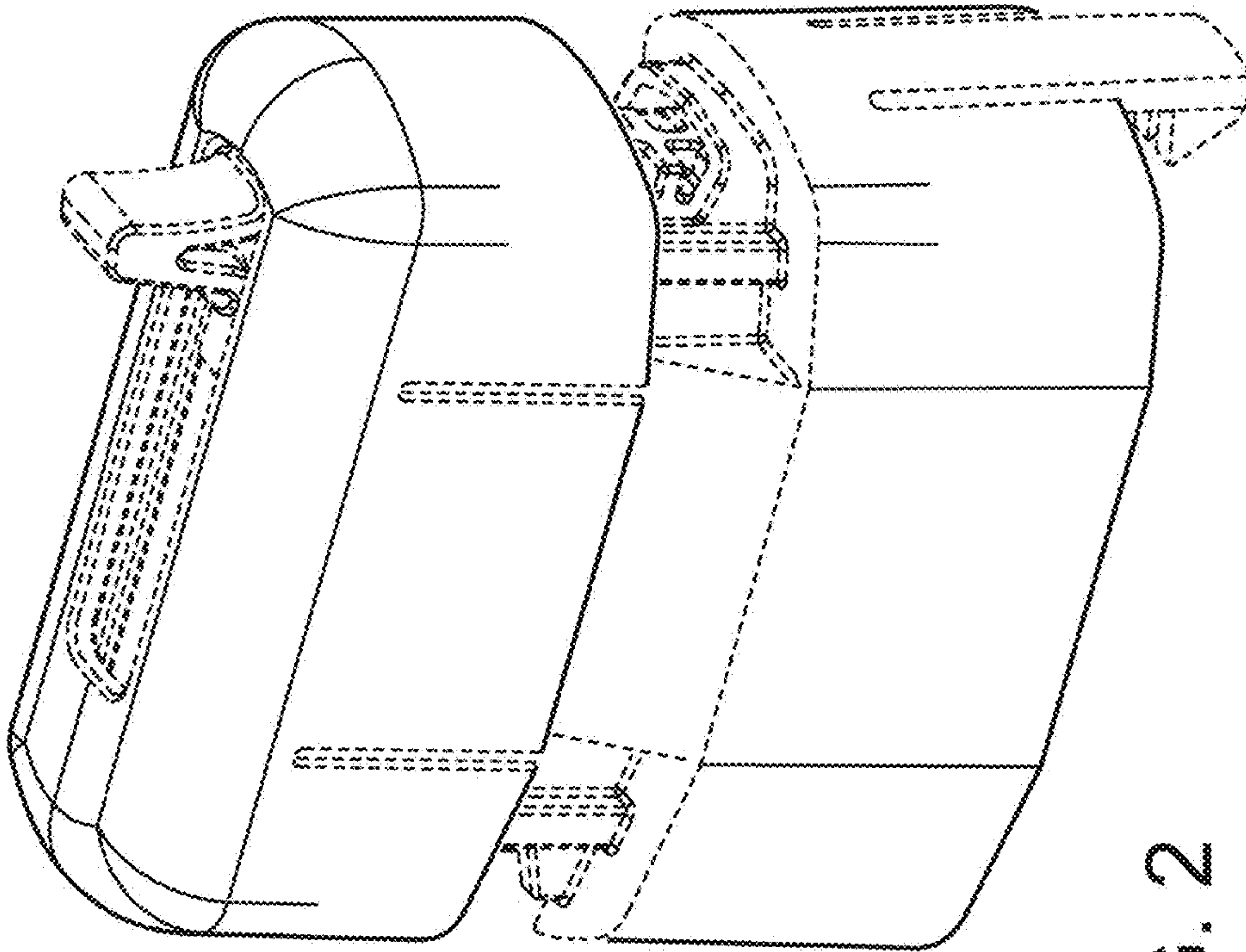


FIG. 2

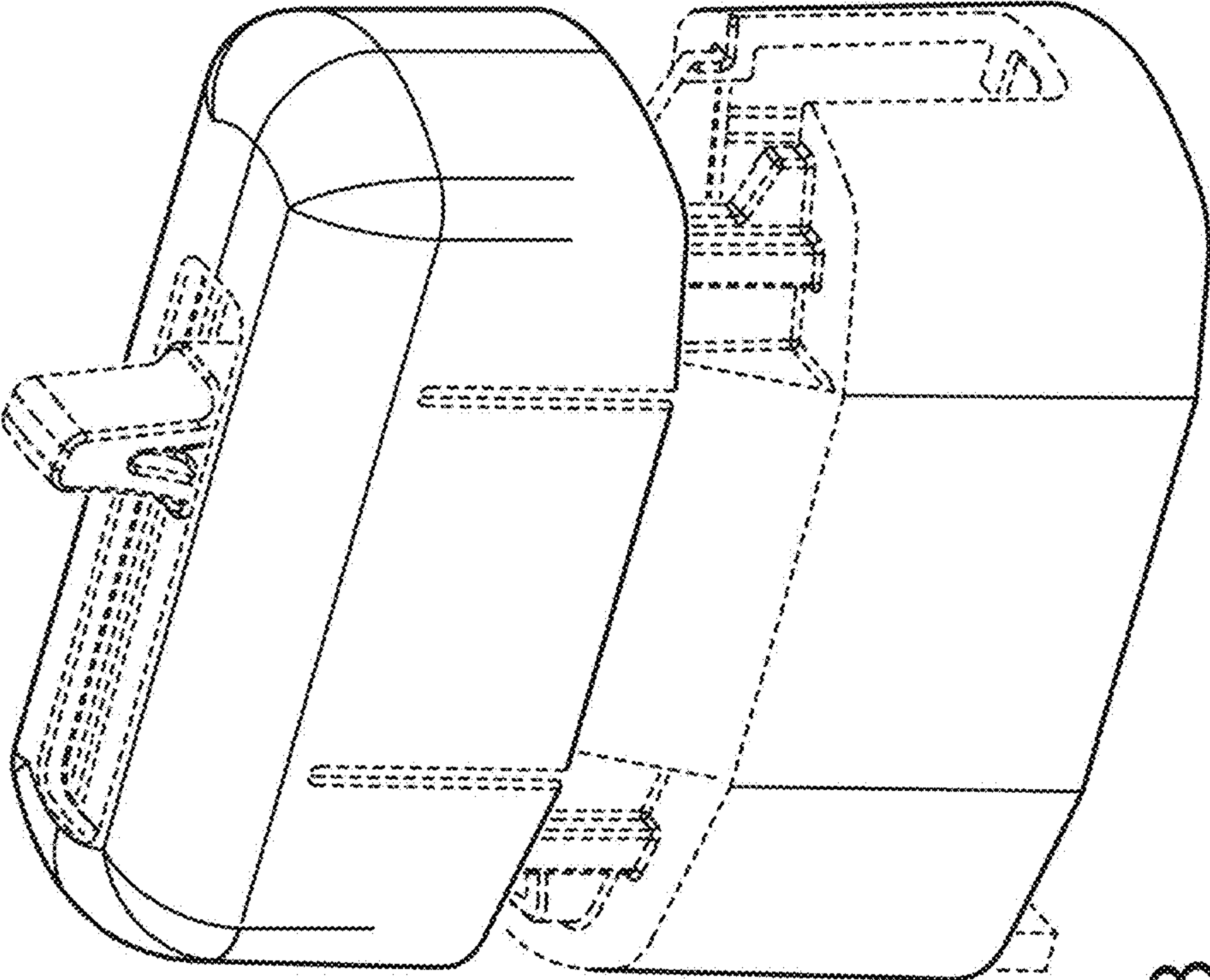


FIG. 3

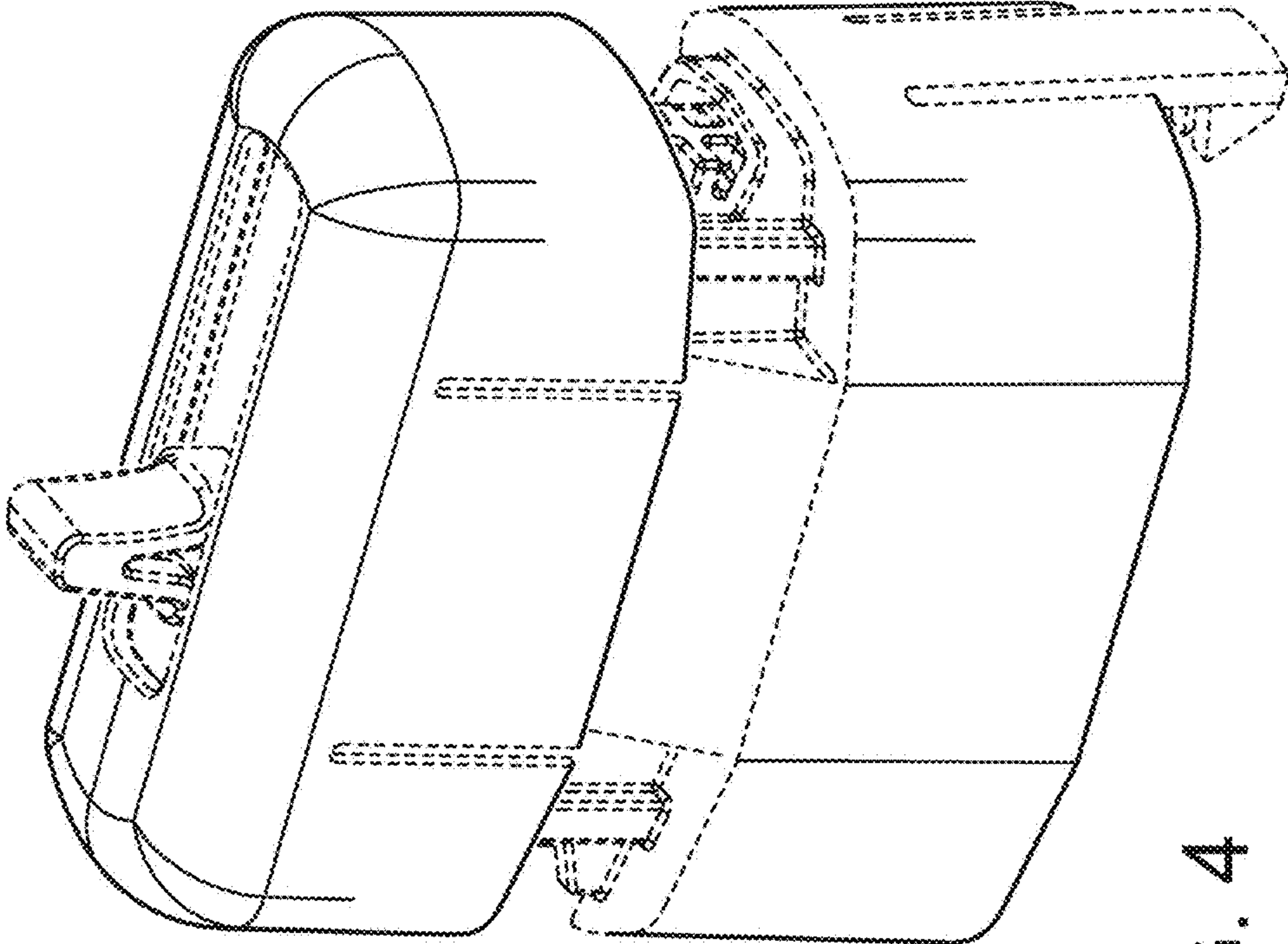


FIG. 4

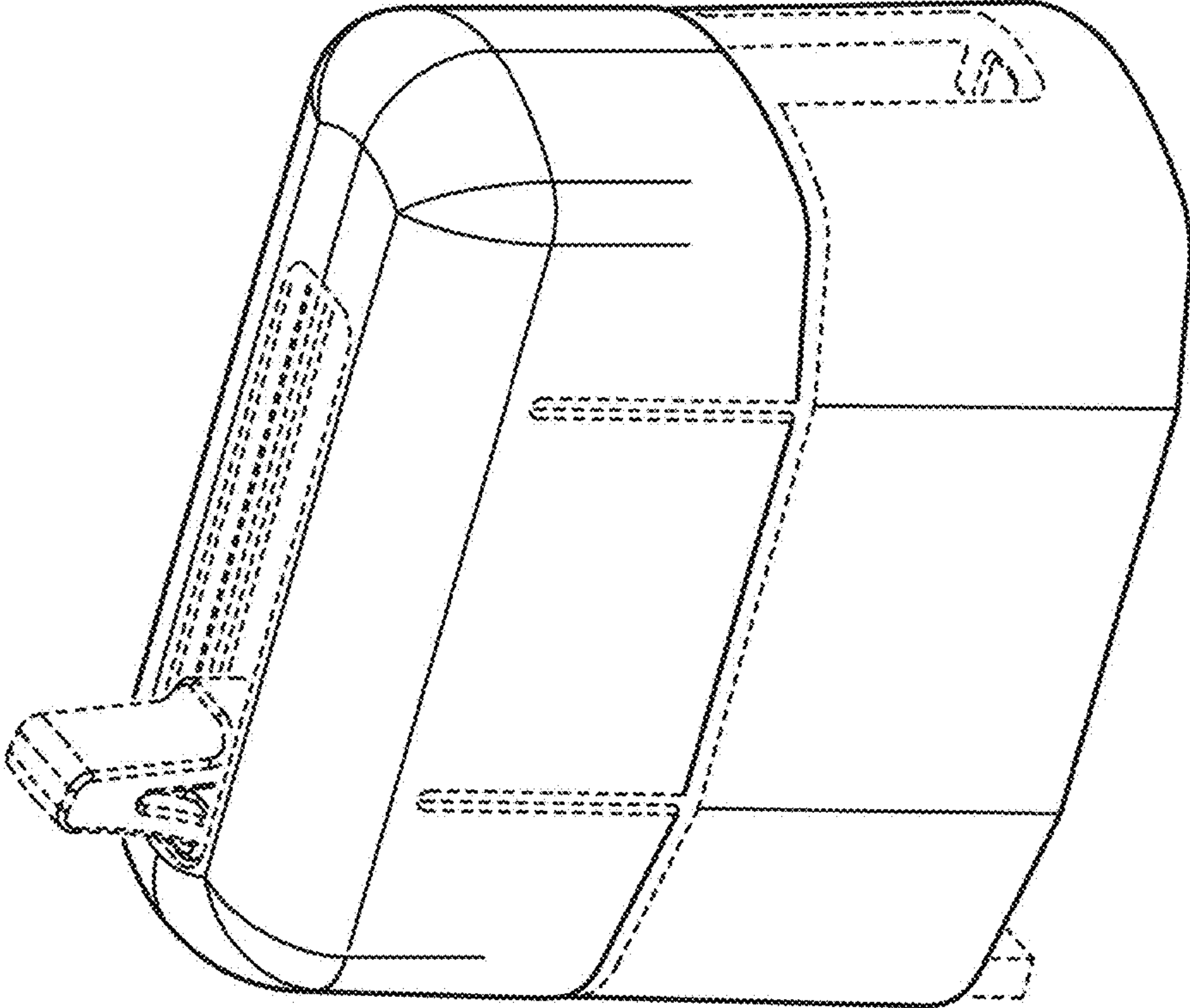


FIG. 5

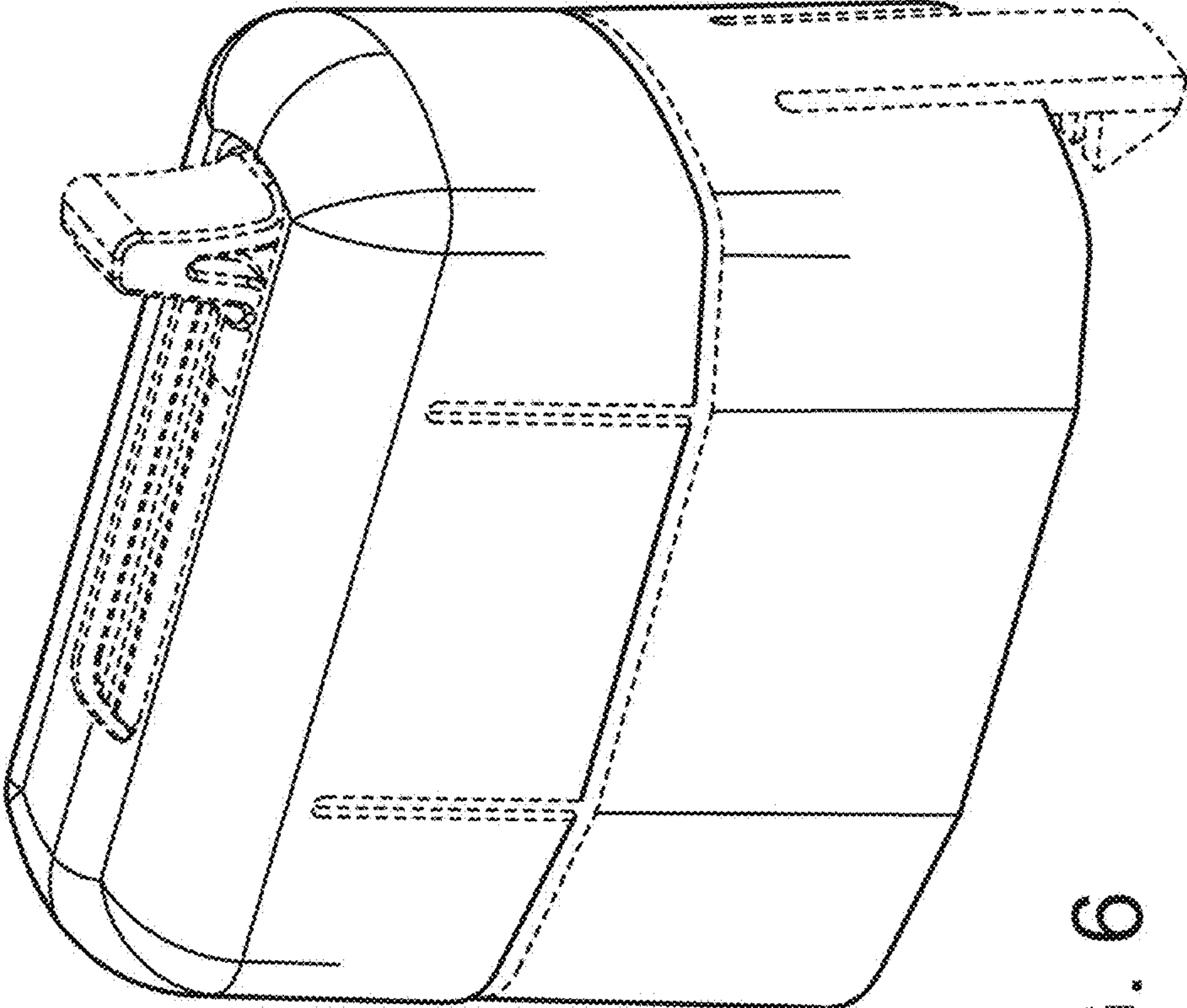


FIG. 6