



US00D845423S

(12) **United States Design Patent**
Barfoot et al.

(10) **Patent No.:** **US D845,423 S**

(45) **Date of Patent:** **** Apr. 9, 2019**

(54) **BACKPACKER FIREARM STOCK**

(71) Applicant: **Magpul Industries Corp.**, Austin, TX (US)

(72) Inventors: **Grady Barfoot**, Denver, CO (US);
Turner Sessions, Lafayette, CO (US)

(73) Assignee: **Magpul Industries Corp.**, Austin, TX (US)

(**) Term: **15 Years**

(21) Appl. No.: **29/590,231**

(22) Filed: **Jan. 9, 2017**

(51) **LOC (11) Cl.** **22-01**

(52) **U.S. Cl.**
USPC **D22/108**

(58) **Field of Classification Search**

USPC D22/100, 103, 104, 105, 108–109;
D21/572–575, 401, 461, 567, 568;
124/16, 26, 27, 28, 29, 54, 73–77;
222/78, 79; 42/54, 57, 58, 71.01, 72, 73,
42/74, 75.03, 90; 446/23, 182, 192, 401,
446/403, 405–407, 473, 475
CPC F41A 21/30; F41A 21/325; F41C 23/02;
F41C 23/04; F41C 23/06; F41C 23/08;
F41C 23/10; F41C 23/12; F41C 23/14;
F41C 23/16; F41C 23/18; F41C 23/20;
F41C 23/22; F41C 7/02; F41C 7/04;
F41C

(Continued)

(56) **References Cited**

U.S. PATENT DOCUMENTS

4,385,464 A * 5/1983 Casull F41C 23/00
42/75.03
4,674,216 A * 6/1987 Ruger F41C 23/18
42/71.01
D297,855 S * 9/1988 Ruger D22/103

(Continued)

OTHER PUBLICATIONS

Hunter X-22 Takedown Stock—Ruger 10/22 Takedown, Magpul.com, [online], [site visited May 22, 2018]. <URL: https://www.magpul.com/products/hunter-x-22-takedown-stock-ruger-10-22-takedown> (Year: 2018).*

(Continued)

Primary Examiner — T Chase Nelson

Assistant Examiner — Jonathan J. Han

(74) *Attorney, Agent, or Firm* — Neugeboren O’Dowd PC

(57) **CLAIM**

The ornamental design for a backpacker firearm stock, as shown and described.

DESCRIPTION

FIG. 1 is a front, right, top perspective view of an embodiment of a backpacker firearm stock showing our new design in an extended configuration;

FIG. 2 is a right side elevation view of the backpacker firearm stock of FIG. 1;

FIG. 3 is a left side elevation view of the backpacker firearm stock of FIG. 1;

FIG. 4 is a top view of the backpacker firearm stock of FIG. 1;

FIG. 5 is a bottom view of the backpacker firearm stock of FIG. 1;

FIG. 6 is a front elevation view of the backpacker firearm stock of FIG. 1;

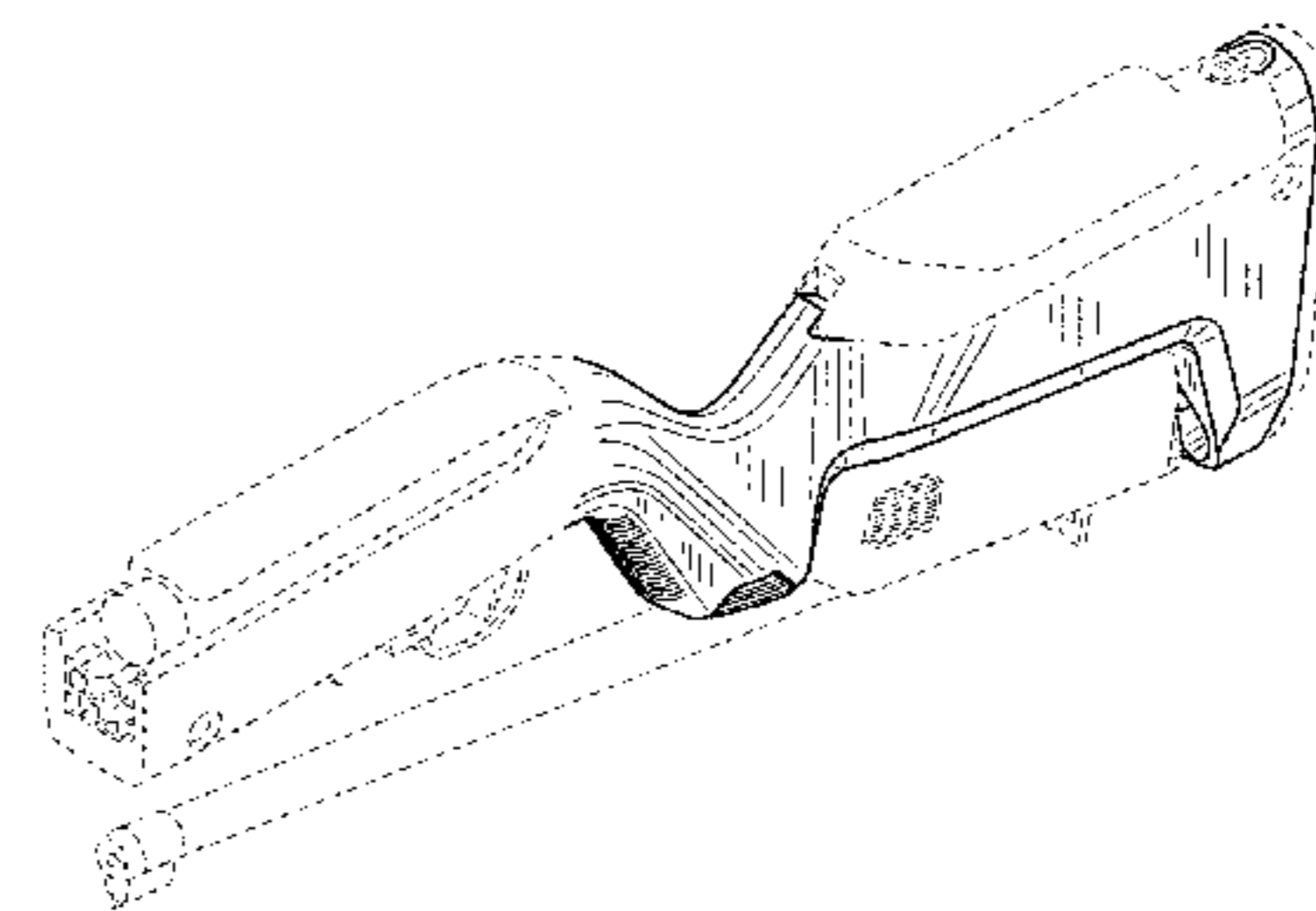
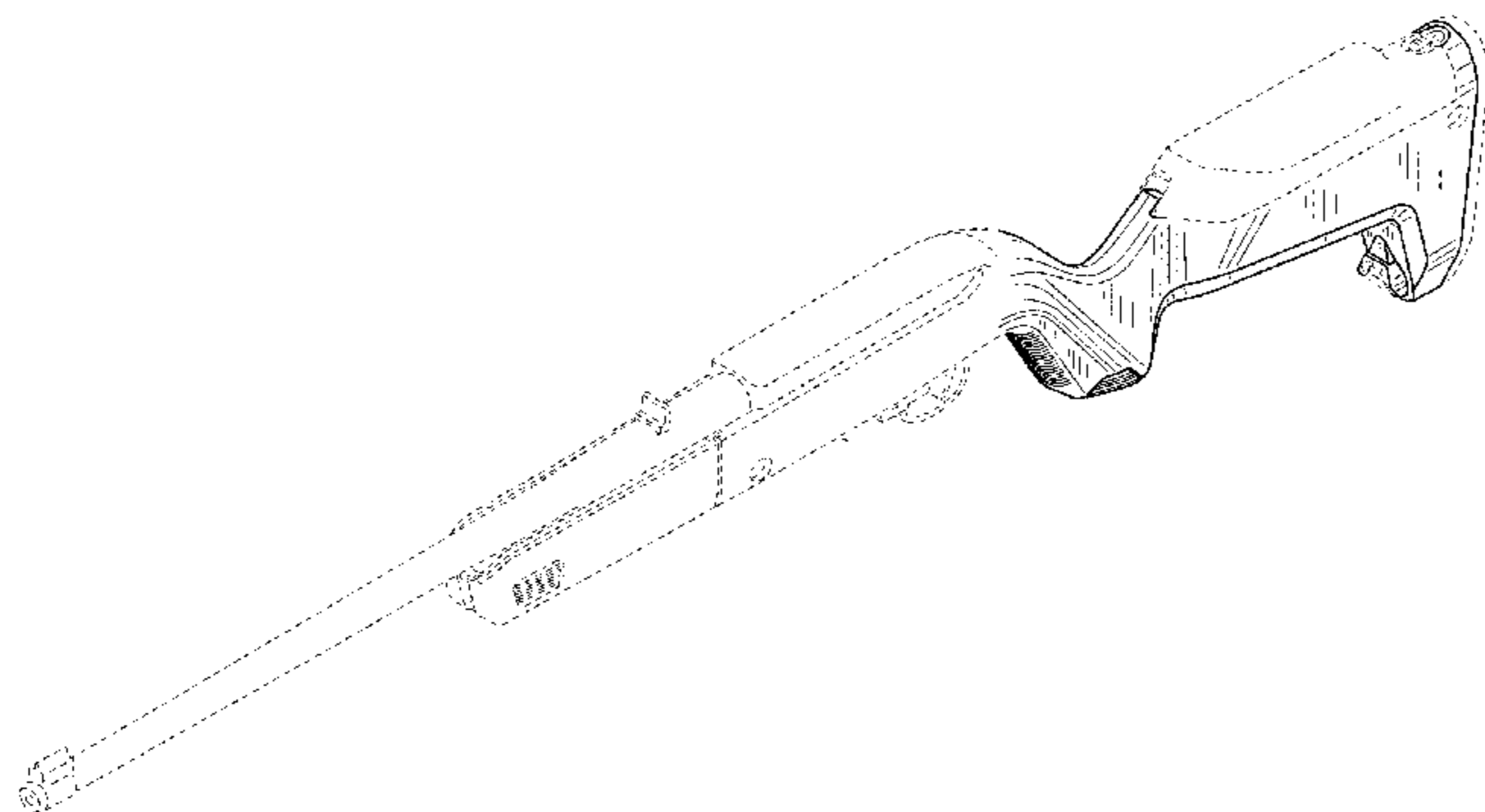
FIG. 7 is a rear elevation view of the backpacker firearm stock of FIG. 1; and,

FIG. 8 is another front, right, top perspective view of the embodiment of the backpacker firearm stock of FIG. 1, but in a stowed configuration.

The shade lines in the Figures show contour and not surface ornamentation.

The broken lines in the Figures show portions of the backpacker firearm stock and environment that form no part of the claimed design.

1 Claim, 7 Drawing Sheets



(58) **Field of Classification Search**

CPC 7/06; F41C 7/11; F41C 7/12; F41C 27/00;
F41C 27/06

See application file for complete search history.

(56) **References Cited**

U.S. PATENT DOCUMENTS

D304,223	S *	10/1989	Ruger	D22/103
D631,526	S *	1/2011	Torre	D22/108
D638,086	S *	5/2011	Salva	D22/103
D674,027	S *	1/2013	Reinagel	D21/573
D678,453	S *	3/2013	Klotz	D22/103
D679,356	S *	4/2013	Klotz	D22/103
D692,514	S *	10/2013	Vera	D22/108
D695,377	S *	12/2013	Mayberry	D22/108
D701,283	S *	3/2014	Vera	D22/108
D712,498	S *	9/2014	Du Plooy	D22/108
D712,996	S *	9/2014	Tresserras Torre	D22/108
D717,386	S *	11/2014	Moretti	D22/103
D722,671	S *	2/2015	Mayberry	D22/108
D744,055	S *	11/2015	Bitz	D22/108
9,322,611	B1 *	4/2016	Barfoot	F41A 21/48
D755,323	S *	5/2016	Eitan	D22/103
D757,885	S *	5/2016	Barfoot	D22/108
9,429,387	B1 *	8/2016	Barfoot	F41C 23/16
D777,867	S *	1/2017	Moretti	D22/103
D779,619	S *	2/2017	Findlay	D22/103
D781,391	S *	3/2017	Findlay	D22/108
9,612,084	B2 *	4/2017	Barfoot	F41C 23/16
2008/0244951	A1 *	10/2008	Picard	F41A 3/66 42/71.01
2014/0026460	A1 *	1/2014	Warburton	F41A 11/00 42/74
2014/0053716	A1 *	2/2014	Norton	F41A 9/64 89/33.1
2014/0360070	A1 *	12/2014	Hendricks	F41B 11/60 42/1.08
2015/0020423	A1 *	1/2015	Withey	F41A 3/22 42/16
2015/0192384	A1 *	7/2015	Ballard	F41A 9/70 42/49.01
2015/0316335	A1 *	11/2015	Withey	F41A 3/22 42/16
2017/0122685	A1 *	5/2017	Kolev	F41A 19/10
2018/0003465	A1 *	1/2018	Sessions	F41G 11/003
2018/0080730	A1 *	3/2018	Cook	F41A 9/26

OTHER PUBLICATIONS

X-22 Backpacker Stock—Ruger 10/22 Takedown, Magpul.com, [online], [site visited May 22, 2018]. <URL: <https://www.magpul.com/products/x-22-backpacker-stock-ruger-10-22-takedown>> (Year: 2018).*

Magpul—X-22 Backpacker Stock, YouTube.com, Magpul, Published on Jan. 10, 2017, [online], [site visited May 22, 2018]. <URL: <https://www.youtube.com/watch?v=l6npd2WbJTW>> (Year: 2017).*

Savage Arms Introduces Model 42 Takedown Series, AmericanRifleman.org, by American Rifleman Staff—Monday, Jan. 4, 2016, [online], [site visited May 22, 2018]. <URL: <https://www.americanrifleman.org/articles/2016/1/4/savage-arms-introduces-model-42-takedown-series/>> (Year: 2016).*

The 5 Best Takedown Survival Rifles, Survival Dispatch.com, Apr. 19, 2017, Bill Bernhardt, [online], [site visited May 22, 2018]. <URL: <http://www.survivaldispatch.com/the-5-best-takedown-survival-rifles/>> (Year: 2017).*

Eger, Chris, “4 Foldable Submachine Guns”, Retrieved from <http://www.guns.com/2013/02/08/foldable-submachine-guns/>, Feb. 8, 2013, p. 5.

Chiappa Firearms, “Chiappa M6 Folding Shotgun/Rifle”, Retrieved from <https://www.chiappafirearms.com/p.php?id=213>, Known to exist as early as Feb. 9, 2016, p. 21.

KEL TEC Weapons, “Products Page”, Retrieved from <https://www.keltecweapons.com/>, Known to exist as early as Feb. 9, 2016, p. 8.

Magpul, “Magpul FMG9 (Folding Machine Gun) Featured on Discovery Channel’s Ultimate Weapons”, Retrieved from <https://www.youtube.com/watch?v=pY2EqFzPzn8>, Aug. 26, 2009, p. 4.

Marlin Firearms, “Model 70PSS (Take Down)”, Retrieved from <https://www.marlinfirearms.com/rimfire/model-795/model-70pss-take-down>, Known to exist as early as Feb. 9, 2016, p. 2.

Nemesis Arms, Inc., “Vanquish Multi-Caliber”, Retrieved from http://www.nemesisarms.com/nemesis_vanquish.html, Known to exist as early as Feb. 9, 2016, p. 1.

Eger, Chris, “Remington Model 8: Brownings Semi-Auto Sporting Rifle”, Retrieved from <http://www.guns.com/2015/09/30/remington-model-8-browning-semi-automatic-sporting-rifle/>, Sep. 30, 2015, p. 4.

Church, A.K., “Springfield Armory M-6 Scout Survival Gun”, Retrieved from <http://www.milesfortis.us/church/akc13.htm>, Aug. 6, 2003, p. 15.

The Arms Room, LLC, “Marlin Takedown Lever Actions—Achieve Tactical Superiority”, Retrieved from <http://www.thearmsroom.com/id3.html>, Known to exist as early as Feb. 9, 2016, p. 4.

Henry Repeating Arms, “U.S. Survival AR-7 Rifle”, Retrieved from <https://www.henryusa.com/rifles/u-s-survival-ar-7/>, Known to exist as early as Feb. 9, 2016, p. 4.

* cited by examiner

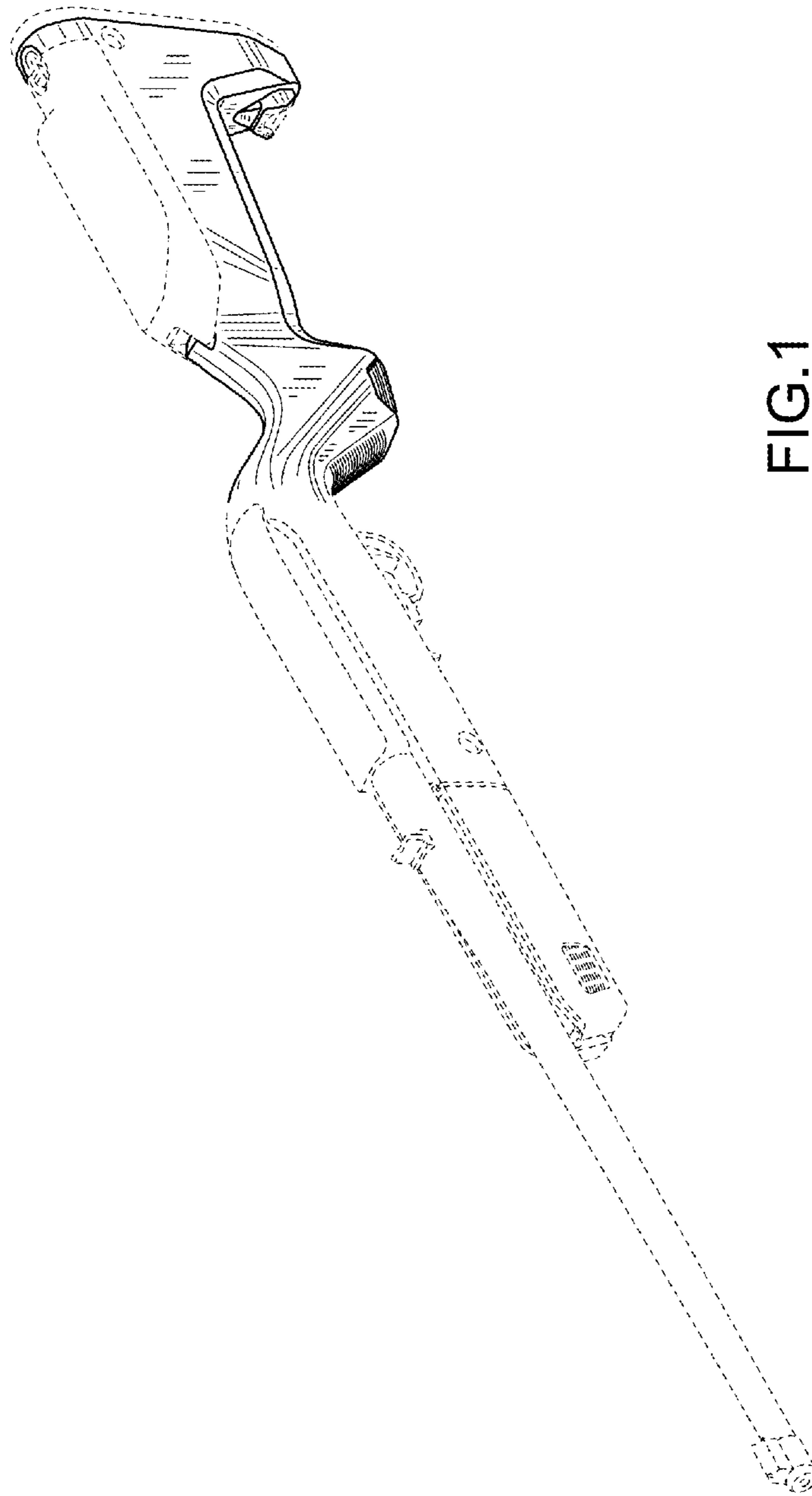


FIG.1

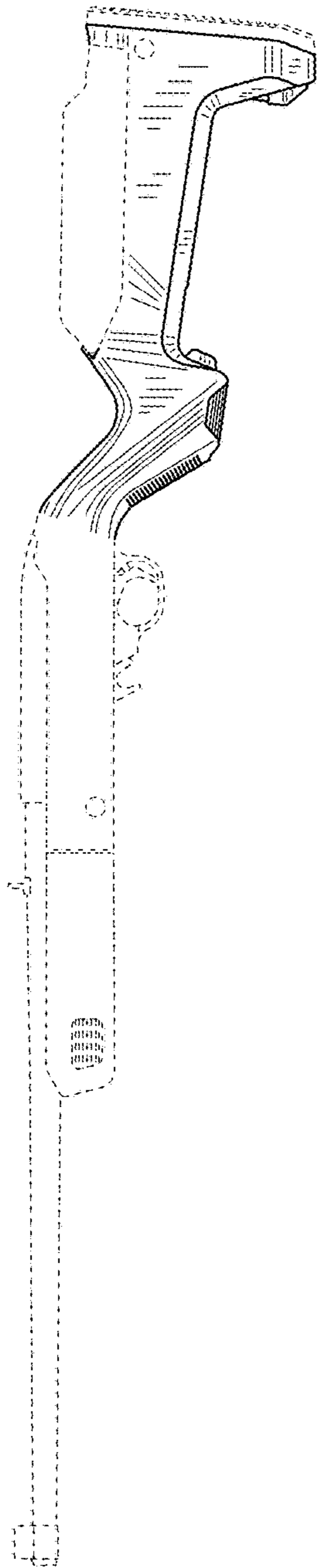


FIG.2

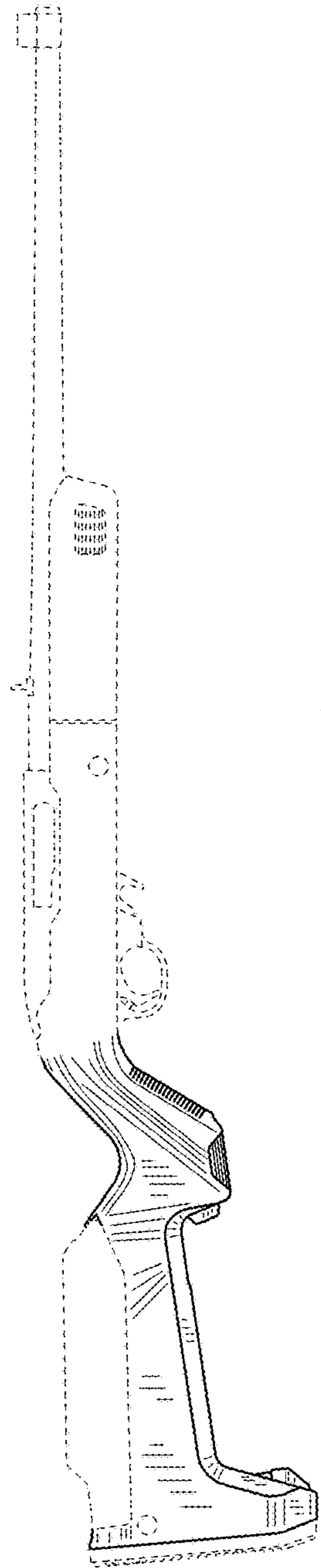


FIG.3



FIG.4



FIG.5

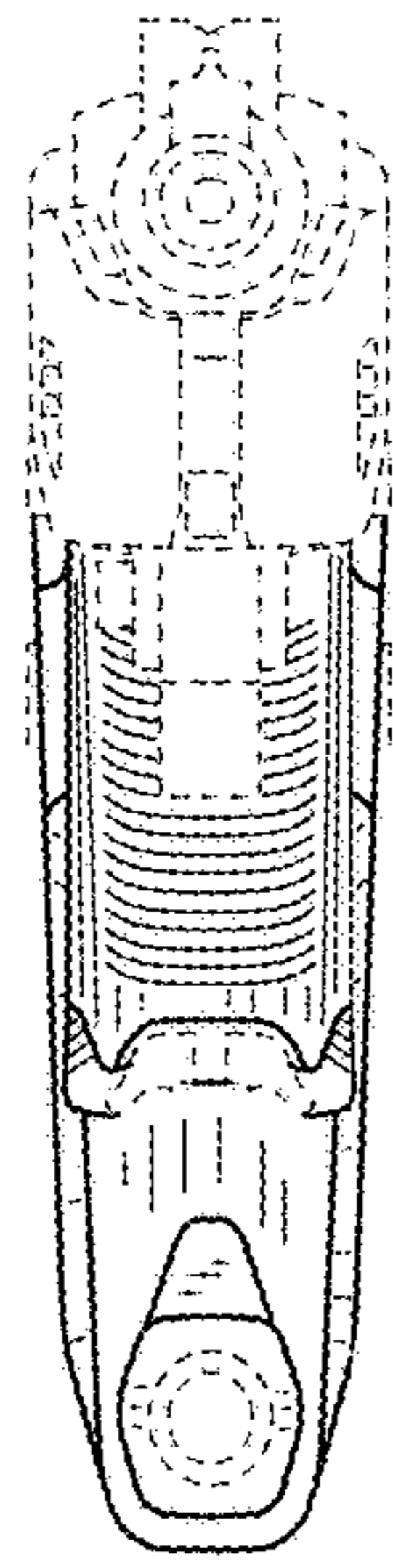


FIG.6

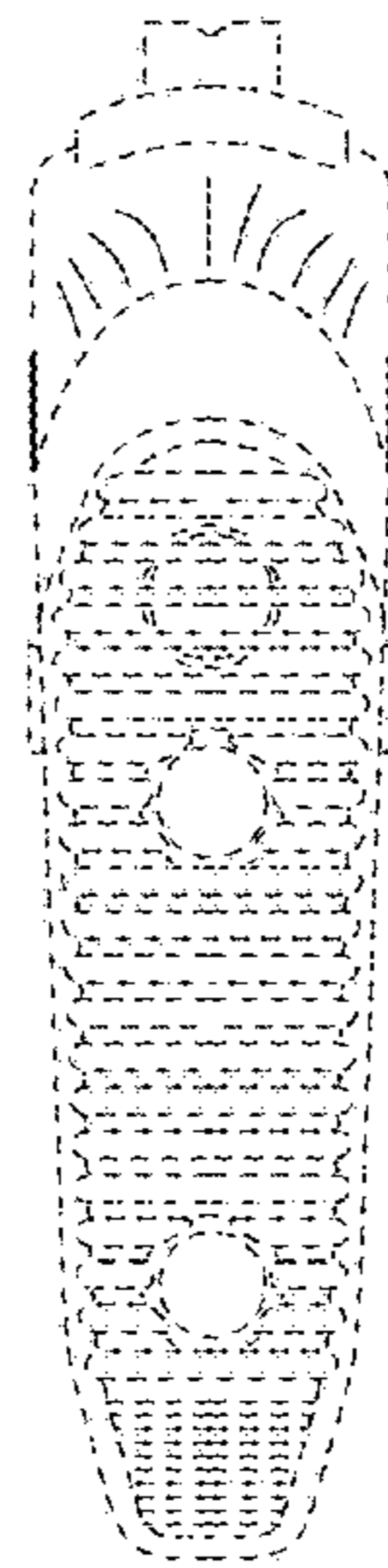


FIG.7

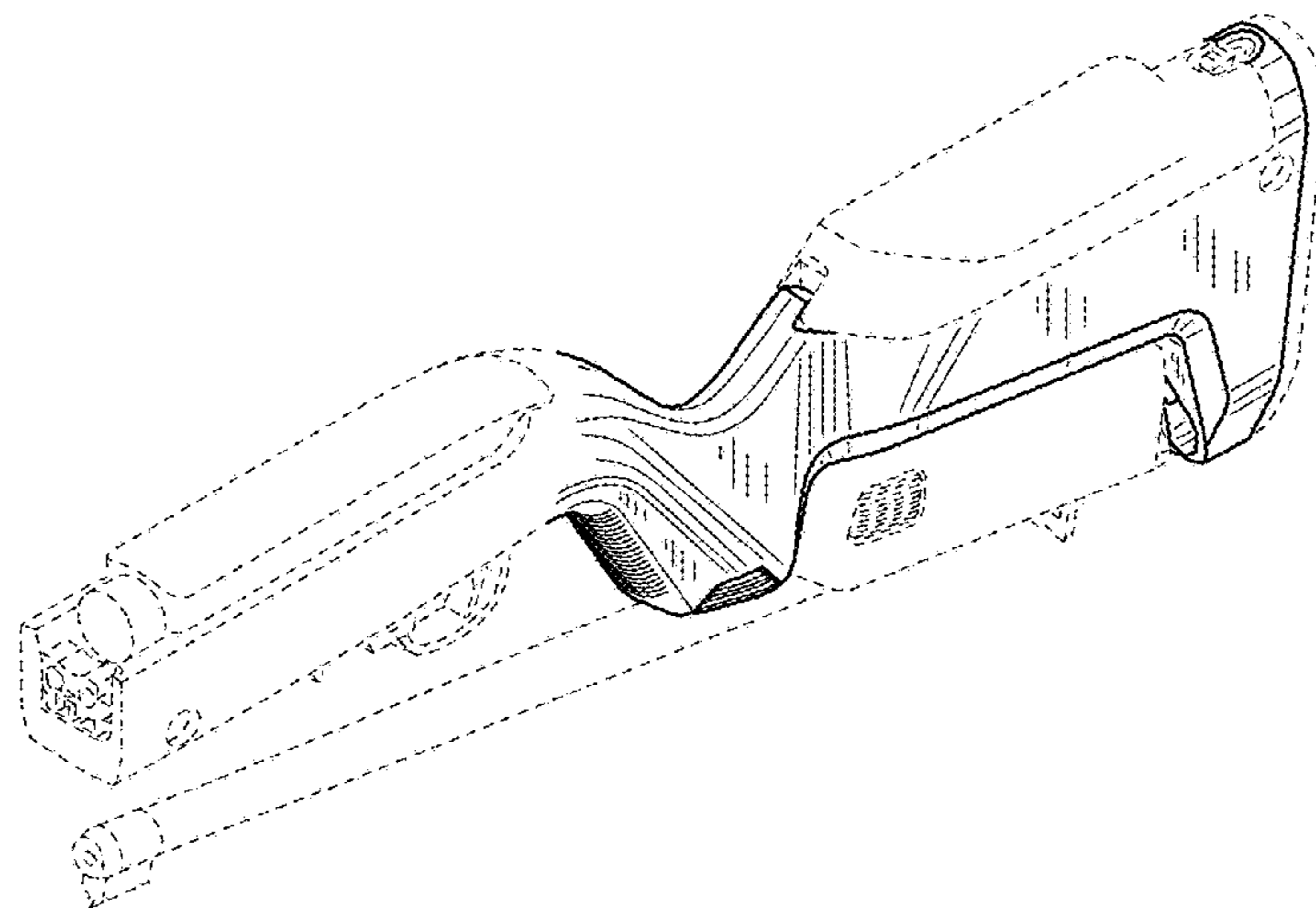


FIG.8