



US00D845420S

(12) **United States Design Patent**  
**Stelzl**

(10) **Patent No.:** **US D845,420 S**

(45) **Date of Patent:** **\*\* Apr. 9, 2019**

(54) **PART OF TRACK FOR AMUSEMENT APPARATUS**

(71) Applicant: **INGENIEURBÜRO STENGEL GMBH**, Munich (DE)

(72) Inventor: **Christian Stelzl**, Munich (DE)

(\*\*) Term: **15 Years**

(21) Appl. No.: **35/504,463**

(22) Filed: **Feb. 2, 2018**

(80) **Hague Agreement Data**

Int. Filing Date: **Feb. 2, 2018**

Int. Reg. No.: **DM/099621**

Int. Reg. Date: **Feb. 2, 2018**

Int. Reg. Pub. Date: **Feb. 16, 2018**

(51) **LOC (11) Cl.** ..... **21-03**

(52) **U.S. Cl.**  
USPC ..... **D21/828**

(58) **Field of Classification Search**  
USPC ..... D21/811, 814, 818, 819, 820, 821, 828, D21/830  
CPC ..... A63G 21/00; A63G 21/04; A63H 19/28; A63H 19/30; A63H 21/02; A63H 21/04; E01B 25/00; E01B 25/02; E01B 25/08; E01B 25/10; E01B 25/14; E01B 25/22; B61B 13/00; B61B 13/02; B61B 13/04; B61B 13/06

See application file for complete search history.

(56) **References Cited**

**U.S. PATENT DOCUMENTS**

5,011,134 A \* 4/1991 Langford ..... A63G 21/18 104/70

5,463,962 A \* 11/1995 Gnezdilov ..... A63G 7/00 104/53

D678,450 S \* 3/2013 Kitchen ..... A63G 21/18 D21/830  
D678,975 S \* 3/2013 Kitchen ..... D21/830  
D687,914 S \* 8/2013 Kitchen ..... A63G 7/00 D21/830  
D706,890 S \* 6/2014 Scheffer ..... D21/699  
D718,402 S \* 11/2014 Cirjak ..... A63G 7/00 D21/814  
D726,835 S \* 4/2015 Edwards ..... B60L 5/38 D21/565  
2003/0101896 A1 \* 6/2003 Cummins ..... B61B 13/00 104/156  
2011/0196561 A1 \* 8/2011 Jorgensen ..... B60L 5/38 701/23  
2016/0257316 A1 \* 9/2016 Rupp ..... A63G 7/00

\* cited by examiner

*Primary Examiner* — George D. Kirschbaum

*Assistant Examiner* — Joseph J Kukella

(74) *Attorney, Agent, or Firm* — Adsero IP

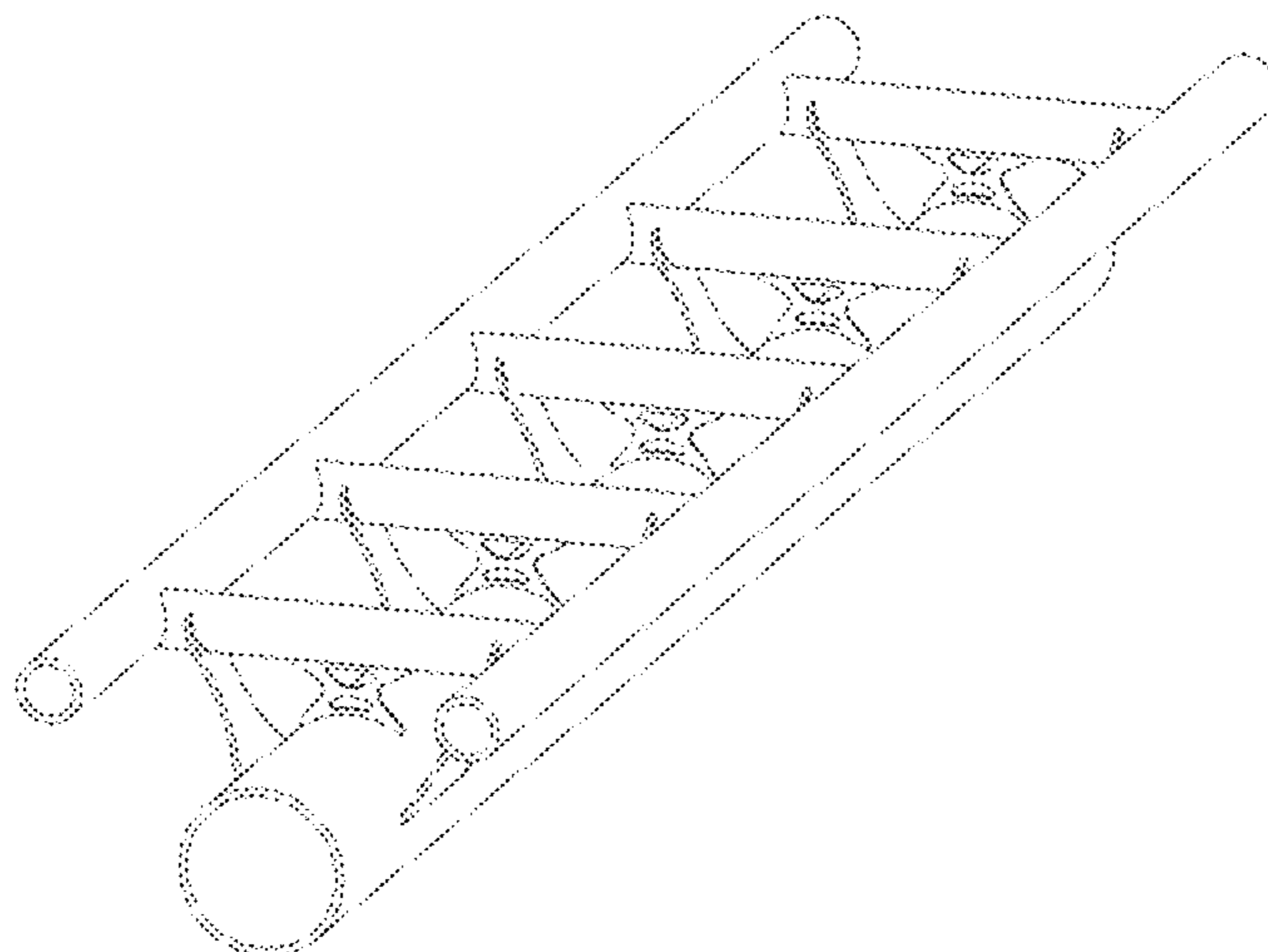
(57) **CLAIM**

The ornamental design for a part of track for amusement apparatus, as shown and described.

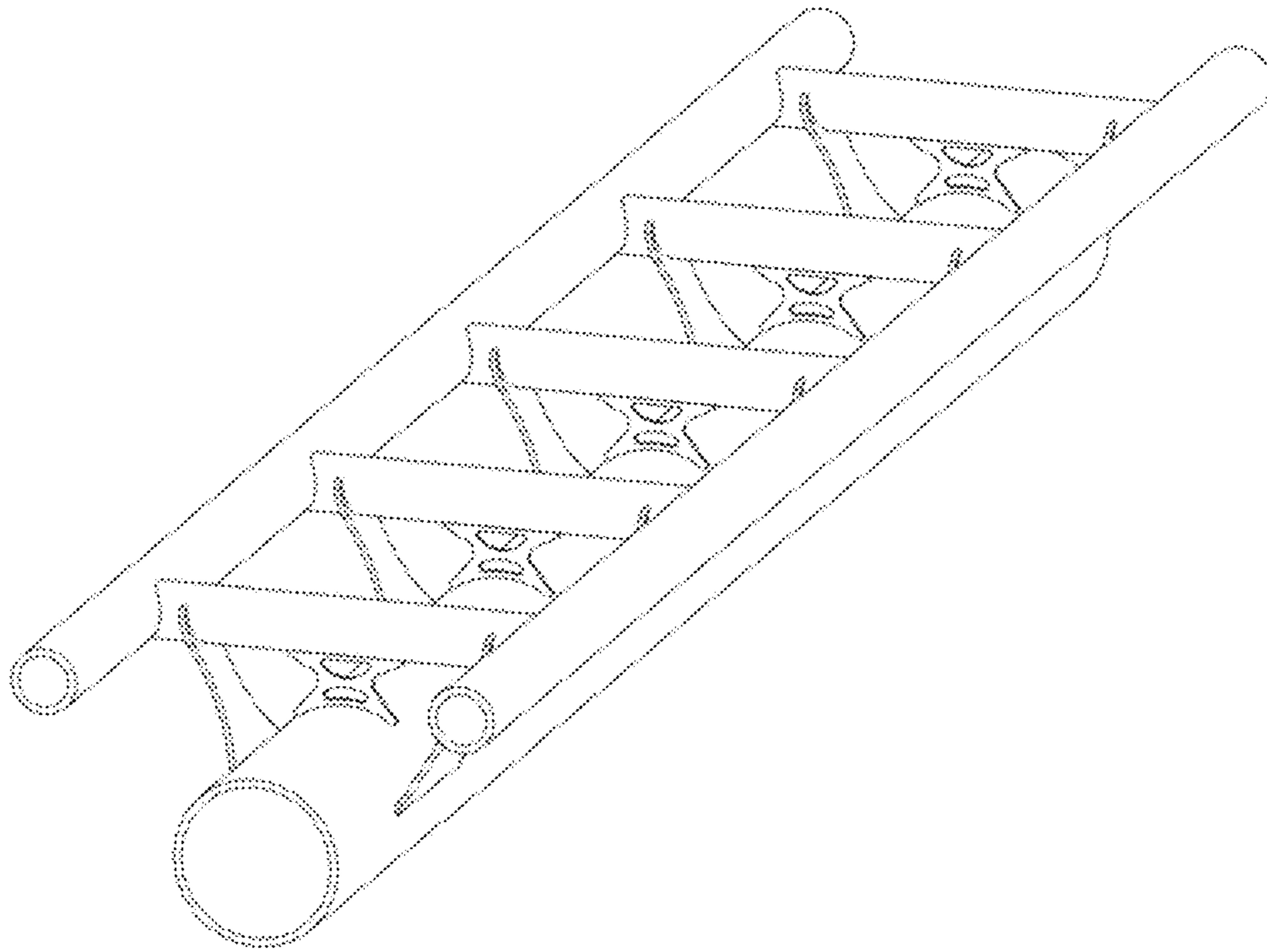
**DESCRIPTION**

- 1. Part of track for amusement apparatus
- 1.1 : Perspective
- 1.2 : Perspective
- 1.3 : Front
- 1.4 : Right
- 1.5 : Top
- 1.6 : Bottom

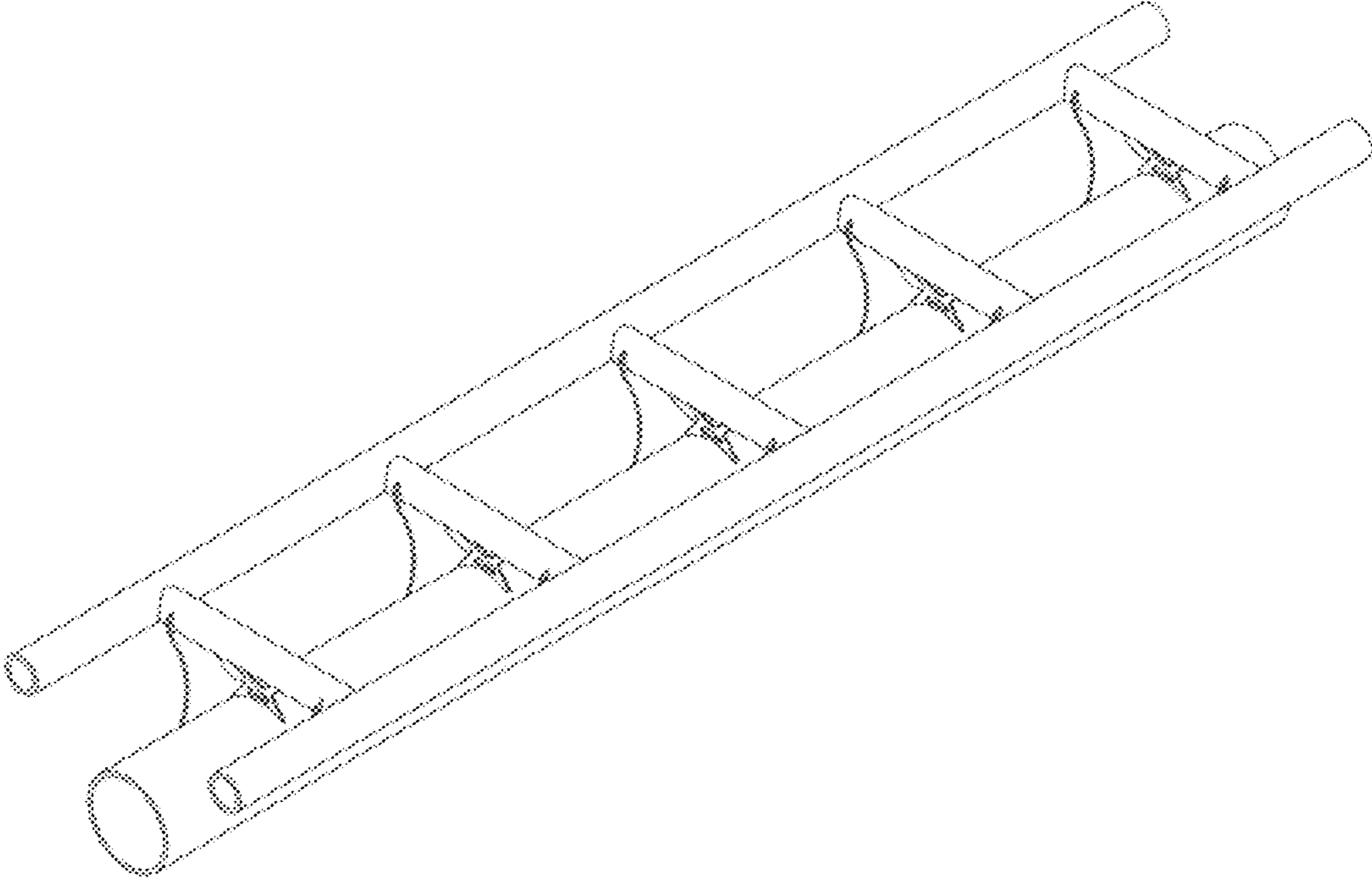
**1 Claim, 6 Drawing Sheets**



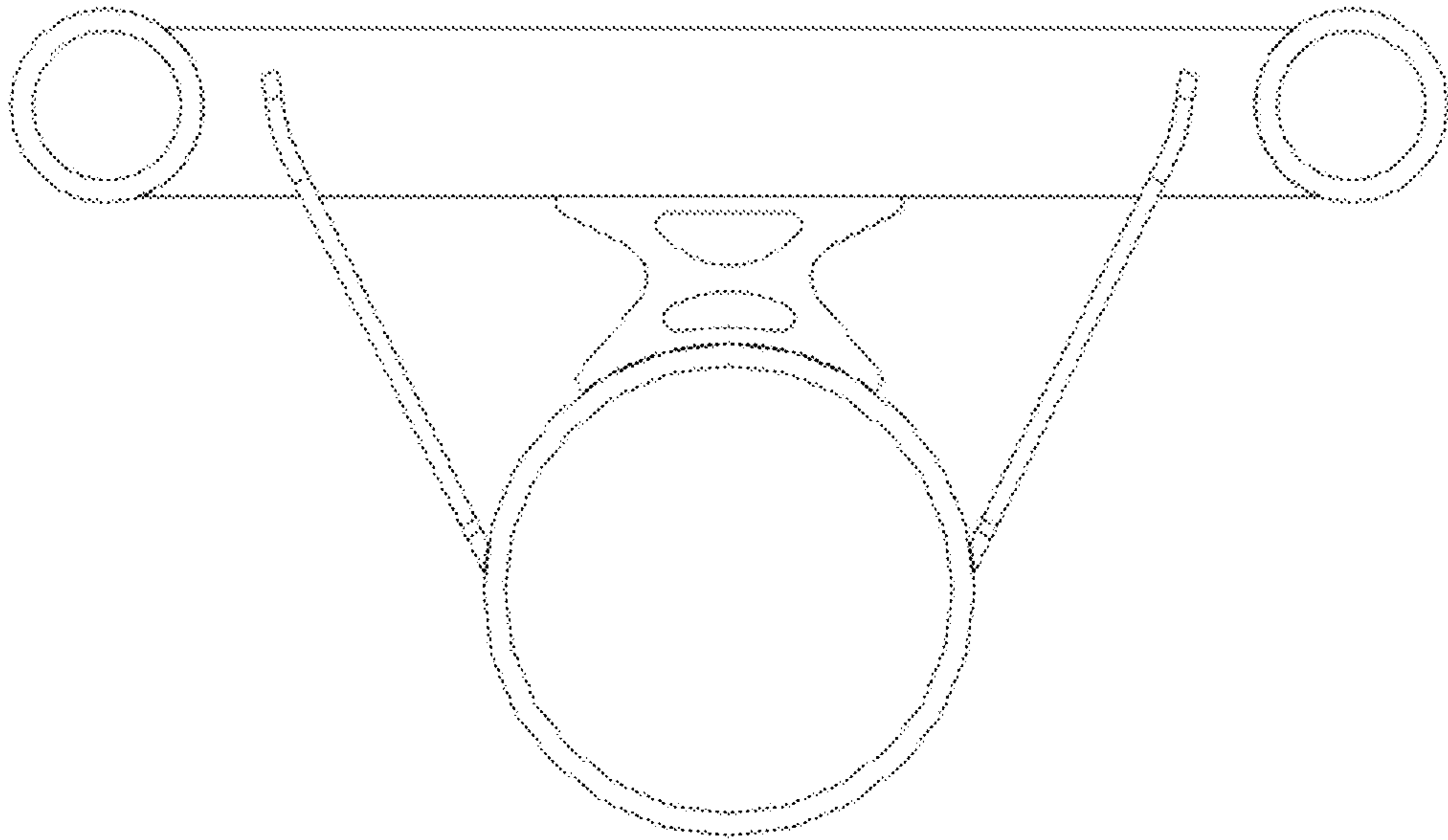
**1.1**



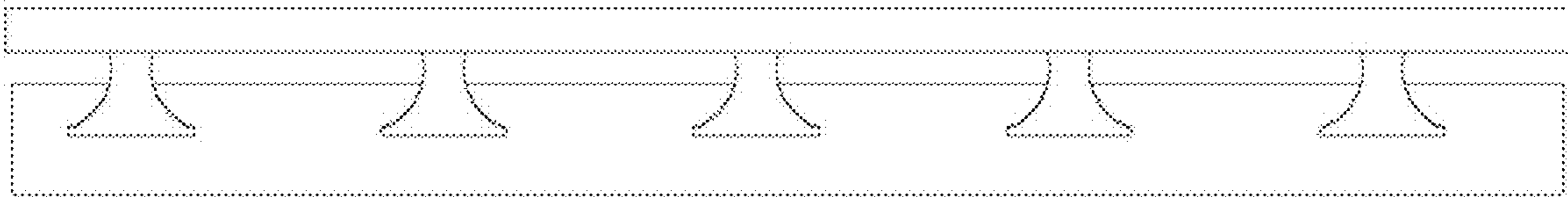
1.2



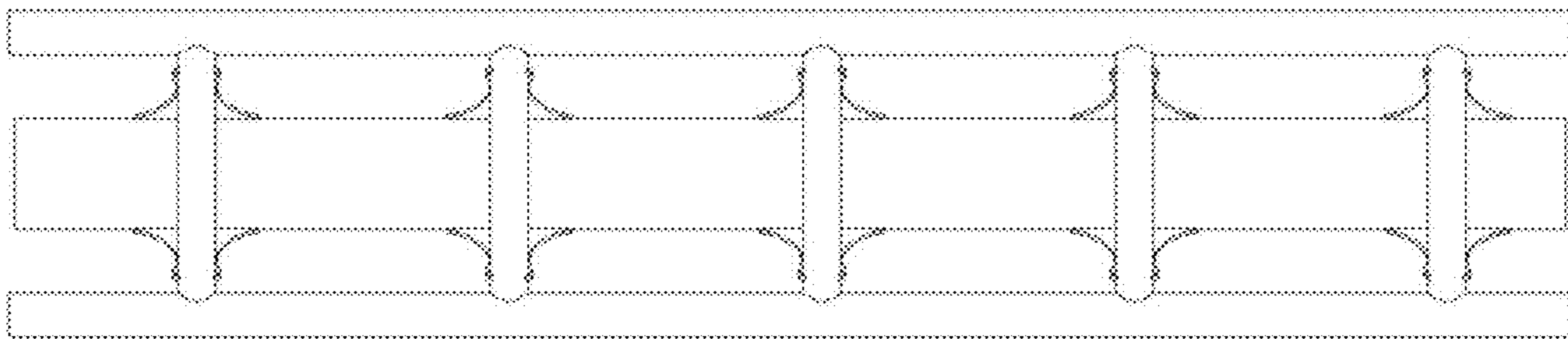
1.3



1.4



1.5



1.6

