



US00D845419S

(12) **United States Design Patent**
Seaman et al.

(10) **Patent No.:** **US D845,419 S**
(45) **Date of Patent:** **** Apr. 9, 2019**

(54) **TRAMPOLINE ENCLOSURE SUPPORT**

(71) Applicant: **Action Sports Equipment Pty Ltd.,**
Silverwater (AU)

(72) Inventors: **Robert Brian Seaman,** Silverwater
(AU); **David Andrew Jones,**
Silverwater (AU); **Murray David**
Kirby Hunter, Silverwater (AU); **Lee**
David Blattmann, Silverwater (AU)

(73) Assignee: **Action Sports Equipment Pty Ltd.,**
Silverwater (AU)

(**) Term: **15 Years**

(21) Appl. No.: **29/606,710**

(22) Filed: **Jun. 7, 2017**

(30) **Foreign Application Priority Data**

Dec. 9, 2016 (AU) 201616959

(51) **LOC (11) Cl.** **21-02**

(52) **U.S. Cl.**
USPC **D21/797; D21/672**

(58) **Field of Classification Search**
USPC D21/672, 797
CPC A63B 5/11; A63B 21/023; A63B 71/022;
A63B 2208/12; A63B 2210/50; A63B
21/0552; A63B 21/026; B25B 13/04
See application file for complete search history.

(56) **References Cited**

U.S. PATENT DOCUMENTS

5,371,936 A * 12/1994 Blanchard B25B 27/306
29/227
9,492,698 B2 * 11/2016 Andon A63B 5/11
D817,432 S * 5/2018 Hsiang D21/797
D817,433 S * 5/2018 Hsiang D21/797
D817,434 S * 5/2018 Hsiang D21/797

D818,071 S * 5/2018 Chen D21/797
2009/0062078 A1 3/2009 VanElverdinghe
2013/0045837 A1* 2/2013 Hsiang A63B 5/11
482/27

(Continued)

FOREIGN PATENT DOCUMENTS

AU 322533 12/2008
AU 356863 8/2014

(Continued)

Primary Examiner — Robin V Webster

Assistant Examiner — Keith J Wilson

(74) *Attorney, Agent, or Firm* — James L. Young;
Westman, Champlin & Koehler, P.A.

(57) **CLAIM**

The ornamental design for a trampoline enclosure support,
as shown and described.

DESCRIPTION

FIG. 1 is a front elevational view of a trampoline enclosure
support;

FIG. 2 is a left side elevational view of the trampoline
enclosure support of FIG. 1;

FIG. 3 is a top view of the trampoline enclosure support of
FIG. 1;

FIG. 4 is a rear elevational view of the trampoline enclosure
support of FIG. 1;

FIG. 5 is a right side elevational view of the trampoline
enclosure support of FIG. 1;

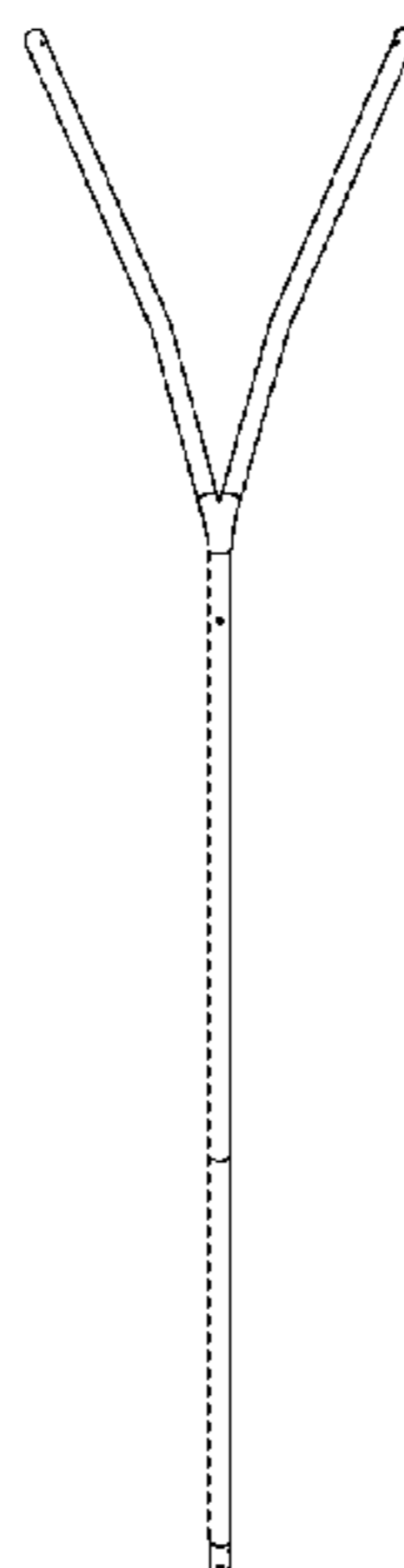
FIG. 6 is a perspective view of the trampoline enclosure
support of FIG. 1;

FIG. 7 is a bottom view of the trampoline enclosure support
of FIG. 1; and,

FIG. 8 is a perspective view of a plurality of trampoline
enclosure supports disposed for use with a trampoline,
enclosure, and base.

The broken lines shown in the FIGS. are for illustrative
purposes only and form no part of the claimed design.

1 Claim, 8 Drawing Sheets



(56)

References Cited

U.S. PATENT DOCUMENTS

2013/0310223 A1* 11/2013 Canales A63B 5/11
482/27
2014/0336005 A1* 11/2014 Miller A63B 5/11
482/27
2016/0030794 A1* 2/2016 Yang A63B 5/11
482/27
2017/0095685 A1* 4/2017 Miller A63B 5/11
2017/0340939 A1* 11/2017 Chen A63B 5/11
2018/0147434 A1* 5/2018 Ji A63B 71/04

FOREIGN PATENT DOCUMENTS

AU 360005 1/2015
AU 2014268206 A1 6/2016
NZ 618666 6/2016
NZ 714495 6/2016
NZ 711781 8/2016
NZ D420224 8/2016
WO WO2015074097 A1 5/2015

* cited by examiner

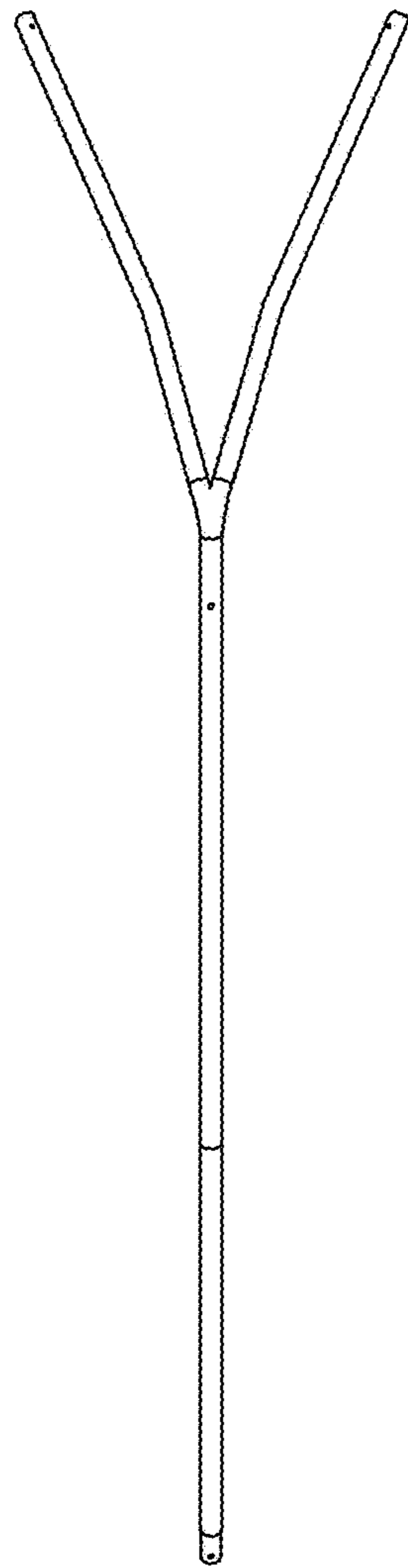


FIG. 1

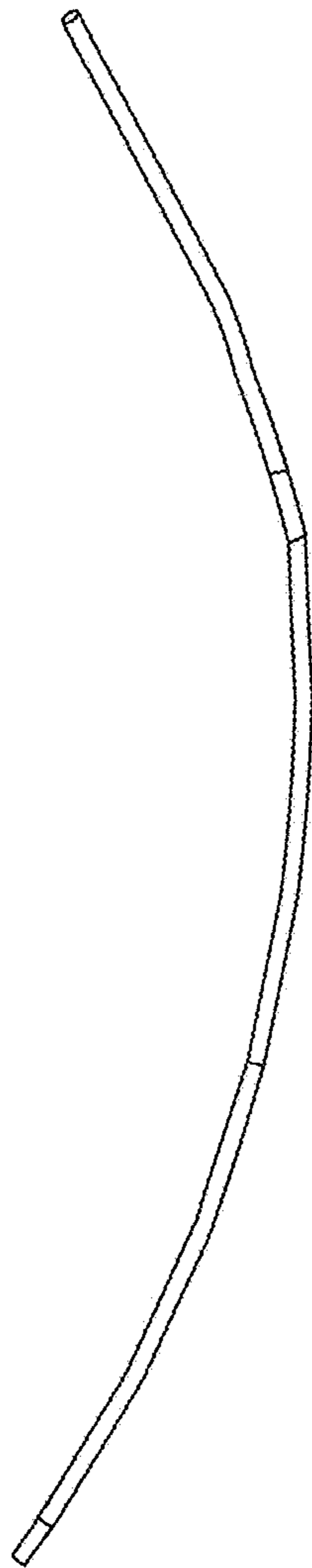


FIG. 2

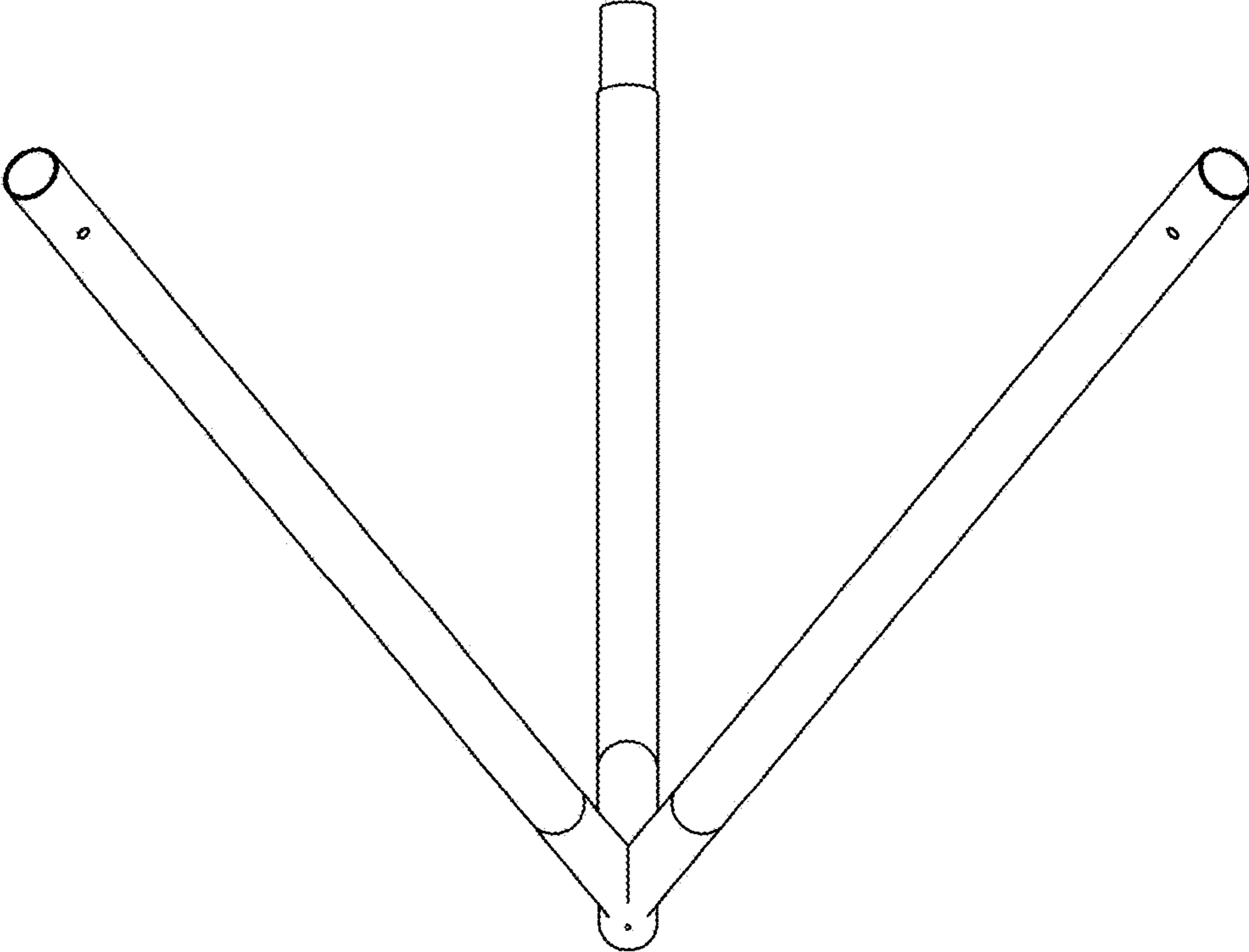


FIG. 3

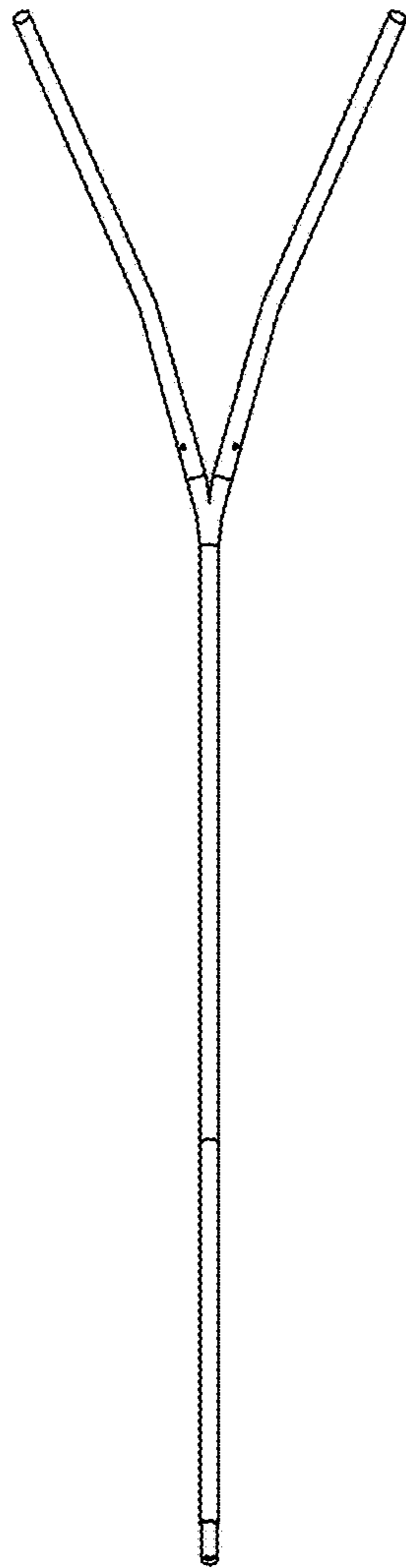


FIG. 4

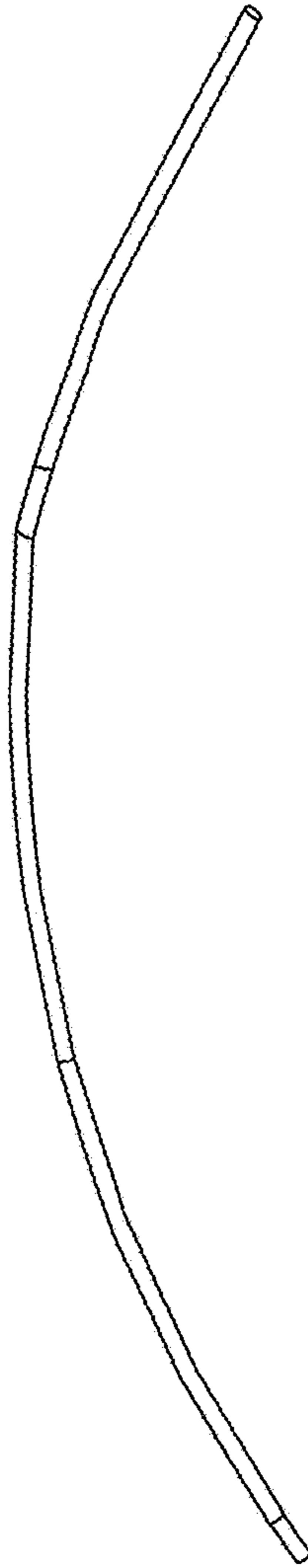


FIG. 5

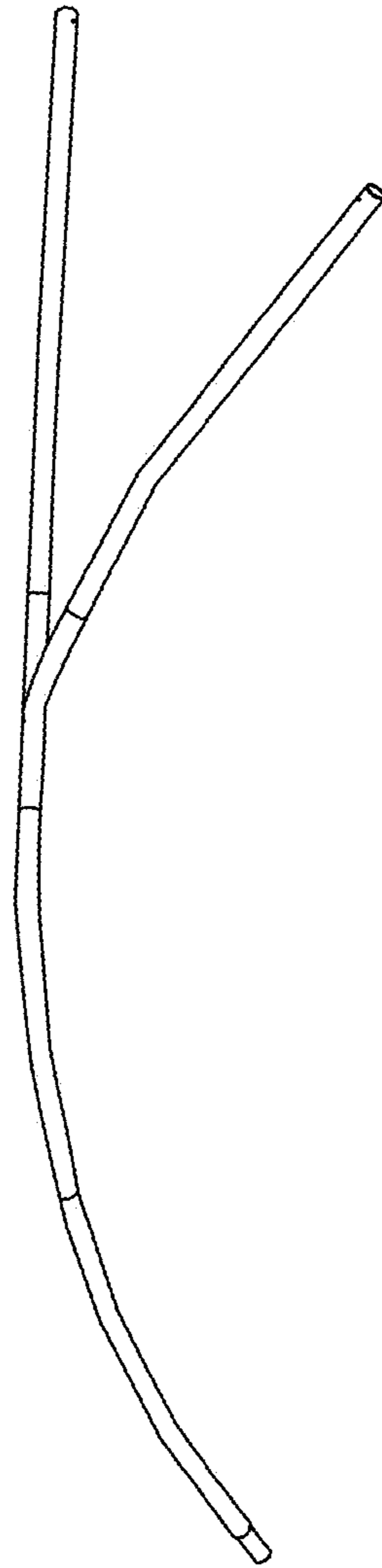


FIG. 6

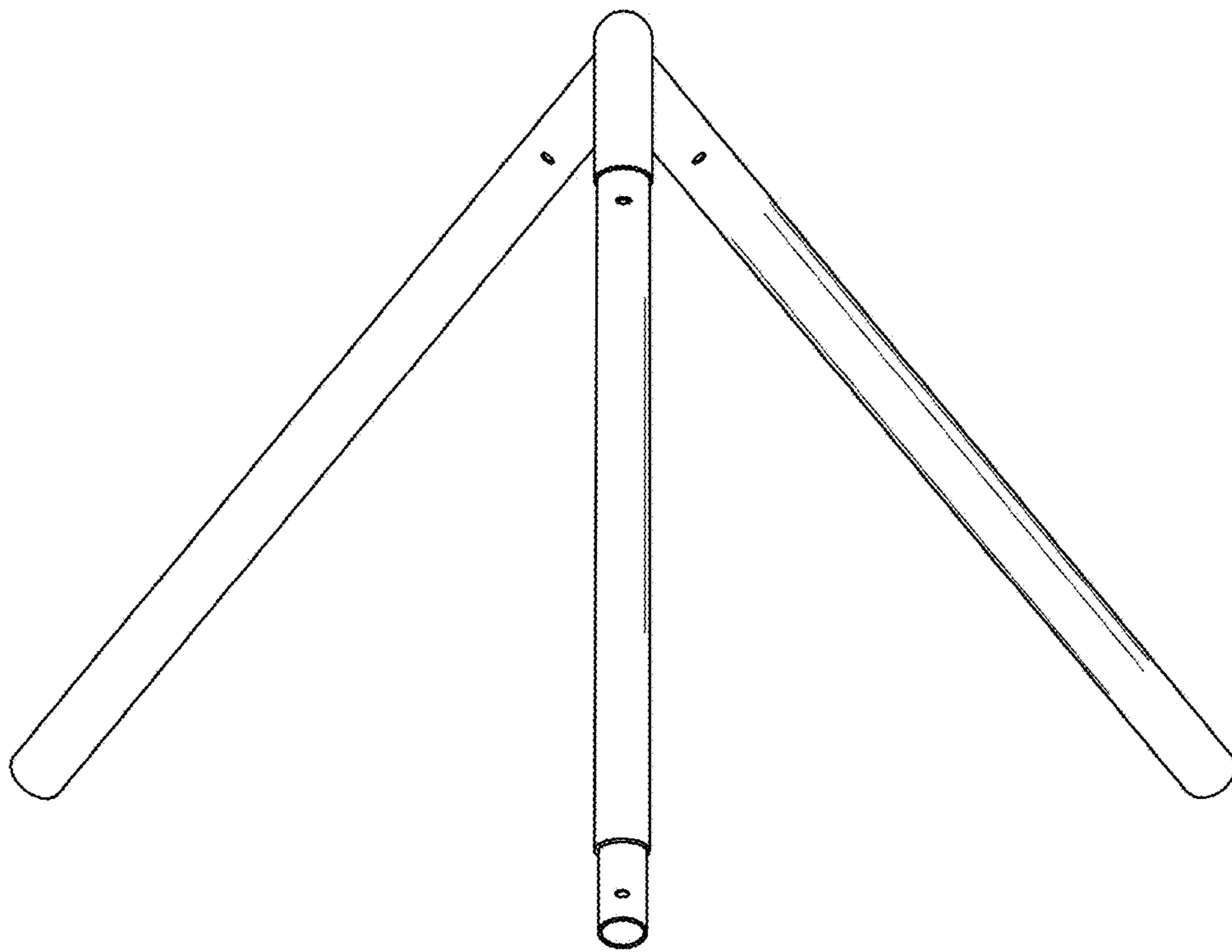


FIG. 7

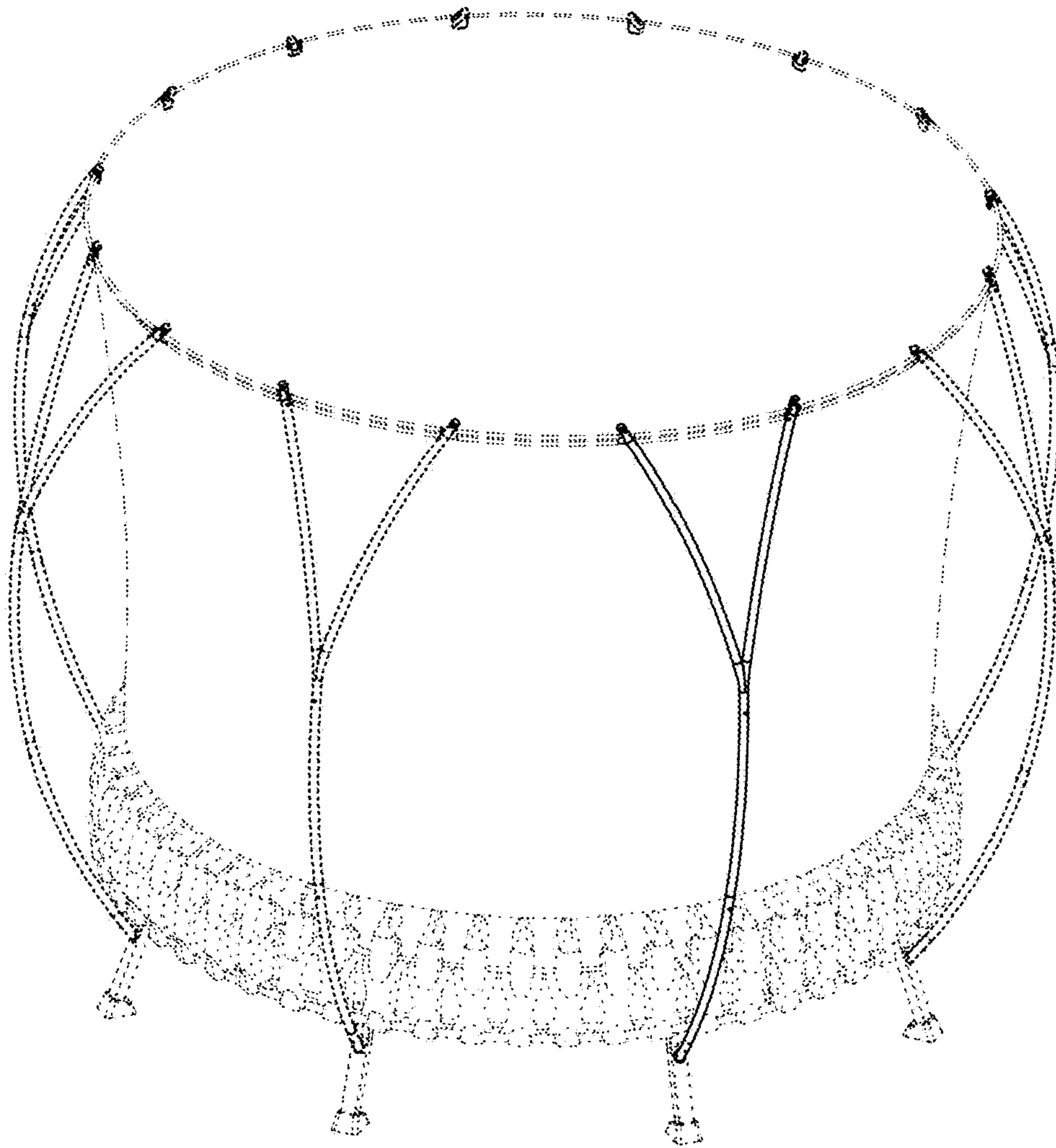


FIG 8