



US00D845418S

(12) **United States Design Patent**  
**Aines**

(10) **Patent No.:** **US D845,418 S**

(45) **Date of Patent:** **\*\* Apr. 9, 2019**

- (54) **PUTTING TRAINING SYSTEM**
- (71) Applicant: **Kevin Lee Aines**, Woodstock, GA (US)
- (72) Inventor: **Kevin Lee Aines**, Woodstock, GA (US)
- (\*\*) Term: **15 Years**
- (21) Appl. No.: **29/615,284**
- (22) Filed: **Aug. 28, 2017**

**Related U.S. Application Data**

- (63) Continuation of application No. 15/226,479, filed on Aug. 2, 2016.
- (51) **LOC (11) Cl.** ..... **21-02**
- (52) **U.S. Cl.**  
USPC ..... **D21/791**
- (58) **Field of Classification Search**  
USPC ..... D21/789, 791  
See application file for complete search history.

(56) **References Cited**

**U.S. PATENT DOCUMENTS**

1,545,648	A *	7/1925	Fletcher	.....	A63B 69/3676	473/218
2,827,299	A	3/1958	Dean			
2,869,875	A *	1/1959	Steenson	.....	A63B 69/3676	273/127 B
D211,376	S *	6/1968	Childester	.....	D21/791	
4,129,301	A	12/1978	Kenney			
4,921,254	A *	5/1990	Buckley	.....	A63B 69/3608	473/218
D325,419	S *	4/1992	Mulloy	.....	D21/466	
D332,817	S *	1/1993	Mullen	.....	D21/782	
5,209,484	A	5/1993	Randall			
D336,618	S *	6/1993	Smith	.....	D10/65	
6,048,273	A	4/2000	Clement			
6,129,639	A *	10/2000	Brock	.....	A63B 69/3676	473/260

7,273,417	B1	9/2007	Lundquist			
D606,613	S *	12/2009	Prestwich	.....	D21/791	
8,029,379	B1 *	10/2011	Johansen	.....	A63B 69/3676	473/257
8,029,380	B1 *	10/2011	Johansen	.....	A63B 69/3676	473/257
D737,393	S *	8/2015	Masucci	.....	D21/791	

(Continued)

*Primary Examiner* — Mitchell I. Siegel

(74) *Attorney, Agent, or Firm* — Laurence A. Greenberg; Werner H. Stemer; Ralph E. Locher

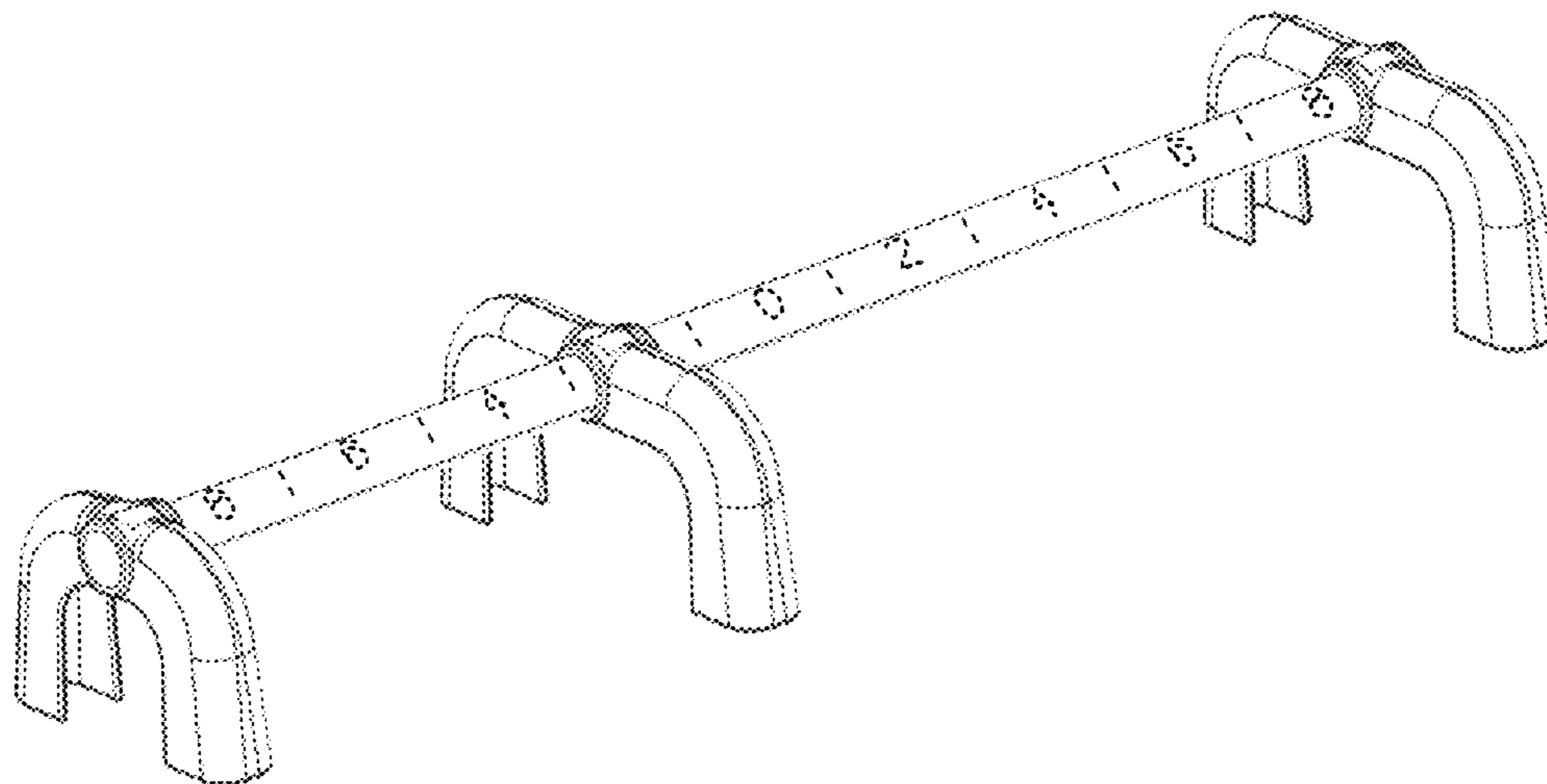
(57) **CLAIM**

The ornamental design for a putting training system, as shown and described.

**DESCRIPTION**

FIG. 1 is a perspective view of the putting training system, showing my new design;  
 FIG. 2 is a perspective view, the smaller base support is removed for clarity of illustration, the remaining two larger base supports shown in alternate positions;  
 FIG. 3 is a perspective view, one of the larger base supports is removed for clarity of illustration, the remaining smaller and larger base supports shown in alternate positions;  
 FIG. 4 is a perspective view of FIG. 3, the base supports shown in alternate positions;  
 FIG. 5 is a top plan view of FIG. 3;  
 FIG. 6 is an exploded elevational view of the base supports;  
 FIG. 7 is a perspective view of FIG. 3, the base supports shown in alternate positions; and,  
 FIG. 8 is a top plan view of FIG. 7.  
 The broken line showing of the scale and numbers disclosed on the rod, putter head and golf ball are for the purpose of illustrating and forms no part of the claimed design.

**1 Claim, 8 Drawing Sheets**



(56)

**References Cited**

U.S. PATENT DOCUMENTS

D810,219 S \* 2/2018 Escamilla ..... D21/791  
D817,431 S \* 5/2018 Masucci ..... D21/791  
2013/0303298 A1\* 11/2013 Riedl ..... A63B 69/3676  
473/257

\* cited by examiner

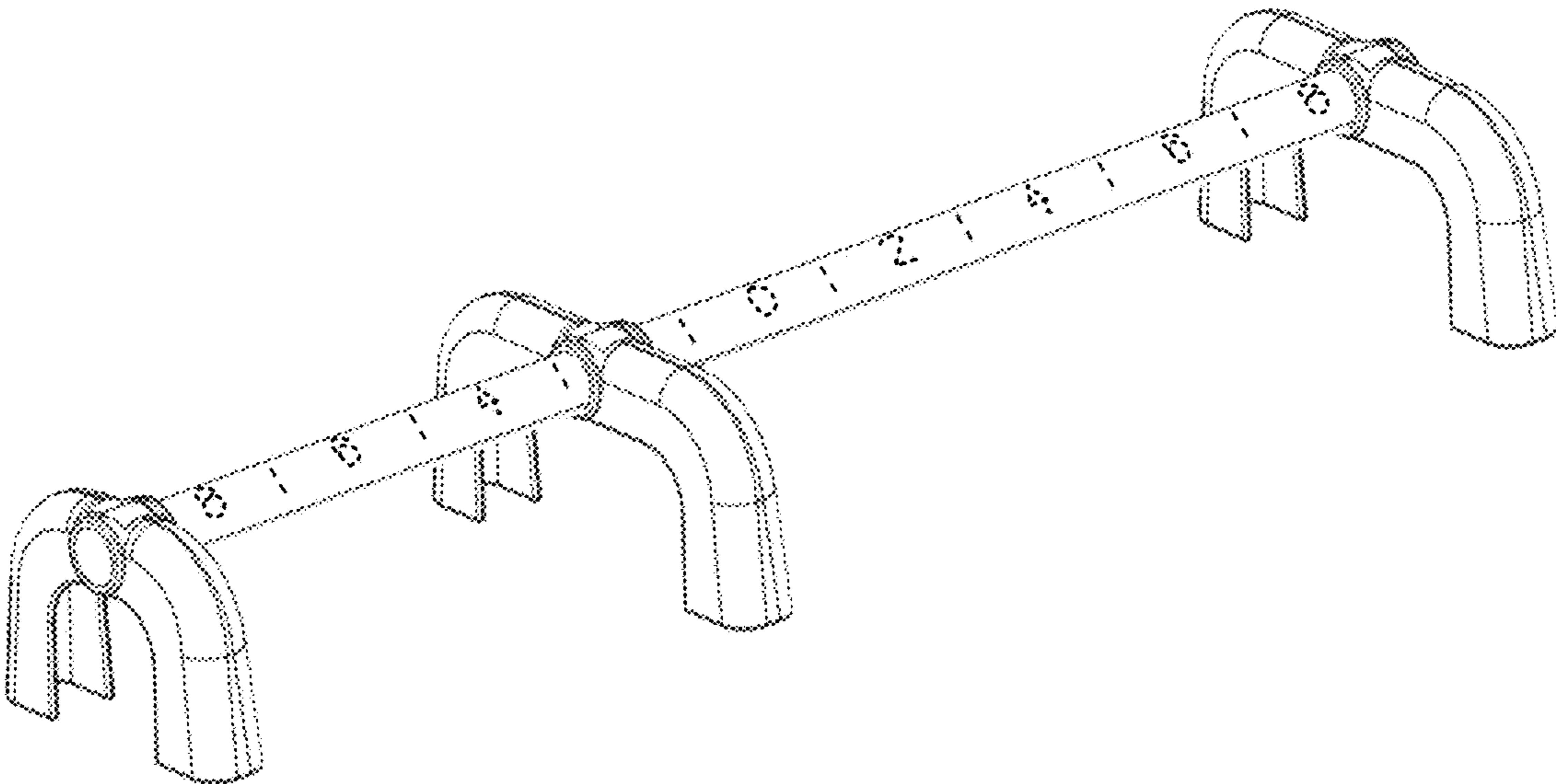


FIG. 1

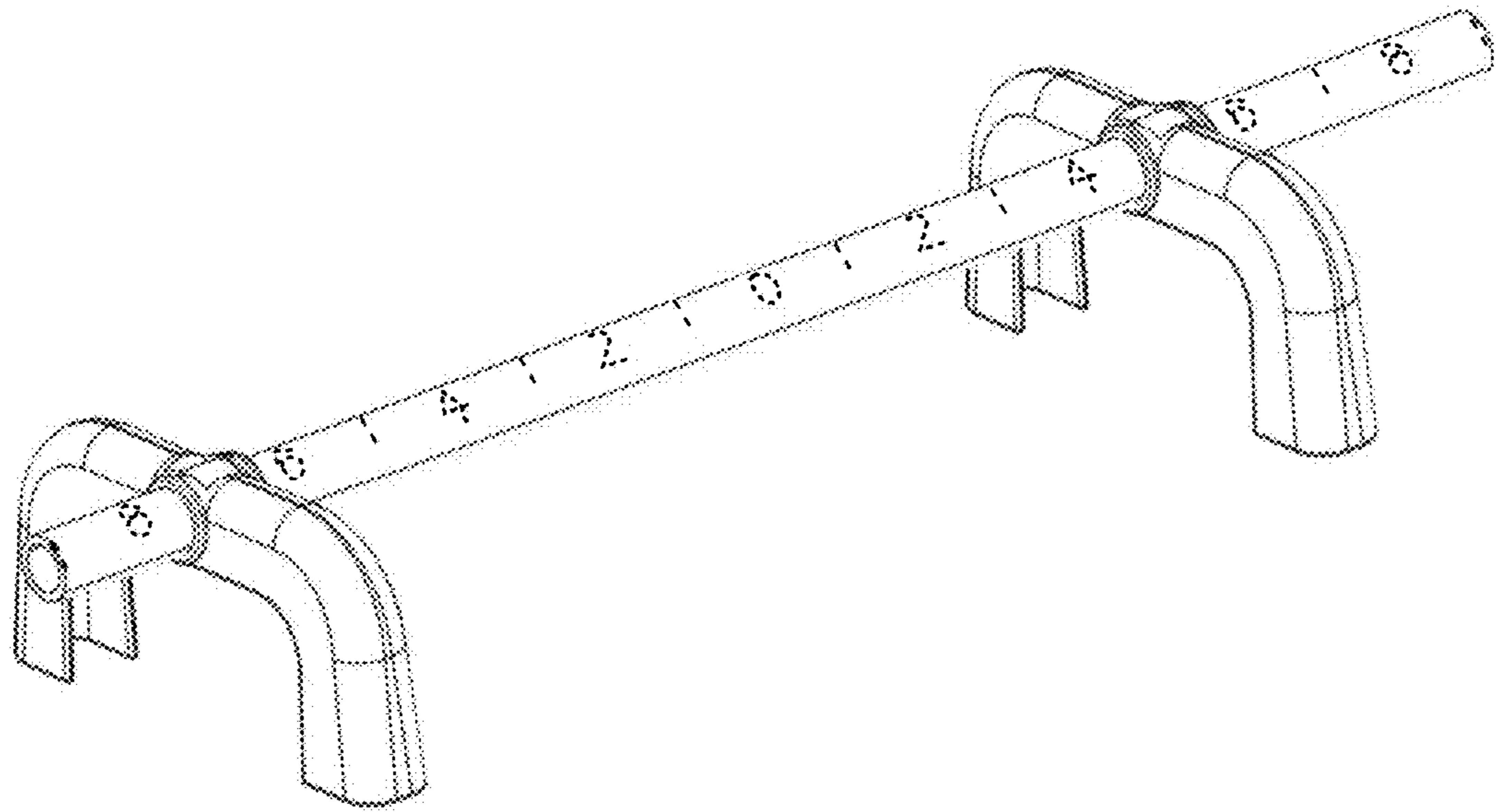


FIG. 2

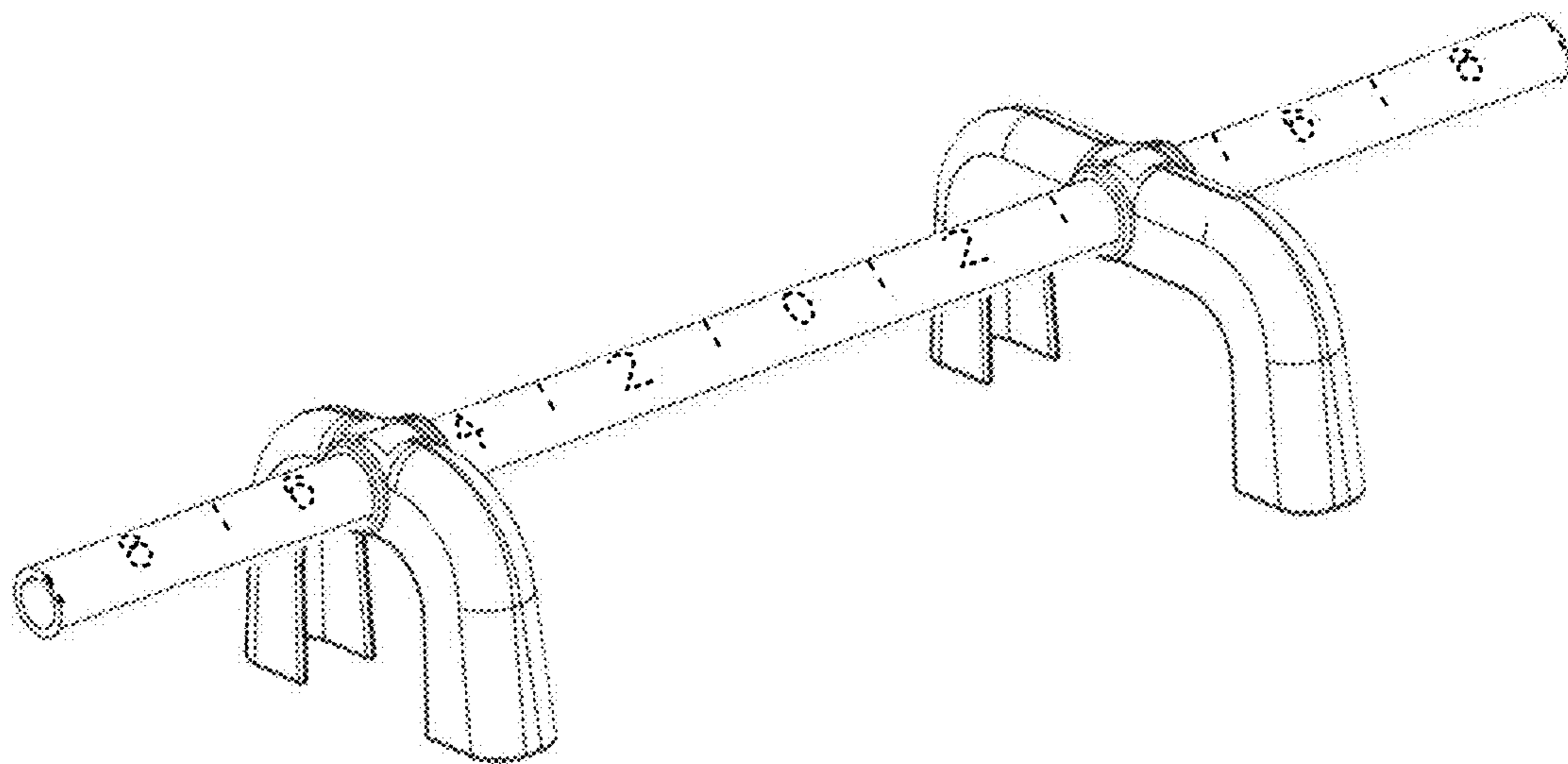


FIG. 3

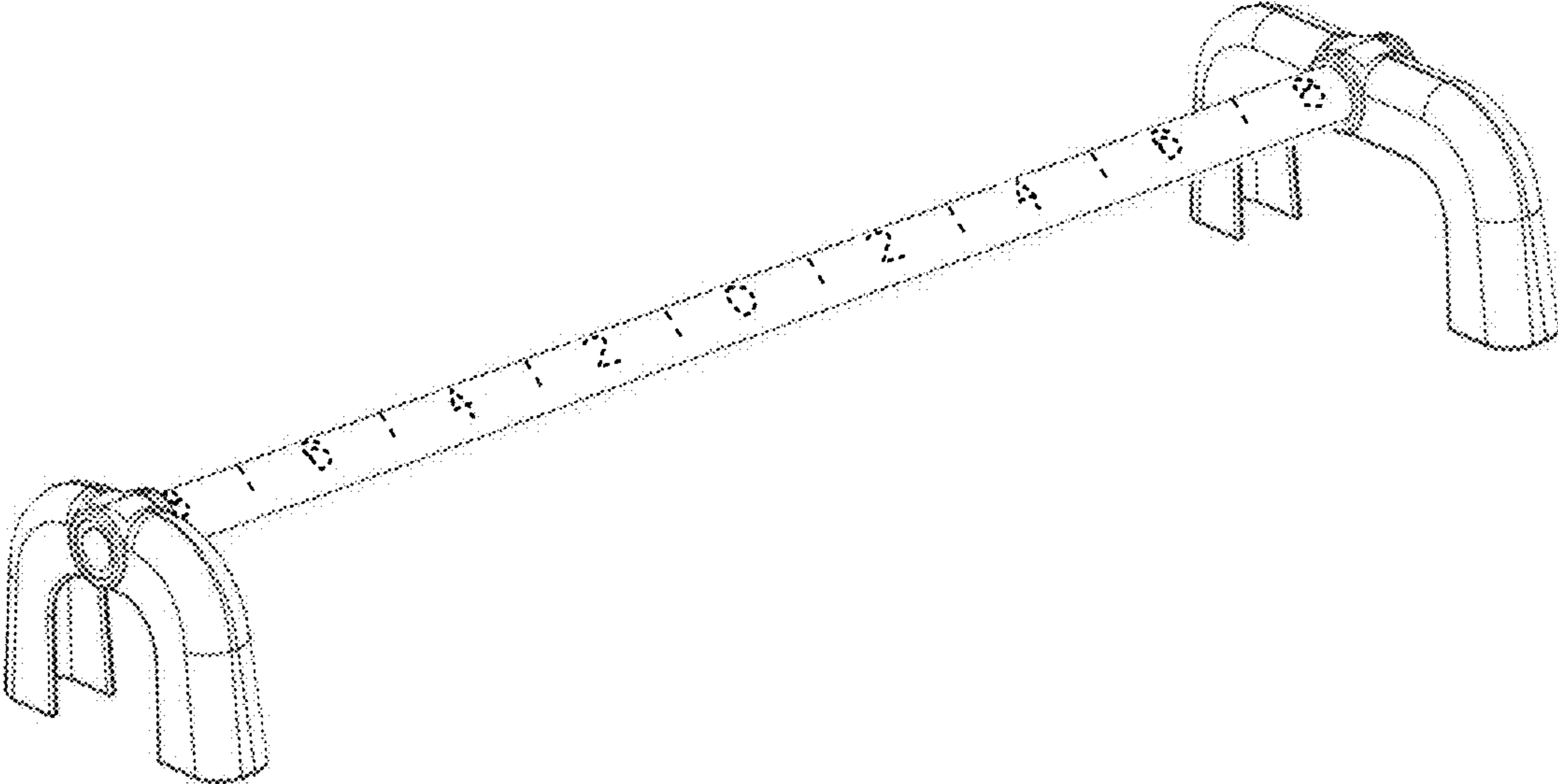


FIG. 4

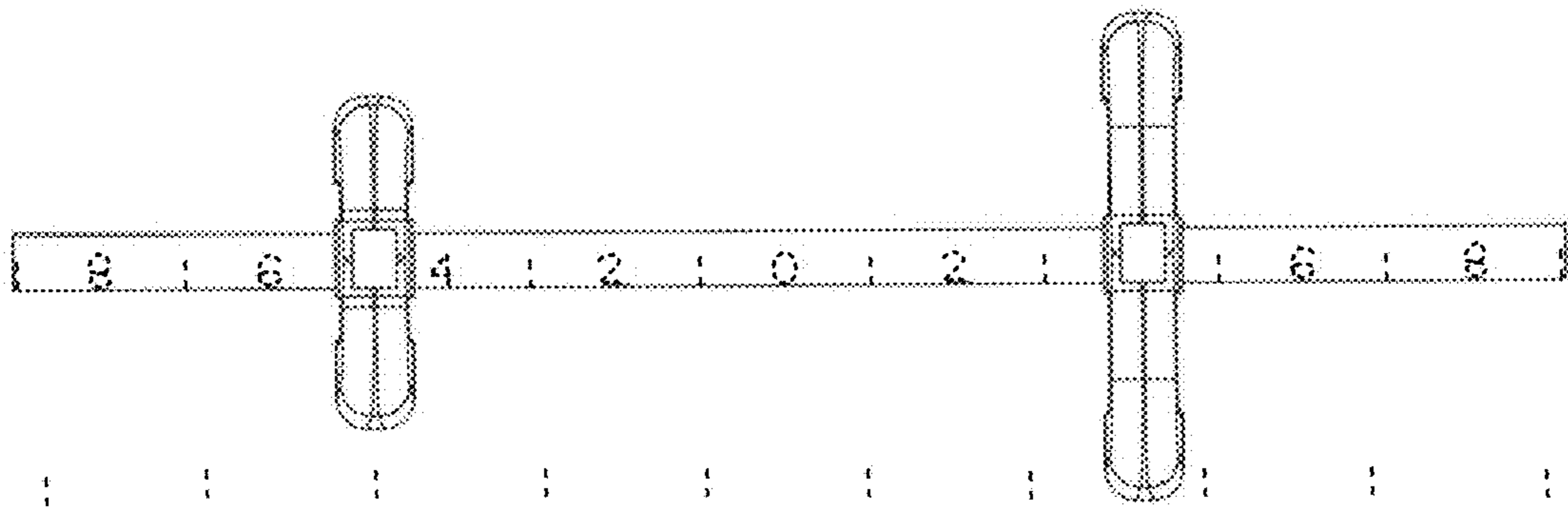


FIG. 5

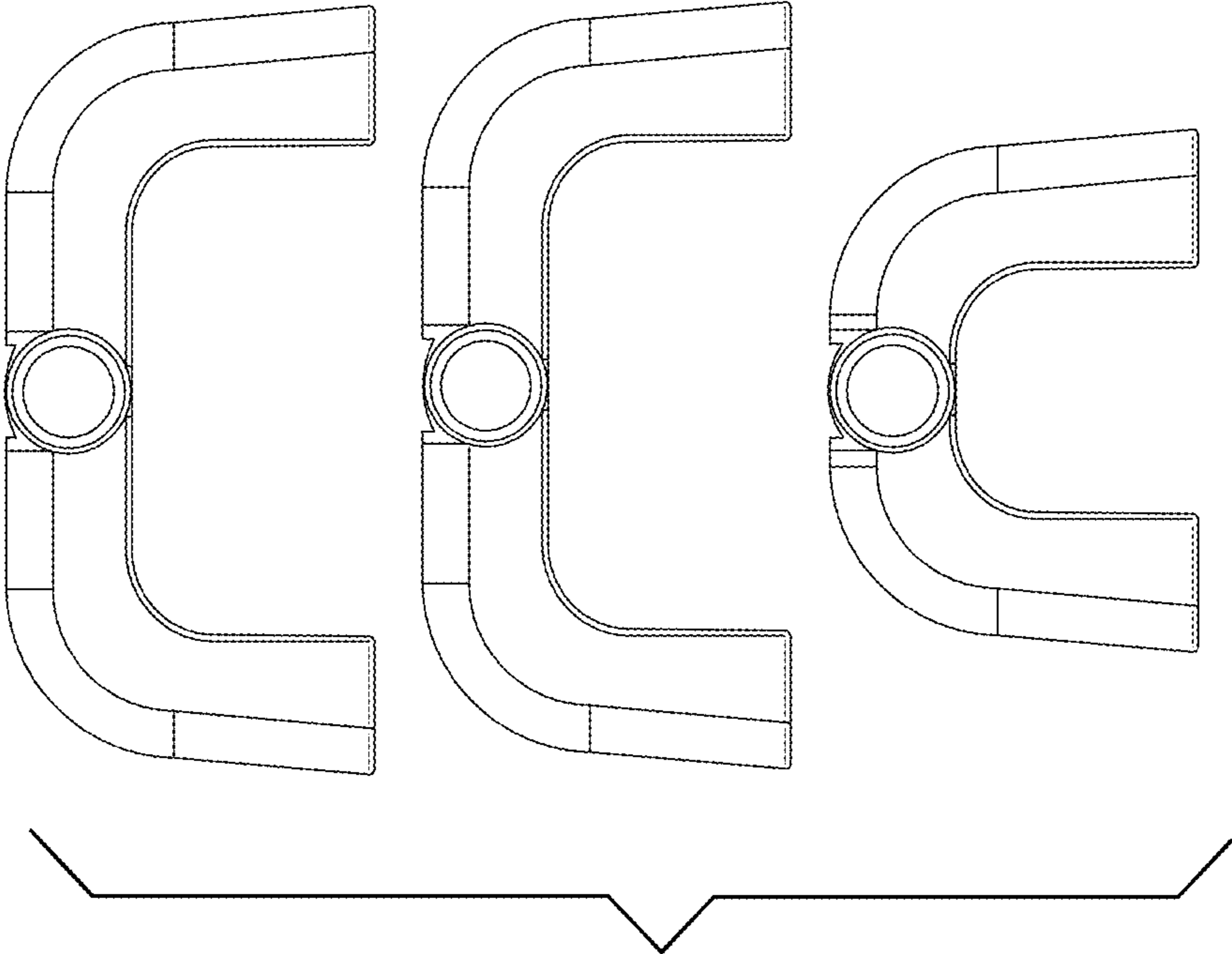


FIG. 6



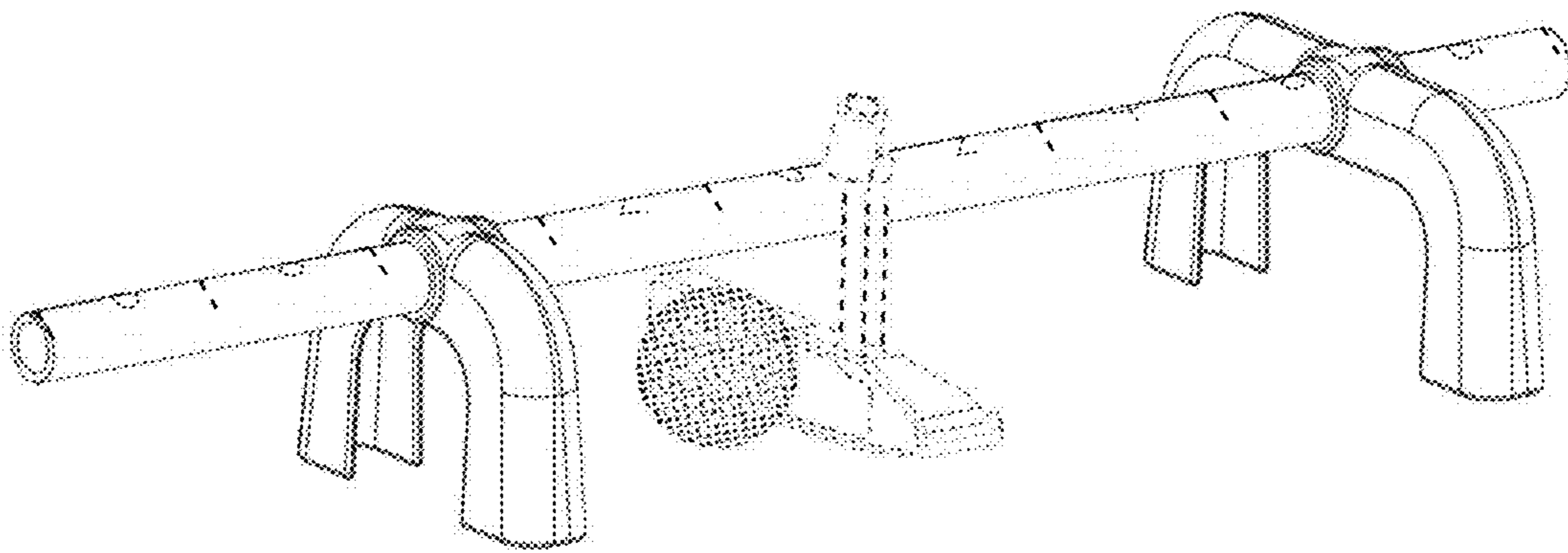


FIG. 7

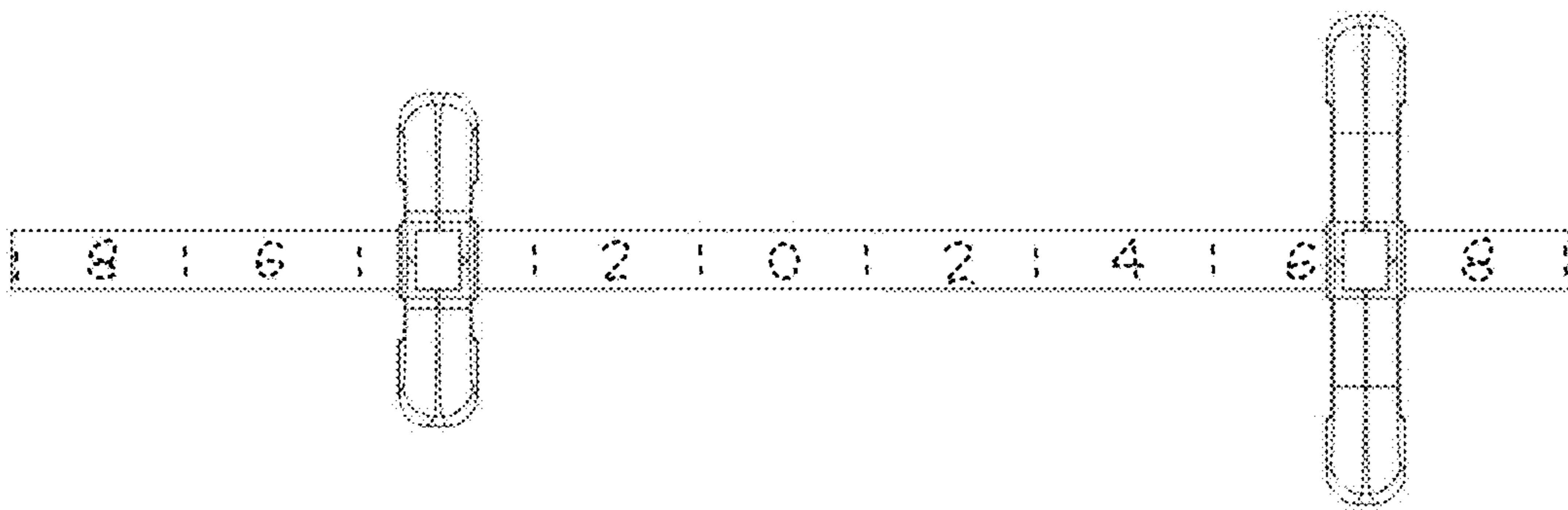


FIG. 8