



US00D845414S

(12) **United States Design Patent**  
**Clarke et al.**

(10) **Patent No.:** **US D845,414 S**  
(45) **Date of Patent:** **\*\* Apr. 9, 2019**

- (54) **GOLF CLUB GRIP**
- (71) Applicant: **KARSTEN MANUFACTURING CORPORATION**, Phoenix, AZ (US)
- (72) Inventors: **Jacob T. Clarke**, Phoenix, AZ (US); **Anthony D. Serrano**, Anthem, AZ (US); **Xiaojian Chen**, Phoenix, AZ (US); **Martin R. Jertson**, Cave Creek, AZ (US)
- (73) Assignee: **Karsten Manufacturing Corporation**, Phoenix, AZ (US)

D290,730 S	7/1987	Solheim	
D295,207 S *	4/1988	Mahaffey	D21/756
D307,169 S	4/1990	Aldridge	
D315,006 S	2/1991	Solheim	
D322,637 S	12/1991	Aldridge	
D325,614 S *	4/1992	Mermillod	D21/756
D333,333 S	2/1993	Solheim	
D345,192 S	3/1994	Solheim	
D357,295 S	4/1995	Solheim	
D362,891 S	10/1995	Solheim	
5,460,372 A *	10/1995	Cook	A63B 53/14 473/204
5,547,189 A *	8/1996	Billings	A63B 53/02 473/305
D376,400 S	12/1996	Nakazaki	
D391,330 S	2/1998	Solheim	
D399,282 S	10/1998	Jarrett	
D414,233 S	9/1999	Anderson	

(\*\*) Term: **15 Years**

(21) Appl. No.: **29/600,079**

(22) Filed: **Apr. 10, 2017**

(51) **LOC (11) Cl.** ..... **21-02**

(52) **U.S. Cl.**  
USPC ..... **D21/756**

(58) **Field of Classification Search**  
USPC ..... D21/756-758  
CPC ..... A63B 60/06-60/34; A63B 60/00; A63B 60/46; A63B 59/20; A63B 59/40; A63B 59/60-59/80; A63B 49/00-49/14; A63B 53/00-53/14

See application file for complete search history.

(56) **References Cited**

**U.S. PATENT DOCUMENTS**

D221,345 S *	8/1971	Dworak	D21/756
D221,645 S	8/1971	Dworak	
4,179,125 A *	12/1979	Cone	A63B 69/3632 473/241
D254,926 S	5/1980	Solheim	
D281,991 S	12/1985	Solheim	
D287,527 S	12/1986	Solheim	
4,629,191 A	12/1986	Mancuso	

**FOREIGN PATENT DOCUMENTS**

JP	0877871	9/1993
JP	1384372	4/2010
JP	1401882	11/2010

*Primary Examiner* — Mitchell I. Siegel

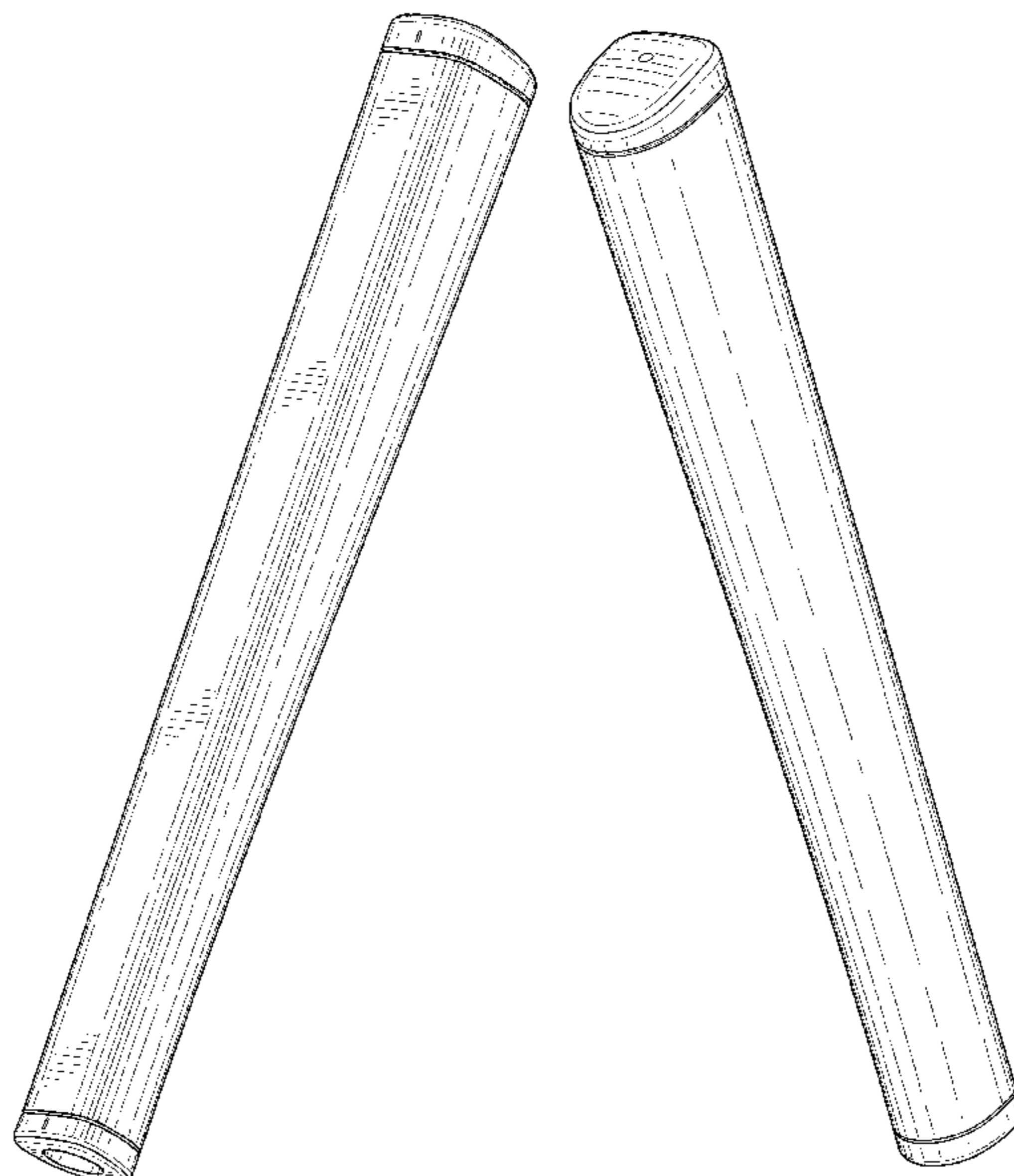
(57) **CLAIM**

The ornamental design for a golf club grip, as shown and described.

**DESCRIPTION**

FIG. 1 is a front perspective view of a golf club grip; FIG. 2 is a back perspective view of the golf club grip of FIG. 1; FIG. 3 is a front view of the golf club grip of FIG. 1; FIG. 4 is a rear view of the golf club grip of FIG. 1; FIG. 5 is a left side view of the golf club grip of FIG. 1; FIG. 6 is a right side view of the golf club grip of FIG. 1; FIG. 7 is a top view of the golf club grip of FIG. 1; and, FIG. 8 is a bottom view of the golf club grip of FIG. 1.

**1 Claim, 5 Drawing Sheets**



(56)

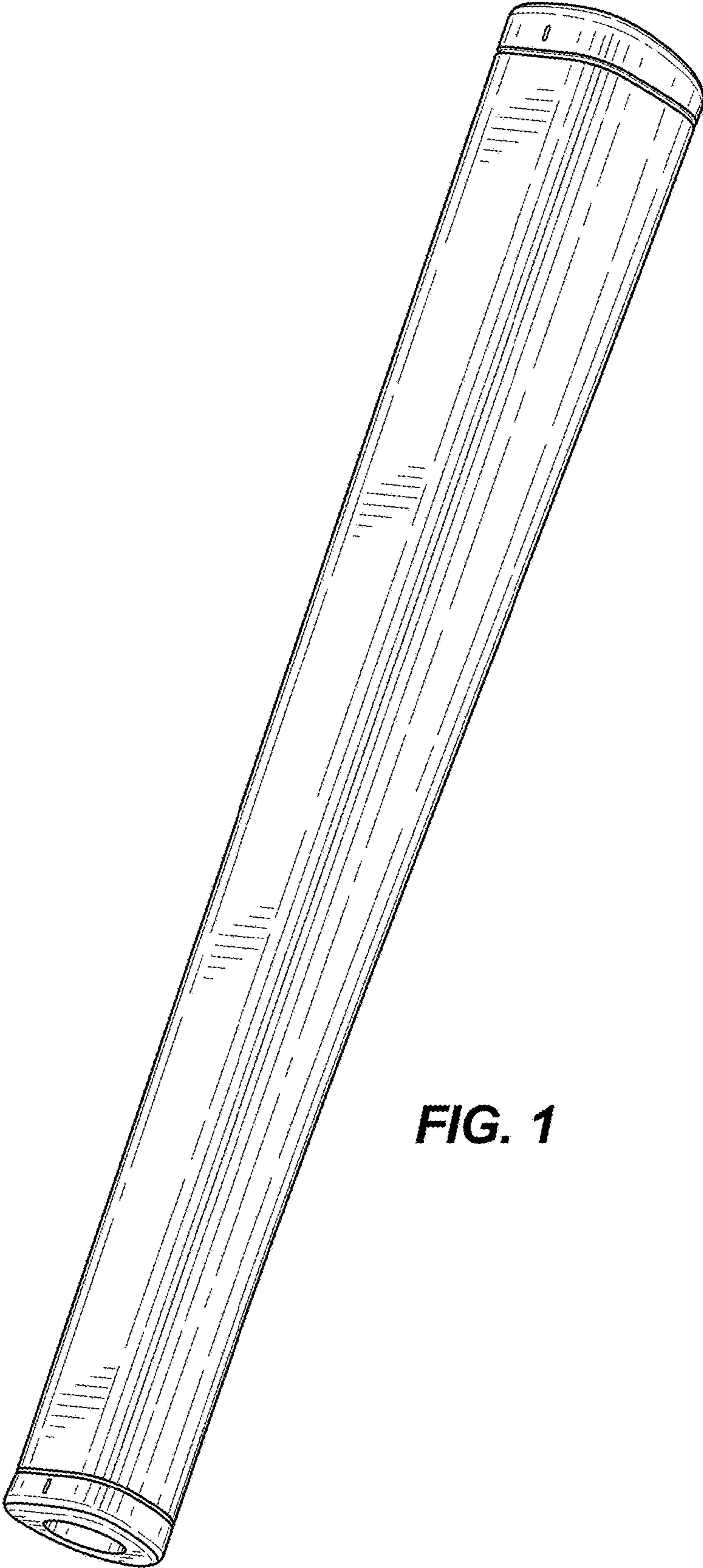
References Cited

U.S. PATENT DOCUMENTS

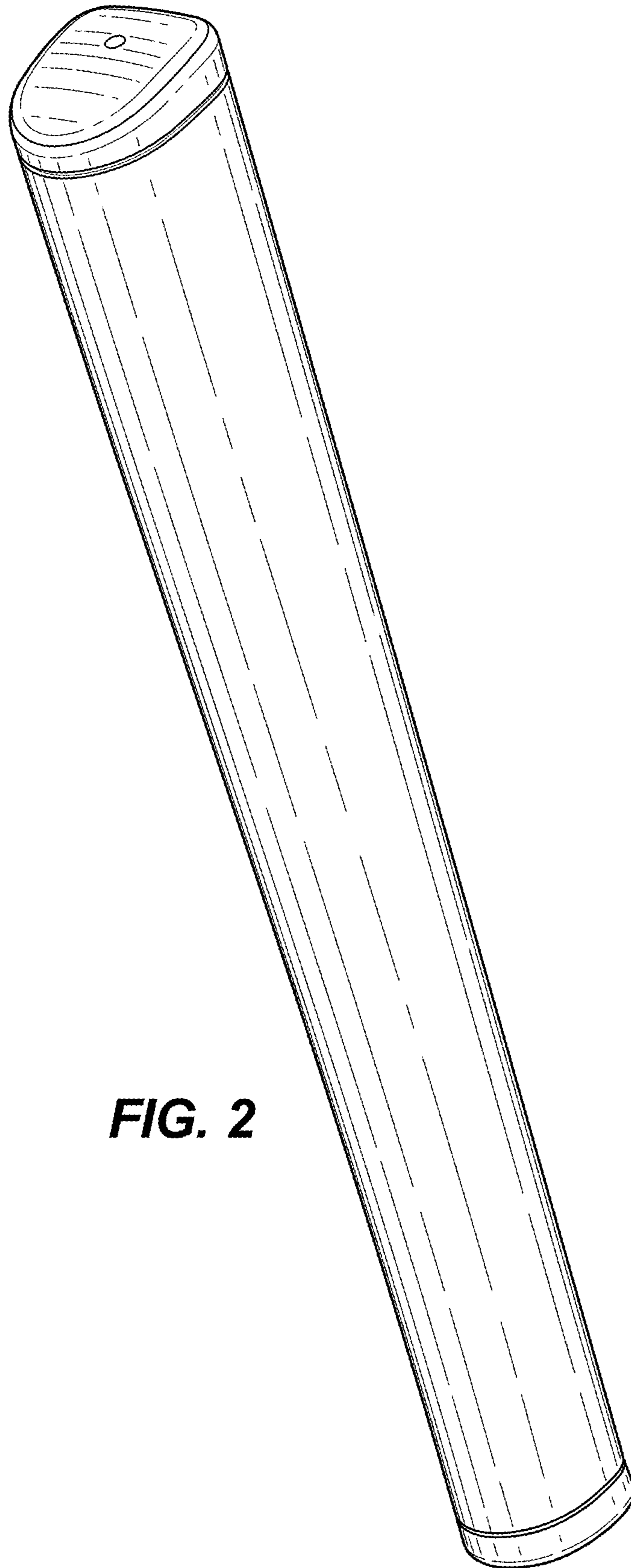
D424,147 S 5/2000 Vela  
 D431,851 S 10/2000 Anderson  
 D494,650 S 8/2004 Petersen  
 6,783,463 B2\* 8/2004 Zichmanis ..... A63B 53/14  
 473/204  
 D512,758 S 12/2005 Tuerschmann  
 D524,390 S 7/2006 Tuerschmann  
 D531,243 S \* 10/2006 Davis ..... D21/756  
 D534,602 S \* 1/2007 Norton ..... D21/756  
 D534,603 S \* 1/2007 Norton ..... D21/756  
 D534,604 S \* 1/2007 Norton ..... D21/756  
 D534,605 S \* 1/2007 Norton ..... D21/756  
 D534,606 S \* 1/2007 Norton ..... D21/756  
 D534,607 S \* 1/2007 Norton ..... D21/756  
 D534,975 S \* 1/2007 Norton ..... D21/756  
 D538,868 S \* 3/2007 Norton ..... D21/756  
 D545,388 S \* 6/2007 Chen ..... D21/756  
 D547,406 S \* 7/2007 Noyes ..... D21/756  
 D548,808 S 8/2007 Chen  
 D554,723 S \* 11/2007 Savasky ..... D21/756  
 D554,724 S \* 11/2007 Savasky ..... D21/756  
 D556,847 S \* 12/2007 DeVaney ..... D21/756  
 D562,923 S \* 2/2008 DeVaney ..... D21/756  
 D576,240 S \* 9/2008 Chen ..... D21/756  
 D576,241 S \* 9/2008 Chen ..... D21/756  
 D581,001 S \* 11/2008 Chen ..... D21/756

D581,002 S \* 11/2008 Chen ..... D21/756  
 D588,218 S 3/2009 Chen  
 D590,465 S 4/2009 Chen  
 D592,262 S \* 5/2009 Devaney ..... D21/756  
 D592,263 S \* 5/2009 Devaney ..... D21/756  
 D592,264 S \* 5/2009 Devaney ..... D21/756  
 D592,265 S \* 5/2009 Devaney ..... D21/756  
 D592,266 S \* 5/2009 Devaney ..... D21/756  
 D592,267 S \* 5/2009 Devaney ..... D21/756  
 D595,378 S \* 6/2009 Devaney ..... D21/756  
 D595,379 S \* 6/2009 Devaney ..... D21/756  
 D595,796 S \* 7/2009 Devaney ..... D21/756  
 D597,622 S \* 8/2009 Devaney ..... D21/756  
 D599,871 S 9/2009 Jertson  
 D616,516 S \* 5/2010 Chen ..... D21/756  
 D631,118 S 1/2011 Chen  
 D634,803 S 3/2011 Chen  
 D638,503 S 5/2011 Lidenberg  
 D638,504 S 5/2011 Lidenberg  
 D675,271 S 1/2013 Solheim  
 D717,894 S \* 11/2014 Dingman ..... D21/756  
 D726,267 S 4/2015 Bacon et al.  
 D733,236 S \* 6/2015 Serrano ..... D21/756  
 D733,237 S 6/2015 Serrano et al.  
 D738,973 S \* 9/2015 Dingman ..... D21/756  
 D774,612 S \* 12/2016 Dingman ..... D21/756  
 D794,147 S \* 8/2017 Davis ..... D21/756  
 D796,609 S \* 9/2017 Serrano ..... D21/756  
 D809,079 S \* 1/2018 Jertson ..... D21/756

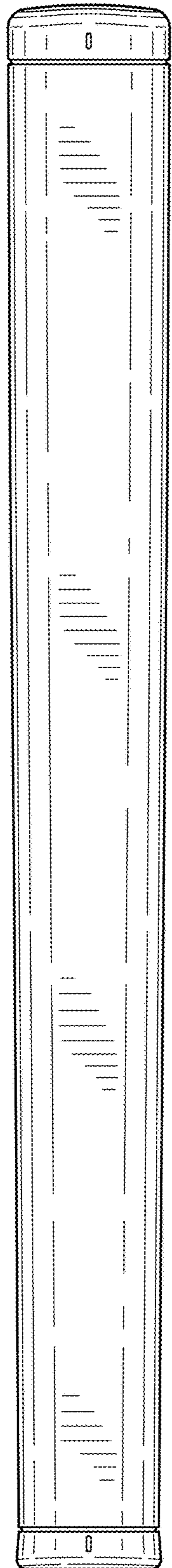
\* cited by examiner



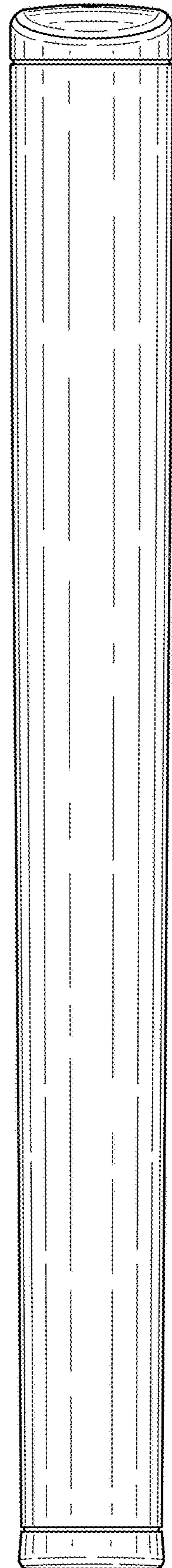
**FIG. 1**



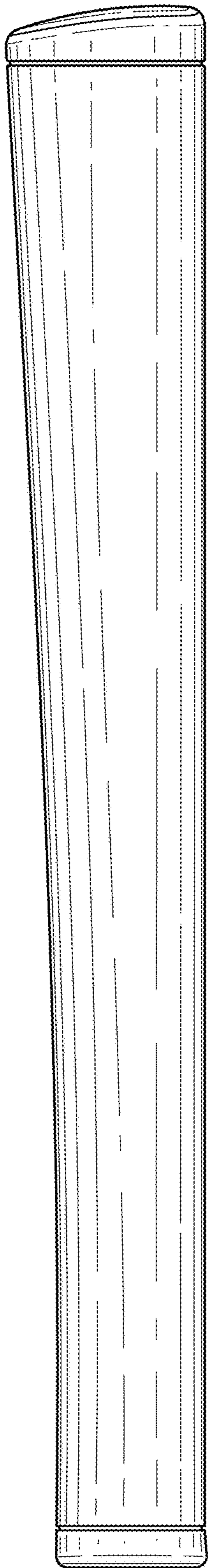
**FIG. 2**



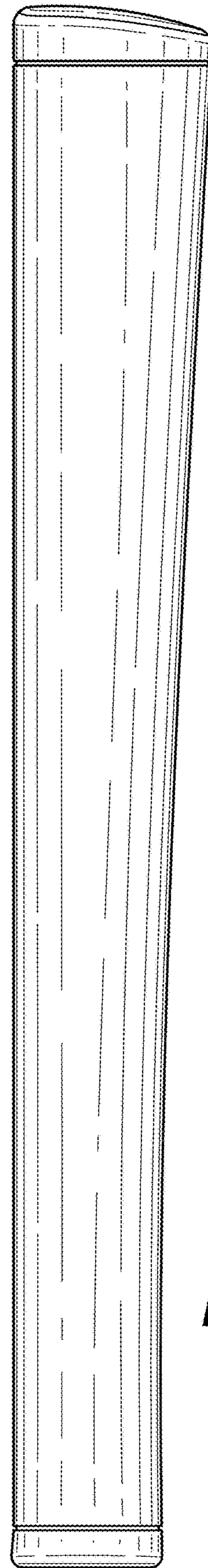
**FIG. 3**



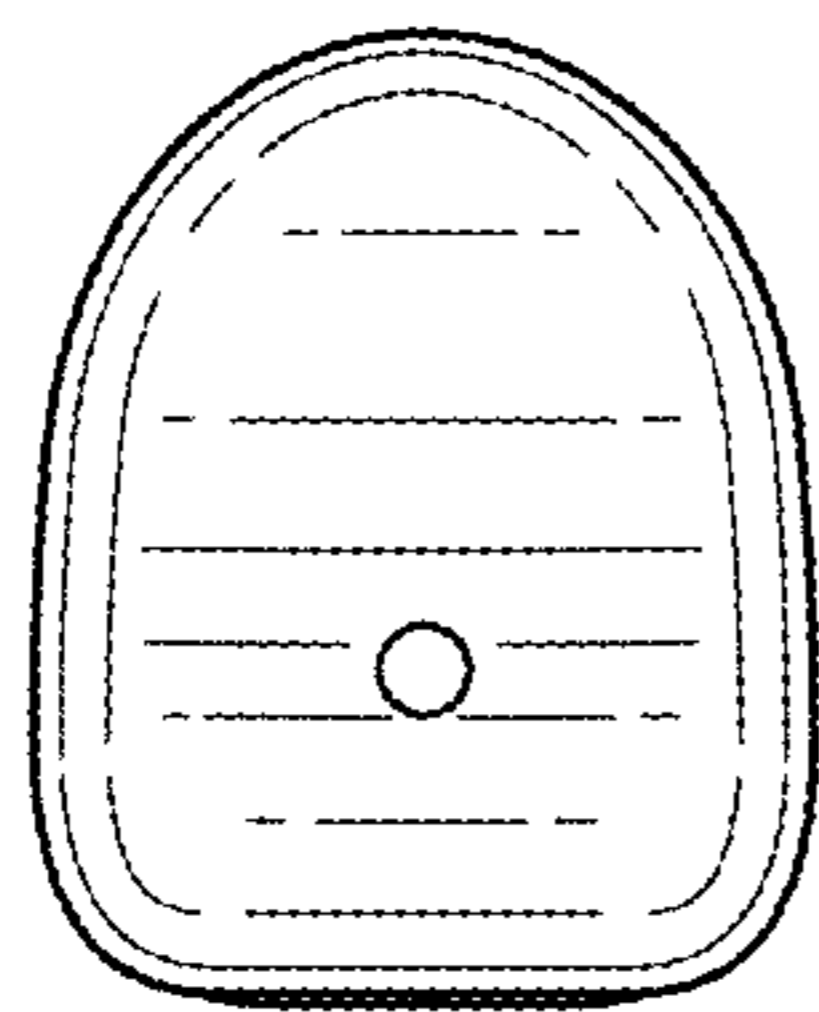
**FIG. 4**



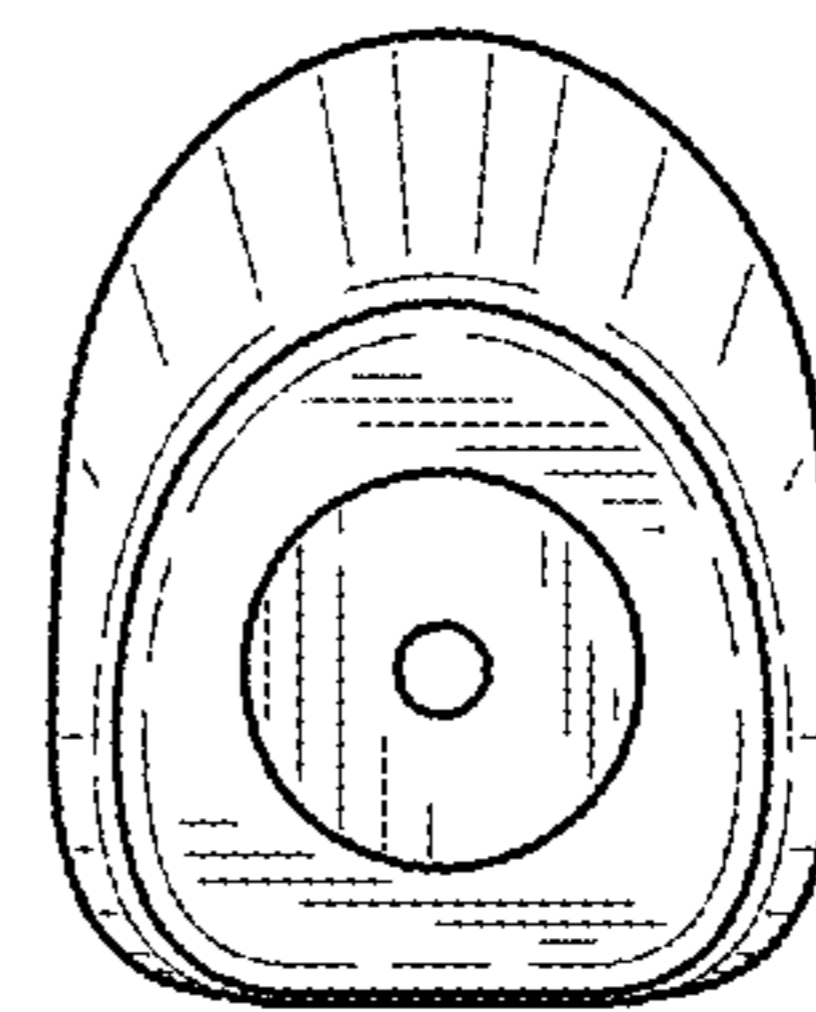
**FIG. 5**



**FIG. 6**



**FIG. 7**



**FIG. 8**