



US00D845413S

(12) **United States Design Patent**
Sargent et al.

(10) **Patent No.:** **US D845,413 S**

(45) **Date of Patent:** **** Apr. 9, 2019**

(54) **GOLF CLUB HEAD**

(71) Applicant: **Taylor Made Golf Company, Inc.**,
Carlsbad, CA (US)

(72) Inventors: **Nathan T. Sargent**, Oceanside, CA
(US); **Joseph Reeve Nielson**, Vista, CA
(US); **Christopher John Harbert**,
Carlsbad, CA (US); **Todd P. Beach**,
Encinitas, CA (US); **Brian Bazzel**,
Carlsbad, CA (US); **Mark Vincent**
Greaney, Vista, CA (US); **Christian**
Reber Wester, San Diego, CA (US);
Craig Richard Slyfield, San Diego, CA
(US)

(73) Assignee: **Taylor Made Golf Company, Inc.**,
Carlsbad, CA (US)

(**) Term: **15 Years**

(21) Appl. No.: **29/623,313**

(22) Filed: **Oct. 24, 2017**

Related U.S. Application Data

(63) Continuation of application No. 29/570,556, filed on
Jul. 8, 2016, now Pat. No. Des. 802,692, which is a
continuation of application No. 29/543,709, filed on
Oct. 27, 2015, now Pat. No. Des. 782,590, which is a
continuation of application No. 29/534,382, filed on
Jul. 28, 2015, now Pat. No. Des. 770,584.

(51) **LOC (11) Cl.** **21-02**

(52) **U.S. Cl.**
USPC **D21/752**

(58) **Field of Classification Search**
USPC D21/733, 752, 759
CPC A63B 53/00; A63B 53/04; A63B 53/0466;
A63B 2053/002; A63B 2053/0445; A63B
2053/0433; A63B 2053/0491; A63B
2053/0437

See application file for complete search history.

(56) **References Cited**

U.S. PATENT DOCUMENTS

D557,363 S * 12/2007 Jertson D21/752
D558,287 S * 12/2007 Jertson D21/752
D558,288 S * 12/2007 Jertson D21/752
D579,064 S * 10/2008 Beach D21/752

(Continued)

FOREIGN PATENT DOCUMENTS

JP 3109501 U 3/2005
JP 2006-320493 A 11/2006

Primary Examiner — Mitchell I. Siegel

(74) *Attorney, Agent, or Firm* — Klarquist Sparkman LLP

(57) **CLAIM**

We claim the ornamental design for a golf club head, as
shown and described.

DESCRIPTION

FIG. 1 is a perspective view of a golf club head, as viewed
from the bottom and one side, according to one embodiment.
FIG. 2 is a front elevation view of the golf club head of FIG.
1.

FIG. 3 is a rear elevation view of the golf club head of FIG.
1.

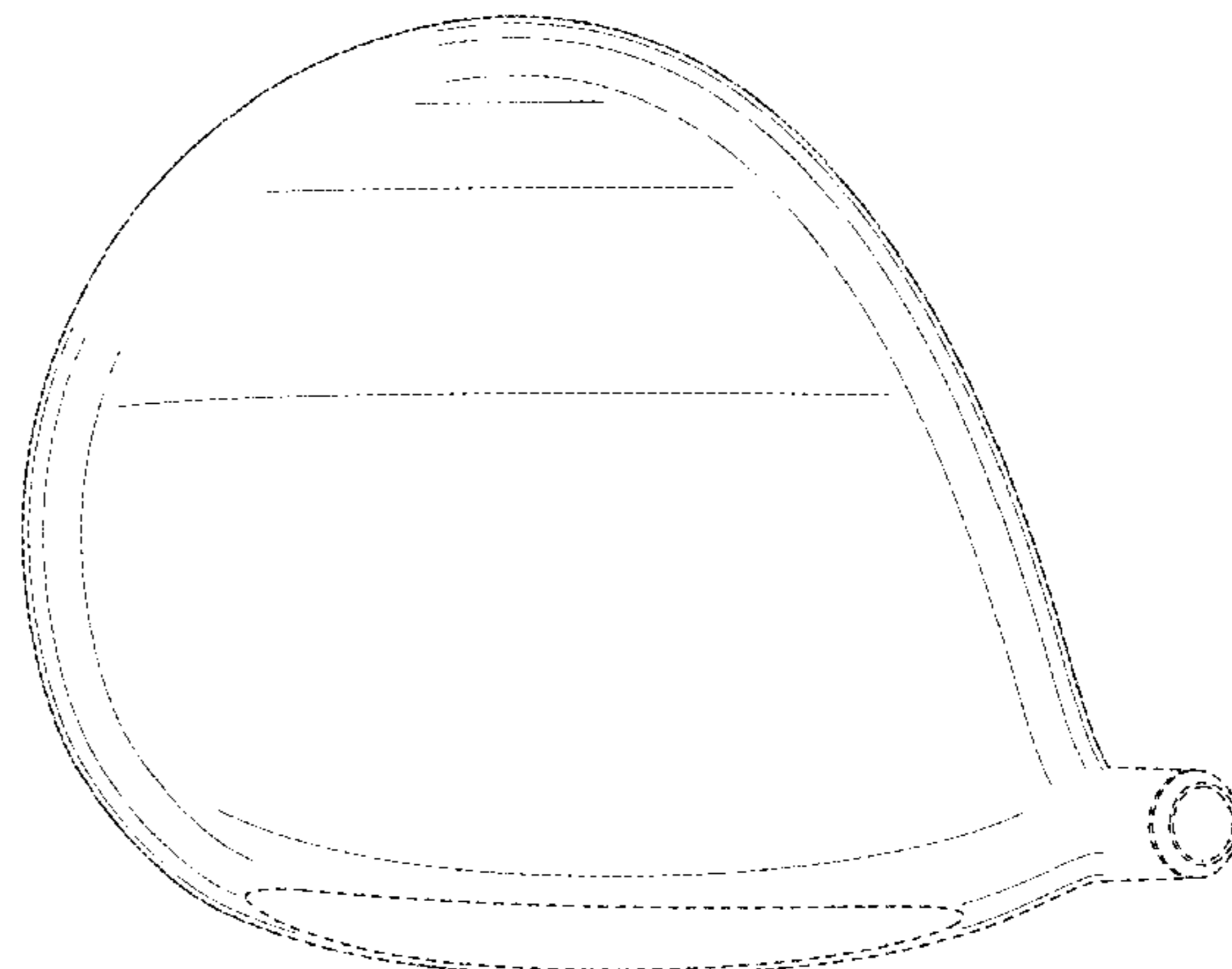
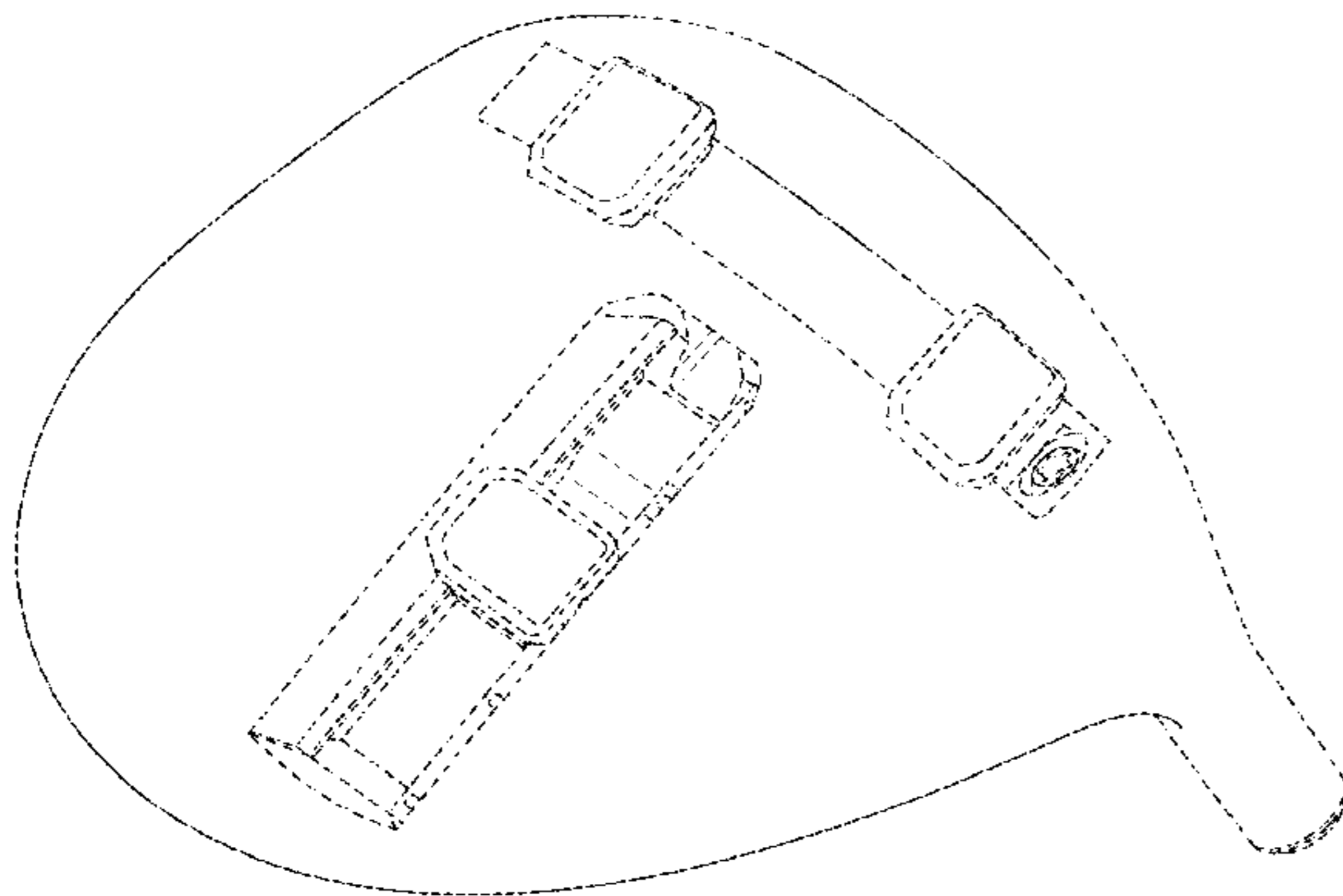
FIG. 4 is a side elevation view of a toe side of the golf club
head of FIG. 1.

FIG. 5 is a side elevation view of an opposite heel side of the
golf club head of FIG. 1.

FIG. 6 is a top plan view of the golf club head of FIG. 1; and,
FIG. 7 is a bottom plan view of the golf club head of FIG.
1.

The dashed lines in the drawings are for purposes of
illustrating environmental structure as well as portions of the
design that form no part of the present claimed design.

1 Claim, 5 Drawing Sheets



(56)

References Cited

U.S. PATENT DOCUMENTS

D617,403 S *	6/2010	Llewellyn	D21/752	8,888,607 B2 *	11/2014	Harbert	A63B 53/04 473/307
D618,746 S *	6/2010	Jertson	D21/752	D724,165 S	3/2015	Cardani et al.		
D618,747 S *	6/2010	Schweigert	D21/752	8,986,133 B2	3/2015	Bennett et al.		
D628,257 S	11/2010	Albertsen			9,089,747 B2	7/2015	Boyd et al.		
D630,278 S	1/2011	Albertsen			9,089,749 B2	7/2015	Burnett et al.		
D630,696 S	1/2011	Albertsen			9,168,428 B2 *	10/2015	Albertsen	A63B 53/0466
D631,119 S	1/2011	Albertsen			9,220,953 B2 *	12/2015	Beach	A63B 53/04
D655,363 S	3/2012	Vrska			D767,694 S	9/2016	Nielson et al.		
8,235,844 B2	8/2012	Albertsen et al.			D770,584 S *	11/2016	Sargent	D21/759
D675,272 S	1/2013	Greensmith et al.			D774,152 S *	12/2016	Beach	D21/752
D686,679 S	7/2013	Greensmith et al.			D782,590 S *	3/2017	Sargent	D21/759
D692,077 S	10/2013	Greensmith et al.			D783,105 S *	4/2017	Oyler	D21/752
D697,152 S	1/2014	Harbert et al.			D802,692 S *	11/2017	Sargent	D21/759
D708,280 S	7/2014	Sargent et al.			2007/0049417 A1	3/2007	Shear		
D709,571 S	7/2014	Sargent et al.			2014/0080622 A1	3/2014	Sargent et al.		
D709,572 S *	7/2014	Sargent	D21/759	2014/0080628 A1	3/2014	Sargent et al.		
8,821,312 B2	9/2014	Burnett et al.			2014/0080629 A1 *	3/2014	Sargent	A63B 53/0466 473/336
8,827,831 B2	9/2014	Burnett et al.			2016/0001146 A1	1/2016	Sargent et al.		
D714,891 S *	10/2014	Greensmith	D21/752	2016/0059093 A1 *	3/2016	Nielson	A63B 53/02 473/338
D714,892 S	10/2014	Atwell							
D714,896 S	10/2014	Turner et al.							

* cited by examiner

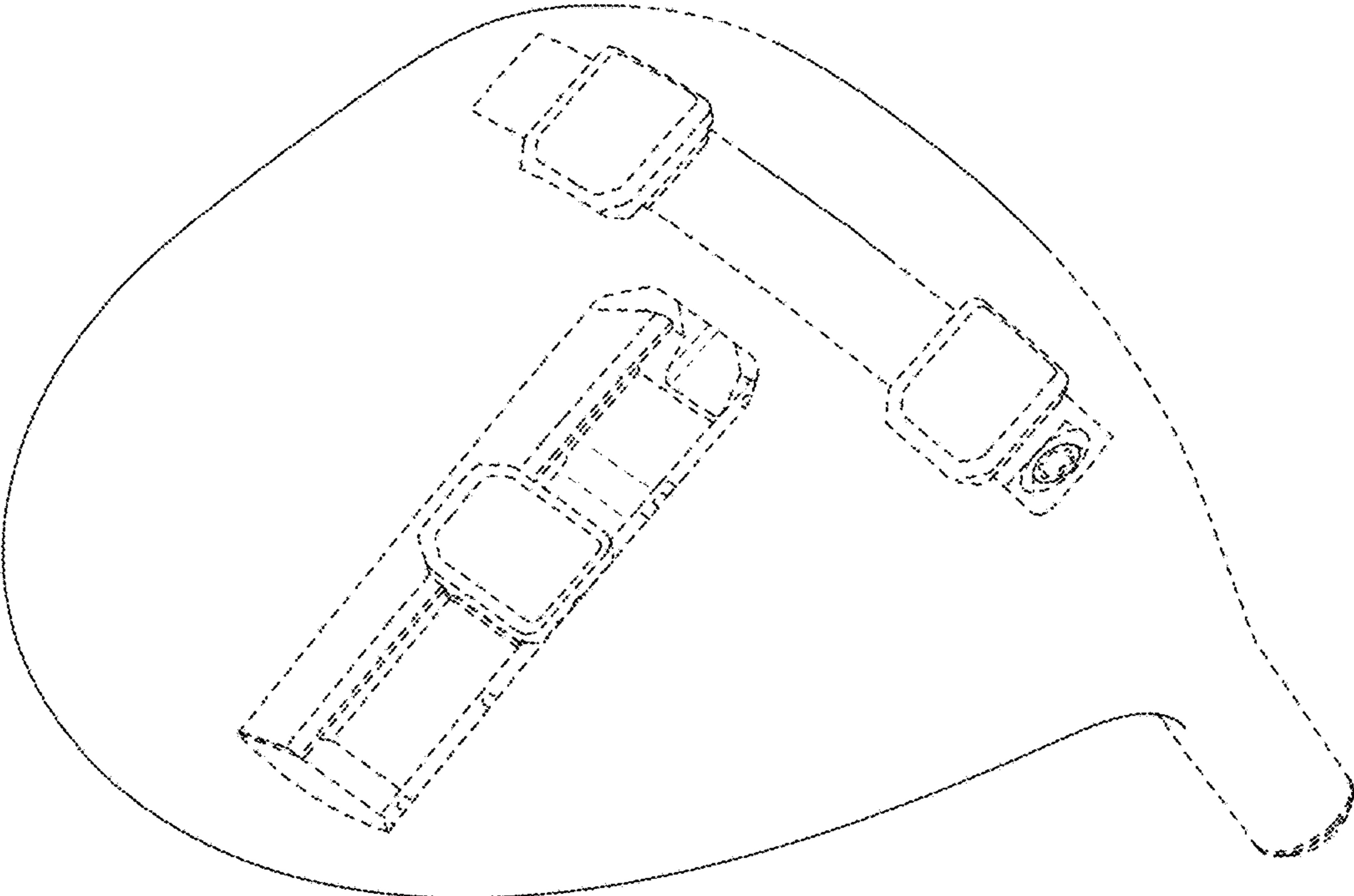


FIG. 1

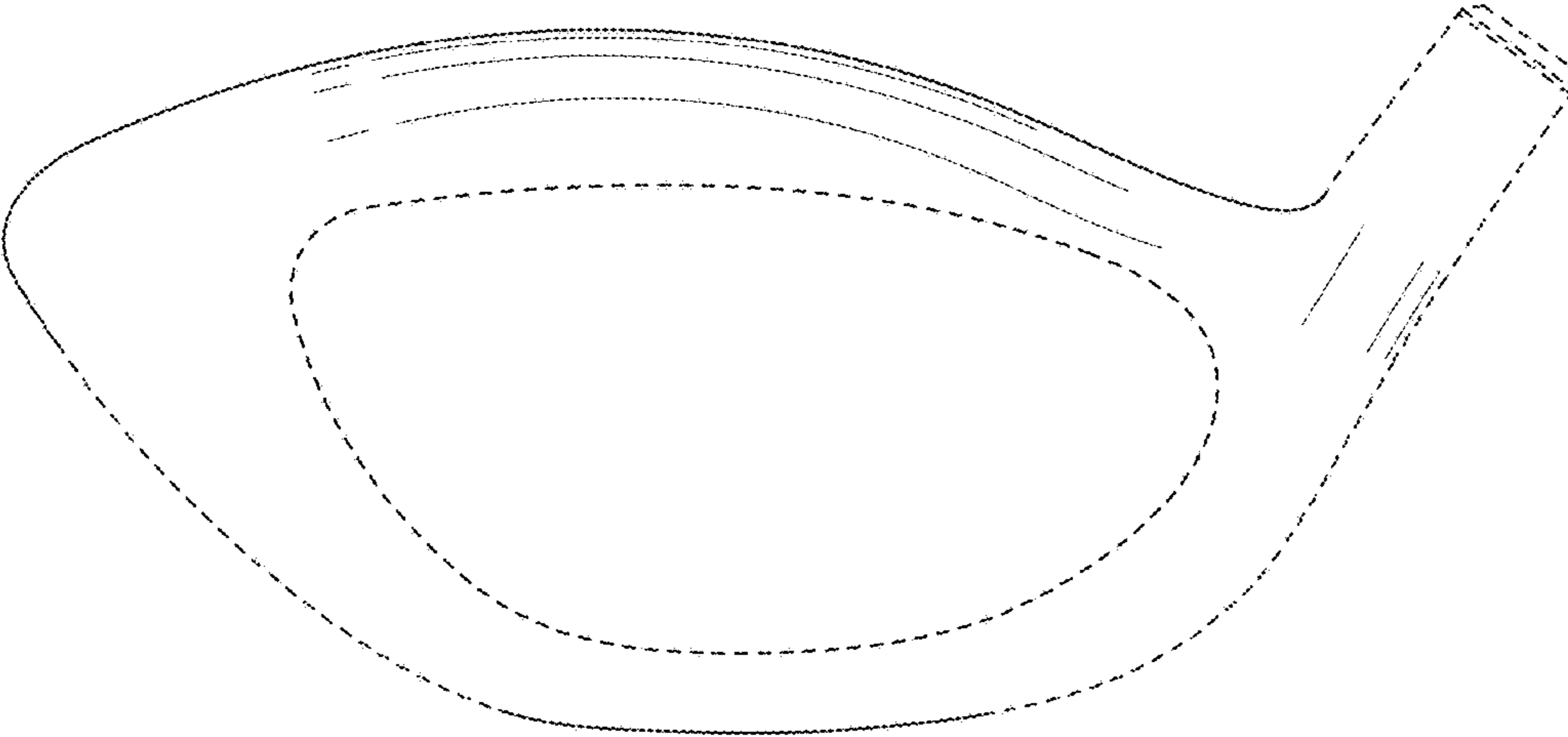


FIG. 2

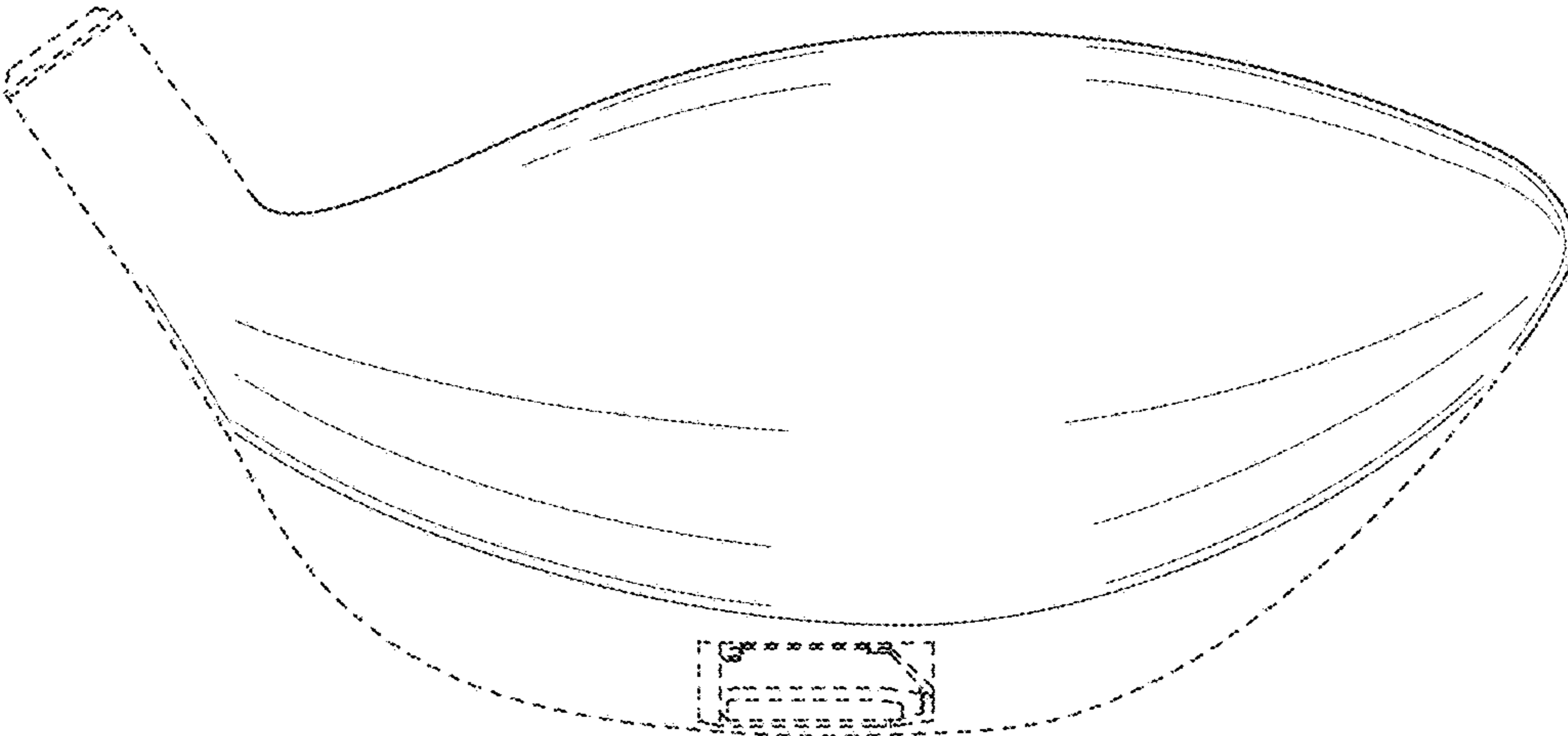


FIG. 3

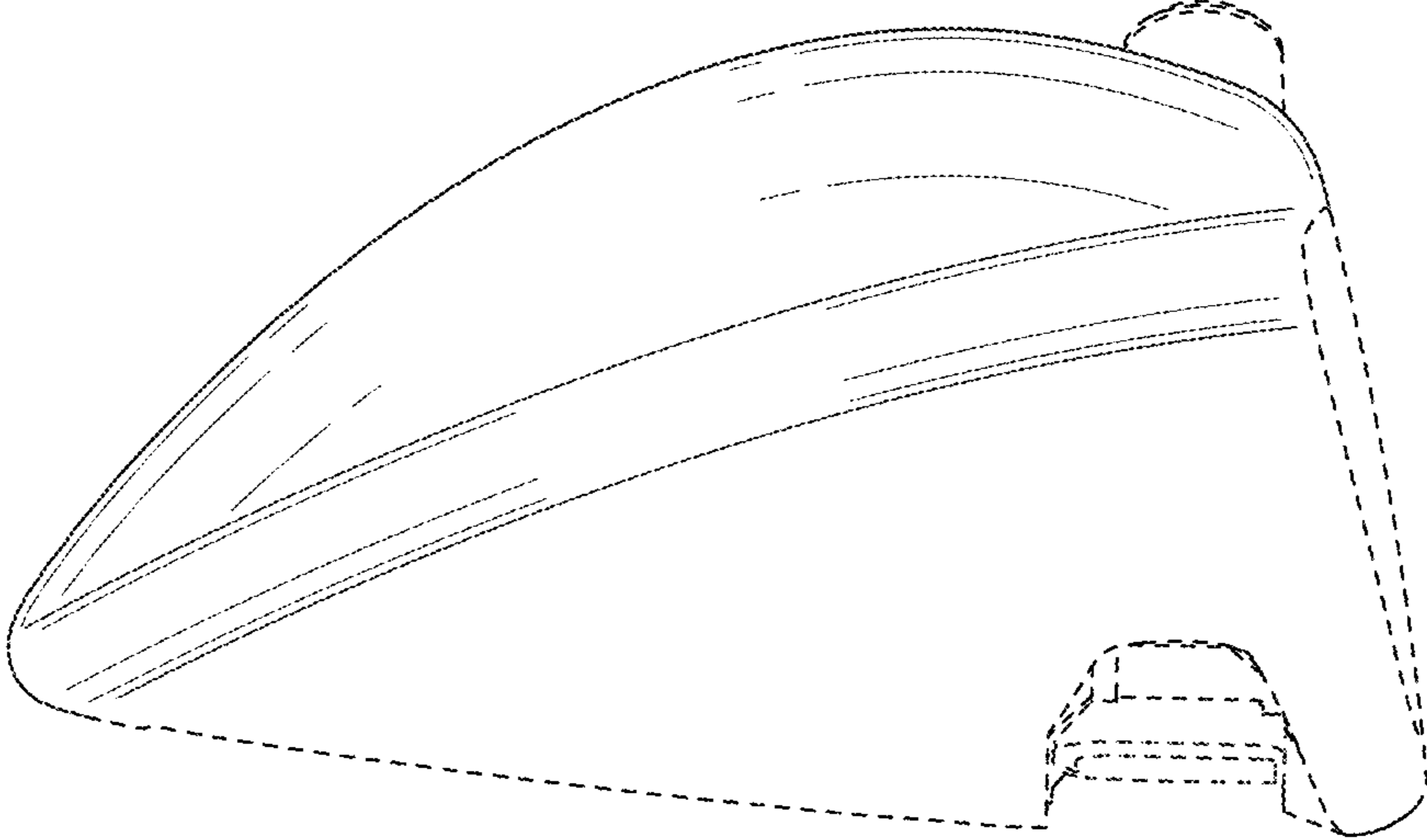


FIG. 4

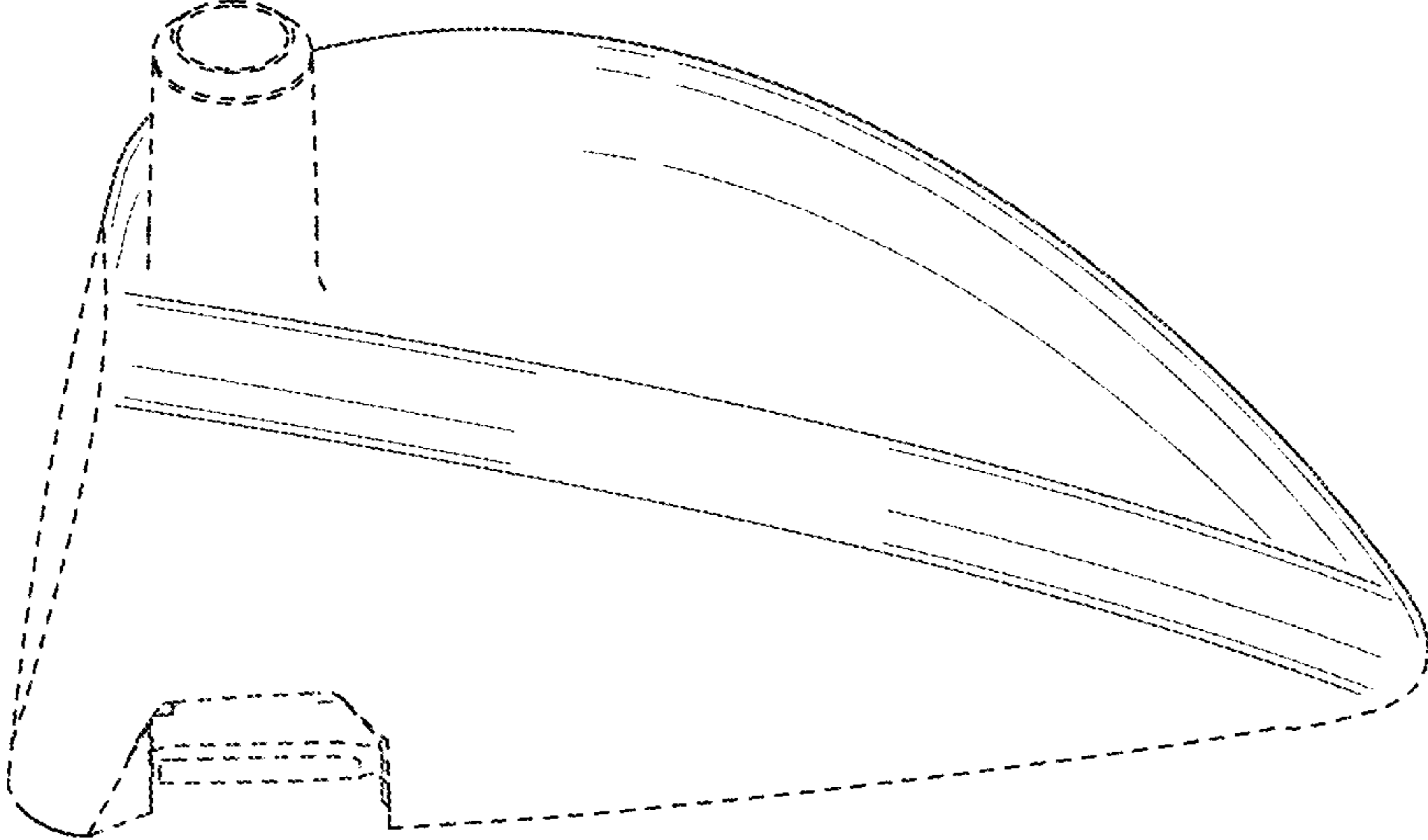


FIG. 5

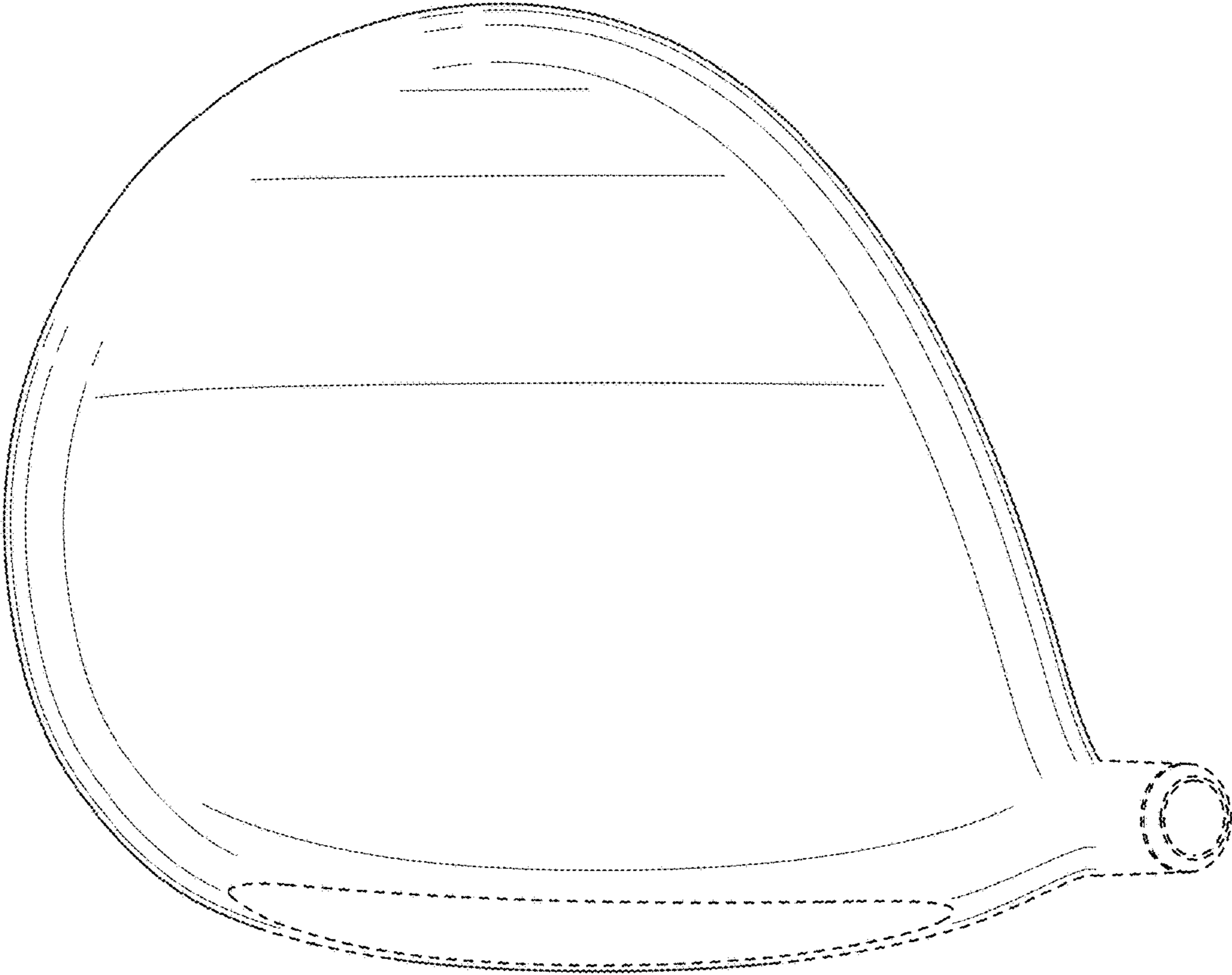


FIG. 6

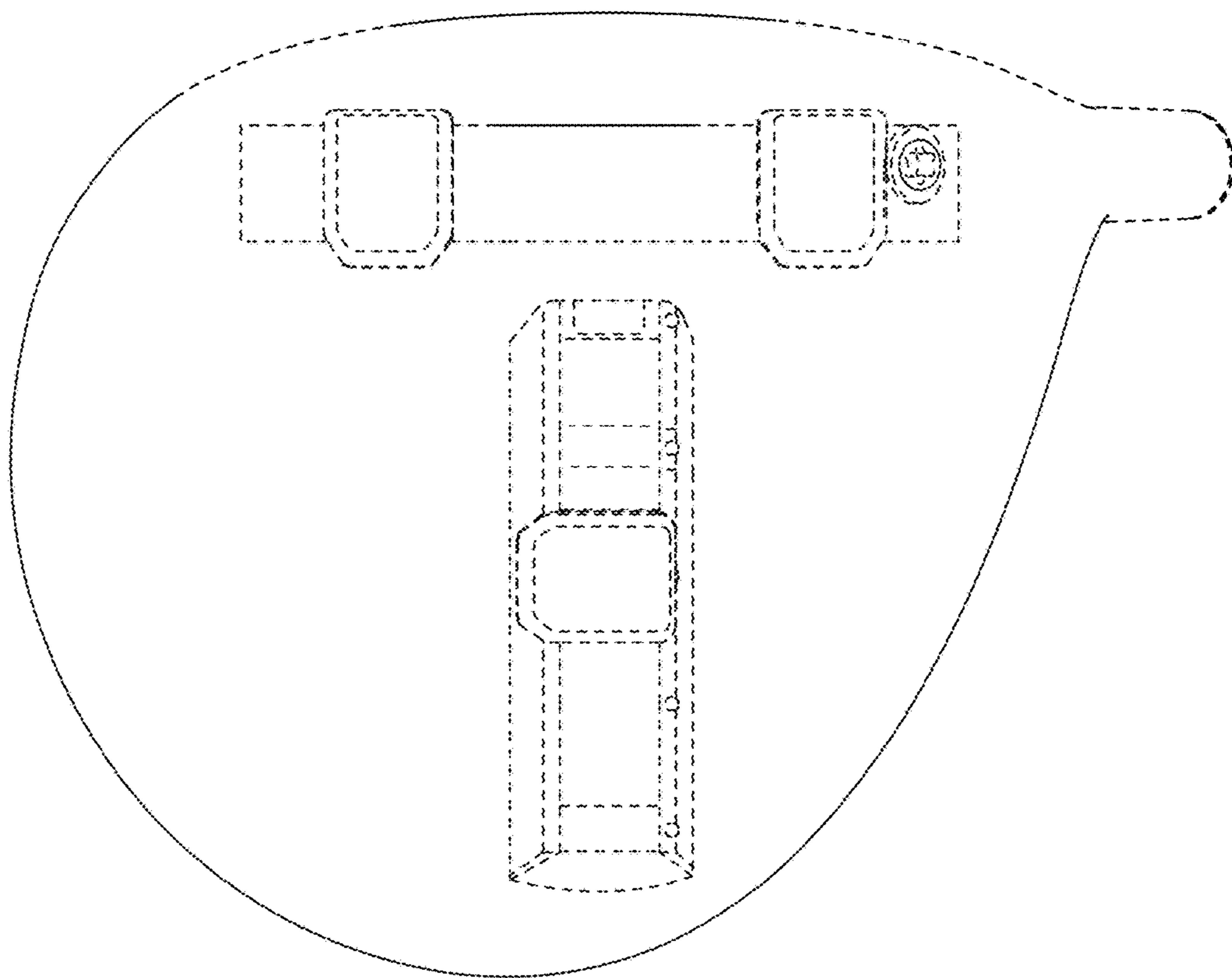


FIG. 7