



US00D845411S

(12) **United States Design Patent** (10) **Patent No.:** **US D845,411 S**
Cameron (45) **Date of Patent:** **** Apr. 9, 2019**

(54) **GOLF CLUB HEAD**

(71) Applicant: **Acushnet Company**, Fairhaven, MA (US)

(72) Inventor: **Don T. Cameron**, Carlsbad, CA (US)

(73) Assignee: **Acushnet Company**, Fairhaven, MA (US)

(**) Term: **15 Years**

(21) Appl. No.: **29/595,682**

(22) Filed: **Mar. 1, 2017**

(51) **LOC (11) Cl.** **21-02**

(52) **U.S. Cl.**
USPC **D21/742**

(58) **Field of Classification Search**
USPC D21/386, 736-746, 759; D8/376;
D7/683; D28/65
CPC A63B 53/00; A63B 53/04; A63B 53/007;
A63B 53/065; A63B 53/0487; A63B
60/00; A63B 60/46
See application file for complete search history.

(56) **References Cited**

U.S. PATENT DOCUMENTS

- 3,292,928 A * 12/1966 Billen A63B 69/3685
473/244
- 4,291,883 A * 9/1981 Smart A63B 69/3685
473/244
- 4,514,784 A * 4/1985 Williams H01R 12/52
361/716
- D285,818 S * 9/1986 Moore D21/741
- 4,979,705 A * 12/1990 Bovitz B65B 67/1238
209/937
- 5,213,332 A * 5/1993 Fahy A63B 69/3685
473/243
- 5,489,097 A * 2/1996 Simmons A63B 53/0487
473/326
- 5,980,595 A * 11/1999 Andrews C10L 5/40
44/530
- D464,696 S * 10/2002 Long D21/759

- D471,610 S * 3/2003 Mugica D21/759
- D554,982 S * 11/2007 Wenck D8/376
- 8,182,370 B1 * 5/2012 Neel, III A63B 69/3667
473/218
- D742,980 S * 11/2015 Cameron D21/759
- 9,238,166 B1 * 1/2016 Vesligaj A63B 69/3685
- 9,259,635 B2 * 2/2016 Downing A63B 57/40

(Continued)

OTHER PUBLICATIONS

<https://www.cormsquare.com/Civil-Hardware-Materials/Hardware-materials/11022/Tamping-rod-> ; Tamping Rod (p. 5); copyright 2016.*

(Continued)

Primary Examiner — Mitchell I. Siegel
(74) *Attorney, Agent, or Firm* — Randy K. Chang

(57) **CLAIM**

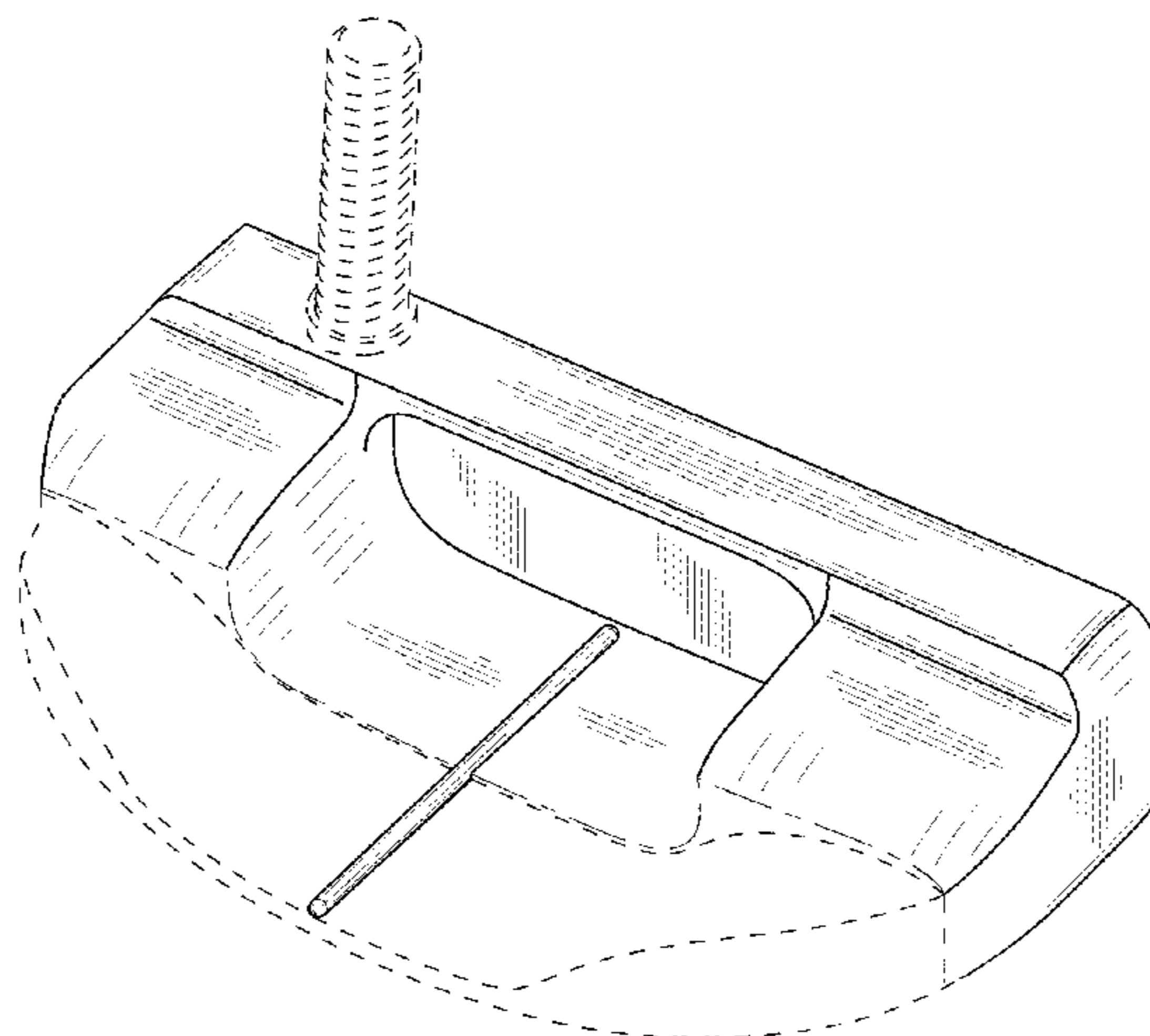
The ornamental design for a golf club head, as shown and described.

DESCRIPTION

FIG. 1 is a perspective back view of my new design for a golf club head;
FIG. 2 is a back view thereof;
FIG. 3 is a cross section view taken along the cross-sectional line 3-3 in FIG. 2 thereof;
FIG. 4 is a heel view thereof;
FIG. 5 is a toe view thereof;
FIG. 6 is a top view thereof;
FIG. 7 is a front view thereof; and,
FIG. 8 is a bottom sole view thereof.

The broken lines representing the hosel portion and portions of the golf club head are included for the purpose of illustrating and form no part of the claimed design. The long-short dash lines on the golf club head are representative of the boundary lines.

1 Claim, 4 Drawing Sheets



(56)

References Cited

U.S. PATENT DOCUMENTS

D776,219 S * 1/2017 Sheldon D21/759
9,636,562 B2 * 5/2017 Way A63B 69/0057
9,662,559 B2 * 5/2017 Strand A63B 69/3608
D799,618 S * 10/2017 Becktor D21/759
2006/0260769 A1 * 11/2006 Nien A47H 1/00
160/330

OTHER PUBLICATIONS

<http://www.amazon.com>; Glass Stirring Rods; 200mm (8 in); Review
Jul. 23, 2012.*

* cited by examiner

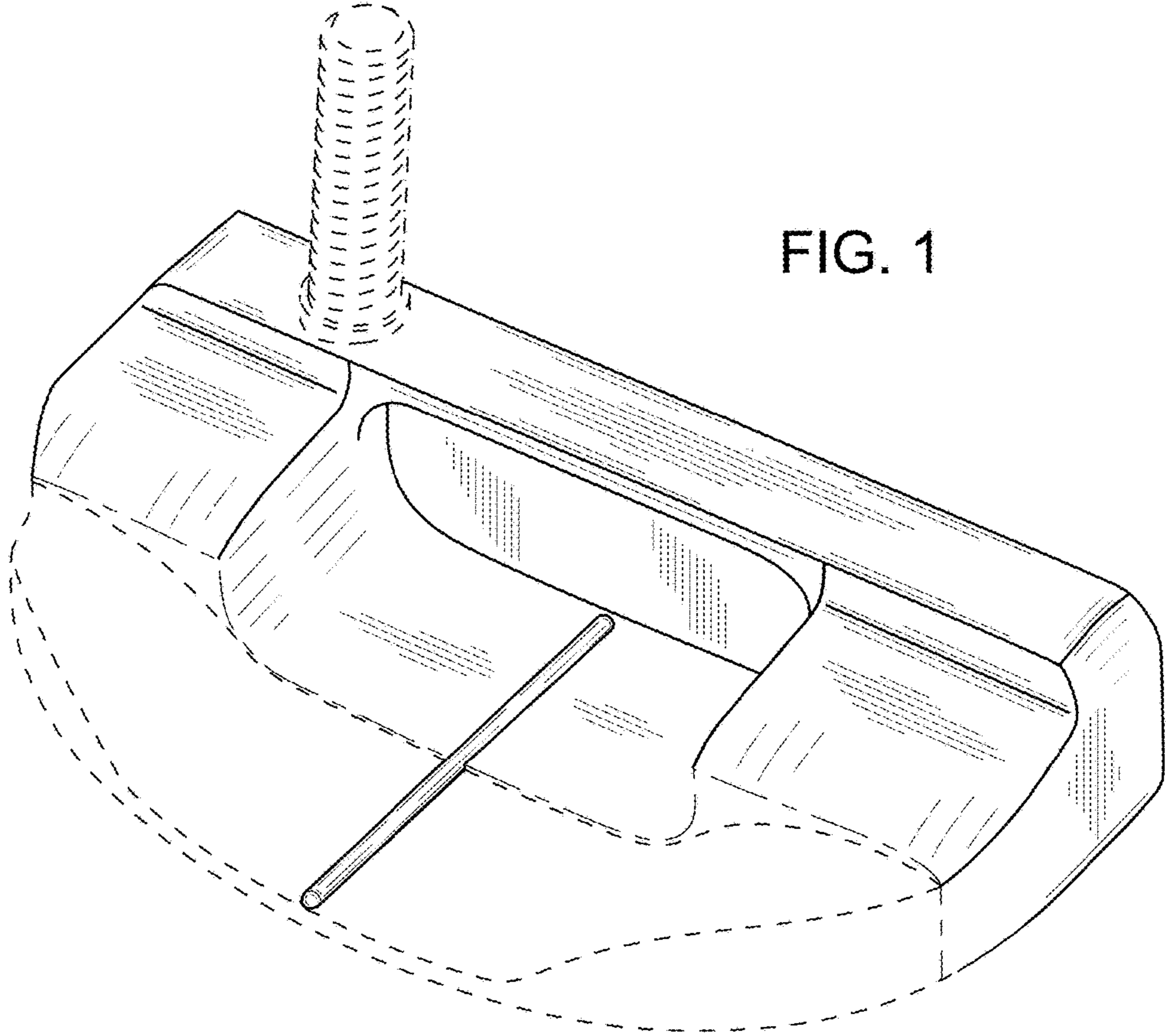


FIG. 1

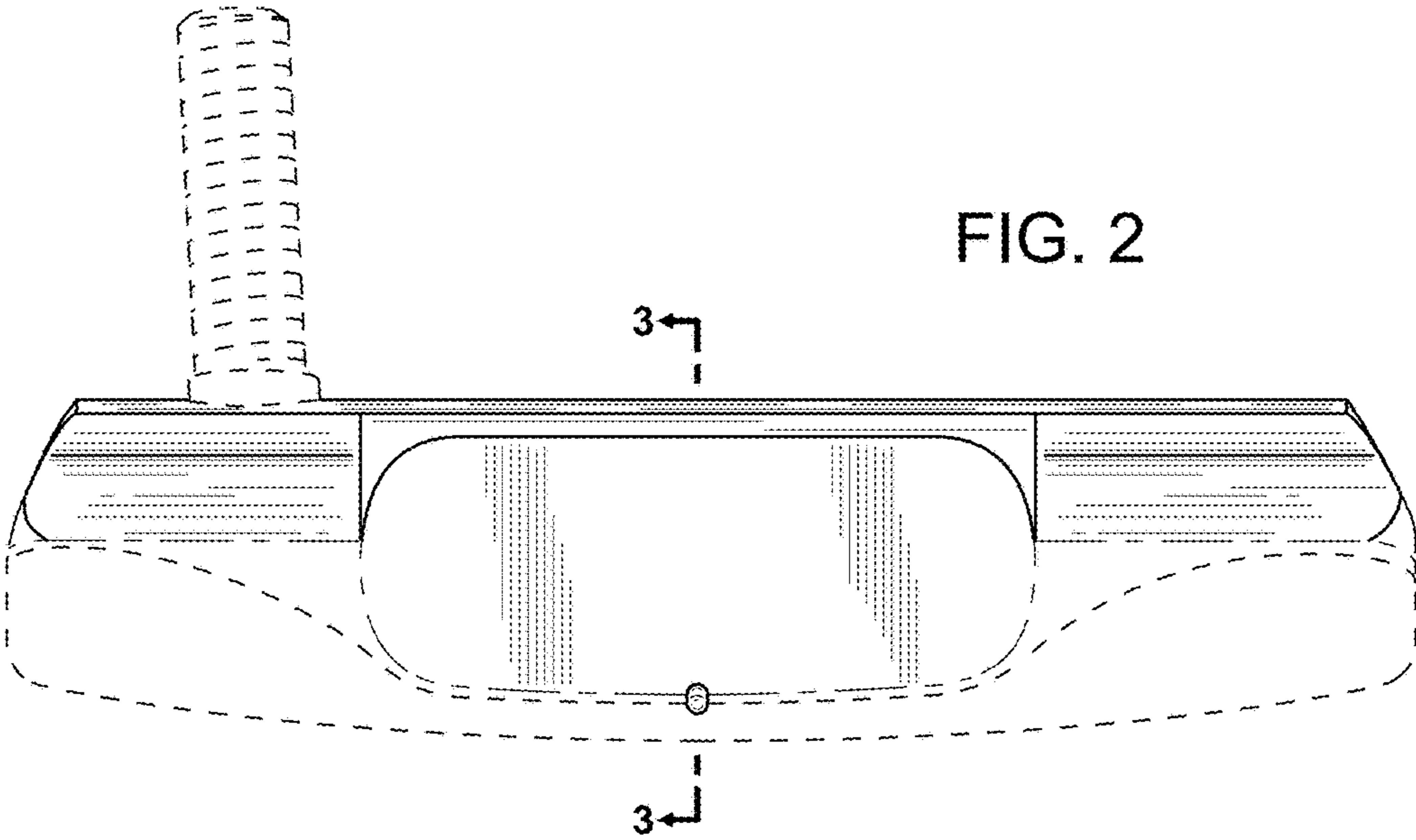


FIG. 2

FIG. 3

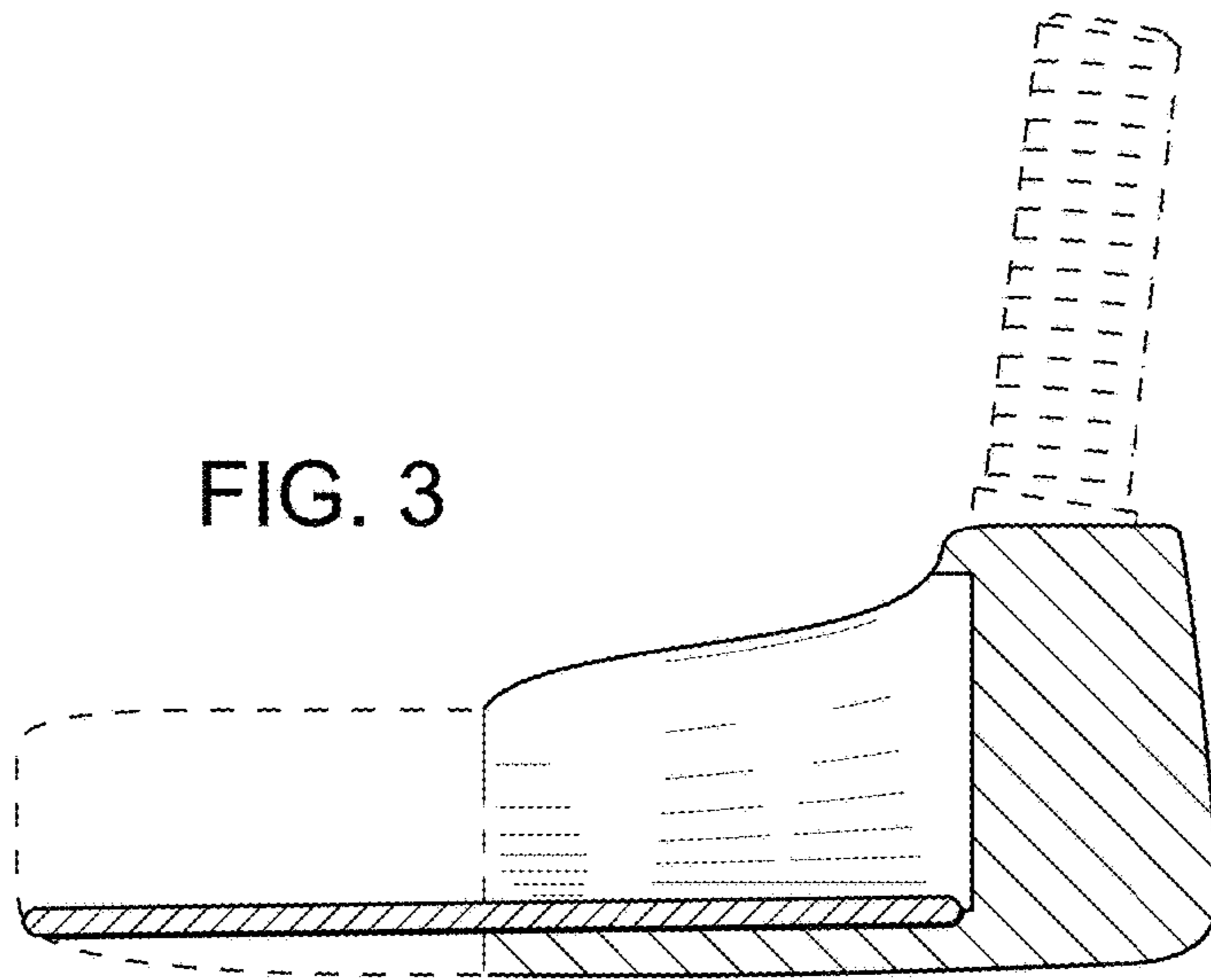


FIG. 4

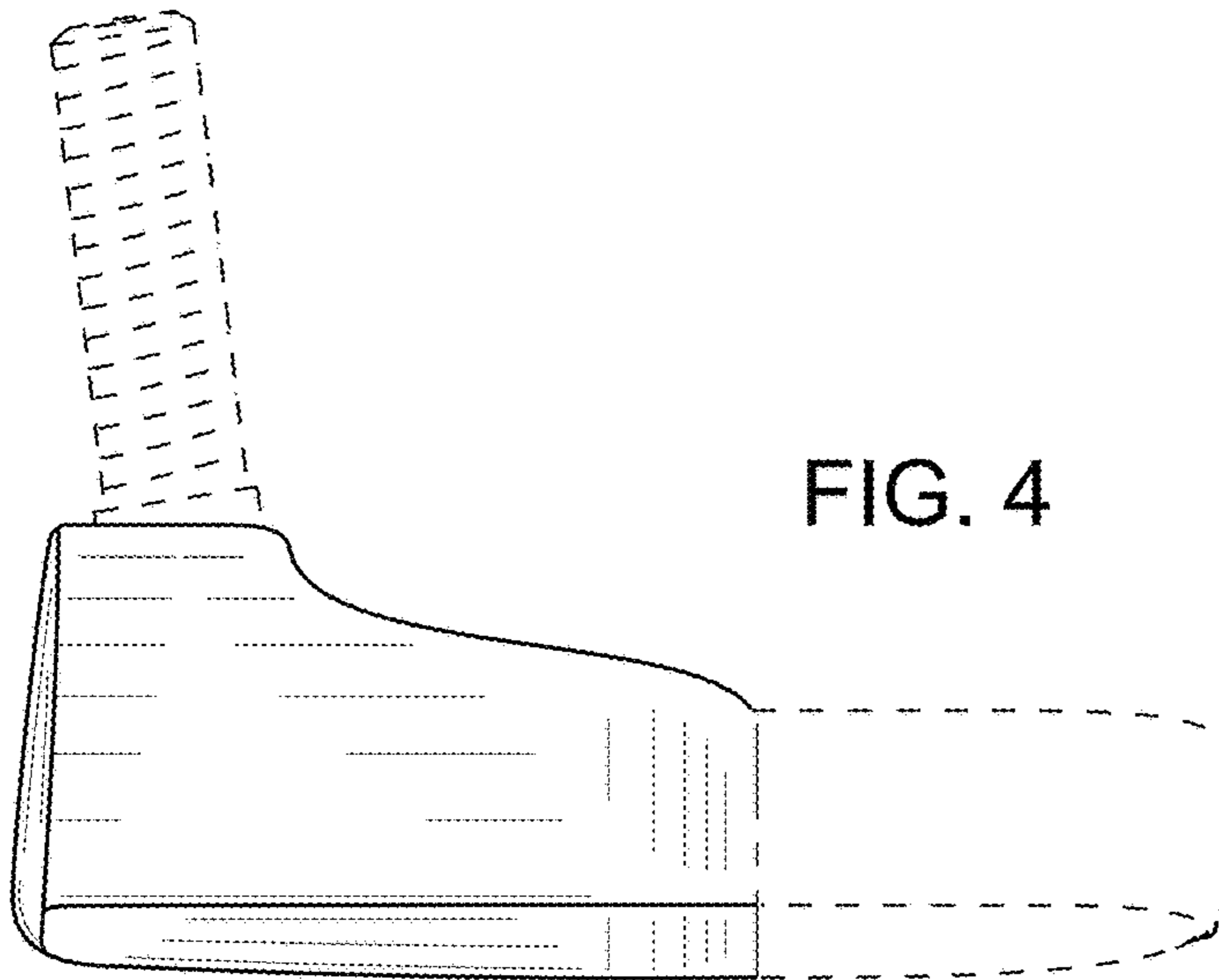


FIG. 5

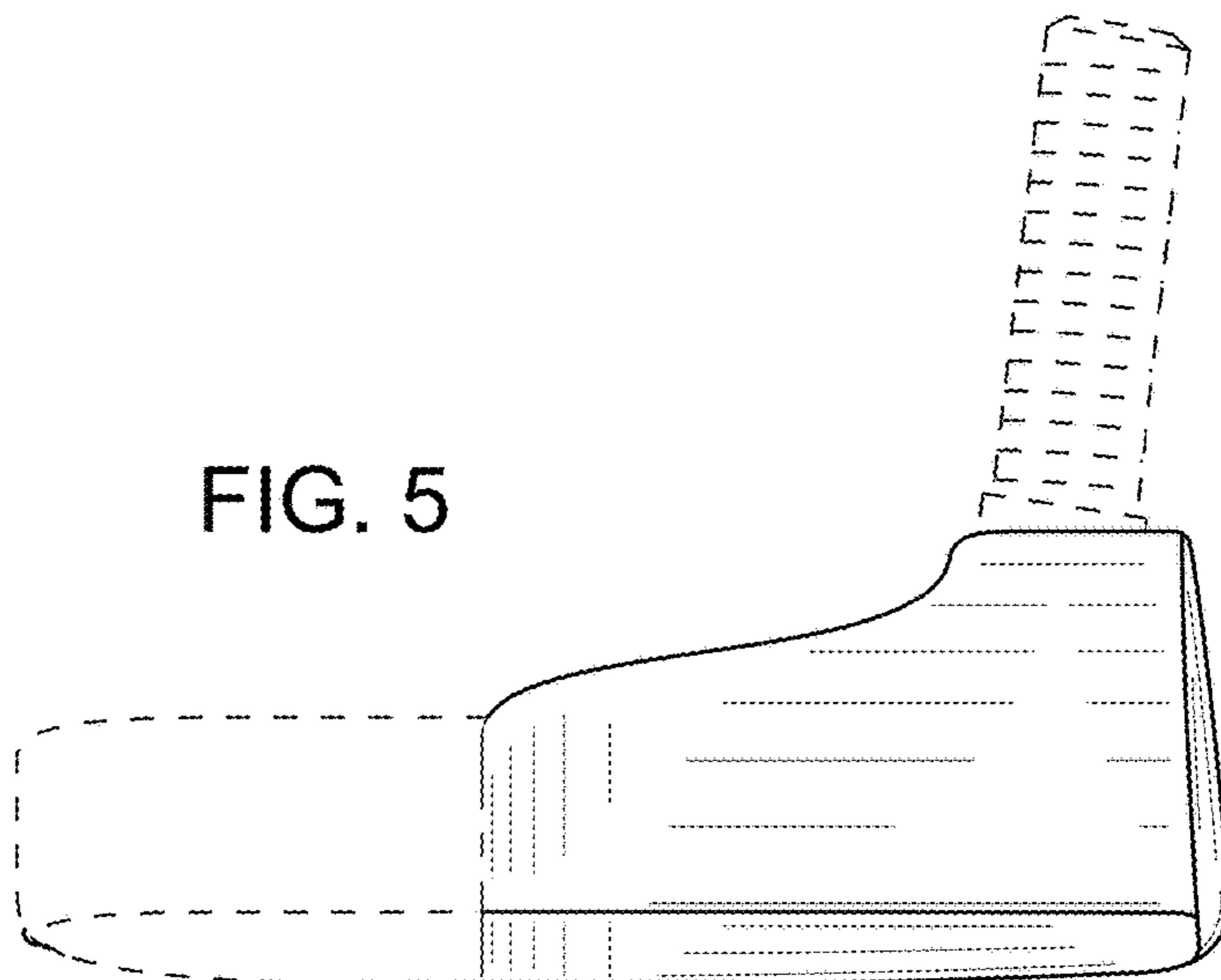


FIG. 6

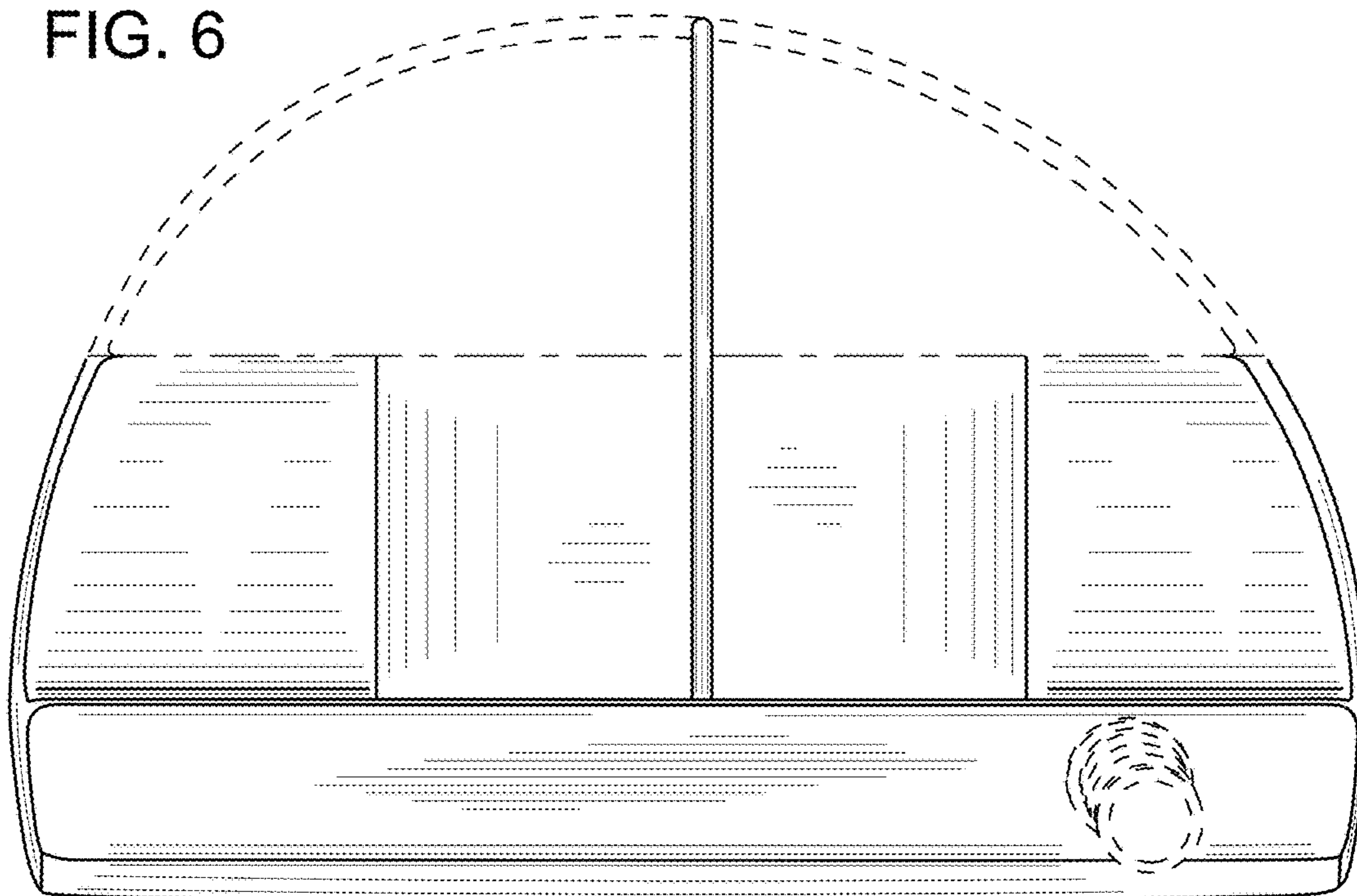


FIG. 7

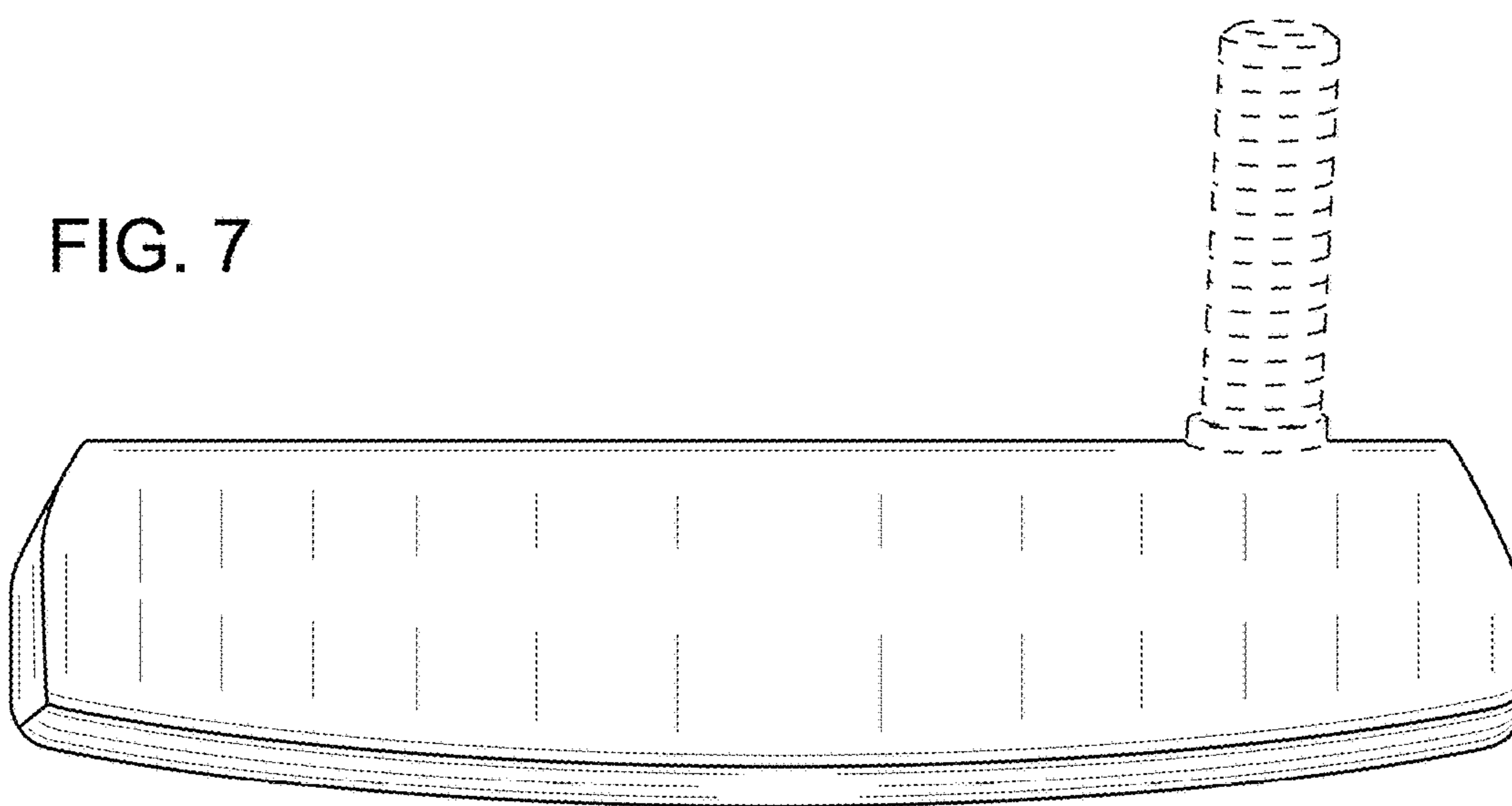


FIG. 8

